



US00D571677S

(12) **United States Design Patent**
Oas

(10) **Patent No.:** **US D571,677 S**
(45) **Date of Patent:** **** *Jun. 24, 2008**

(54) **PEDOMETER**

(76) Inventor: **Daniel Oas**, 6250 N. Irwindale Ave.,
Irwindale, CA (US) 91702

(*) Notice: This patent is subject to a terminal disclaimer.

(**) Term: **14 Years**

(21) Appl. No.: **29/273,671**

(22) Filed: **Mar. 7, 2007**

(51) **LOC (8) Cl.** **10-04**

(52) **U.S. Cl.** **D10/70**

(58) **Field of Classification Search** D10/70;
235/95 C, 105; 377/5, 24.2, 26; 702/144,
702/160, 176

See application file for complete search history.

(56) **References Cited**

U.S. PATENT DOCUMENTS

5,117,444	A *	5/1992	Sutton et al.	377/24.2
D363,069	S *	10/1995	Bro	D14/191
D375,695	S *	11/1996	Narai	D10/70
5,650,982	A *	7/1997	Takenaka et al.	368/10
6,349,126	B2 *	2/2002	Ogawa et al.	377/24.2
6,614,352	B2 *	9/2003	Pellet et al.	702/160
6,674,832	B2 *	1/2004	Yusa	377/24.2
D491,479	S *	6/2004	Hsu	D10/70

D504,632	S *	5/2005	Nishiura et al.	D10/97
D511,699	S *	11/2005	Pan	D10/70
7,023,422	B2 *	4/2006	Haraguchi	377/24.2
D528,025	S *	9/2006	Tien	D10/70
D546,215	S *	7/2007	Sandy et al.	D10/70

* cited by examiner

Primary Examiner—Antoine D. Davis
(74) *Attorney, Agent, or Firm*—Edgar W. Averill, Jr.; Kenneth L. Green

(57) **CLAIM**

The ornamental design for a pedometer, as shown.

DESCRIPTION

FIG. 1 is a perspective view showing the top and right side with the cover opened of the pedometer showing my new design.

FIG. 2 is a top view thereof with the cover open.

FIG. 3 is a right side view thereof with the cover open.

FIG. 4 is a left side view thereof with the cover open.

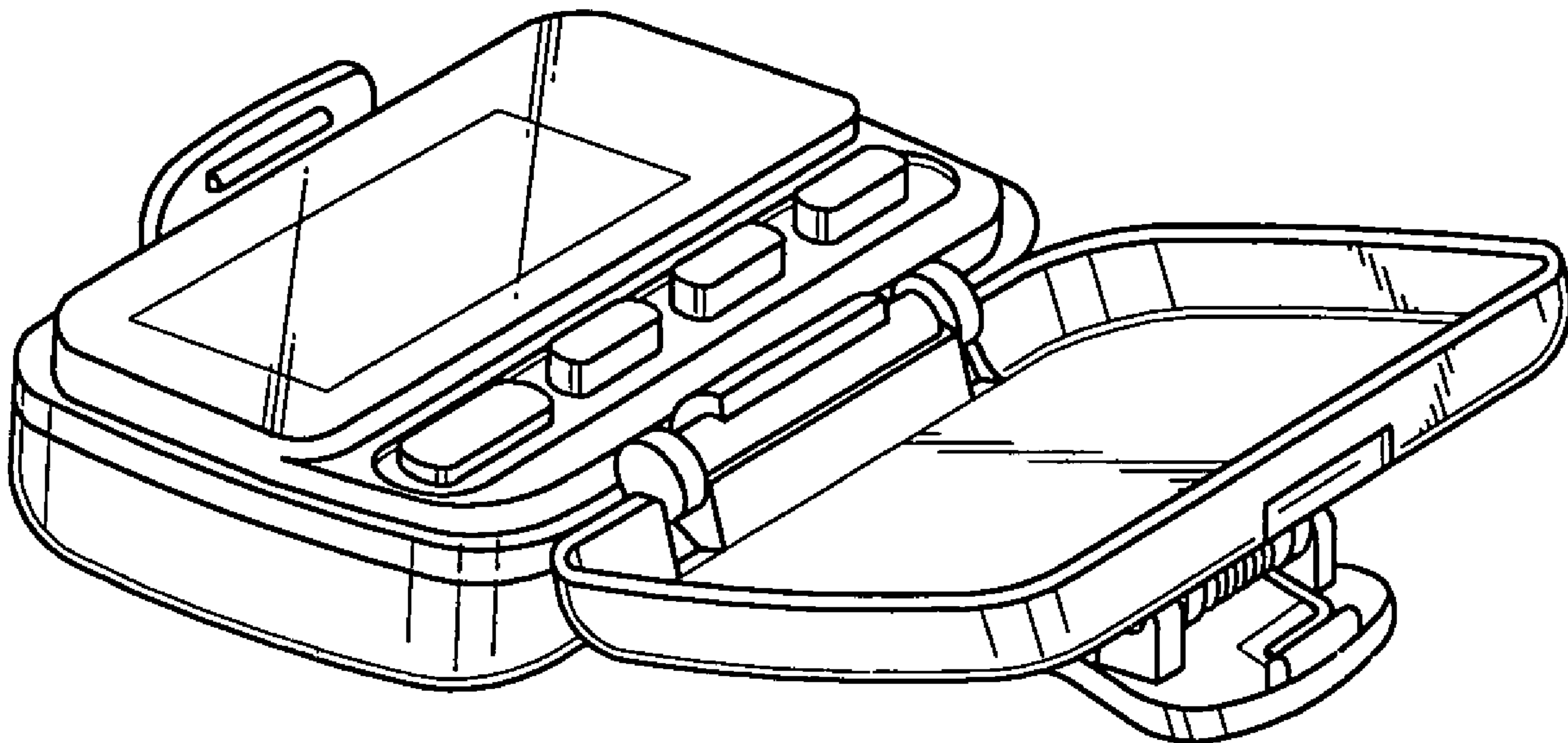
FIG. 5 is a front side view thereof with the cover closed.

FIG. 6 is a rear view thereof with the cover closed.

FIG. 7 is a bottom view thereof with the cover open; and,

FIG. 8 is a top view thereof with the cover closed.

1 Claim, 2 Drawing Sheets



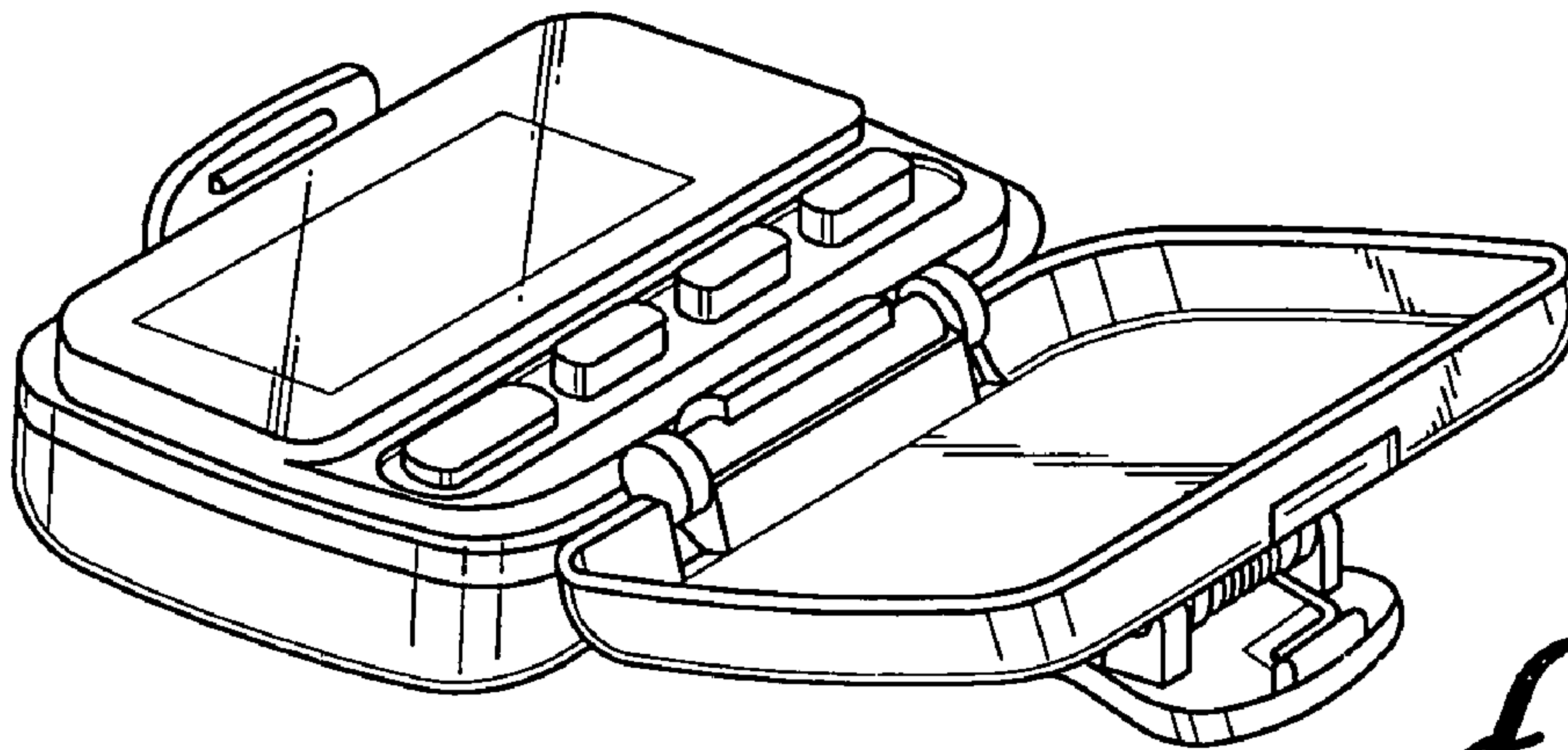


FIG. 1

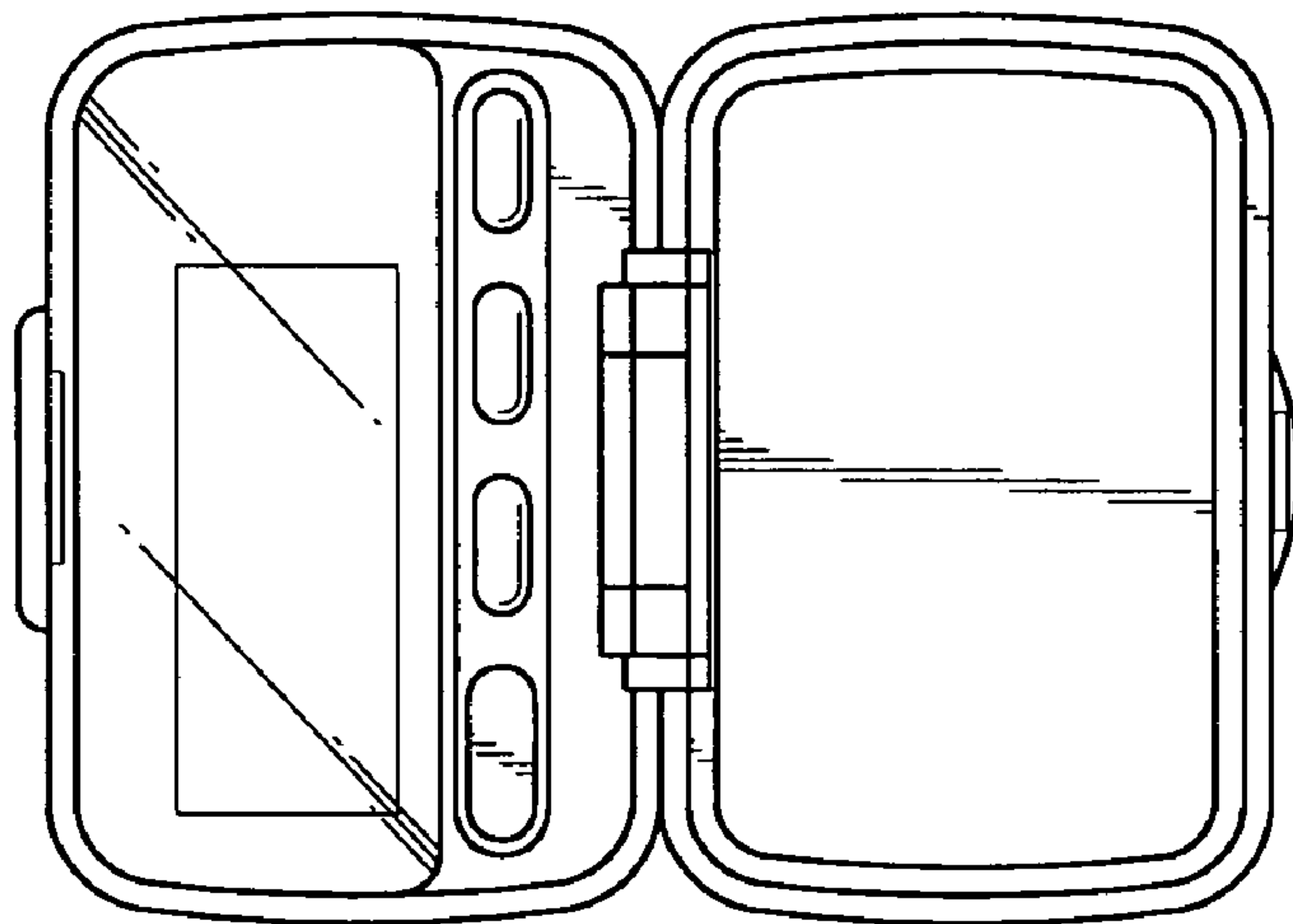


FIG. 2

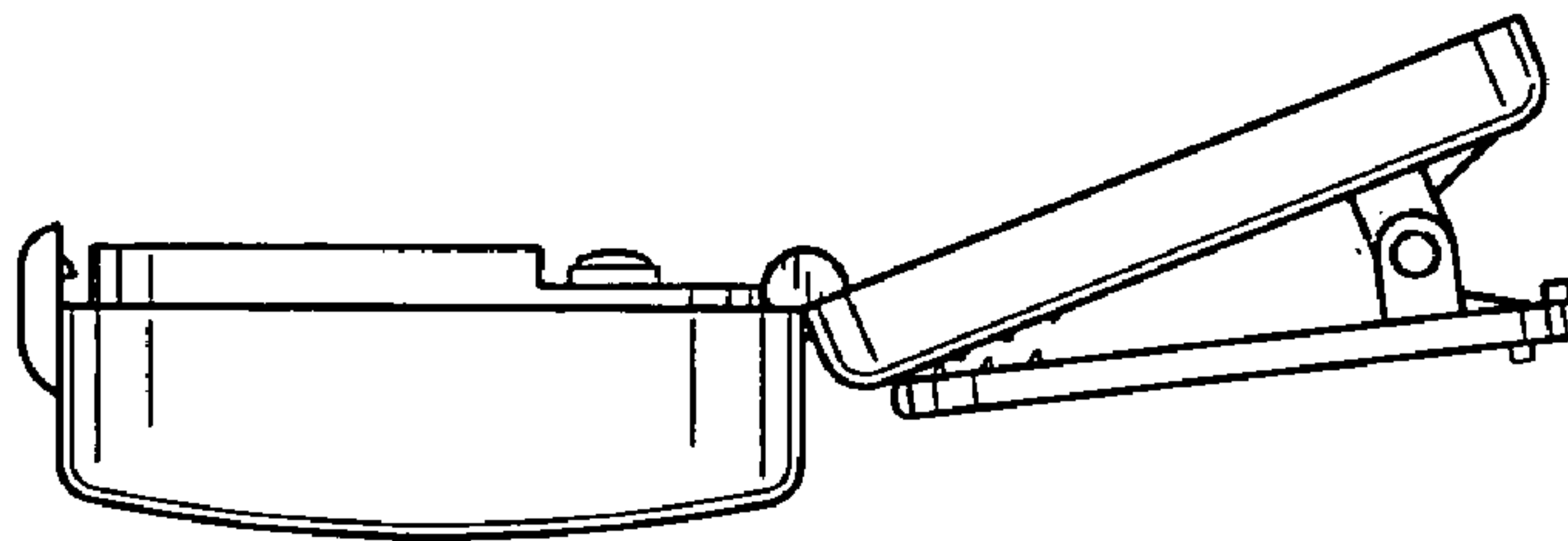


FIG. 3

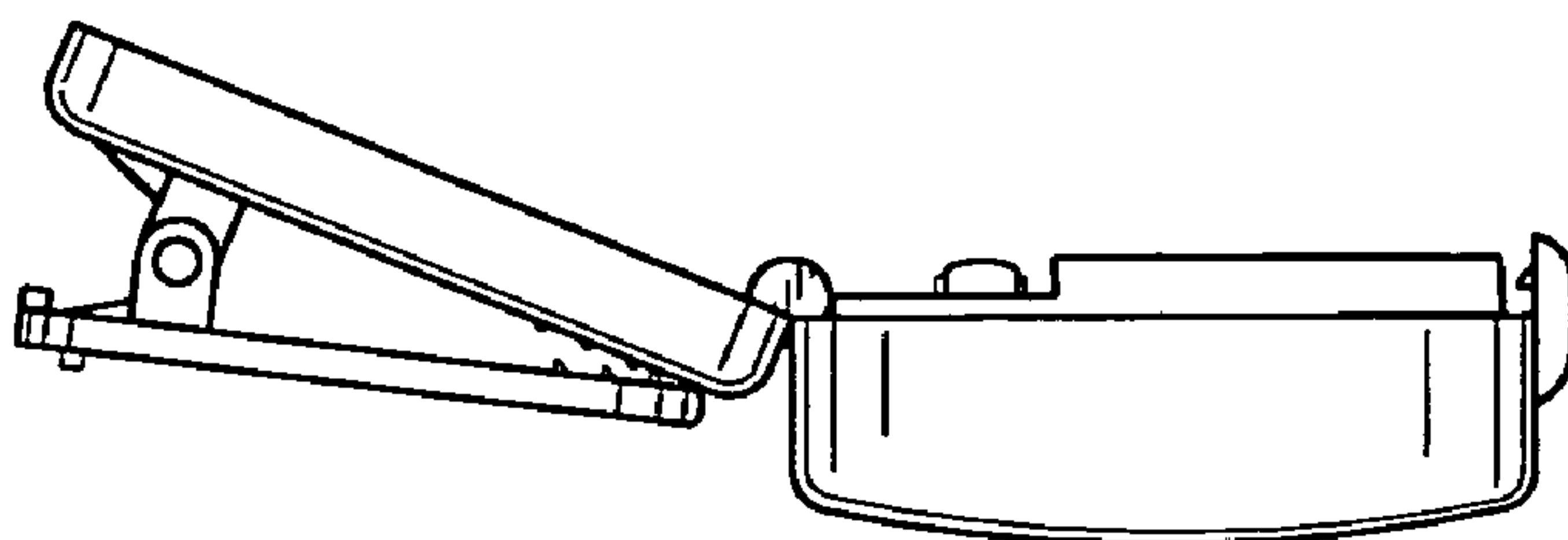


FIG. 4

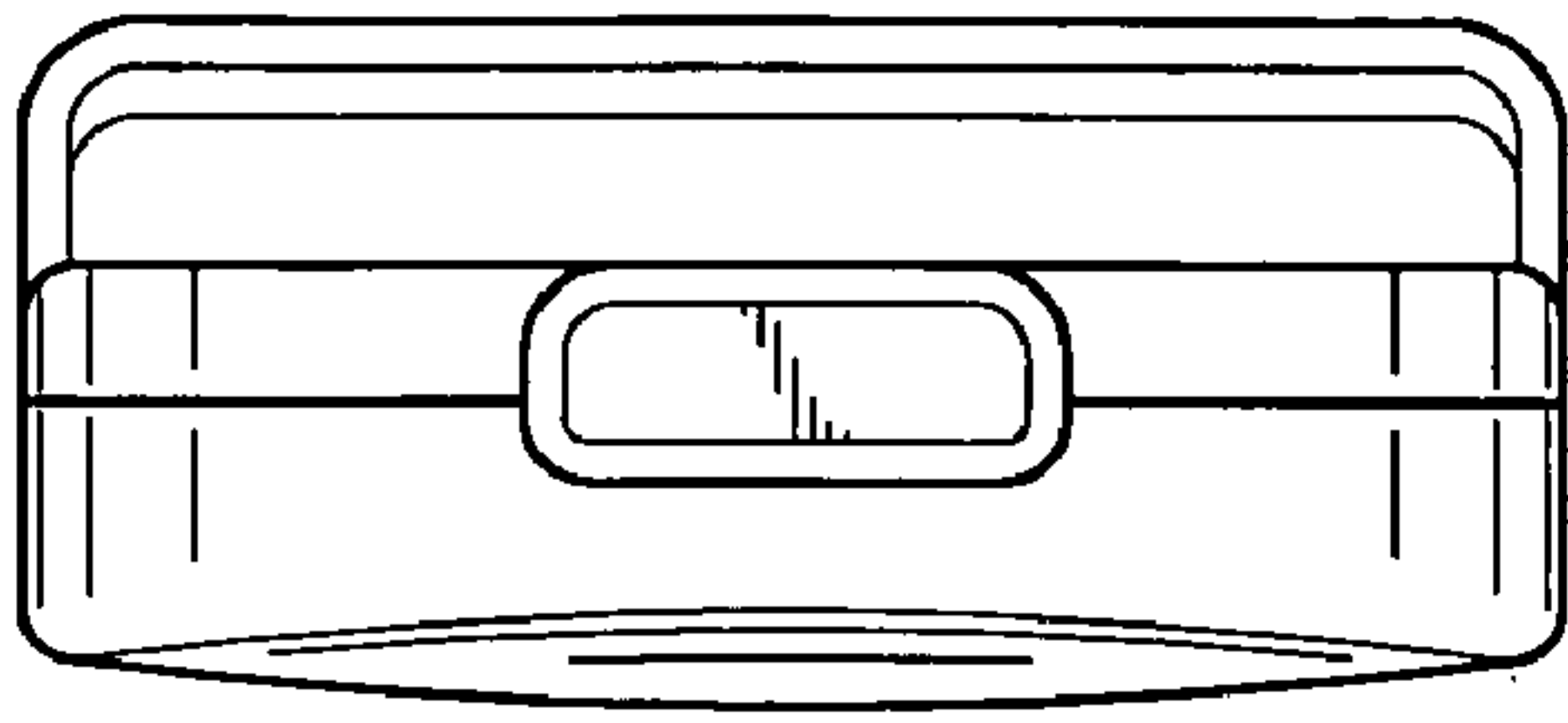


FIG. 5

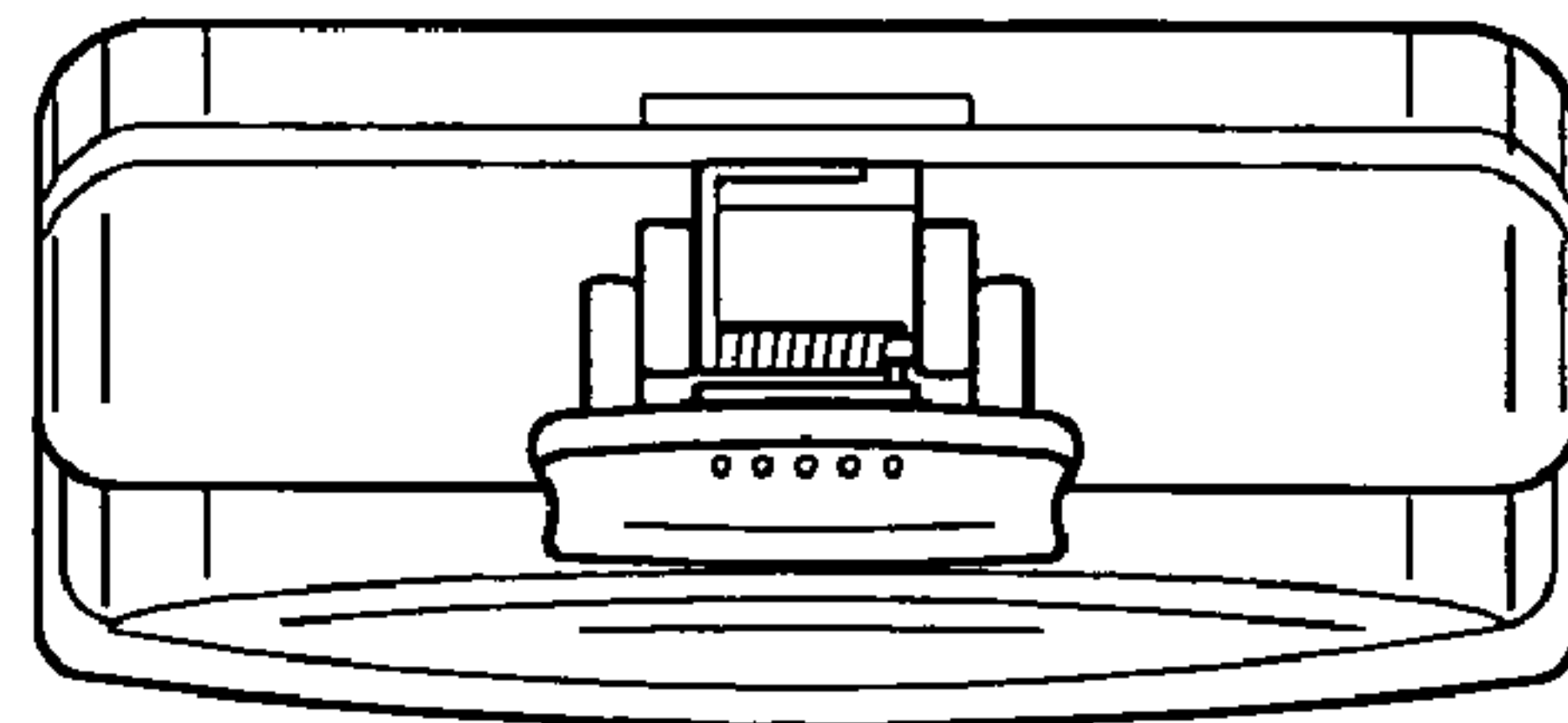


FIG. 6

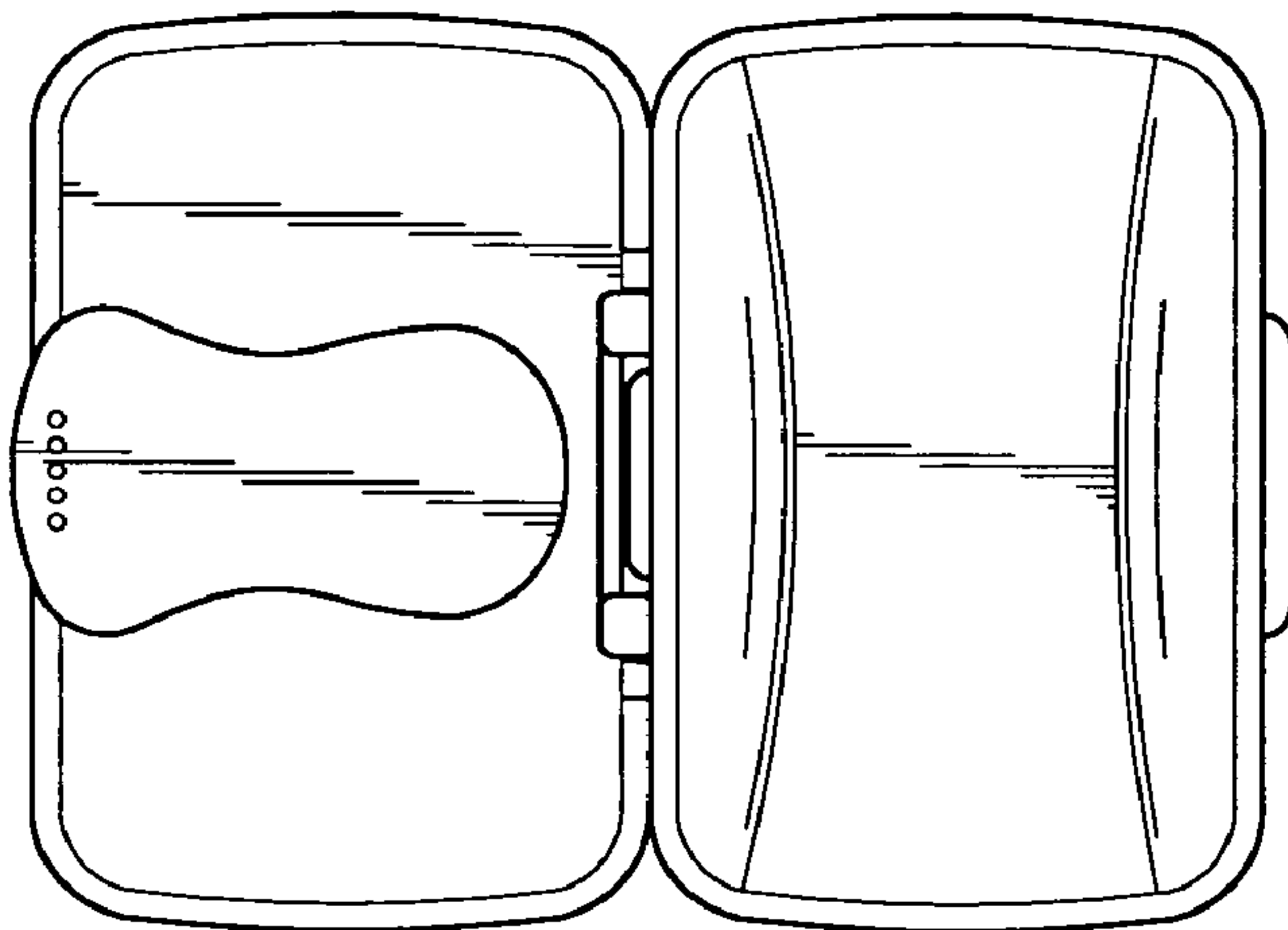


FIG. 7

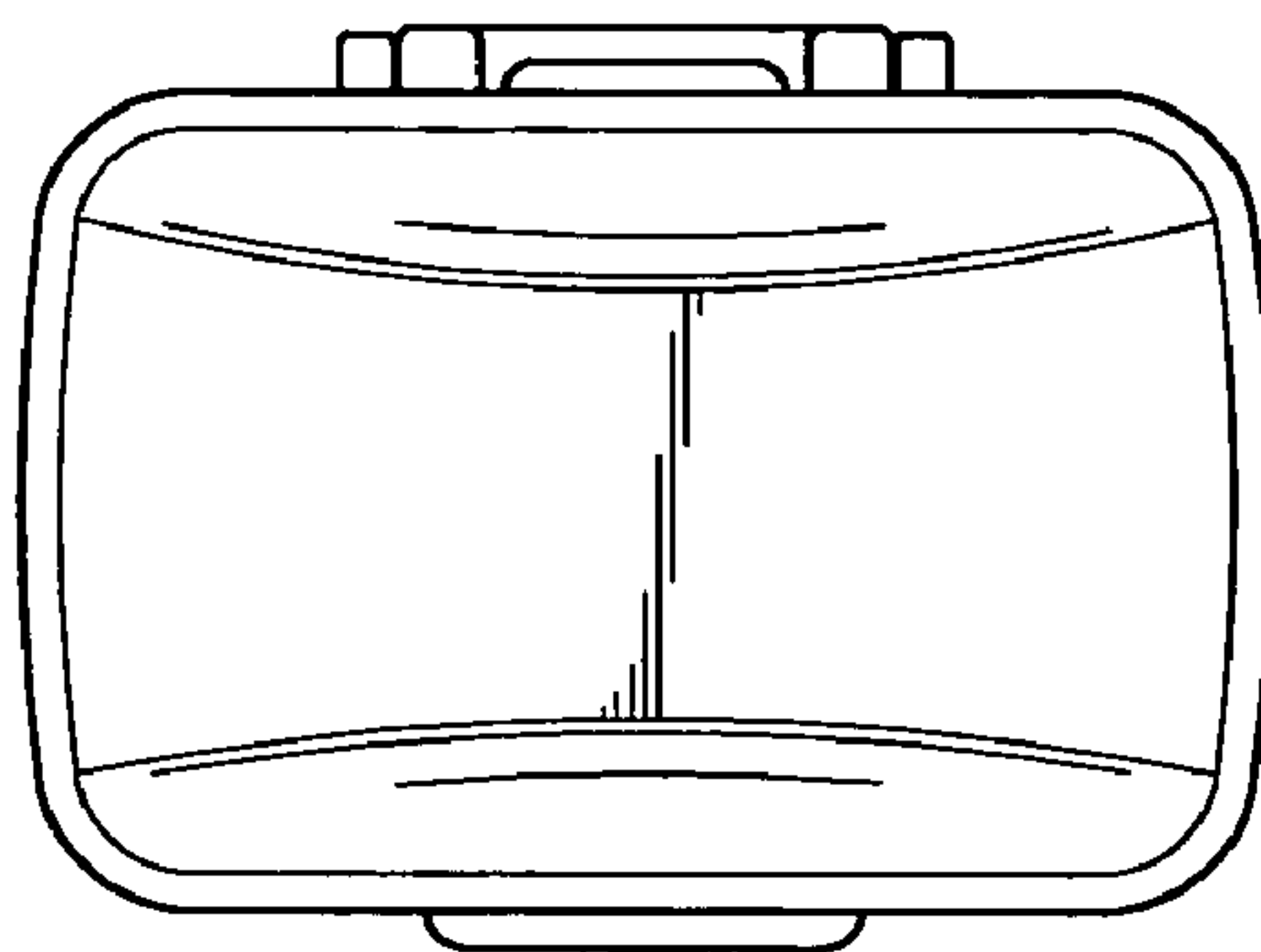


FIG. 8