



US00D571674S

(12) **United States Design Patent**
Carallo

(10) **Patent No.:** **US D571,674 S**
(45) **Date of Patent:** **** Jun. 24, 2008**

(54) **MEASURING CUP**

(76) Inventor: **Nunzia Paola Carallo**, Corso Buenos Aires, 45, Milano (IT) 20124

(**) Term: **14 Years**

(21) Appl. No.: **29/278,684**

(22) Filed: **Apr. 5, 2007**

(30) **Foreign Application Priority Data**

Oct. 5, 2006 (HK) 0602564

(51) **LOC (8) Cl.** **10-03**

(52) **U.S. Cl.** **D10/46.2; D7/691**

(58) **Field of Classification Search** D7/691,
D7/566, 570, 602, 629; D10/46.2, 46.3;
30/324-328; 73/426-429; 294/1.1, 55
See application file for complete search history.

(56) **References Cited**

U.S. PATENT DOCUMENTS

- D213,719 S * 4/1969 Gerlich D10/46.2
- D259,462 S * 6/1981 Daenen et al. D10/46.2
- D396,011 S * 7/1998 Henriksson D10/46.2
- D511,437 S * 11/2005 Brown D7/602
- D518,391 S * 4/2006 McGuyer D10/46.2

* cited by examiner

Primary Examiner—Terry A Wallace

(74) *Attorney, Agent, or Firm*—Baker & McKenzie LLP

(57) **CLAIM**

The ornamental design for a measuring cup, as shown and described.

DESCRIPTION

FIG. 1 is a top view of the measuring cup in accordance with my design;

FIG. 2 is a side view of the measuring cup shown in FIG. 1, the opposite view being a mirror image thereof;

FIG. 3 is a bottom view of the measuring cup shown in FIGS. 1-2;

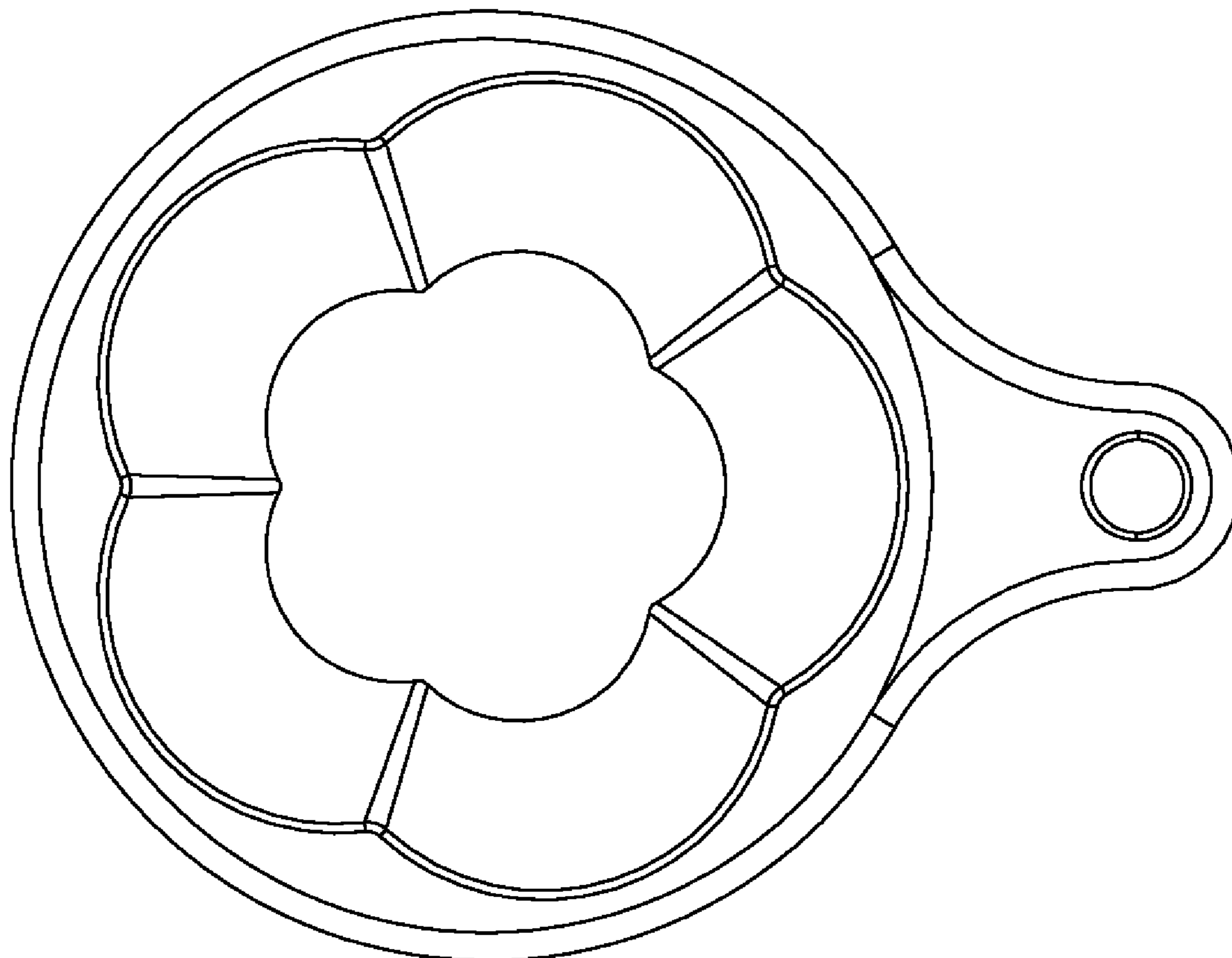
FIG. 4 is a front view of the measuring cup shown in FIGS. 1-3;

FIG. 5 is a rear view of the measuring cup shown in FIGS. 1-4;

FIG. 6 is a perspective top view of the measuring cup shown in FIGS. 1-5; and,

FIG. 7 is a perspective bottom view of the measuring cup shown in FIGS. 1-6.

1 Claim, 2 Drawing Sheets



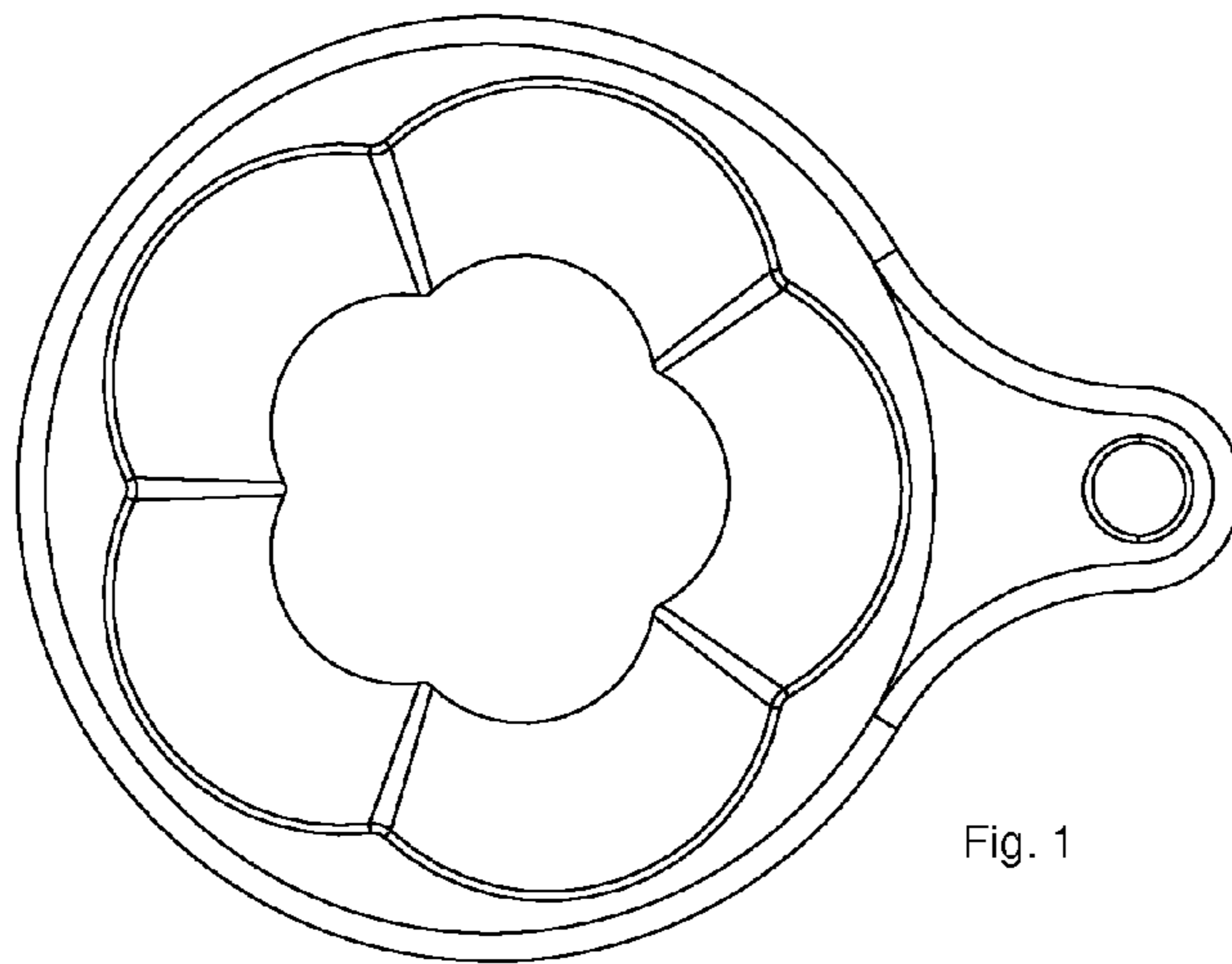


Fig. 1

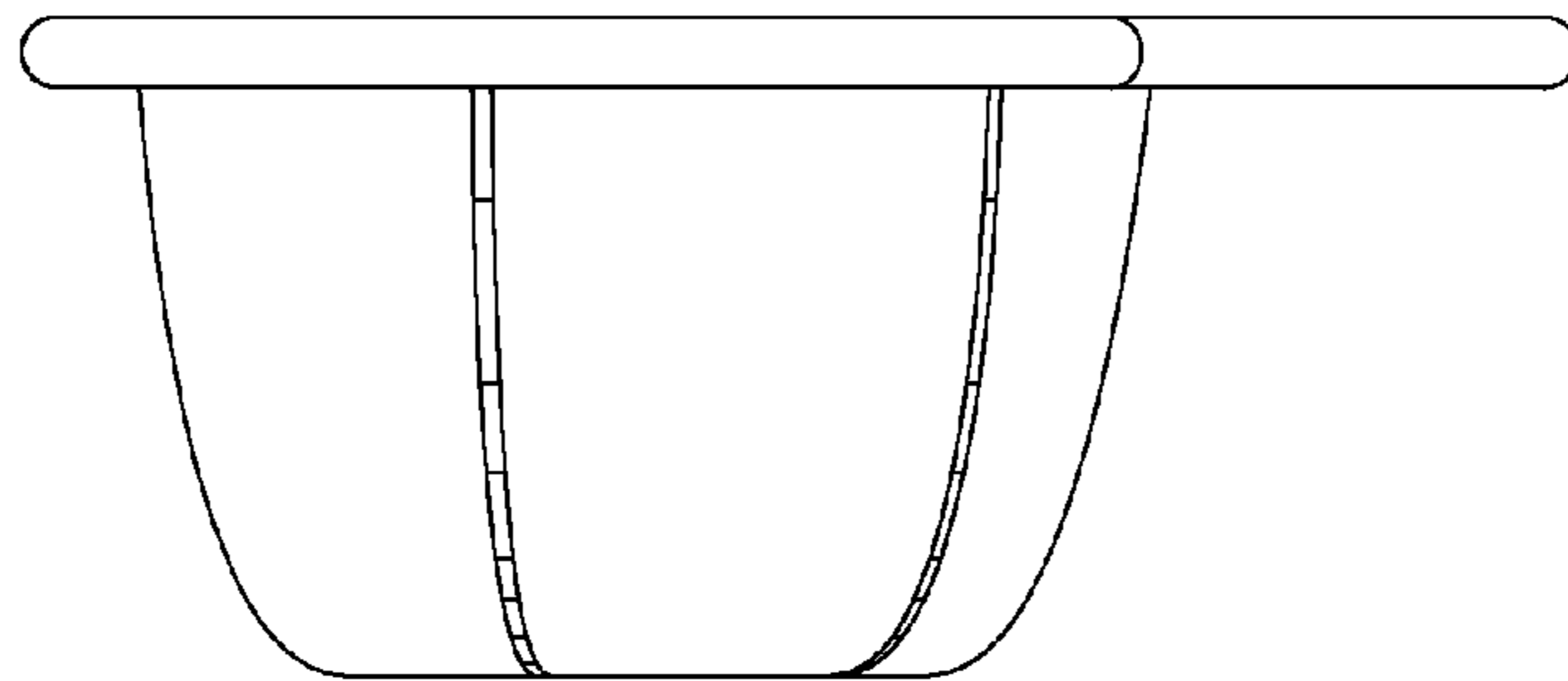


Fig. 2

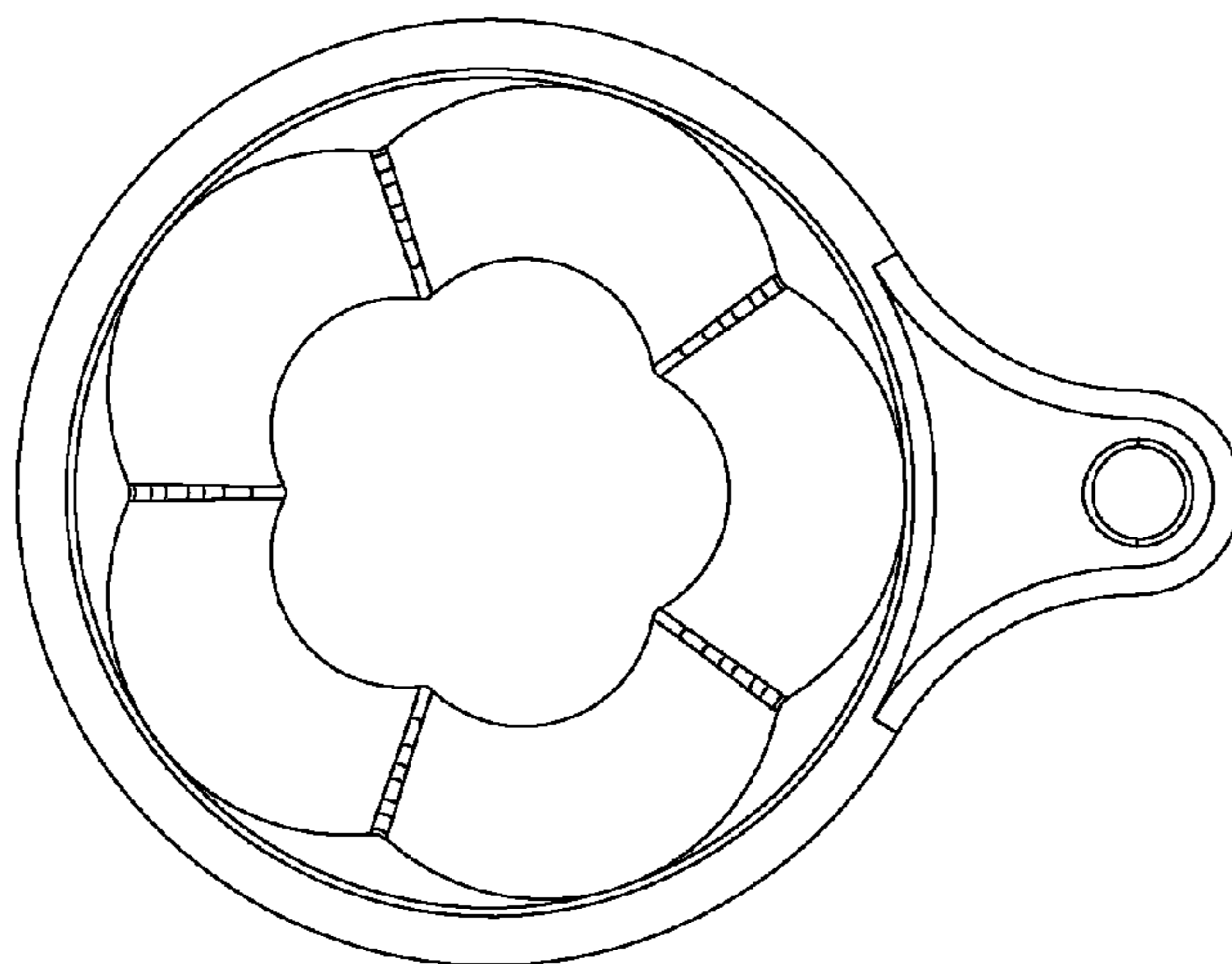


Fig. 3

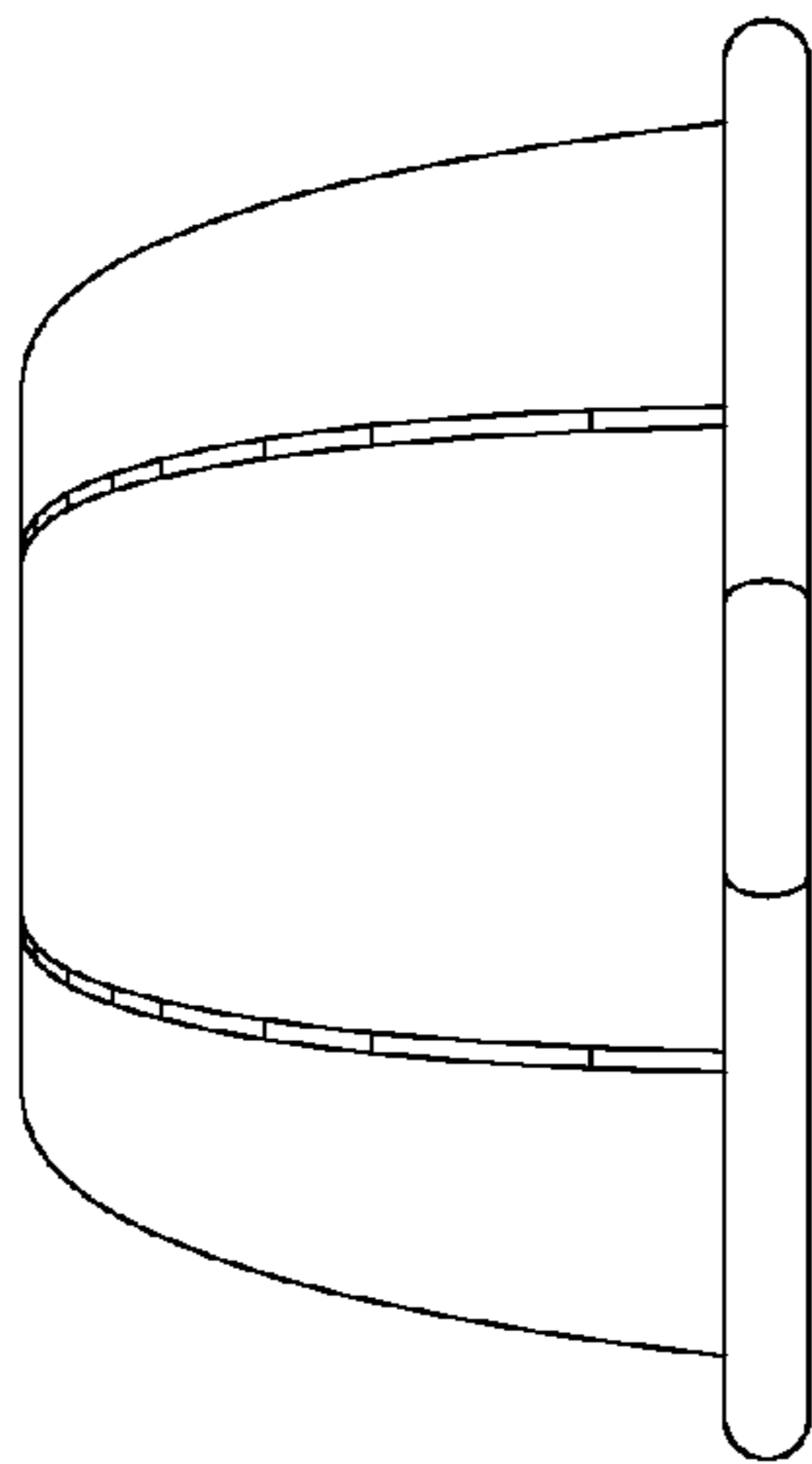


Fig. 5

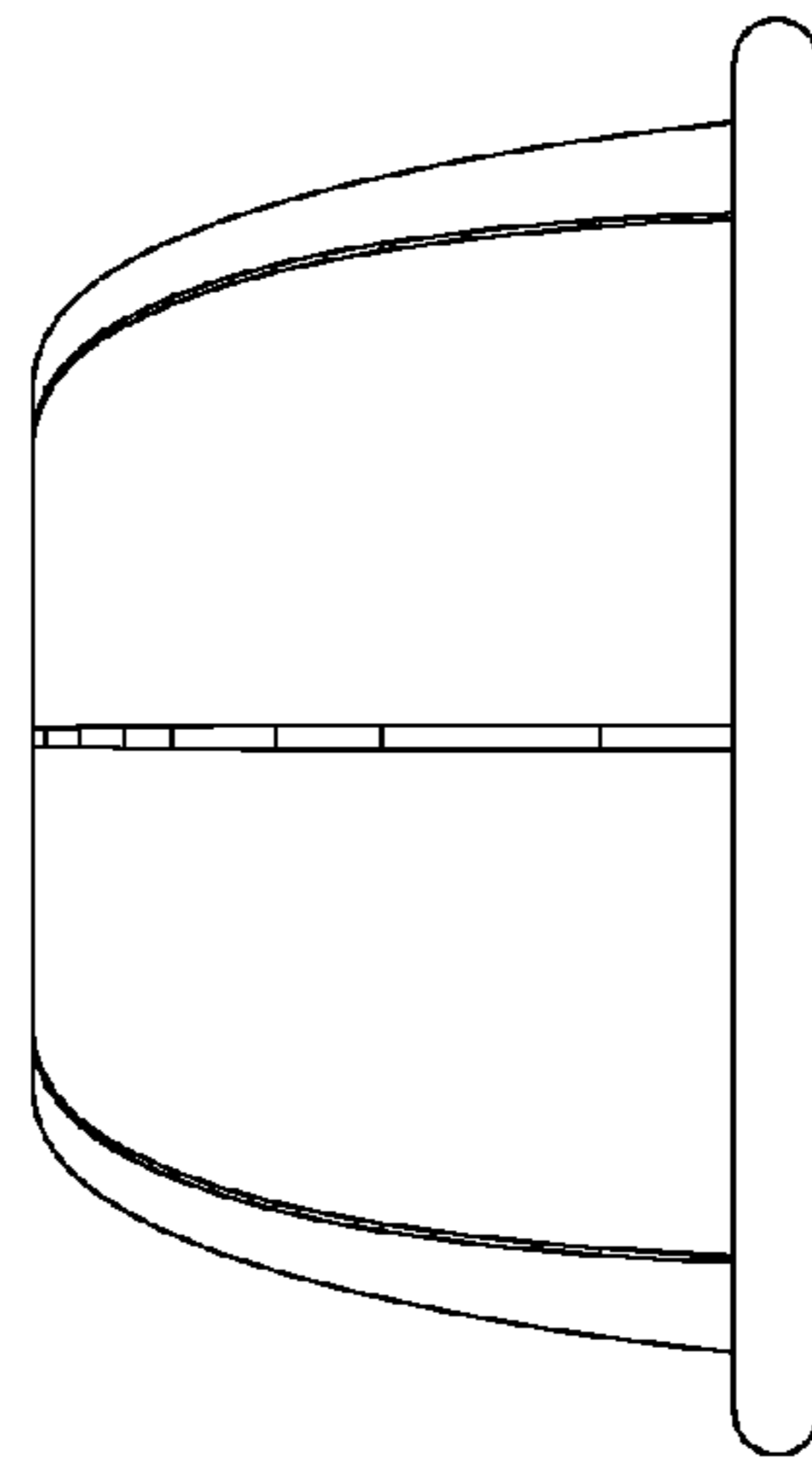


Fig. 4

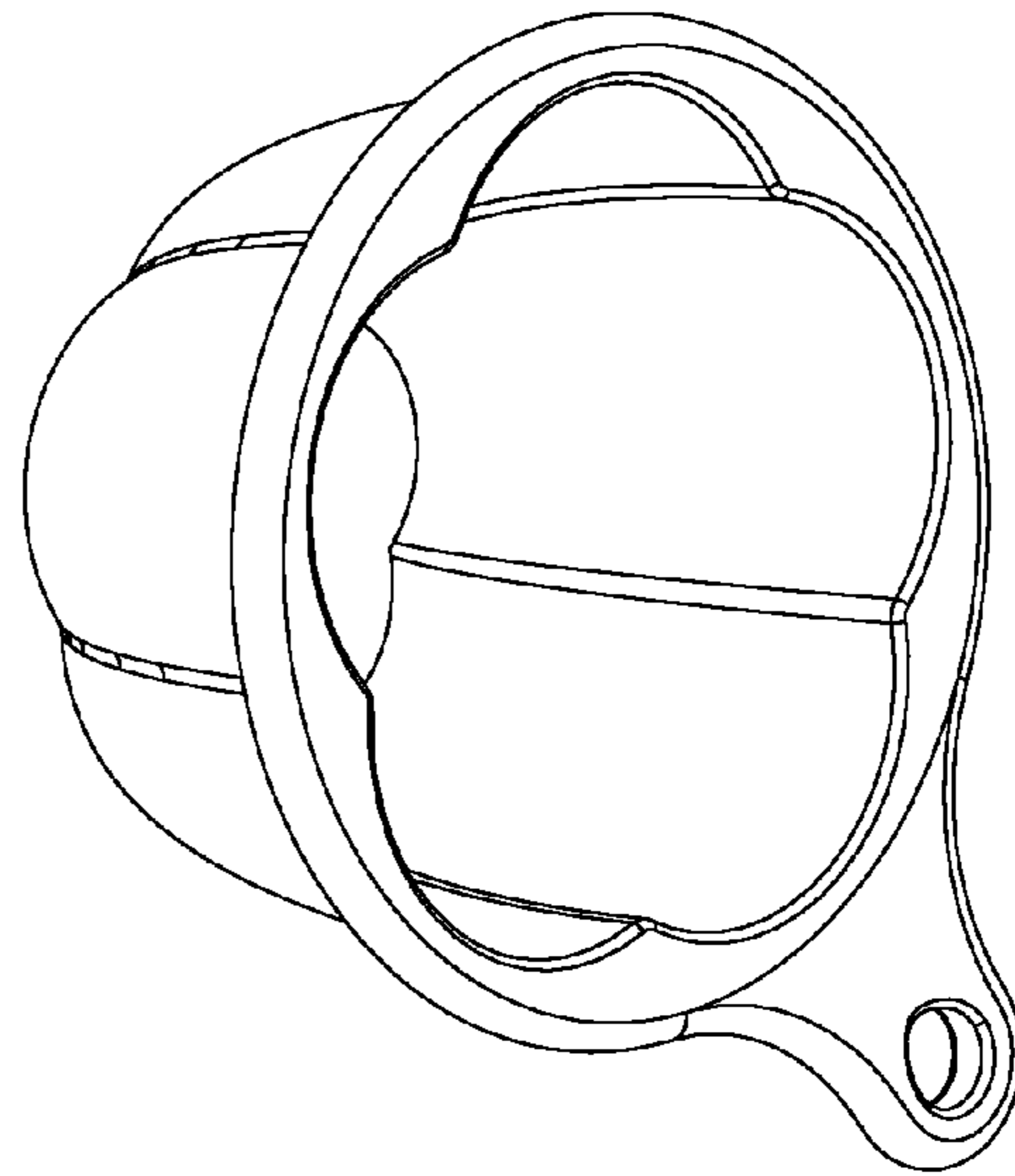


Fig. 6

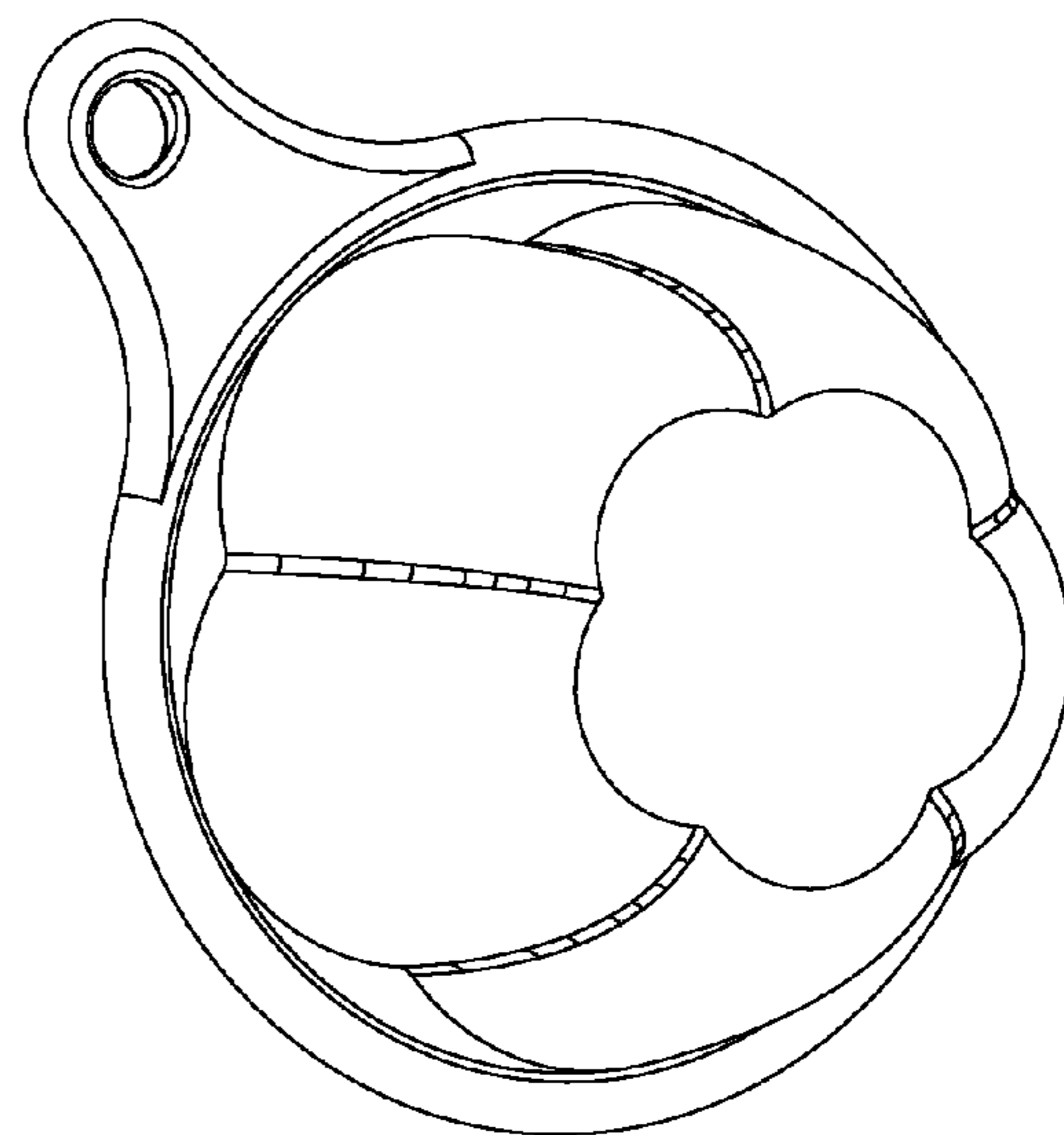


Fig. 7