



US00D571673S

(12) **United States Design Patent**  
**Cooper**

(10) **Patent No.:** **US D571,673 S**  
(45) **Date of Patent:** **\*\* Jun. 24, 2008**

(54) **CLIP WATCH**

FOREIGN PATENT DOCUMENTS

(76) Inventor: **Martin R. Cooper**, 10179 Commerce Park, Cincinnati, OH (US) 45246

WO WO 2006058438 A1 \* 6/2006

(\*\*) Term: **14 Years**

OTHER PUBLICATIONS

(21) Appl. No.: **29/264,389**

Website printout: MilneJewelry.Com, Colibri CX Gear Sport Analog Digital Alarm Flash Light Clip Timepiece, [http://www.milnejewelry.com/Colibri\\_Watch/watch51.html](http://www.milnejewelry.com/Colibri_Watch/watch51.html) (as printed on Jun. 4, 2003), pp. 1-2.

(22) Filed: **Aug. 9, 2006**

Website printout: NeimanMarcus.Com, CX Fisherman's Watch, <http://www.neimanmarcus.com/stoe/catalog/prod.jhtml?cmCat=search&itemId=prod1475...> (as printed on Dec. 1, 2004), p. 1 of 1.

(51) **LOC (8) Cl.** ..... **10-02**

(52) **U.S. Cl.** ..... **D10/37**

(58) **Field of Classification Search** ..... D3/207, D3/208, 211; D8/333, 356, 367; D10/1-29, D10/40, 68, 123-126; D11/3-25; D14/188, D14/192; D19/44; D21/789; 24/3.6, 3.7, 24/3.13, 576.1, 588.1; 70/456 R, 459; 224/164-168; 368/10, 21, 28-30, 223, 228-234, 239-242, 368/276-277, 281-285, 294-295, 308, 319-321  
See application file for complete search history.

*Primary Examiner*—Caron D. Veynar

*Assistant Examiner*—Ricky Pham

(74) *Attorney, Agent, or Firm*—Ulmer & Berne LLP

(57) **CLAIM**

The ornamental design for a clip watch, as shown and described.

**DESCRIPTION**

FIG. 1 is a right front perspective view of a clip watch showing my new design;

FIG. 2 is a front elevational view of the clip watch of FIG. 1;

FIG. 3 is a right elevational view of the clip watch of FIG. 1;

FIG. 4 is a left elevational view of the clip watch of FIG. 1;

FIG. 5 is a rear elevational view of the clip watch of FIG. 1;

FIG. 6 is a top plan view of the clip watch of FIG. 1;

FIG. 7 is a bottom plan view of the clip watch of FIG. 1; and,

FIG. 8 is a right perspective view of the clip watch of FIG. 1 further illustrating the toothed latch in an open position.

The broken lines (and areas defined thereby) shown in the figures are for illustrative purposes only and form no part of the claimed design.

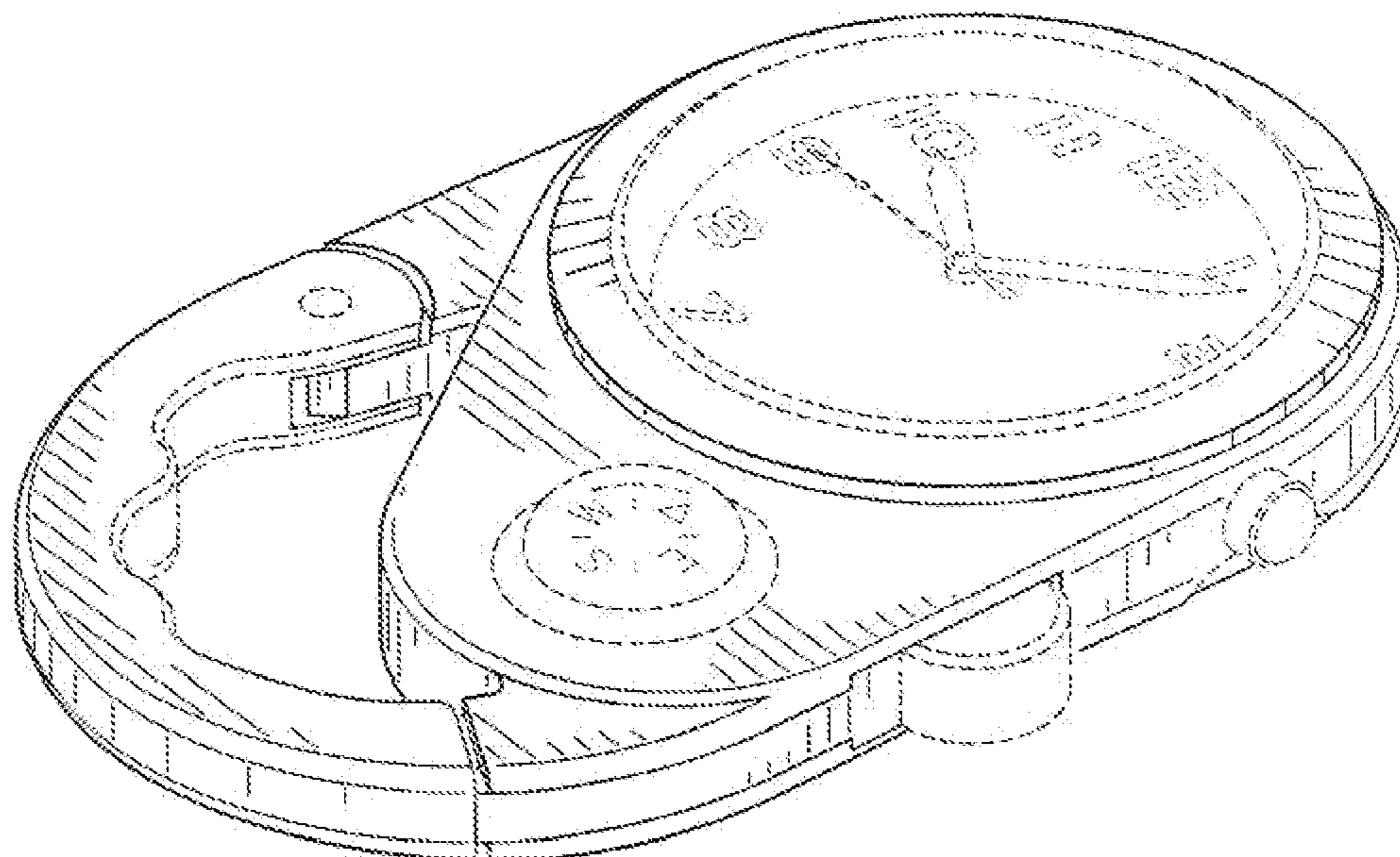
(56) **References Cited**

U.S. PATENT DOCUMENTS

2,952,967 A	9/1960	Nussle
4,357,694 A	11/1982	Montuori
D270,714 S	9/1983	Sang
D273,847 S	5/1984	Yusa
4,879,702 A	11/1989	Gardner
D352,463 S	11/1994	Kubo
5,438,555 A	8/1995	Kim
D362,398 S	9/1995	Gebhardt
D370,406 S	6/1996	Tsai
5,540,367 A	7/1996	Kauker
D386,097 S	11/1997	Lindman et al.
D398,246 S	9/1998	Bruce et al.
D399,433 S	10/1998	Bruce et al.

(Continued)

**1 Claim, 4 Drawing Sheets**



# US D571,673 S

Page 2

---

## U.S. PATENT DOCUMENTS

5,828,541	A	10/1998	Wu	D476,304	S	6/2003	Fox et al.
D402,104	S	12/1998	Kauker et al.	D478,011	S	8/2003	Cooper
D413,525	S	9/1999	Pun	D478,823	S	* 8/2003	Kelleghan ..... D10/68
D432,027	S	10/2000	Fox et al.	D479,221	S	* 9/2003	Wong ..... D14/192
D435,764	S	1/2001	Schuster	6,742,685	B2	6/2004	Williams
6,234,668	B1	5/2001	Cooper	D493,726	S	8/2004	Cooper
D445,039	S	7/2001	Finkay	D501,843	S	* 2/2005	Oas ..... D14/188
D454,054	S	3/2002	Kelleghan	D503,628	S	* 4/2005	Chen ..... D10/15
D455,355	S	4/2002	Chan	D505,337	S	5/2005	Cooper
D466,422	S	12/2002	Luquire	D505,867	S	* 6/2005	Cooper ..... D10/2
D467,819	S	12/2002	Tang	D521,587	S	* 5/2006	Smith ..... D21/789
D469,023	S	1/2003	Mah	D530,184	S	* 10/2006	Oas ..... D8/333
6,527,434	B1	3/2003	Fox et al.	D531,058	S	* 10/2006	Bhavnani ..... D10/1

\* cited by examiner

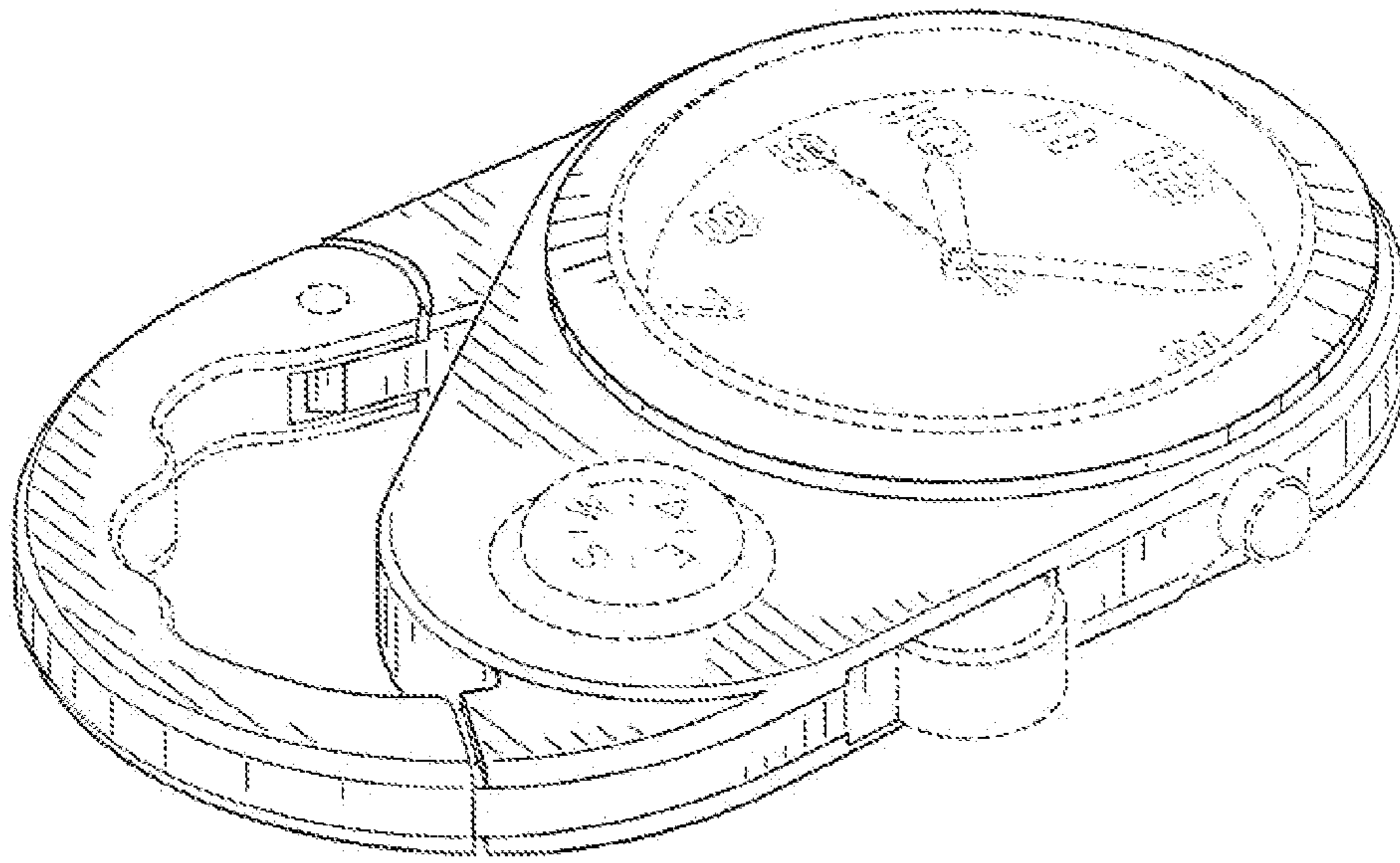


FIG. 1

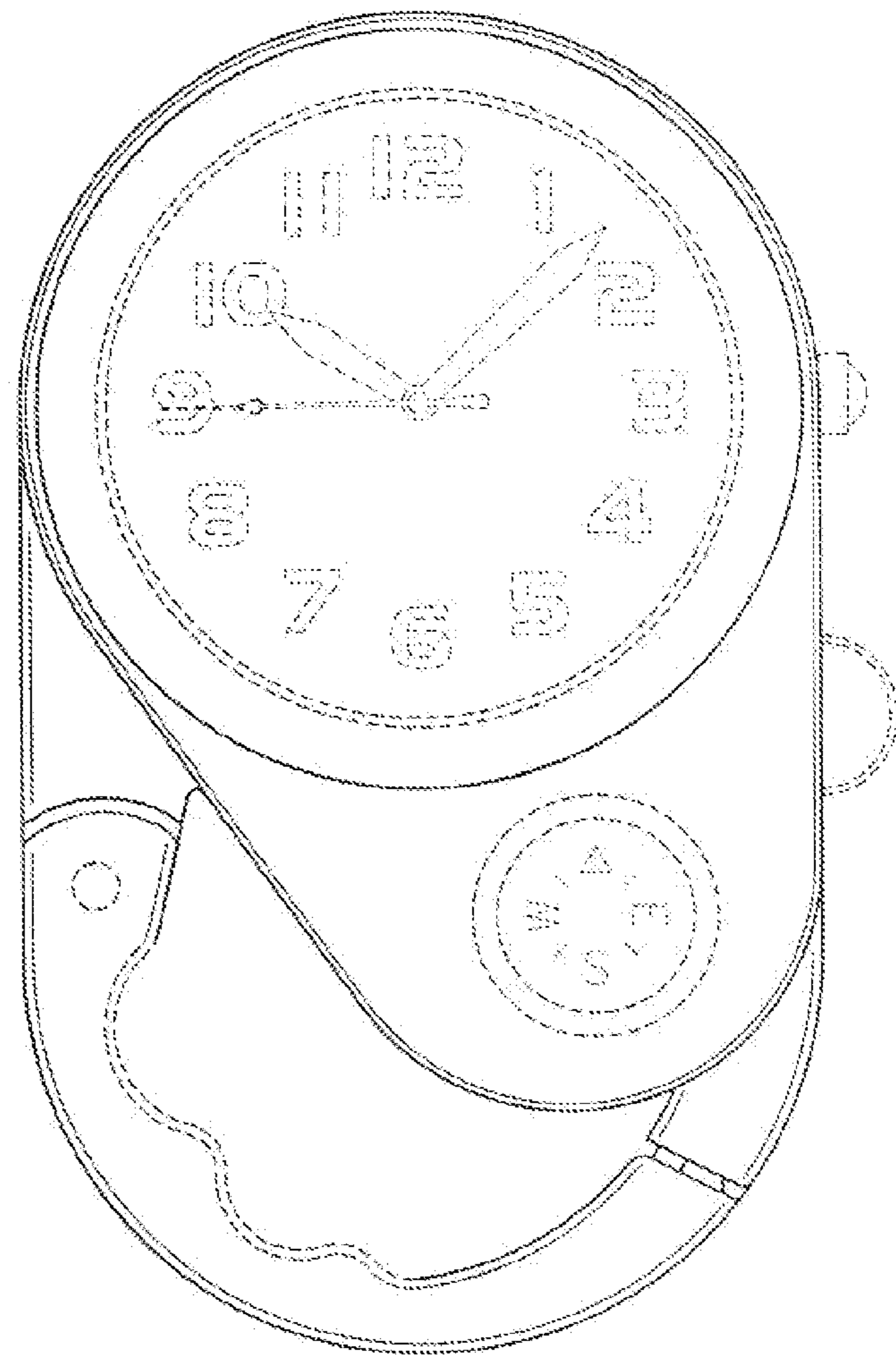


FIG. 2

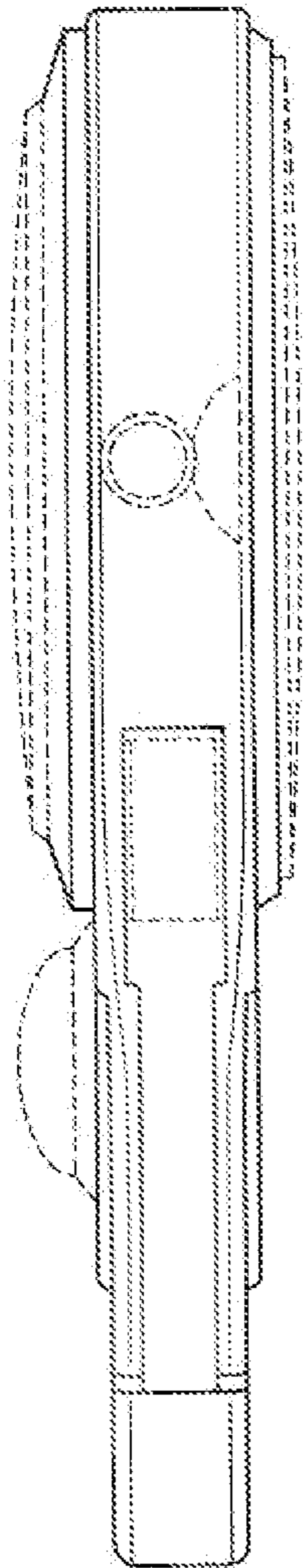


FIG. 3

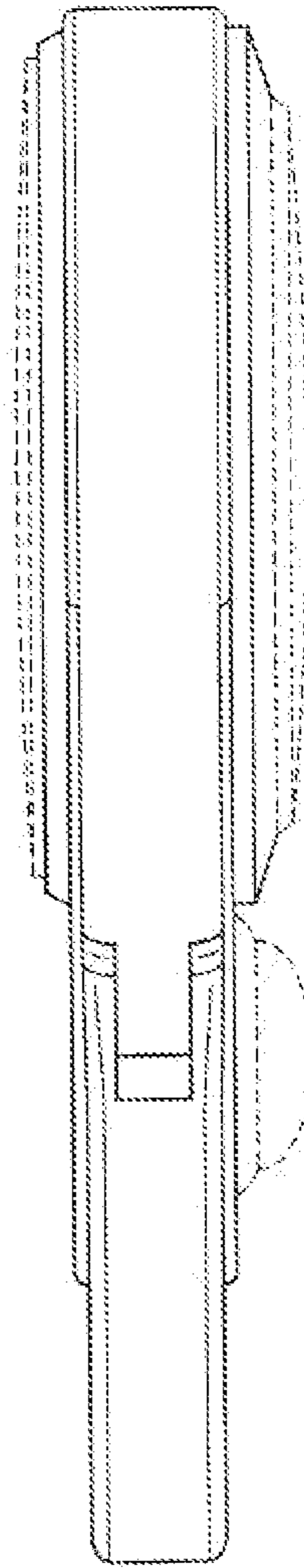


FIG. 4

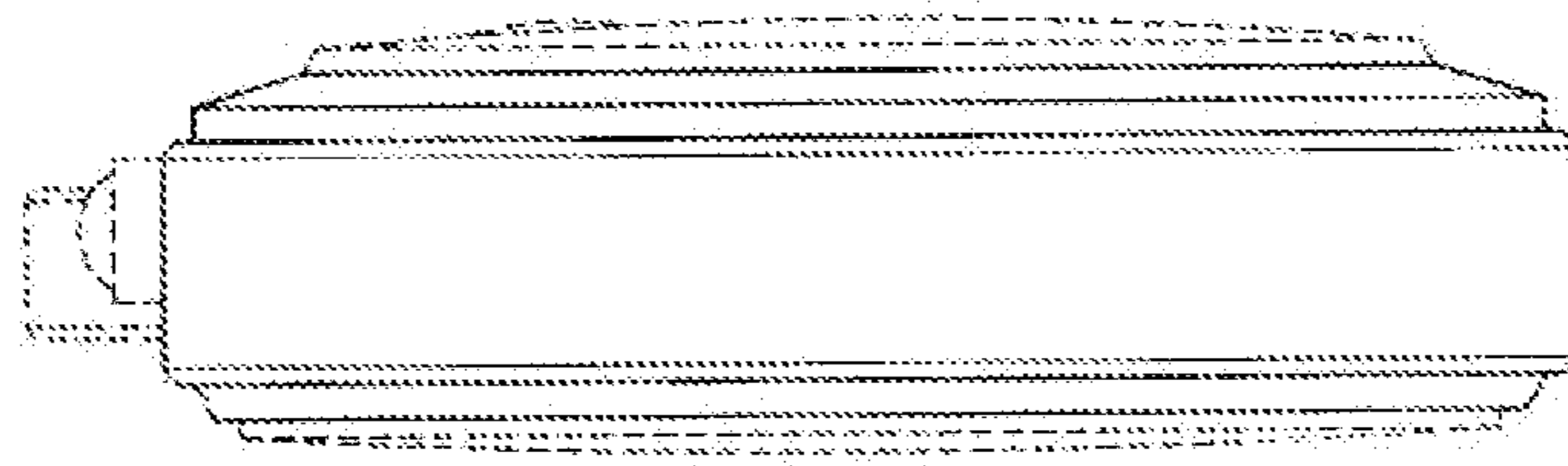


FIG. 5

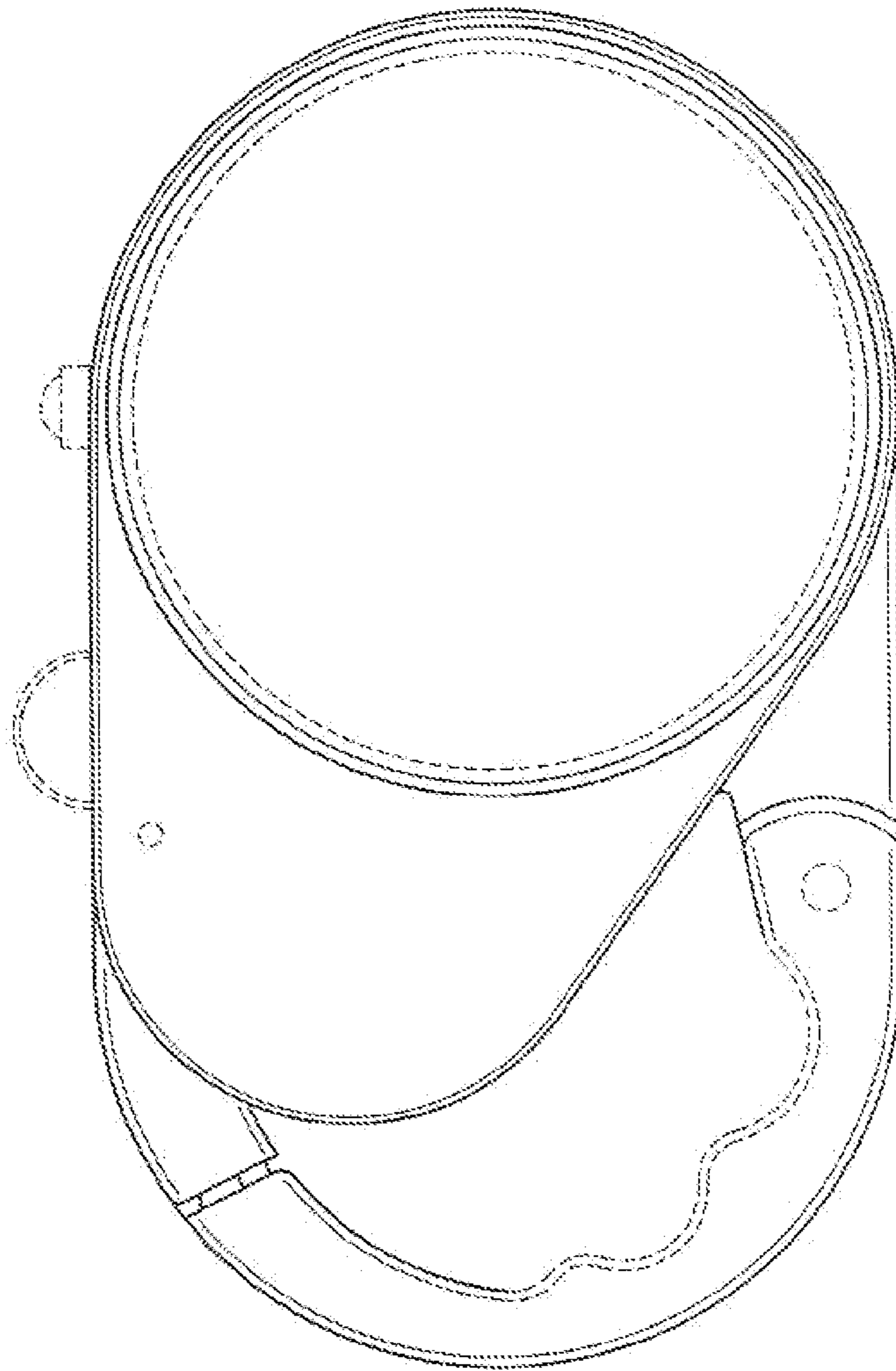


FIG. 6

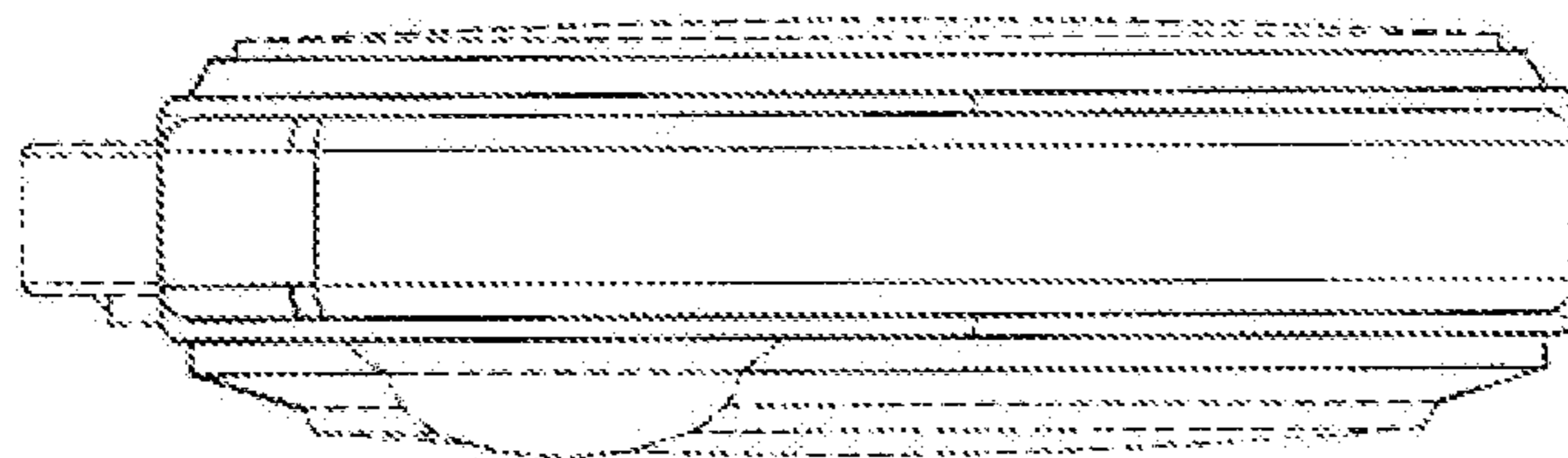


FIG. 7

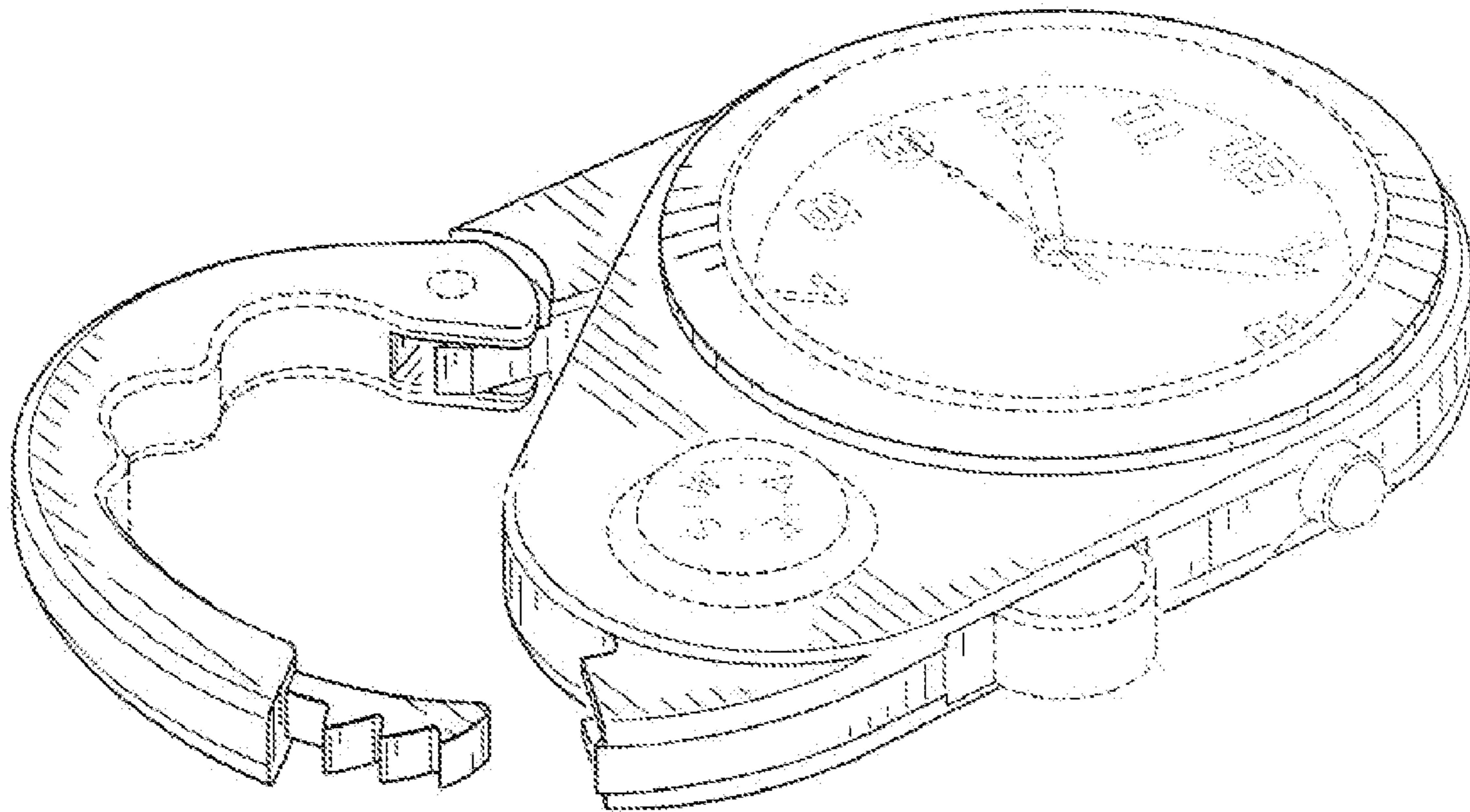


FIG. 8