



US00D571661S

(12) **United States Design Patent**
Ulibarri

(10) **Patent No.:** **US D571,661 S**
(45) **Date of Patent:** **** Jun. 24, 2008**

(54) **BOTTLE**

(75) Inventor: **Scott M. Ulibarri**, Denver, CO (US)

(73) Assignee: **Ball Corporation**, Broomfield, CO (US)

(**) Term: **14 Years**

(21) Appl. No.: **29/265,531**

(22) Filed: **Sep. 1, 2006**

(51) **LOC (8) Cl.** **09-01**

(52) **U.S. Cl.** **D9/500; D9/520; D9/550**

(58) **Field of Classification Search** D9/424,
D9/428, 446-447, 449, 454, 500, 502-505,
D9/516, 549, 550, 557-558, 682, 686, 688-691,
D9/694, 905; D7/598; 215/379-384; 220/660,
220/662, 669-673, 675

See application file for complete search history.

(56) **References Cited**

U.S. PATENT DOCUMENTS

769,615 A	9/1904	Kosansvich
1,626,930 A	5/1927	Grogg
2,687,231 A	8/1954	Somers
D184,207 S	1/1959	Baird
D187,399 S	3/1960	Campbell
2,960,248 A	11/1960	Kuhlman
3,001,564 A	9/1961	Hopkins
3,180,537 A	4/1965	Collins
3,369,687 A	2/1968	Walls
3,369,688 A	2/1968	Dike
3,391,824 A	7/1968	Wiseman
D217,129 S	4/1970	Beeby

3,583,590 A	6/1971	Wyckoff	
D236,429 S *	8/1975	Strand	D9/501
D240,591 S *	7/1976	Kretz	D9/500
D247,471 S *	3/1978	Strand	D9/500
4,127,207 A	11/1978	Hubert et al.	
4,308,955 A	1/1982	Schieser et al.	
4,351,454 A	9/1982	Maynard, Jr.	
4,485,923 A	12/1984	Schwaikert	
4,489,839 A	12/1984	Epperson	
4,573,595 A	3/1986	Mednis	
D285,533 S *	9/1986	Berish et al.	D9/503

(Continued)

Primary Examiner—Charles A. Rademaker

Assistant Examiner—Dana L Sipos

(74) *Attorney, Agent, or Firm*—Brinks Hofer Gilson & Lione

(57) **CLAIM**

I claim the ornamental design for a bottle, as shown and described.

DESCRIPTION

FIG. 1 is a front elevational view of a bottle of the present invention, the rear elevational view being identical;

FIG. 2 is a top plan view thereof;

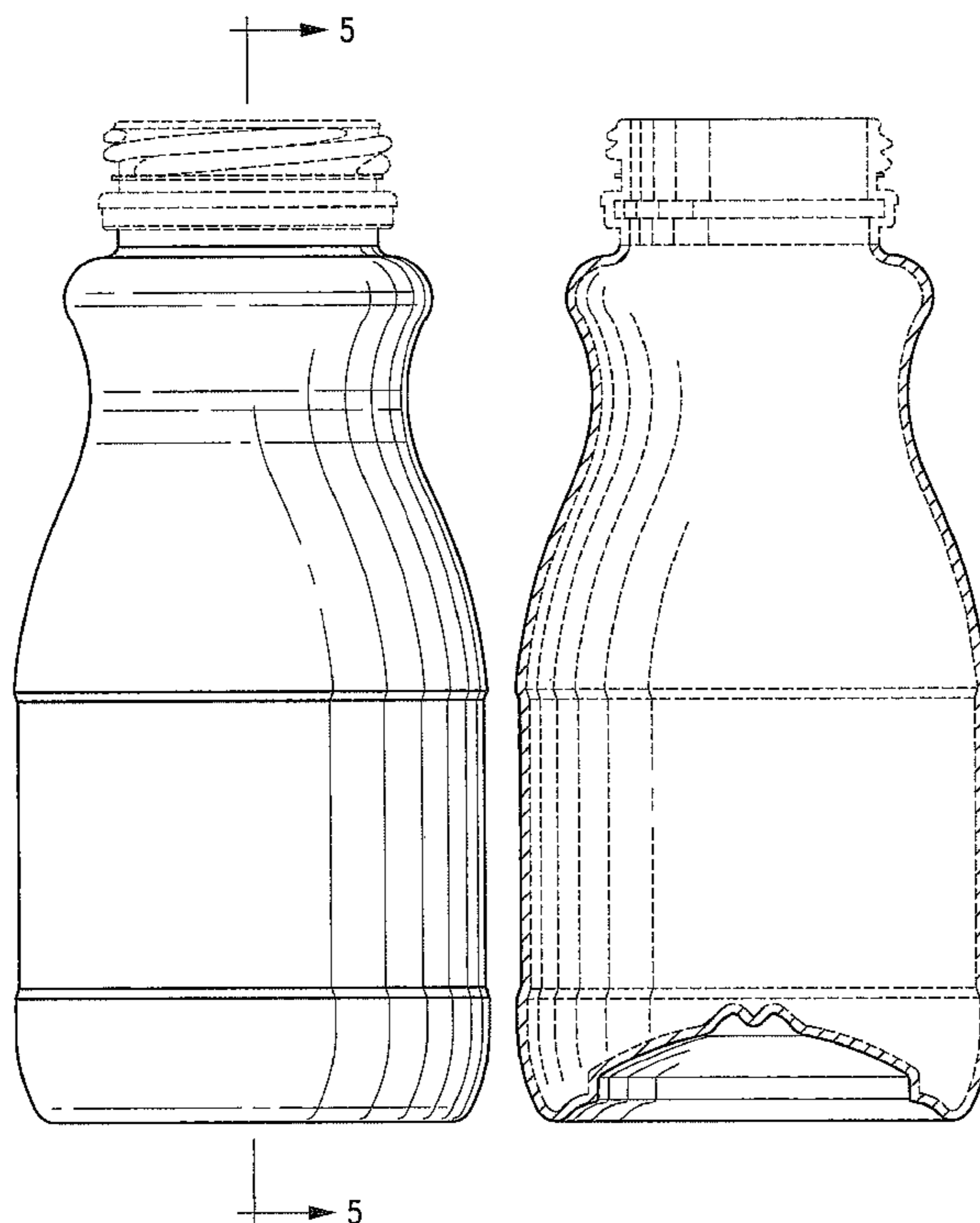
FIG. 3 is a bottom plan view thereof;

FIG. 4 is a top, front, perspective view thereof; and,

FIG. 5 is a cross section view taken along the line 5—5 in the FIG. 1 drawing view.

The broken lines shown in the drawings are for illustrative purposes only and form no part of the claimed design.

1 Claim, 4 Drawing Sheets



US D571,661 S

Page 2

U.S. PATENT DOCUMENTS

4,671,412 A	6/1987	Gatten	5,887,740 A	3/1999	Hong	
4,691,828 A	9/1987	Slusarczyk et al.	D408,738 S	4/1999	Wu	
D292,880 S	11/1987	Jacobs et al.	5,927,499 A	7/1999	Vesborg	
D294,677 S	3/1988	Rogler	D422,906 S	4/2000	Mellish	
4,805,793 A	2/1989	Brandt et al.	D422,915 S *	4/2000	Hestehave et al. D9/500
5,154,295 A	10/1992	Stoner	D425,793 S *	5/2000	Walker D9/503
5,211,299 A	5/1993	Manfredonia	6,095,332 A	8/2000	Finand et al.	
5,244,106 A	9/1993	Takacs	6,276,549 B1	8/2001	Fasci et al.	
5,279,841 A	1/1994	Yu	D447,944 S	9/2001	Justice	
5,573,133 A	11/1996	Park	D466,413 S	12/2002	Justice	
5,630,523 A	5/1997	Wright	D477,226 S *	7/2003	Chirico et al. D9/503
D380,158 S	6/1997	Olivares et al.	D487,697 S	3/2004	Rosen	
5,782,358 A	7/1998	Walker	D515,940 S	2/2006	Kratko	
D407,020 S	3/1999	Doty	2003/0132184 A1	7/2003	Dorn et al.	

* cited by examiner

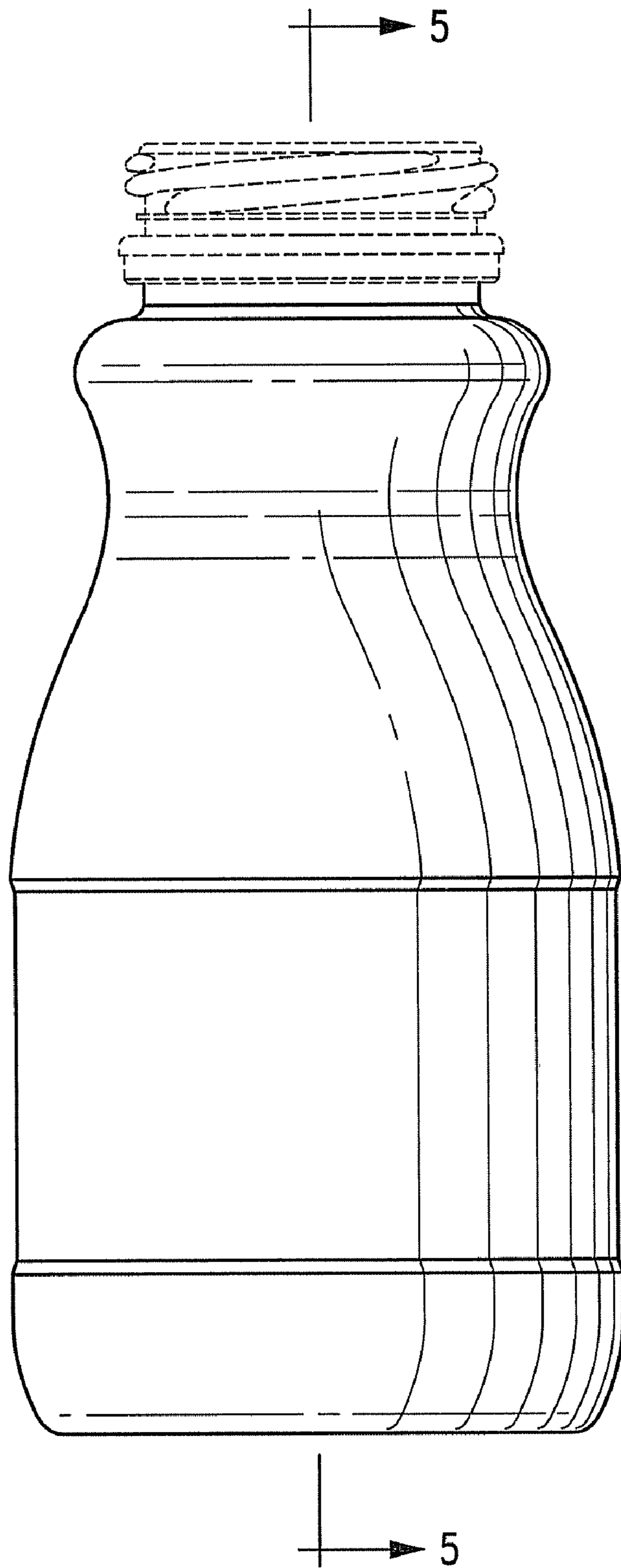


Fig. 1

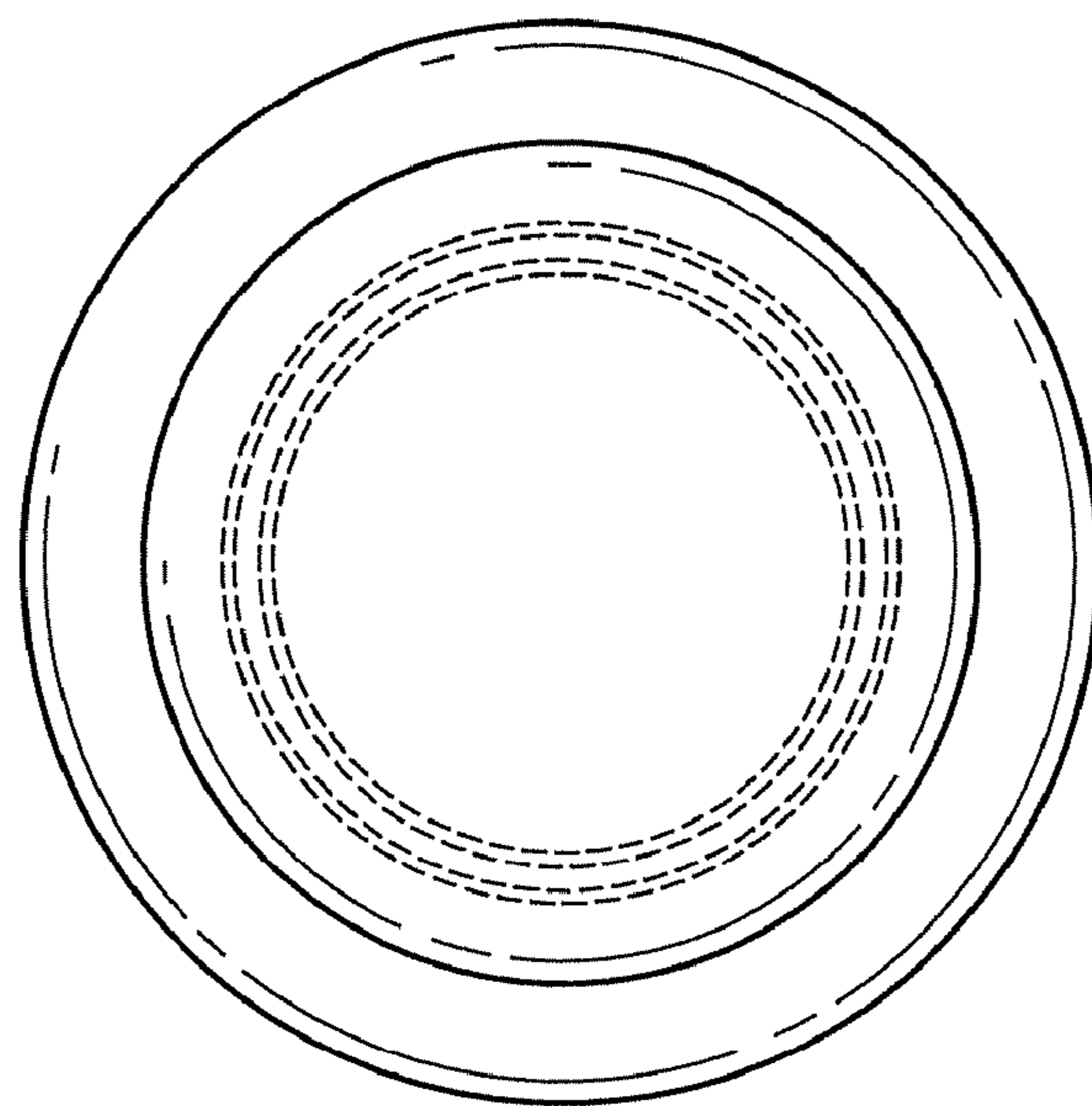


Fig. 2

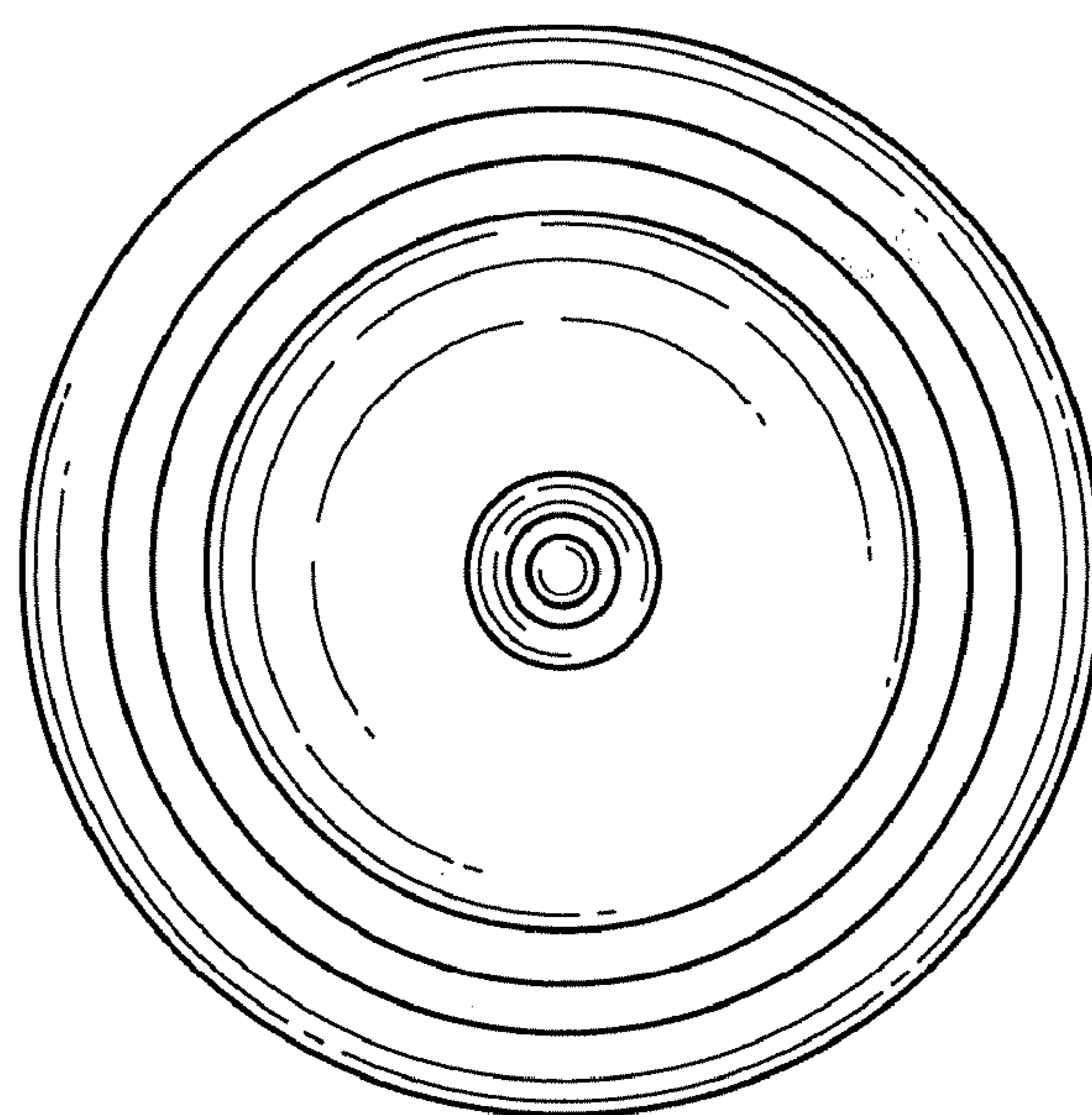


Fig. 3

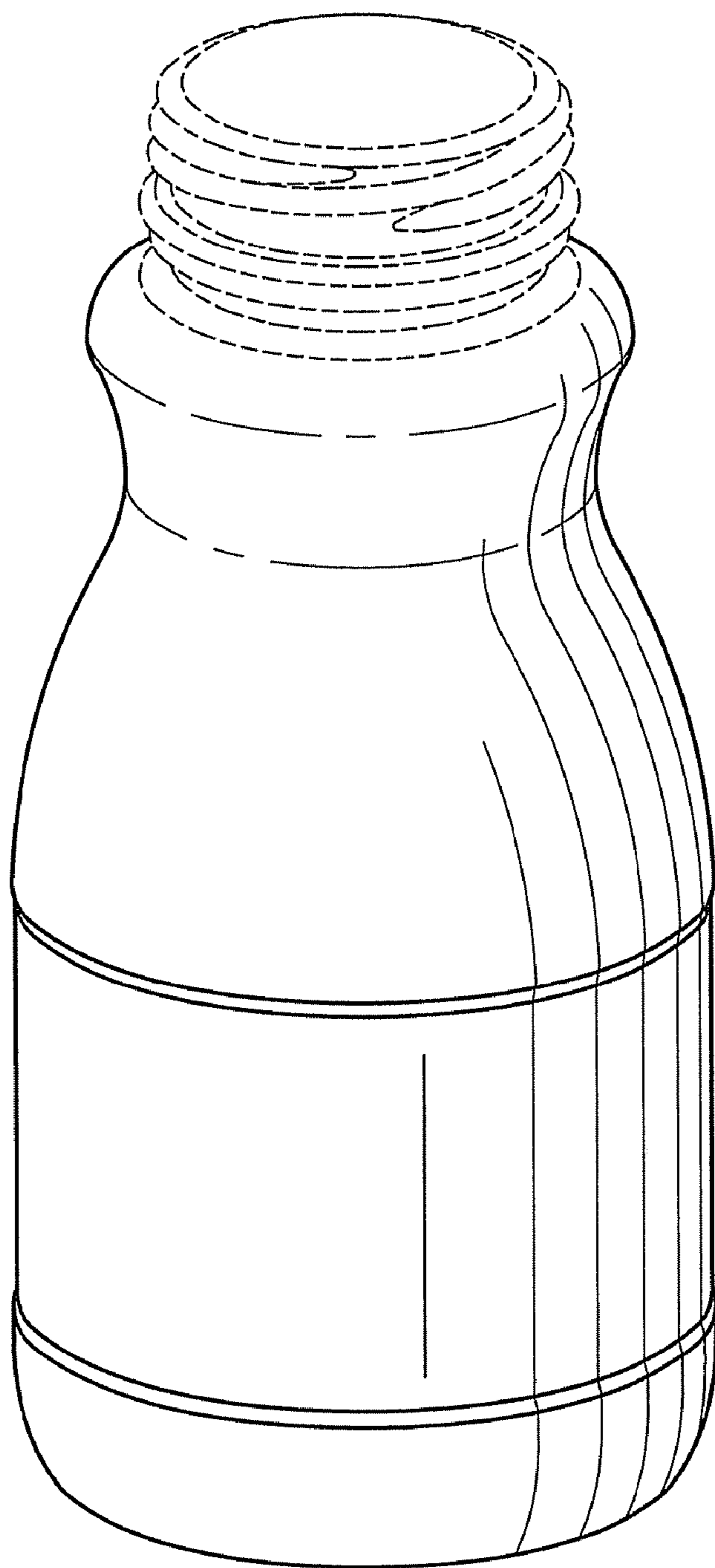


Fig. 4

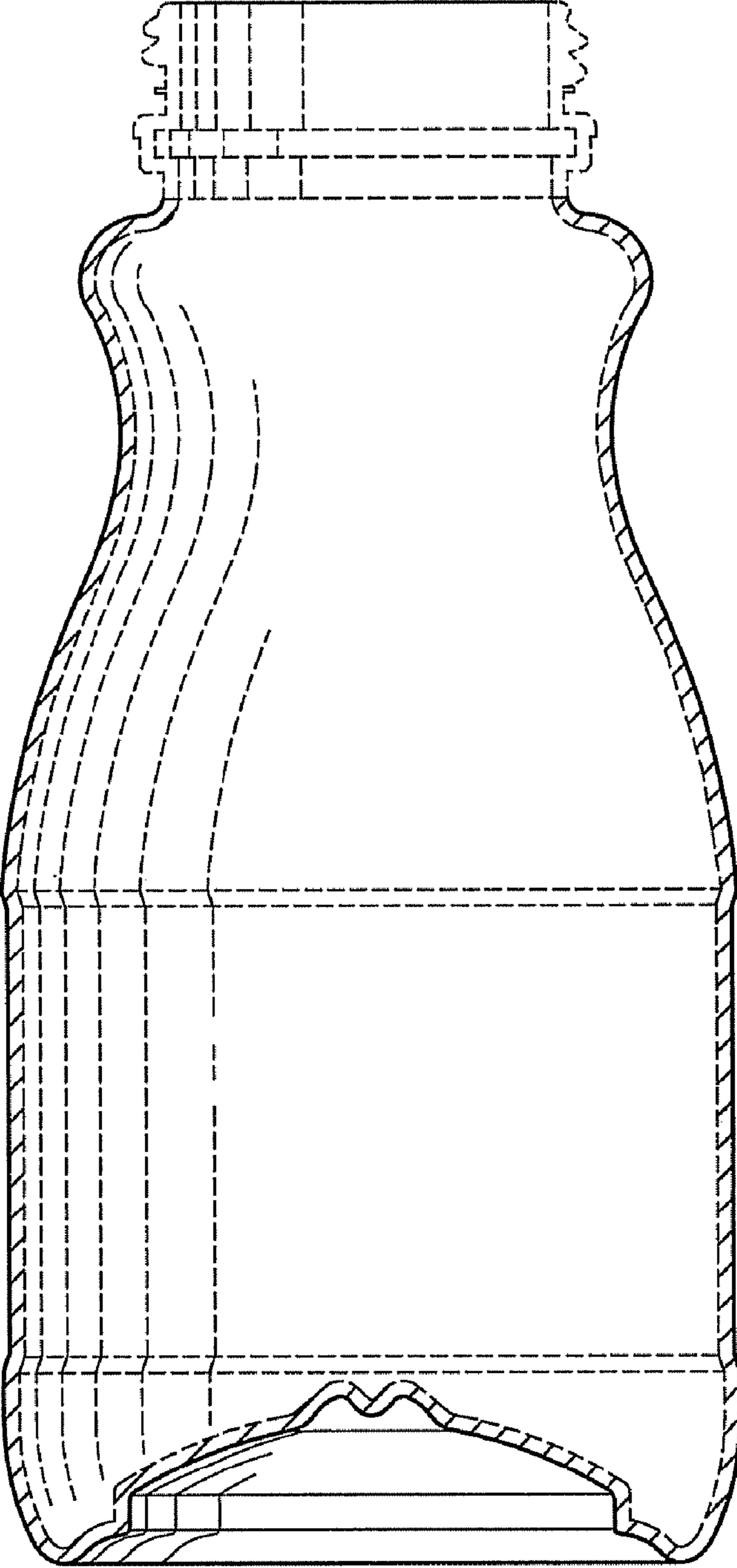


Fig. 5