



US00D571660S

(12) **United States Design Patent**
Rozanski

(10) **Patent No.:** **US D571,660 S**
(45) **Date of Patent:** **** Jun. 24, 2008**

(54) **DISPLAY PACKAGE**

(75) Inventor: **Alan L. Rozanski**, Franklin, WI (US)

(73) Assignee: **Master Lock Company LLC**, Oak Creek, WI (US)

(**) Term: **14 Years**

(21) Appl. No.: **29/299,550**

(22) Filed: **Dec. 28, 2007**

(51) **LOC (8) Cl.** **09-03**

(52) **U.S. Cl.** **D9/457**

(58) **Field of Classification Search** D9/227,
D9/304, 341, 342, 343, 344, 345, 346, 347,
D9/348, 414, 415, 416, 417, 418, 419, 420,
D9/421, 422, 423, 424, 425, 426, 427, 428,
D9/429, 430, 431, 432, 433, 434, 456, 455,
D9/457, 499, 701, 730, 731, 732; 206/229,
206/445, 461-469, 468, 471, 495, 551, 538,
206/534, 528-532, 806; D6/315-513; D20/43,
D20/42, 40, 27, 22, 39; 229/942, 906, 902,
229/115, 103, 101; 223/87; D28/76; D24/229;
D23/386, 369, 366; D21/376

See application file for complete search history.

(56) **References Cited**

U.S. PATENT DOCUMENTS

| | | | | | | |
|-----------|----|---|---------|-------------------|-------|---------|
| D386,681 | S | * | 11/1997 | Reil | | D9/434 |
| D455,072 | S | * | 4/2002 | Findle et al. | | D9/415 |
| D463,978 | S | * | 10/2002 | DiMartino | | D9/415 |
| 6,457,649 | B1 | * | 10/2002 | Hileman | | 235/486 |
| 6,523,689 | B2 | * | 2/2003 | Mickel | | 206/468 |
| D482,612 | S | * | 11/2003 | Hager et al. | | D9/600 |
| D485,753 | S | * | 1/2004 | Vogel | | D9/415 |
| 6,817,471 | B2 | * | 11/2004 | Harris et al. | | 206/349 |
| D501,402 | S | * | 2/2005 | Kilmer et al. | | D9/415 |
| D505,809 | S | * | 6/2005 | Cassidy et al. | | D6/491 |
| 6,938,394 | B2 | * | 9/2005 | Perell | | 53/412 |
| D511,976 | S | * | 11/2005 | Budrow | | D9/715 |
| D513,589 | S | * | 1/2006 | Grant | | D9/457 |
| D513,700 | S | * | 1/2006 | Wheeler et al. | | D9/457 |
| D516,427 | S | * | 3/2006 | Richardson et al. | | D9/457 |

| | | | | | | |
|-----------|----|---|--------|----------------|-------|---------|
| D517,917 | S | * | 3/2006 | Sethi et al. | | D9/457 |
| 7,011,249 | B2 | * | 3/2006 | Tang | | 235/486 |
| D520,875 | S | * | 5/2006 | Wheeler et al. | | D9/415 |

(Continued)

Primary Examiner—T. Chase Nelson

Assistant Examiner—Barbara B Lohr

(74) *Attorney, Agent, or Firm*—Calfee, Halter & Griswold LLP

(57) **CLAIM**

The ornamental design for a display package, as shown and described.

DESCRIPTION

FIG. 1 is a top-left perspective view of the new, original, and ornamental design for a display package, showing a product in phantom lines retained on the display package;

FIG. 2 is a bottom-left perspective view of the display package of FIG. 1, showing a product in phantom lines retained on the display package;

FIG. 3 is a top-left perspective view of the display package of FIG. 1, showing the broken line product removed from the display package;

FIG. 4 is a bottom-left perspective view of the display package of FIG. 3;

FIG. 5 is a left side view of the display package of FIG. 3;

FIG. 6 is a top view of the display package of FIG. 3;

FIG. 7 is a front view of the display package of FIG. 3;

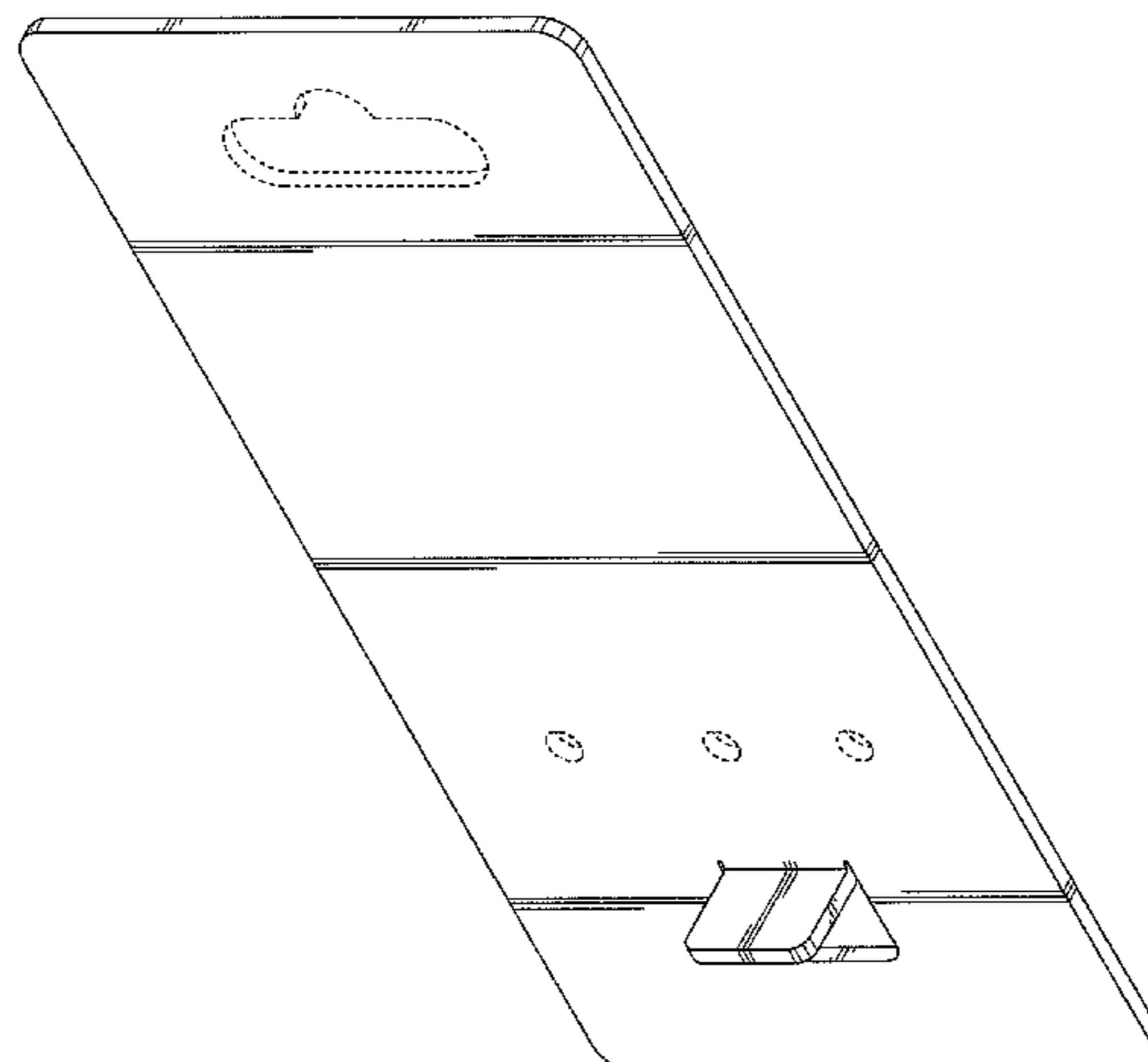
FIG. 8 is a right side view of the display package of FIG. 3;

FIG. 9 is a bottom view of the display package of FIG. 3; and,

FIG. 10 is a rear view of the display package of FIG. 3.

The portions of the Figures shown in phantom lines are not part of the claimed design, but are for illustration purposes only.

1 Claim, 6 Drawing Sheets



US D571,660 S

Page 2

U.S. PATENT DOCUMENTS

| | | | | | | | | | |
|----------------|---------|-----------------|-------|----------|-------------------|---------|-----------------|-------|---------|
| D522,863 S * | 6/2006 | Chin | | D9/457 | D543,110 S * | 5/2007 | Harada et al. | | D9/457 |
| 7,066,327 B2 * | 6/2006 | Baublitz et al. | | 206/349 | D544,794 S * | 6/2007 | White | | D9/457 |
| D524,653 S * | 7/2006 | Baumgarten | | D9/457 | D551,551 S * | 9/2007 | Woolery | | D9/415 |
| D527,634 S * | 9/2006 | Liebers | | D9/457 | D556,565 S * | 12/2007 | Nazari | | D9/418 |
| 7,128,222 B2 * | 10/2006 | Doucette | | 211/85.4 | 2007/0199850 A1 * | 8/2007 | Levy | | 206/464 |
| D531,506 S * | 11/2006 | Aitkenhead | | D9/457 | 2007/0246527 A1 * | 10/2007 | Tang | | 235/380 |
| D540,160 S * | 4/2007 | Konop et al. | | D9/415 | 2007/0278293 A1 * | 12/2007 | Anderson et al. | | 235/380 |
| D540,168 S * | 4/2007 | Chin | | D9/457 | | | | | |

* cited by examiner

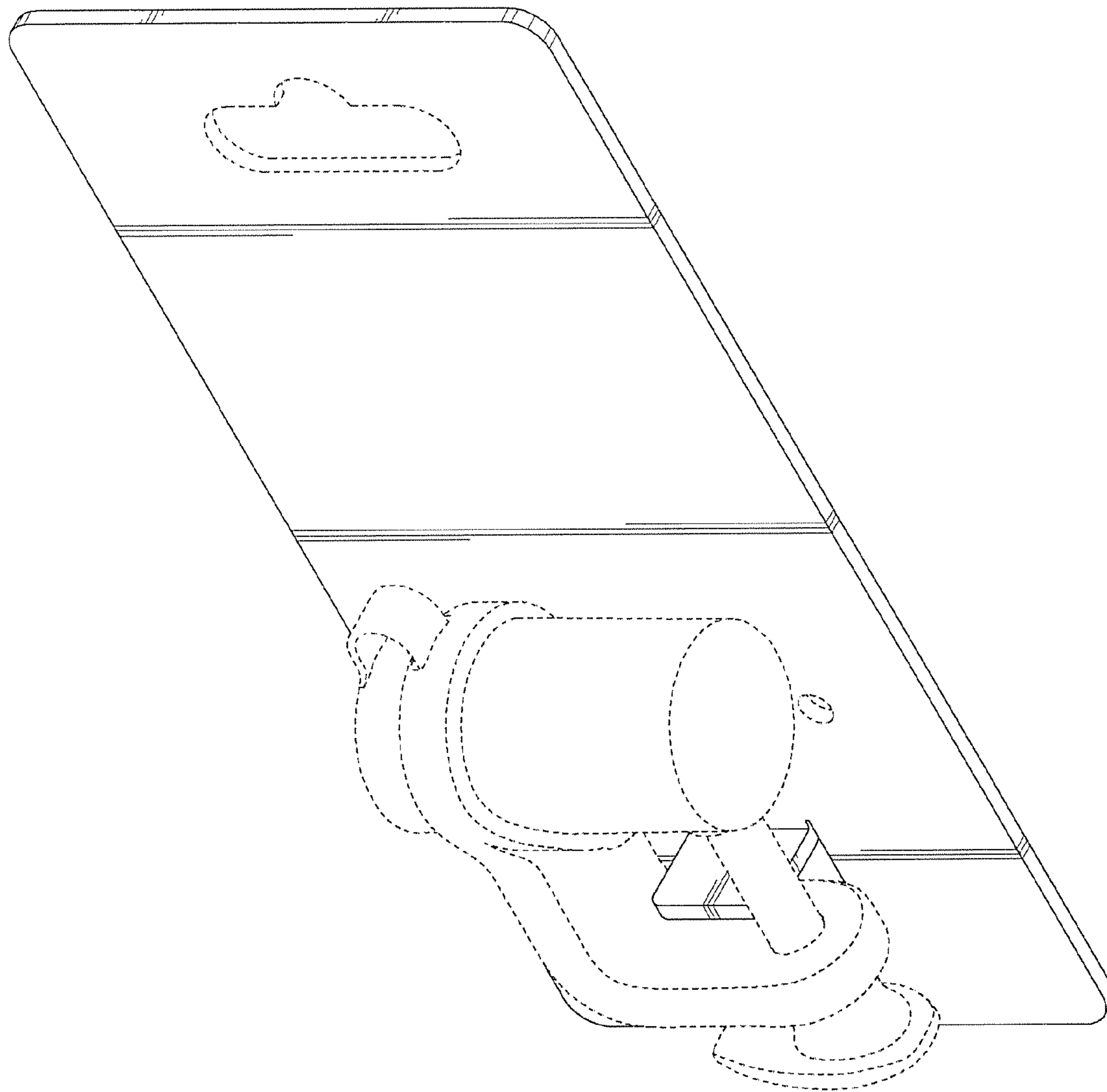


FIG. 1

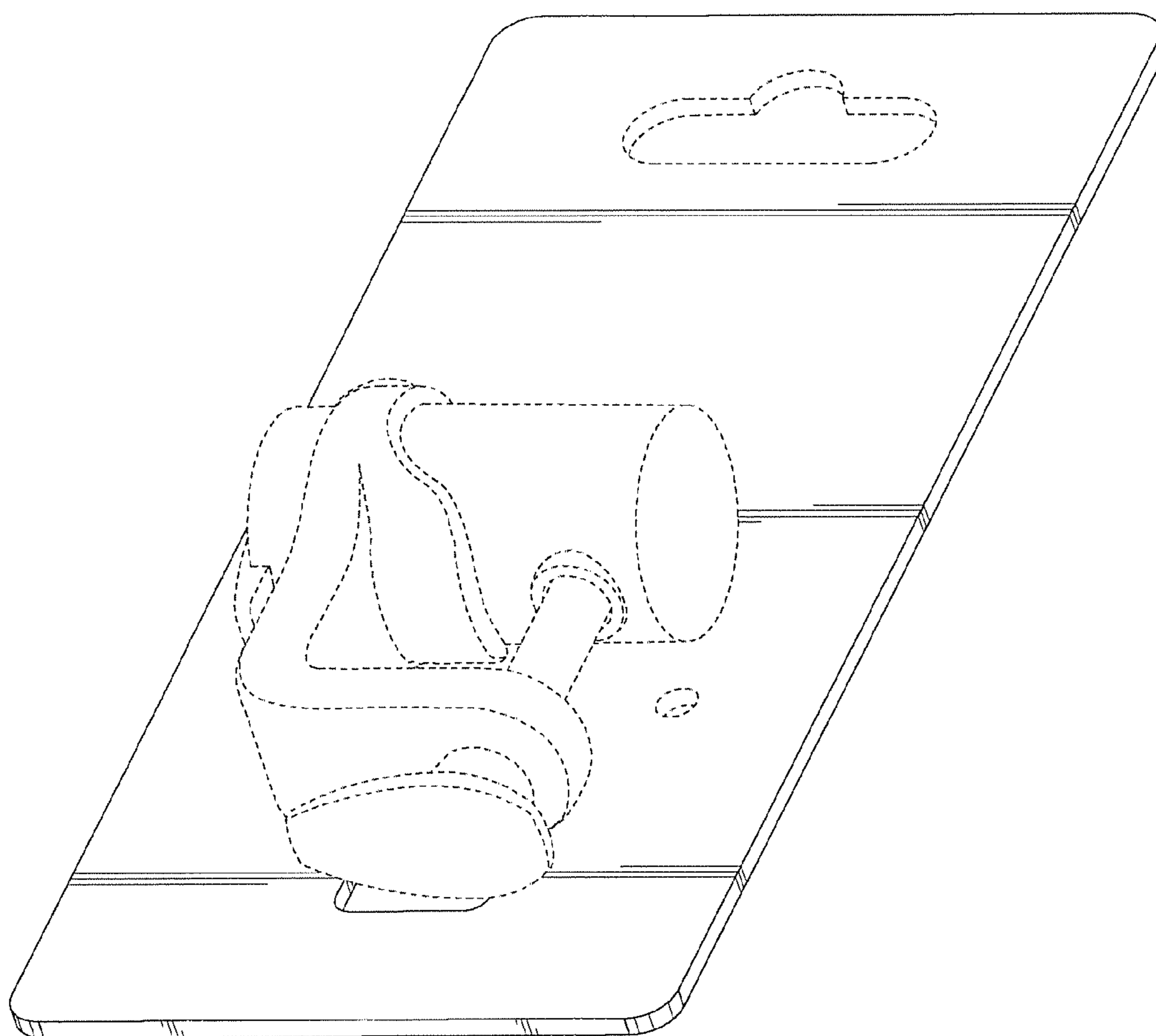


FIG. 2

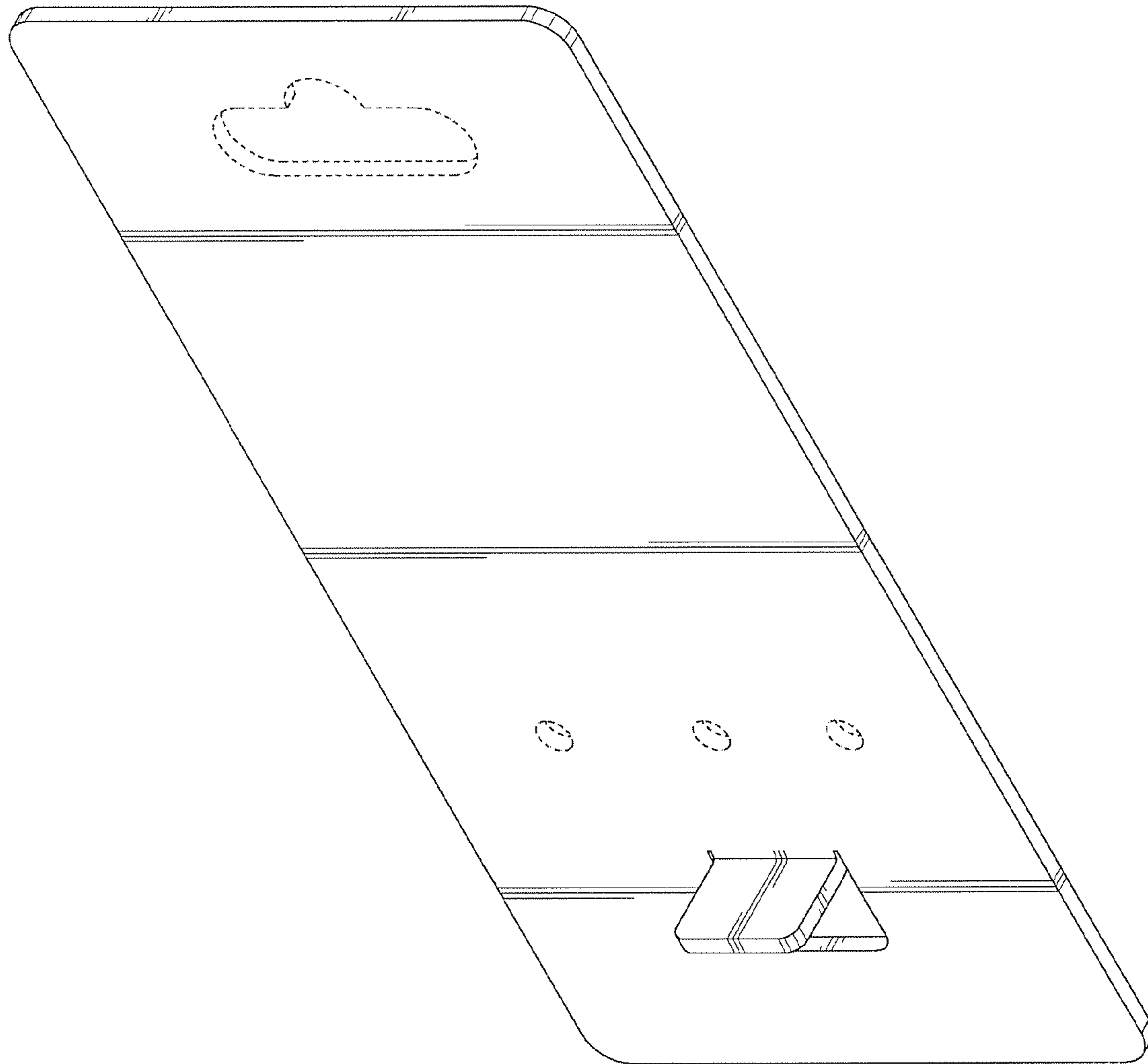


FIG. 3

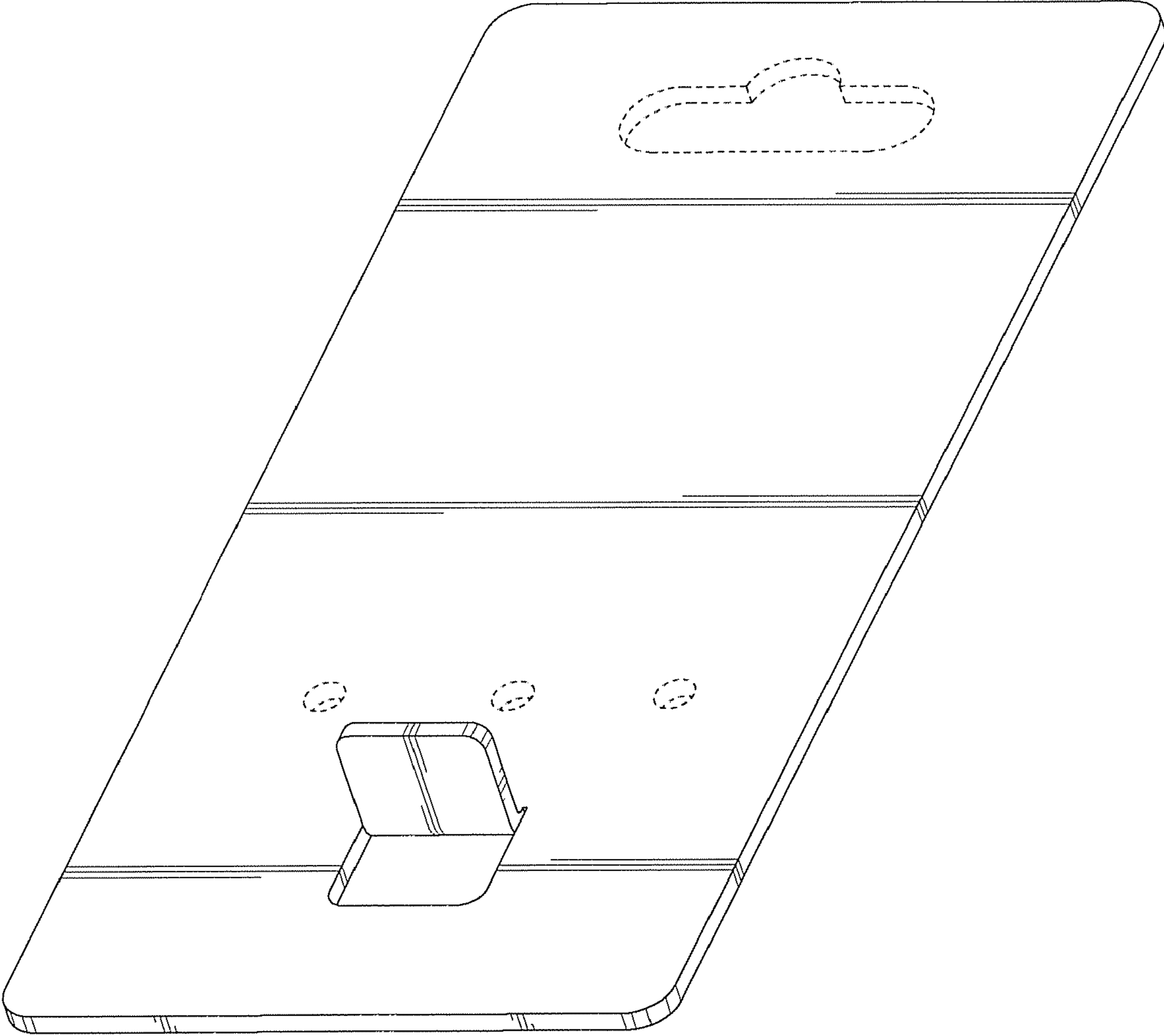


FIG. 4

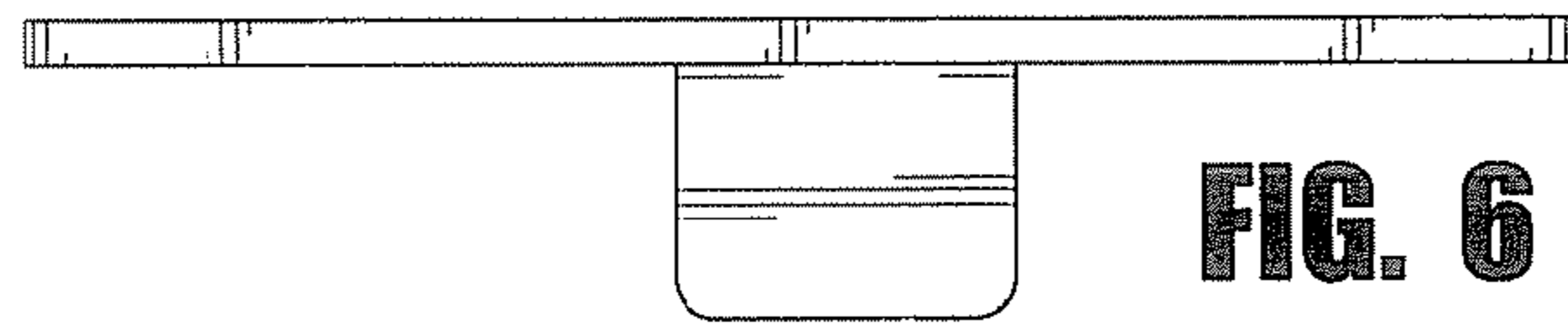


FIG. 6

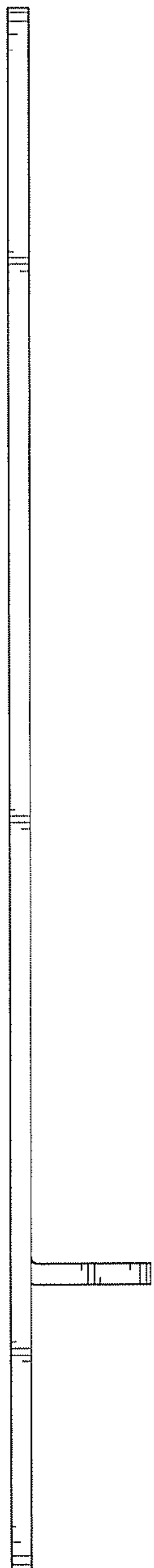


FIG. 8

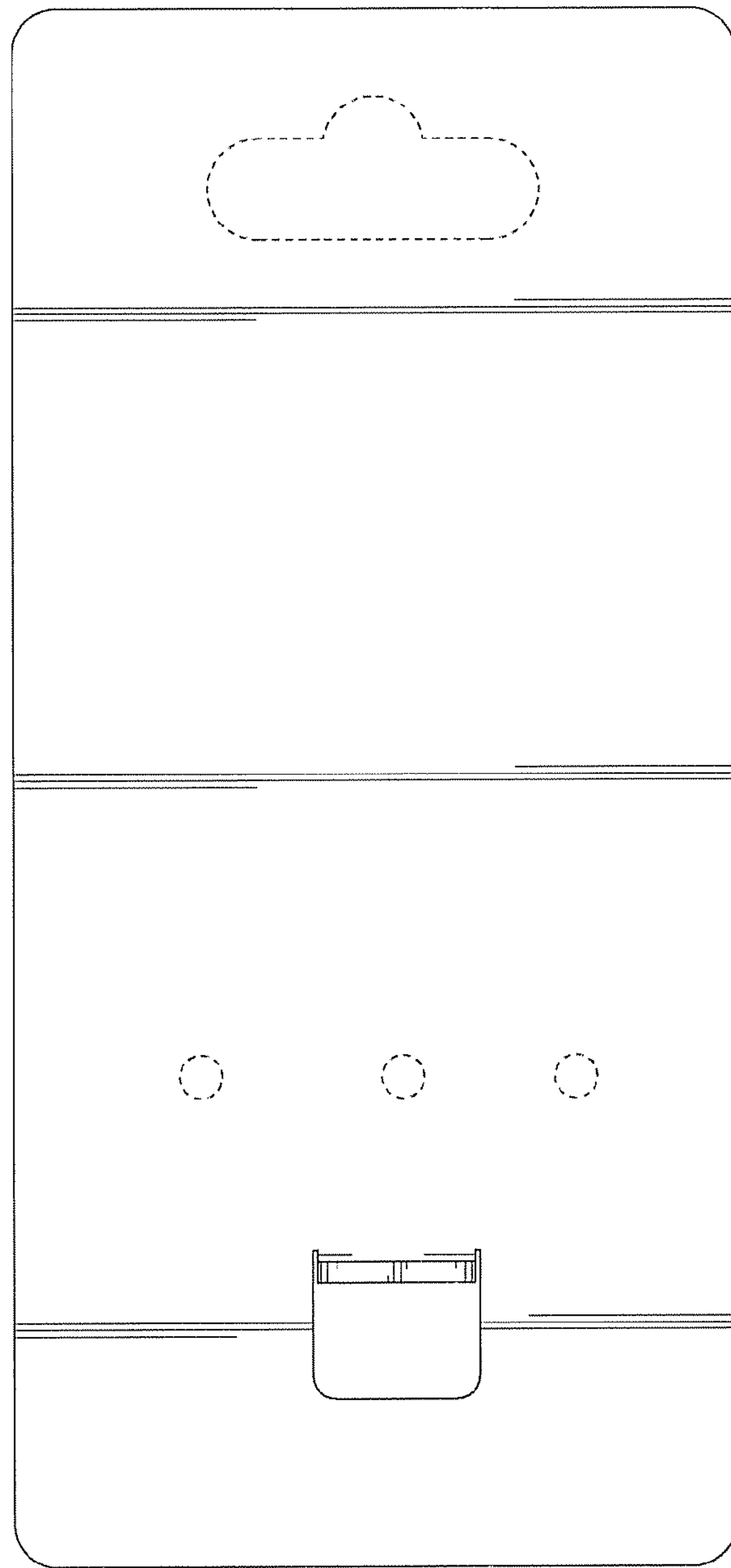


FIG. 7

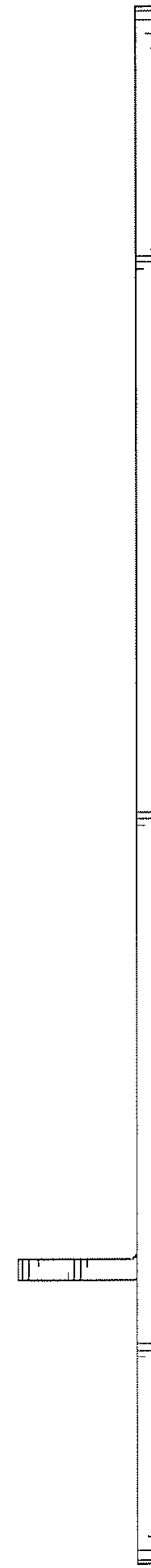


FIG. 5

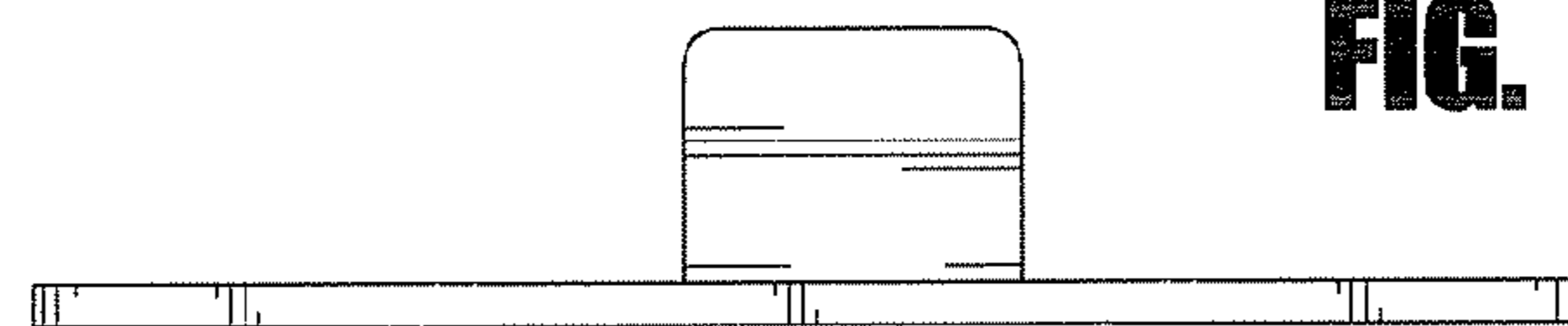


FIG. 9

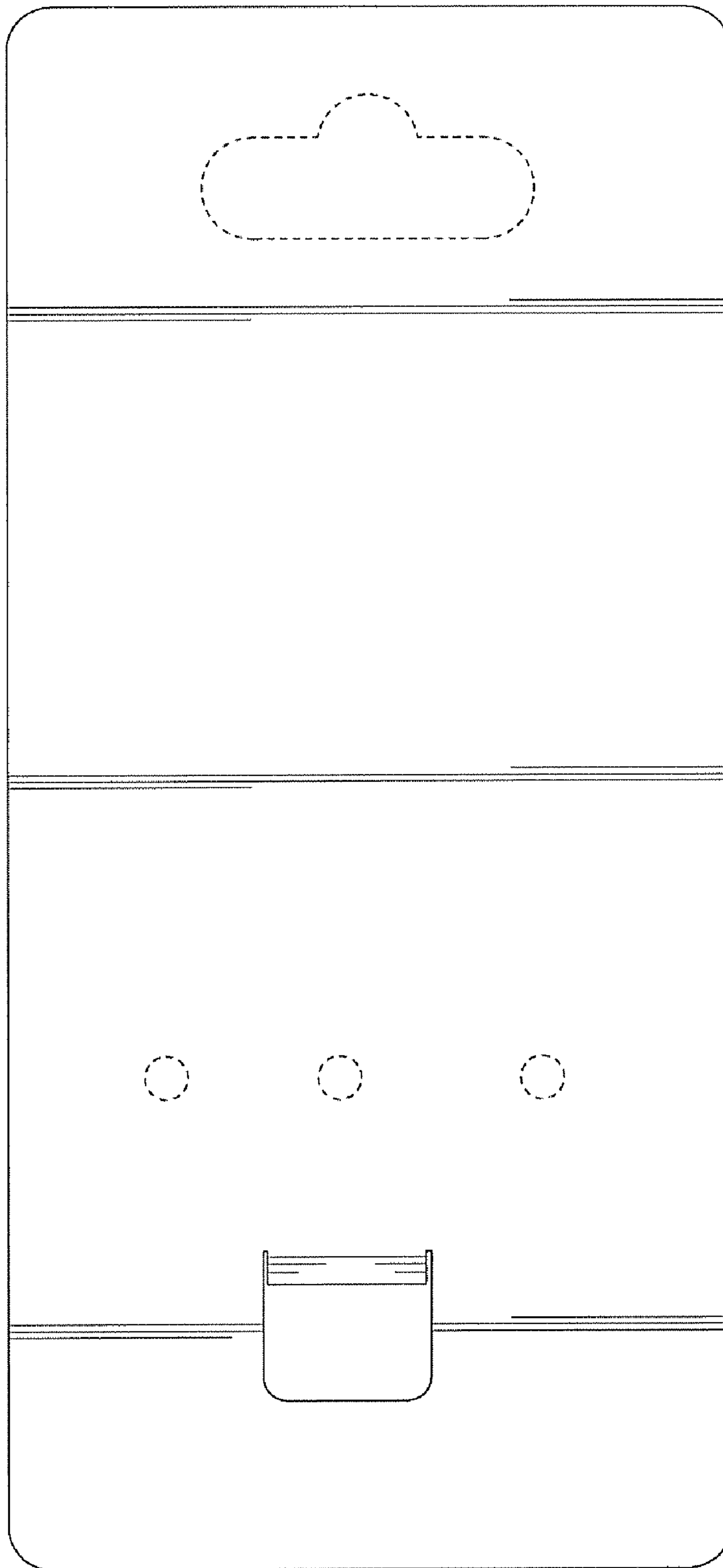


FIG. 10