



US00D571655S

(12) **United States Design Patent**
Lovett

(10) **Patent No.:** **US D571,655 S**
(45) **Date of Patent:** **** Jun. 24, 2008**

(54) **CONTAINER**

(75) Inventor: **James Kyle Lovett**, Atlanta, GA (US)

(73) Assignee: **InnoWare Plastic, Inc.**, Alpharetta, GA (US)

(**) Term: **14 Years**

(21) Appl. No.: **29/284,020**

(22) Filed: **Aug. 29, 2007**

(51) **LOC (8) Cl.** **09-03**

(52) **U.S. Cl.** **D9/425; D9/737**

(58) **Field of Classification Search** D9/737,
D9/761, 759, 414, 420-426, 430-432; D7/553.1,
D7/553.6, 553.7, 553.8, 629, 602; 206/564,
206/541; 220/4.23, 835, 839, 555, 575, 4.26,
220/4.27, 556, 557, 553; 229/902-904, 906,
229/406, 407, 110

See application file for complete search history.

(56) **References Cited**

U.S. PATENT DOCUMENTS

- D269,854 S * 7/1983 Comisso D9/761
- D375,259 S * 11/1996 Whitehead D9/761
- D427,525 S * 7/2000 Hayes et al. D9/431
- D489,254 S * 5/2004 Kocis et al. D9/425
- D536,992 S * 2/2007 Garg et al. D9/737
- D551,546 S * 9/2007 Ramirez et al. D9/425

D552,487 S * 10/2007 Chou D9/737
2004/0026430 A1 * 2/2004 Baker et al. 220/575

* cited by examiner

Primary Examiner—Stella M. Reid

Assistant Examiner—Mark A Goodwin

(74) *Attorney, Agent, or Firm*—Baker Donelson

(57) **CLAIM**

The ornamental design for a container, as shown and described.

DESCRIPTION

FIG. 1 is a perspective view of a container showing my new design with the lid shown in a partially open position;

FIG. 2 is a perspective view thereof shown in a closed position;

FIG. 3 is a perspective view of the container having the base and the lid in an opened position;

FIG. 4 is a top view thereof shown in a fully open position;

FIG. 5 is a bottom view thereof;

FIG. 6 is a rear view of the container shown in a closed position;

FIG. 7 is a front view thereof; and,

FIG. 8 is a left side view thereof, the right side being a mirror image thereof.

1 Claim, 5 Drawing Sheets

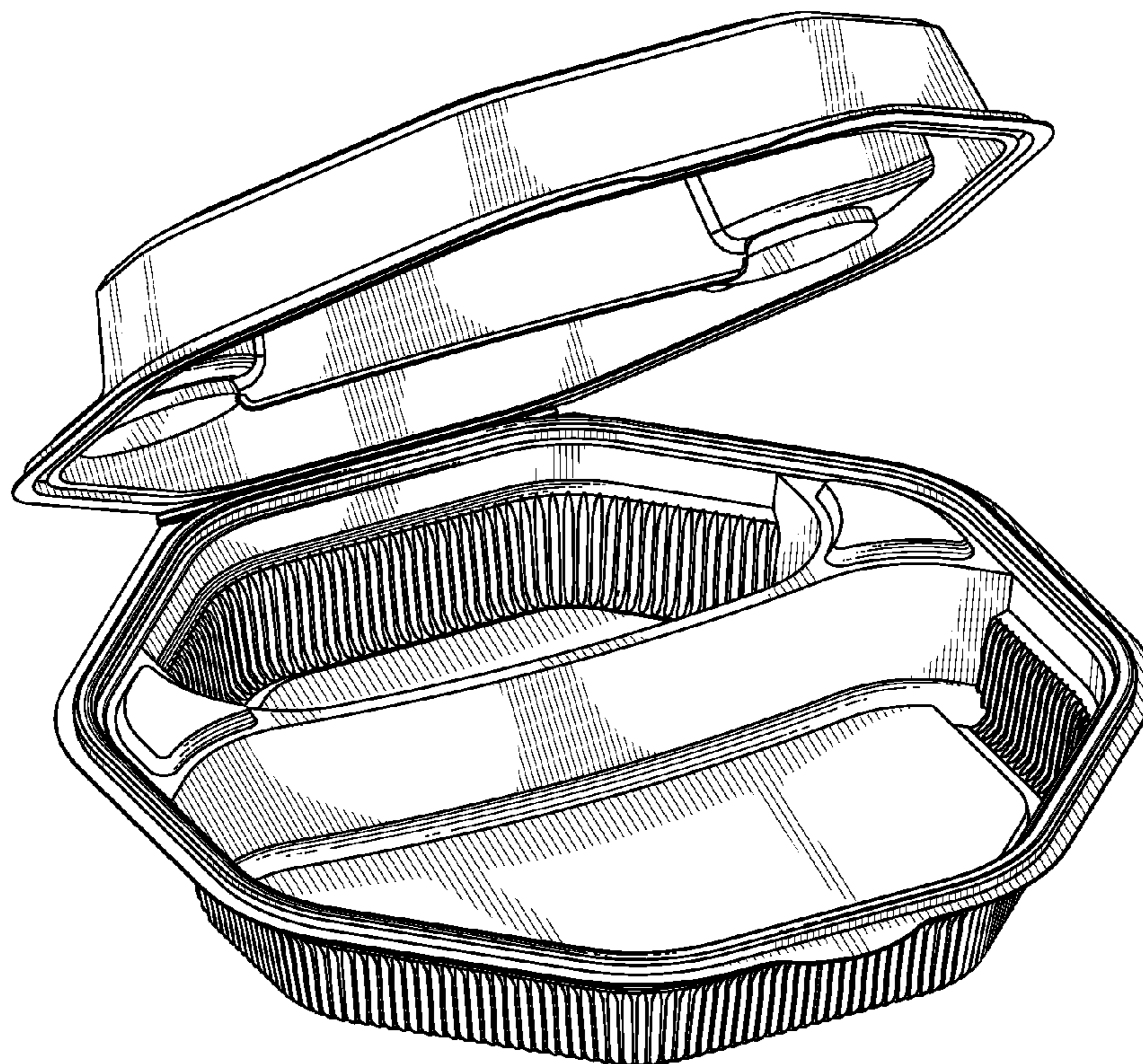


Fig. 1

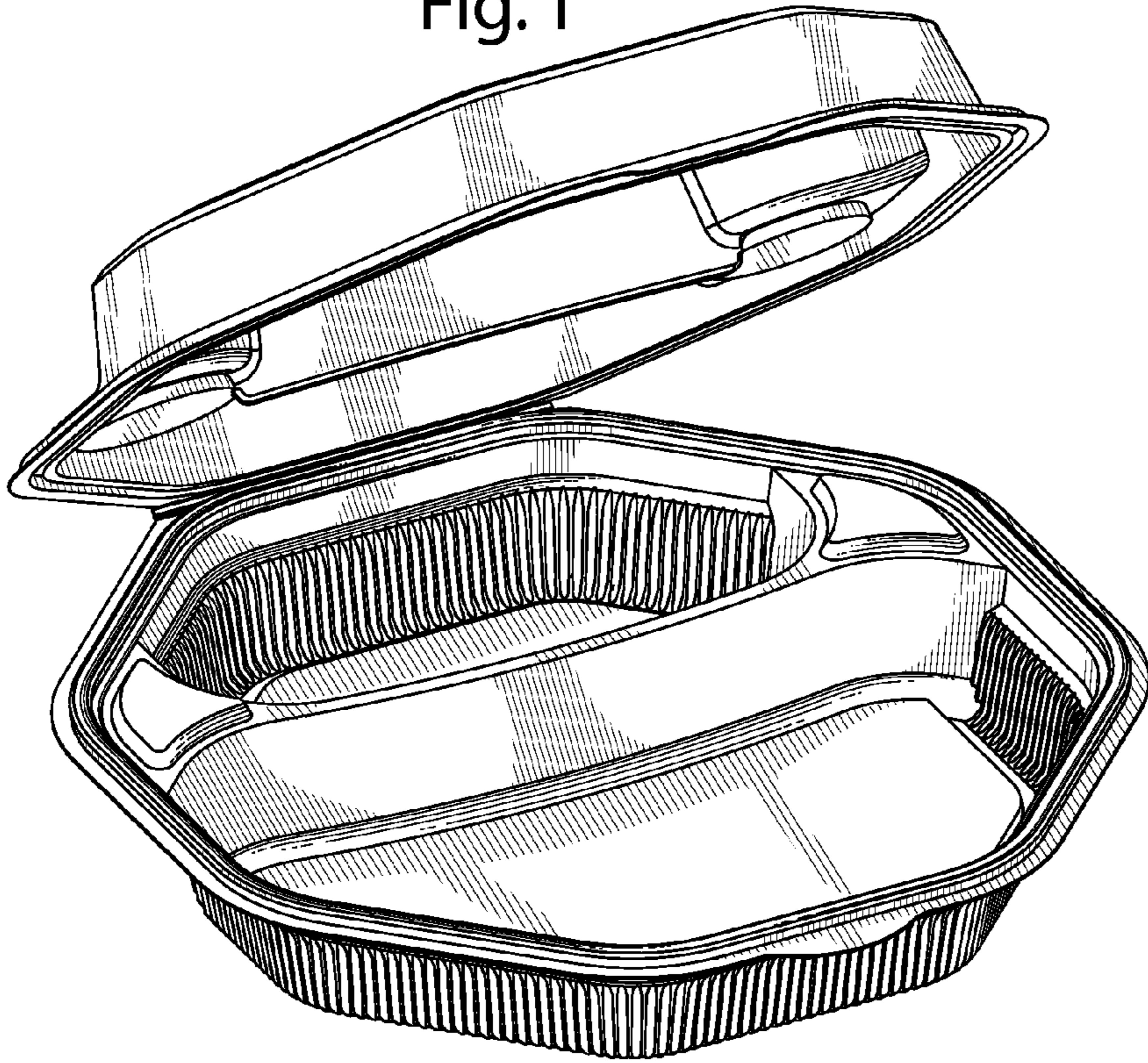


Fig. 2

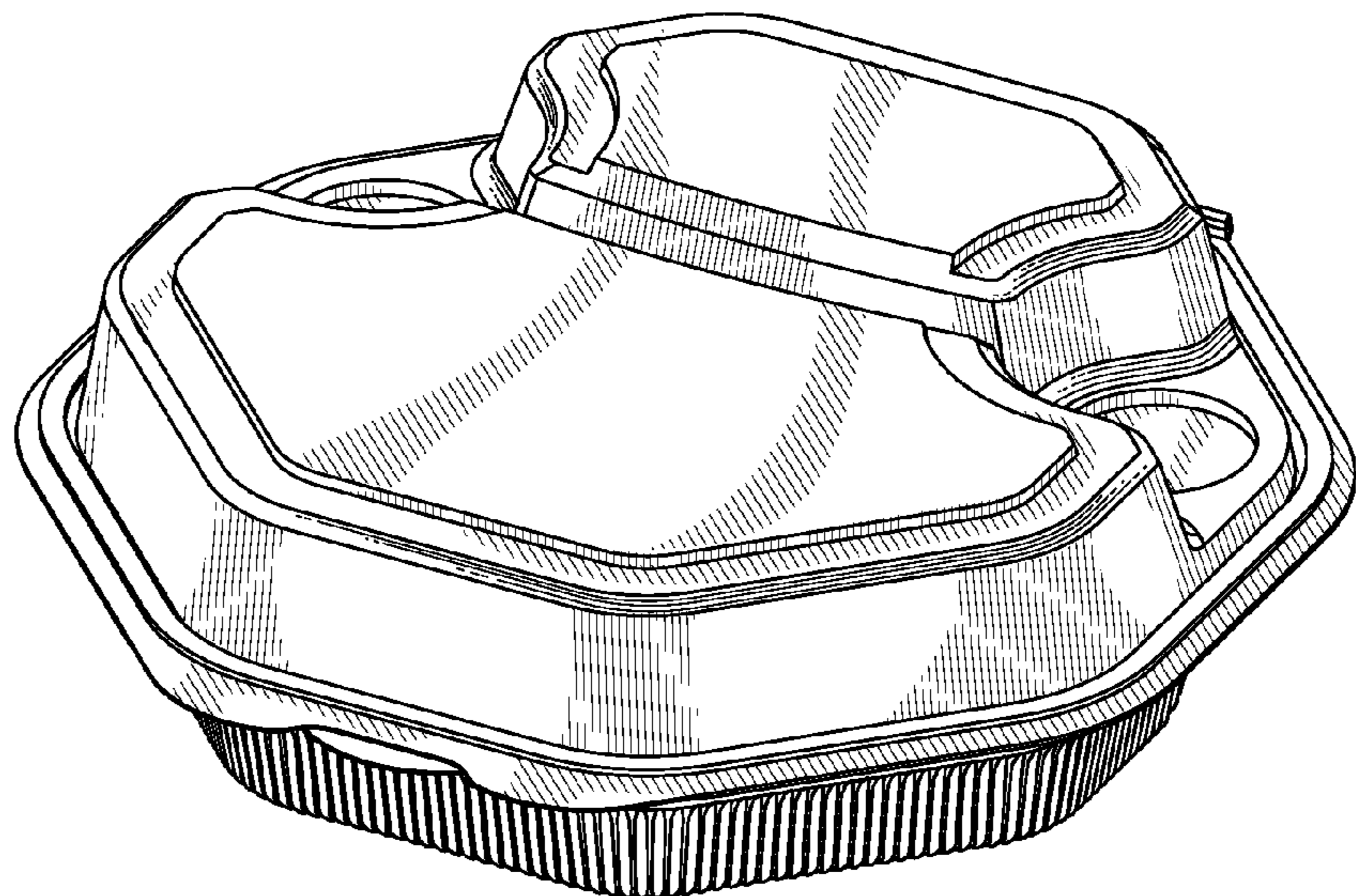


Fig. 3

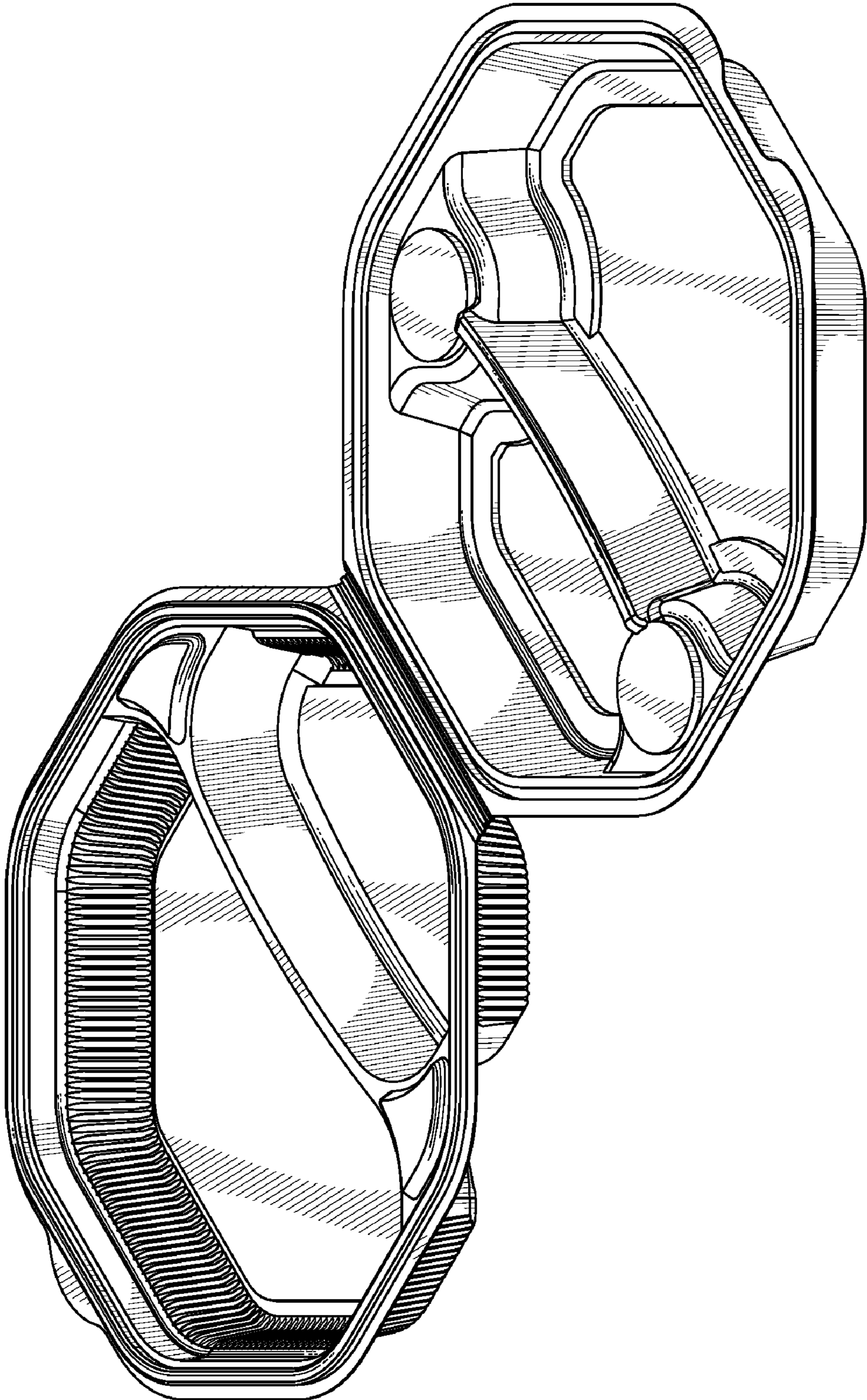


Fig. 4

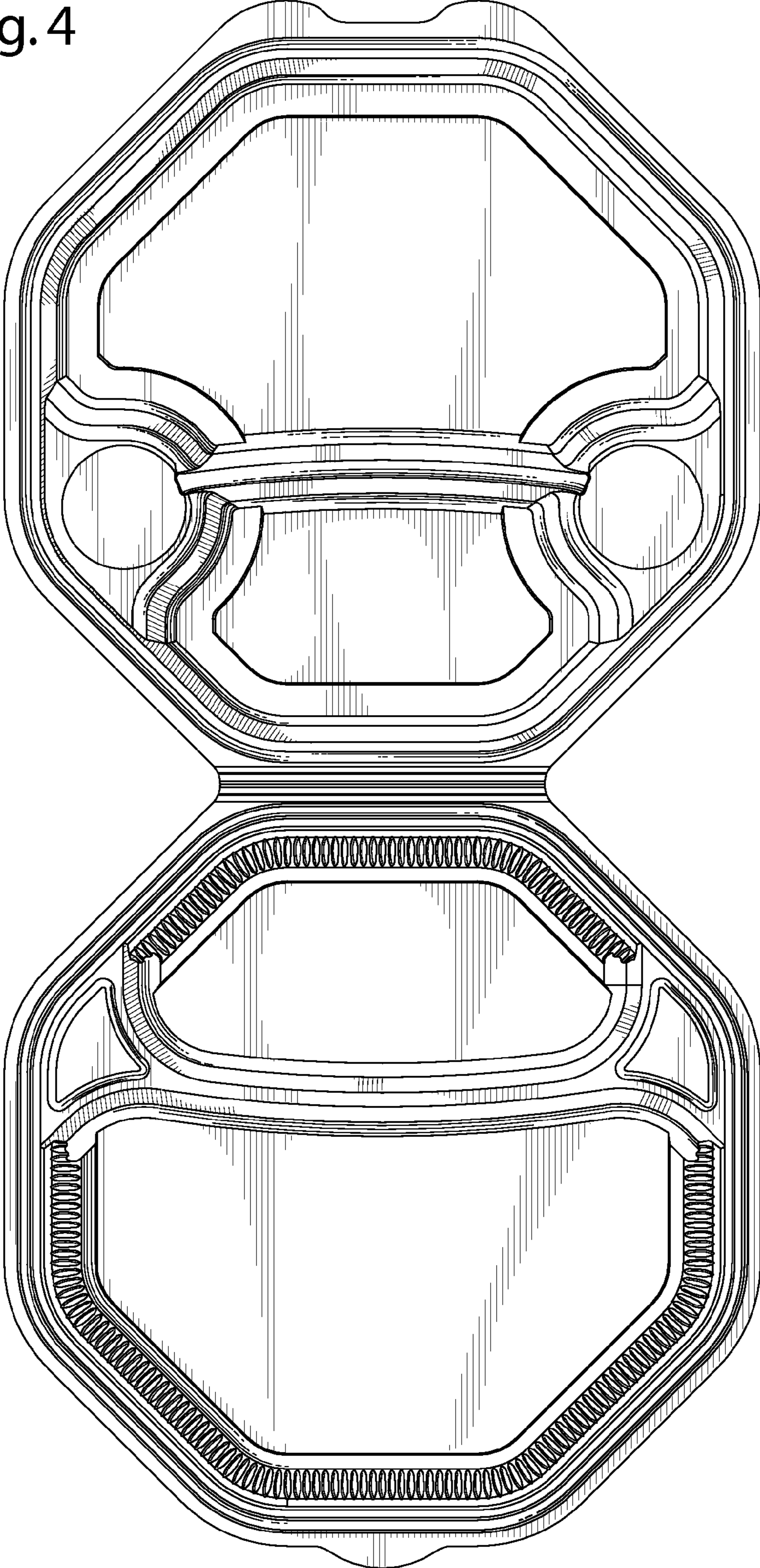


Fig. 5

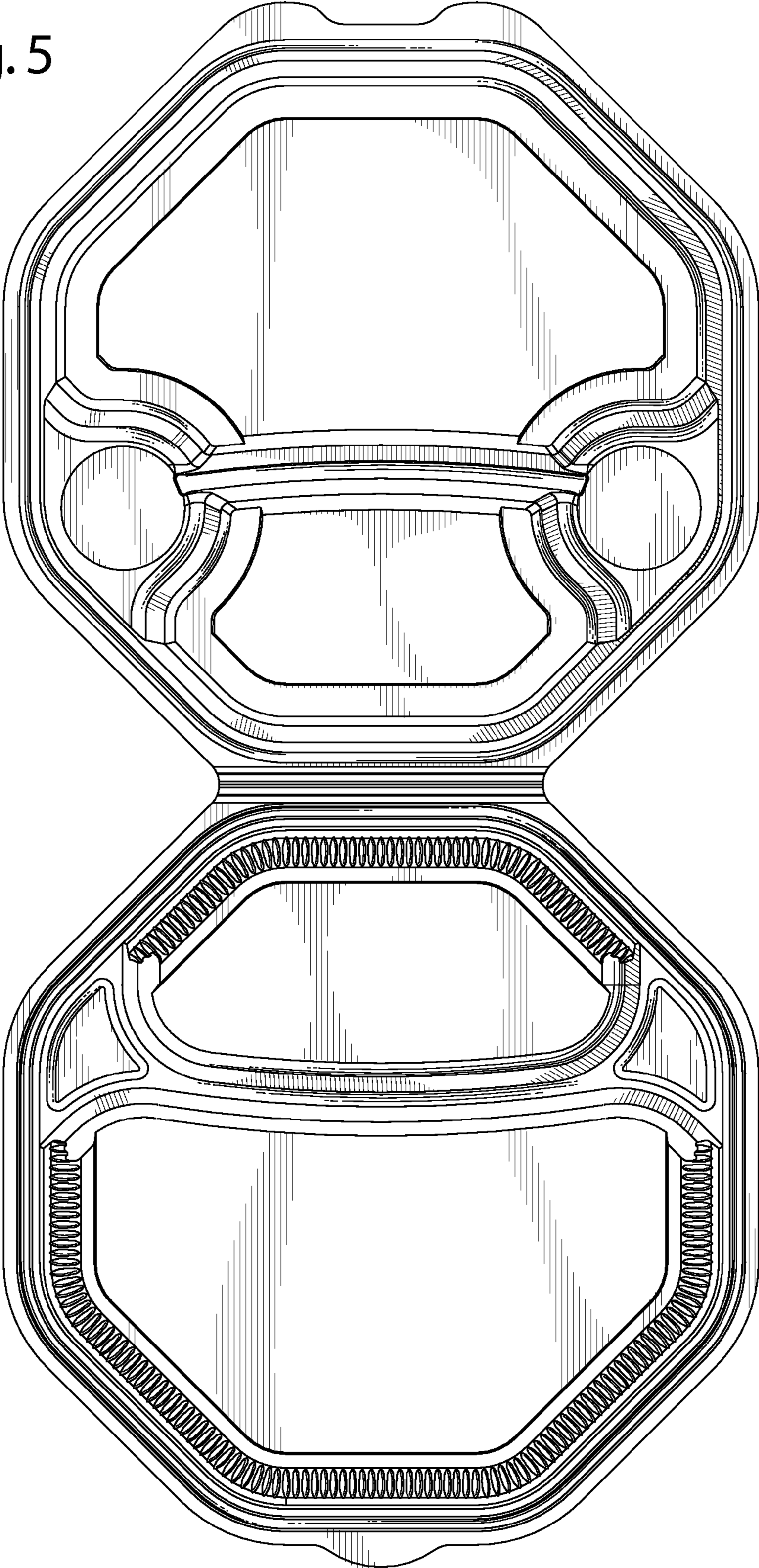


Fig. 6

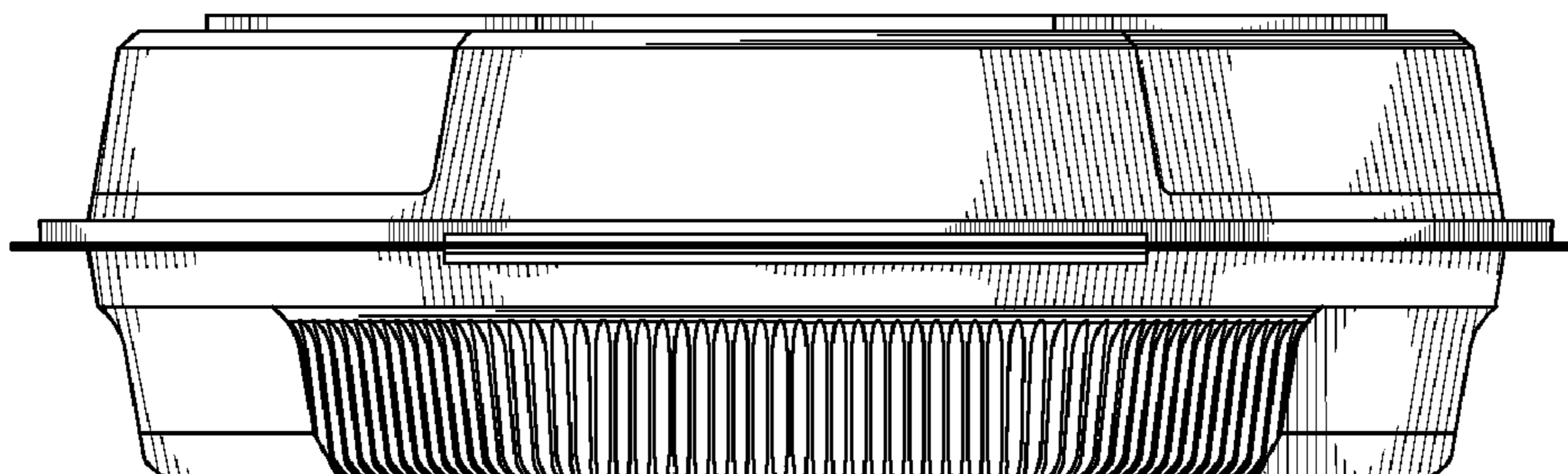


Fig. 7

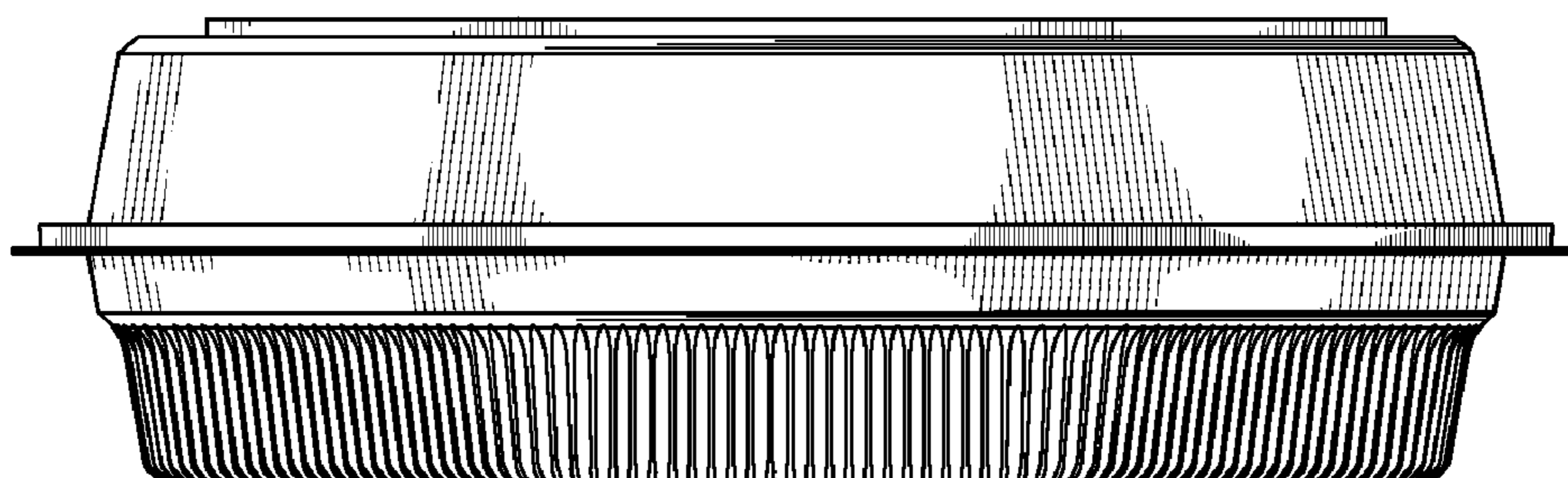


Fig. 8

