



US00D571654S

(12) **United States Design Patent**
Maroofian et al.

(10) **Patent No.:** **US D571,654 S**
(45) **Date of Patent:** **** Jun. 24, 2008**

(54) **HINGED COOKIE CONTAINER**

(75) Inventors: **Ira Maroofian**, Woodland Hills, CA (US); **Tim Oberloier**, Vernon, CA (US)

(73) Assignee: **PWP Industries**, Vernon, CA (US)

(**) Term: **14 Years**

(21) Appl. No.: **29/285,267**

(22) Filed: **Mar. 24, 2007**

(51) **LOC (8) Cl.** **09-03**

(52) **U.S. Cl.** **D9/420**

(58) **Field of Classification Search** D9/414,
D9/415, 416, 419, 420, 423, 424, 425, 426,
D9/429, 432; 206/541, 815; D7/602, 629;
220/315, 324; 229/406, 407, 902

See application file for complete search history.

(56) **References Cited**

U.S. PATENT DOCUMENTS

D151,679 S *	11/1948	Braun et al.	D9/423
3,937,389 A *	2/1976	Wind	229/406
D253,456 S *	11/1979	Payne	D9/426
D277,167 S *	1/1985	Dart	D9/414
D312,781 S *	12/1990	Rigby	D9/420
D323,114 S *	1/1992	Sheehan	D9/420
D332,218 S *	1/1993	Serna	D9/430
D382,956 S *	8/1997	Collins	D23/420
D540,666 S *	4/2007	Ramirez et al.	D9/423
D546,632 S *	7/2007	Oberloier	D7/629

2001/0002268 A1* 5/2001 Hanson et al. 426/106

* cited by examiner

Primary Examiner—Daniel D Bui

Assistant Examiner—Thomas J Johannes

(74) *Attorney, Agent, or Firm*—Terrance Mason

(57) **CLAIM**

The ornamental design for a hinged cookie container, as shown and described.

DESCRIPTION

The claimed food package with is intended to be used to eliminate the display the package contents when they are stacked ready for sale at a retail site.

FIG. 1 is an isometric view of the food package of the present invention in an open state;

FIG. 2 is an isometric view of the invention in FIG. 1 in its closed state;

FIG. 3 is a top view thereof;

FIG. 4 is a bottom view thereof;

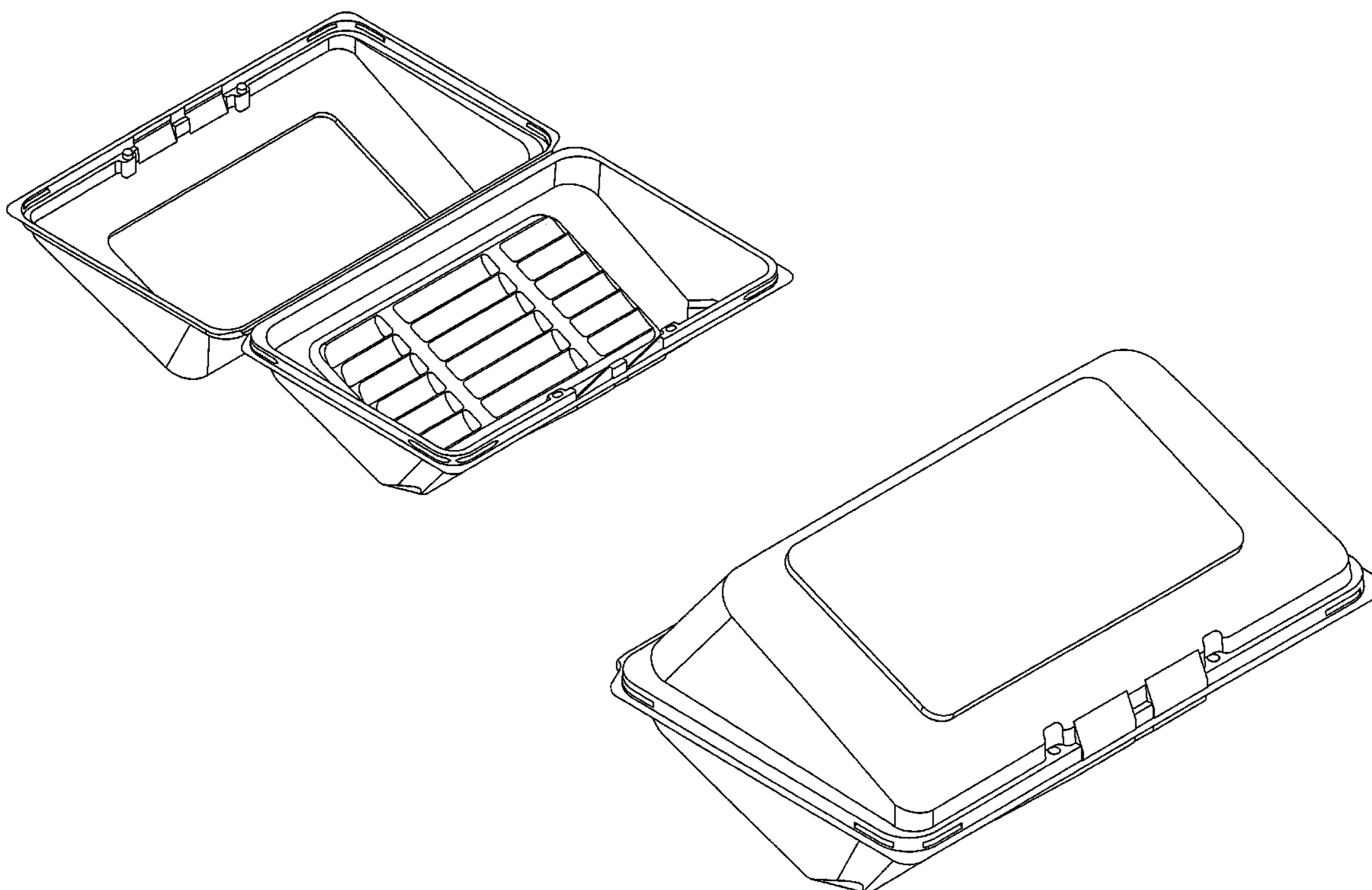
FIG. 5 is an elevational view of the back thereof;

FIG. 6 is an elevational view of the front thereof;

FIG. 7 is an elevational view of the first side, the opposite side being a mirror image view thereof; and,

FIG. 8 is an elevational view of the second side, the opposite side being a mirror image thereof.

1 Claim, 8 Drawing Sheets



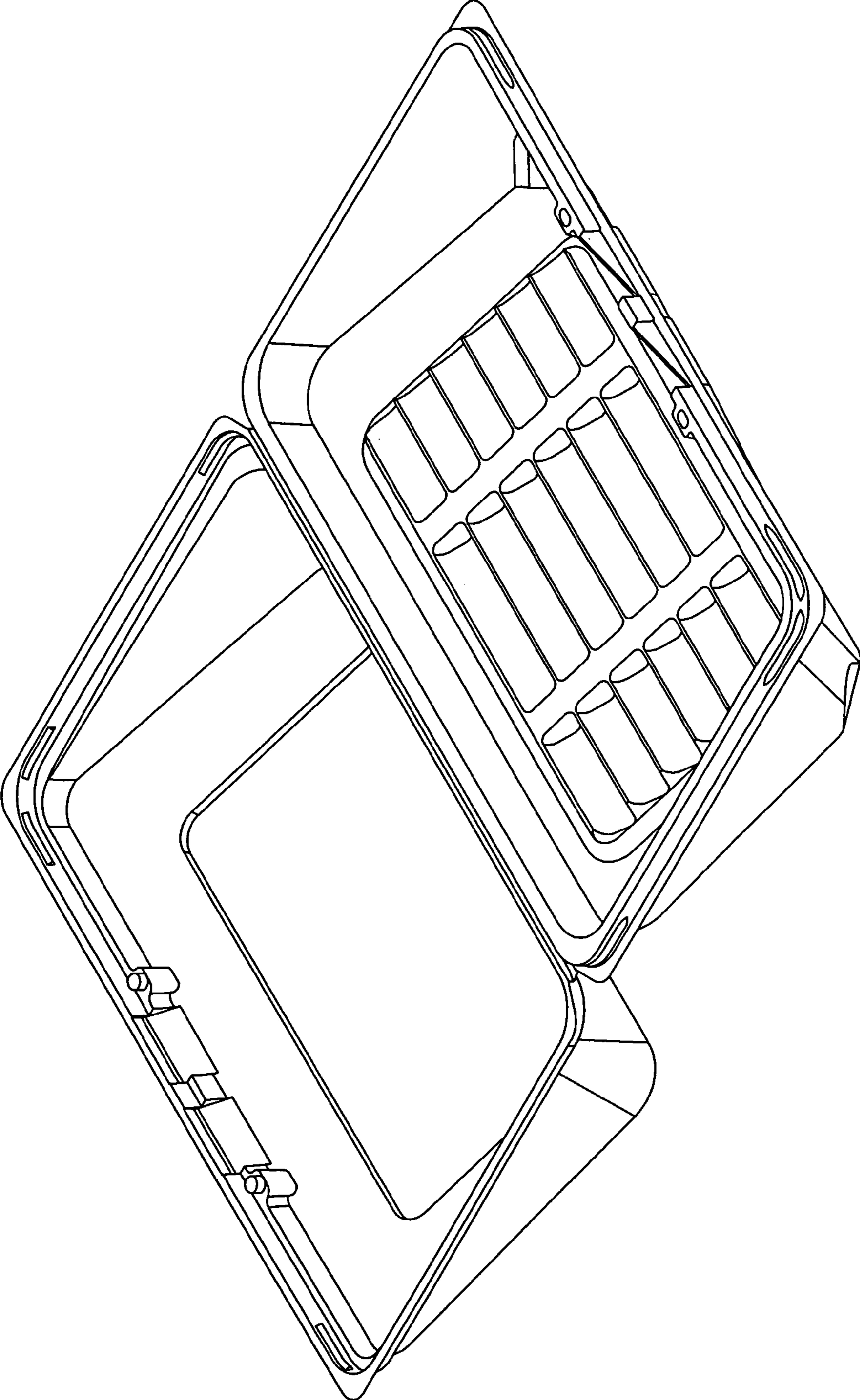


FIG. 1

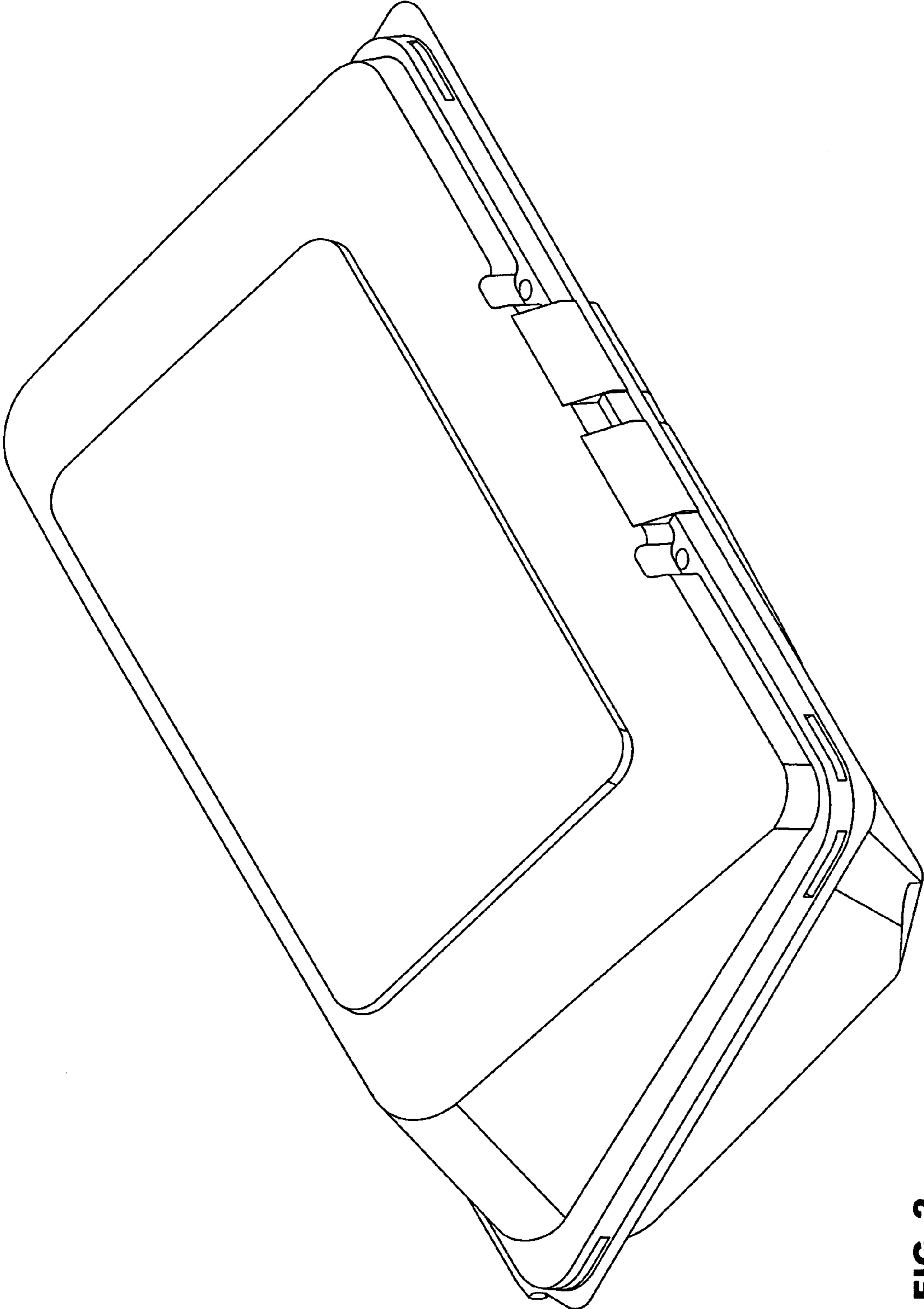


FIG. 2

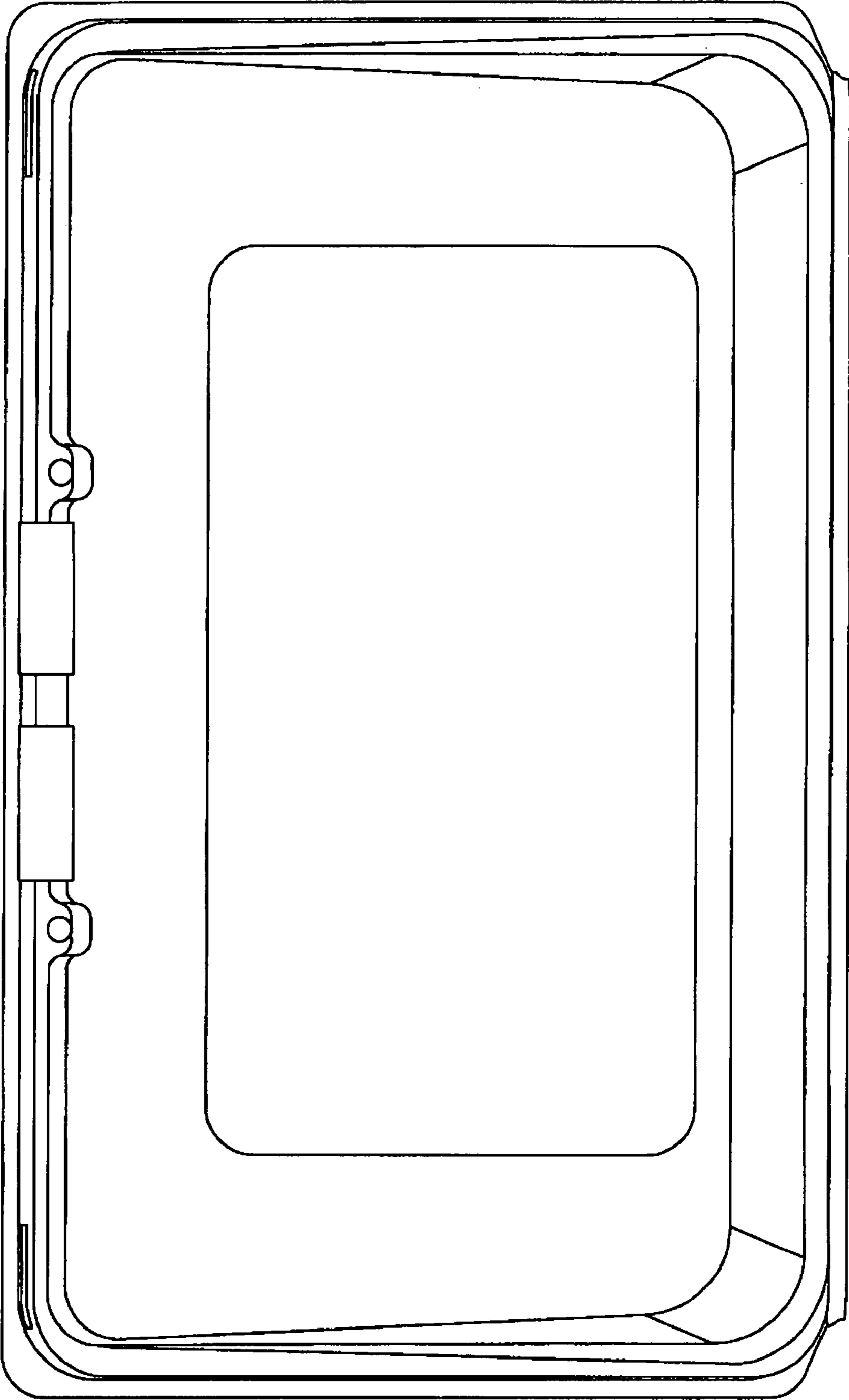


FIG. 3

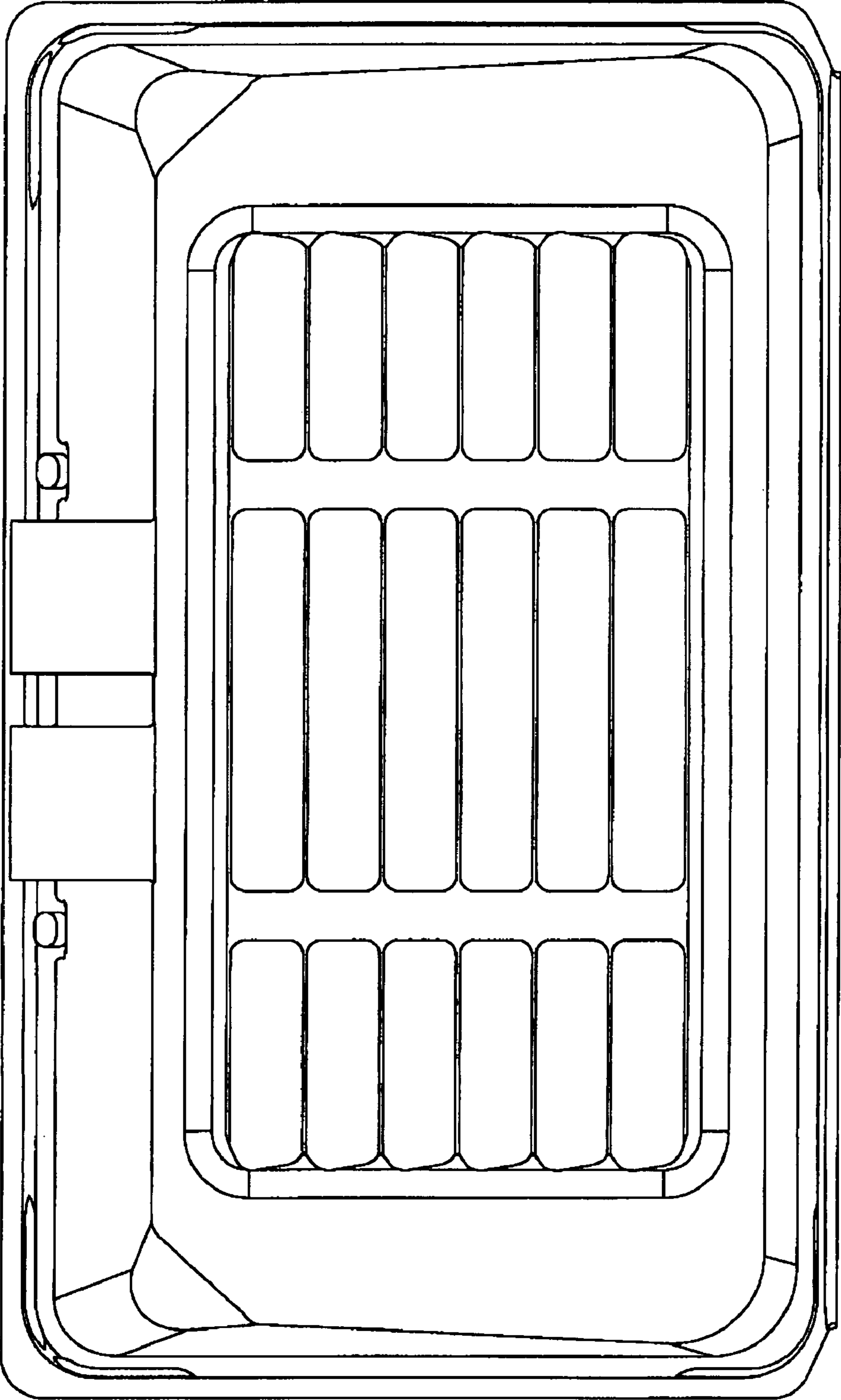


FIG. 4

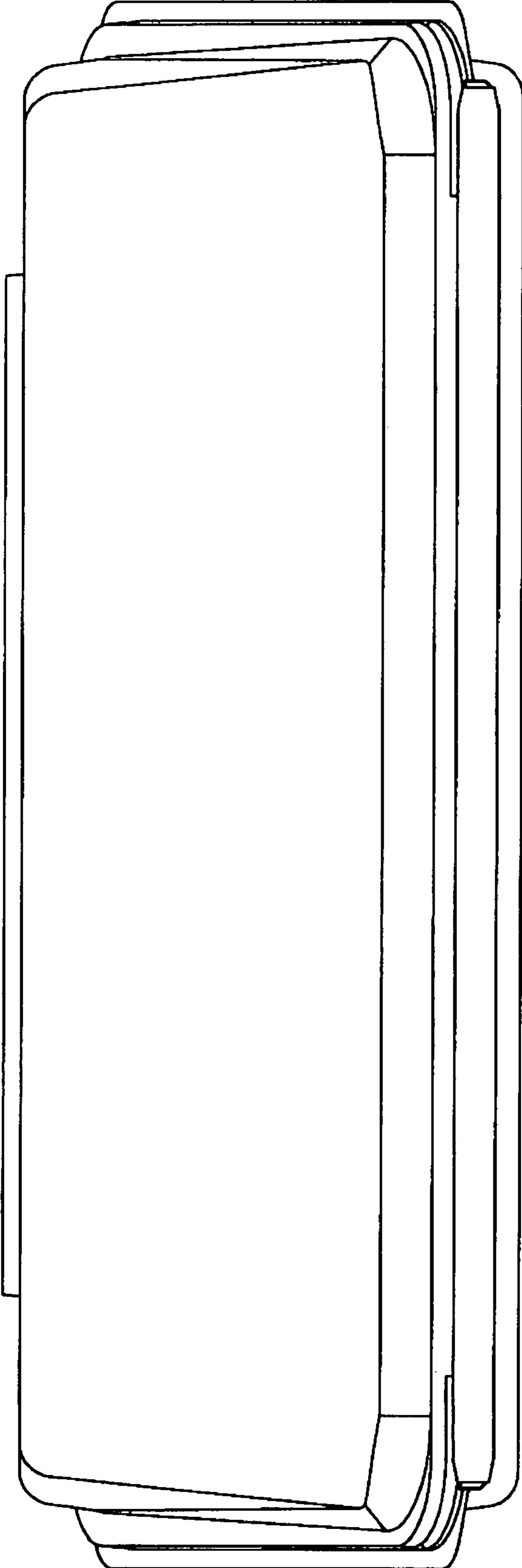


FIG. 5

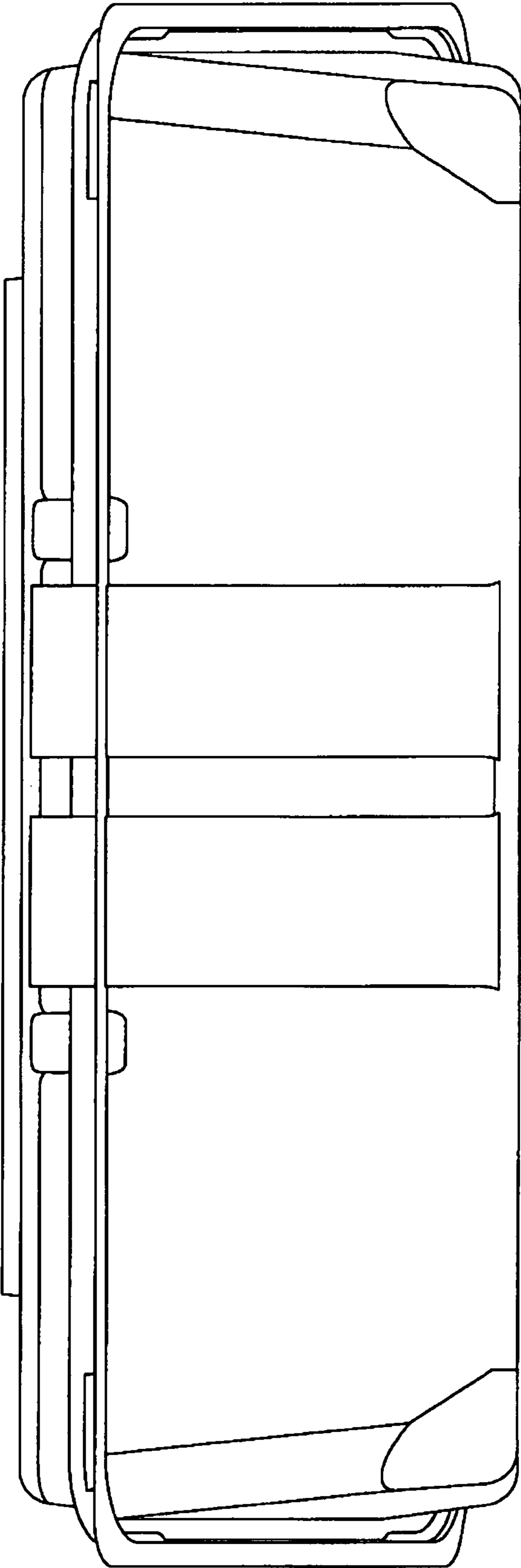


FIG. 6

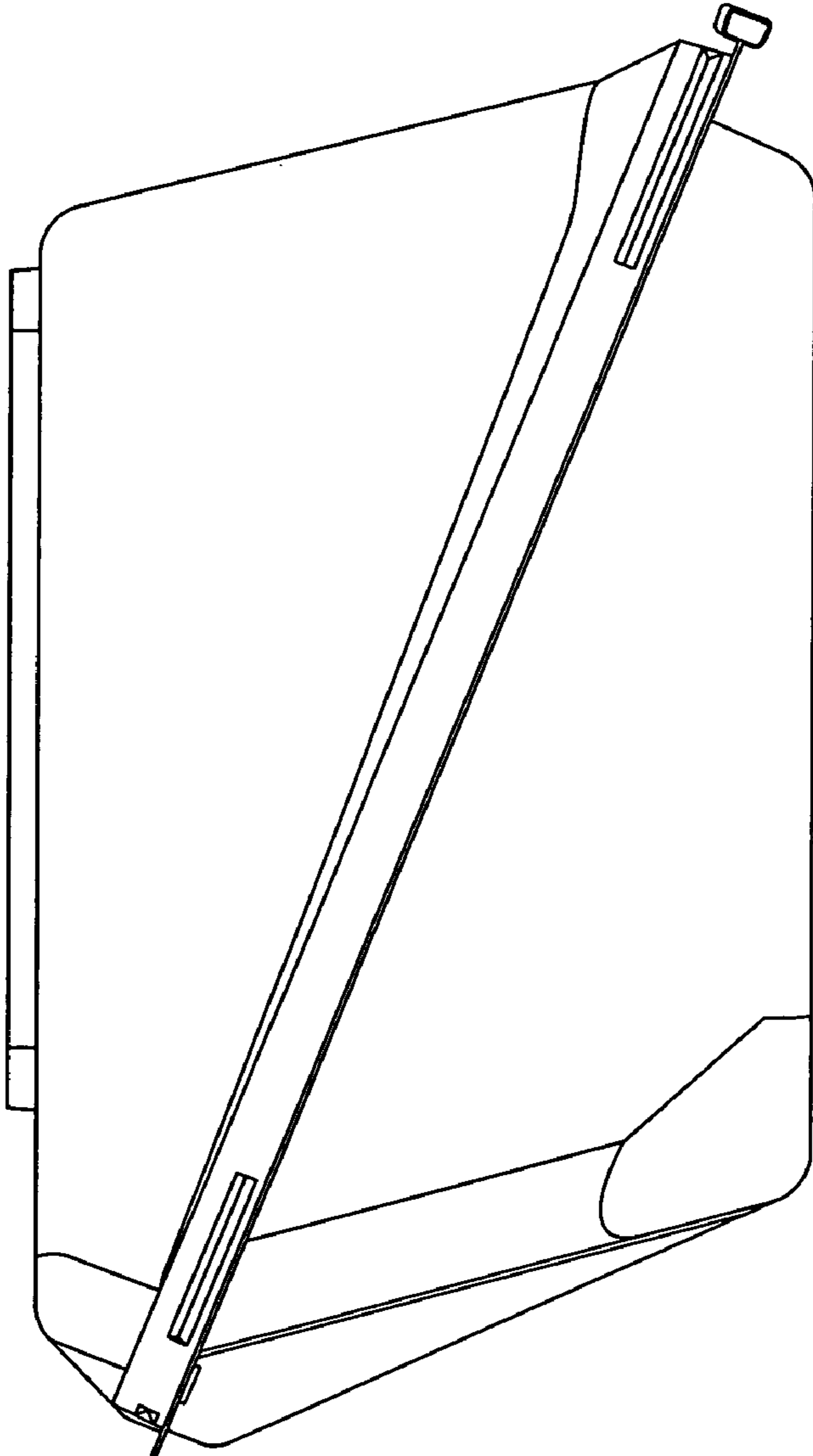


FIG. 7

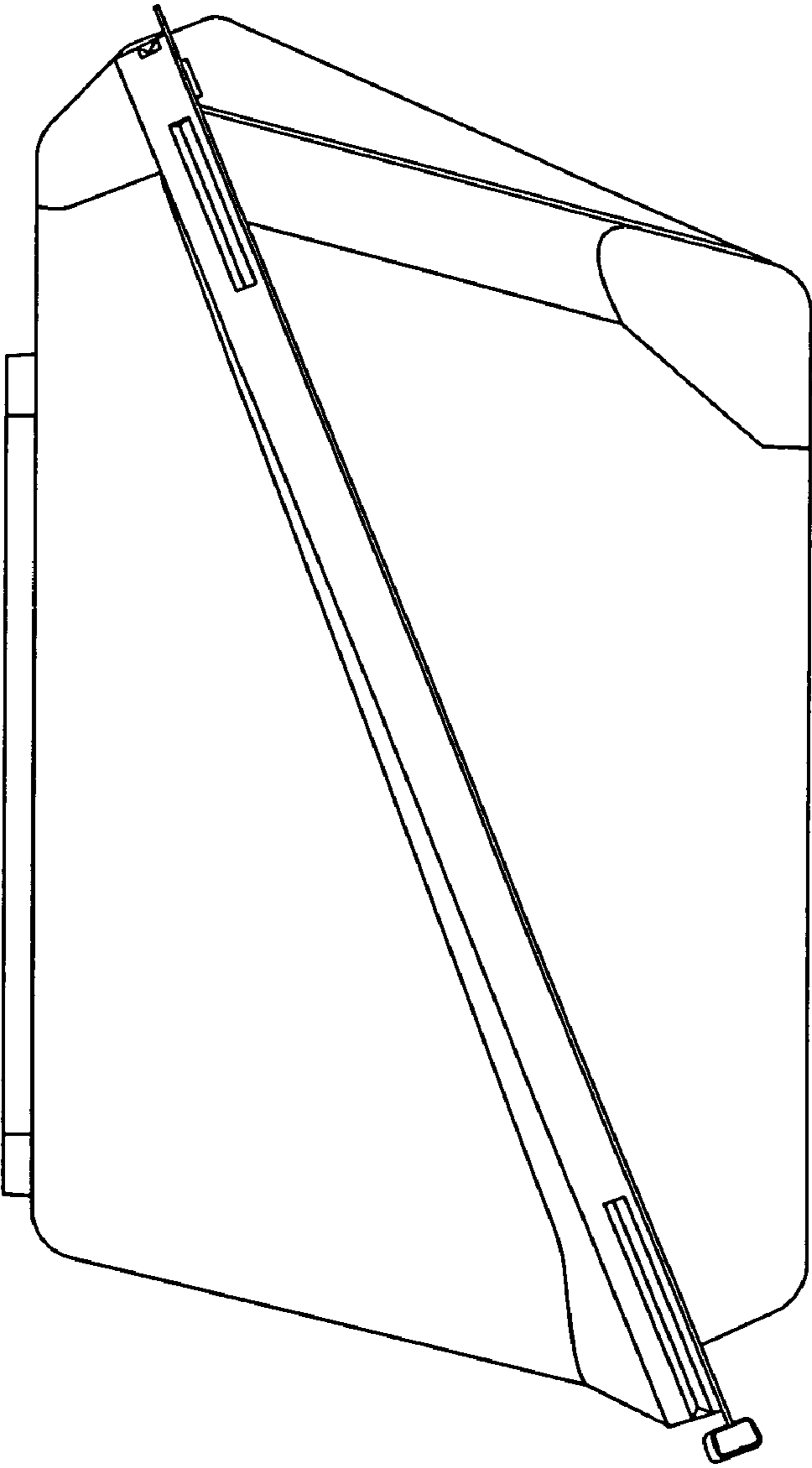


FIG. 8