



US00D571651S

(12) **United States Design Patent**  
**Lee**

(10) **Patent No.:** **US D571,651 S**  
(45) **Date of Patent:** **\*\* Jun. 24, 2008**

(54) **HINGE PIN DOOR STOP**

4,858,273 A \* 8/1989 Civitelli ..... 16/86 A  
4,998,941 A \* 3/1991 Smith ..... 16/375

(75) Inventor: **Chia Ying Lee**, Chicago, IL (US)

\* cited by examiner

(73) Assignee: **Liberty Hardware Mfg. Corp.**,  
Winston-Salem, NC (US)

*Primary Examiner*—Cathron Brooks  
*Assistant Examiner*—Barbara Fox

(\*\*) Term: **14 Years**

(74) *Attorney, Agent, or Firm*—Edgar A. Zarins; Lloyd D. Doigan

(21) Appl. No.: **29/286,159**

(57) **CLAIM**

(22) Filed: **Apr. 25, 2007**

The ornamental design for a hinge pin door stop, as shown and described.

(51) **LOC (8) Cl.** ..... **08-09**

(52) **U.S. Cl.** ..... **D8/402**

(58) **Field of Classification Search** ..... D8/400-499;  
16/82, 86 A, 86 R; 292/251.5, 340, 17, DIG. 15  
See application file for complete search history.

**DESCRIPTION**

FIG. 1 is a perspective view of a hinge pin door stop showing my new design;

FIG. 2 is a top plan view thereof;

FIG. 3 is a bottom plan view thereof;

FIG. 4 is a first side view thereof; and,

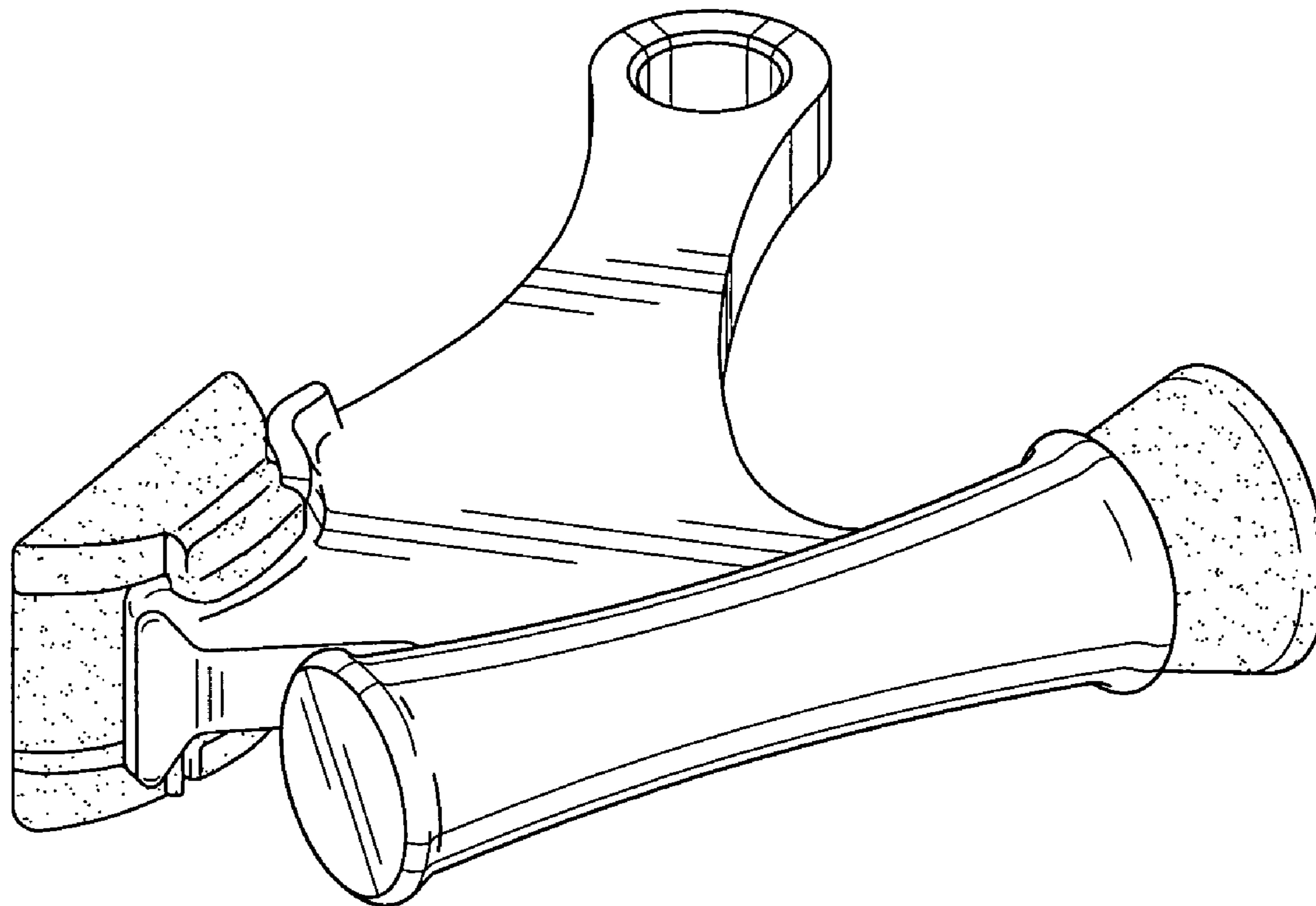
FIG. 5 is a second side view thereof.

(56) **References Cited**

U.S. PATENT DOCUMENTS

814,281 A \* 3/1906 Fritch ..... 292/136  
D194,452 S \* 1/1963 Holt ..... D8/402  
3,135,012 A \* 6/1964 Wessel ..... 16/375

**1 Claim, 3 Drawing Sheets**



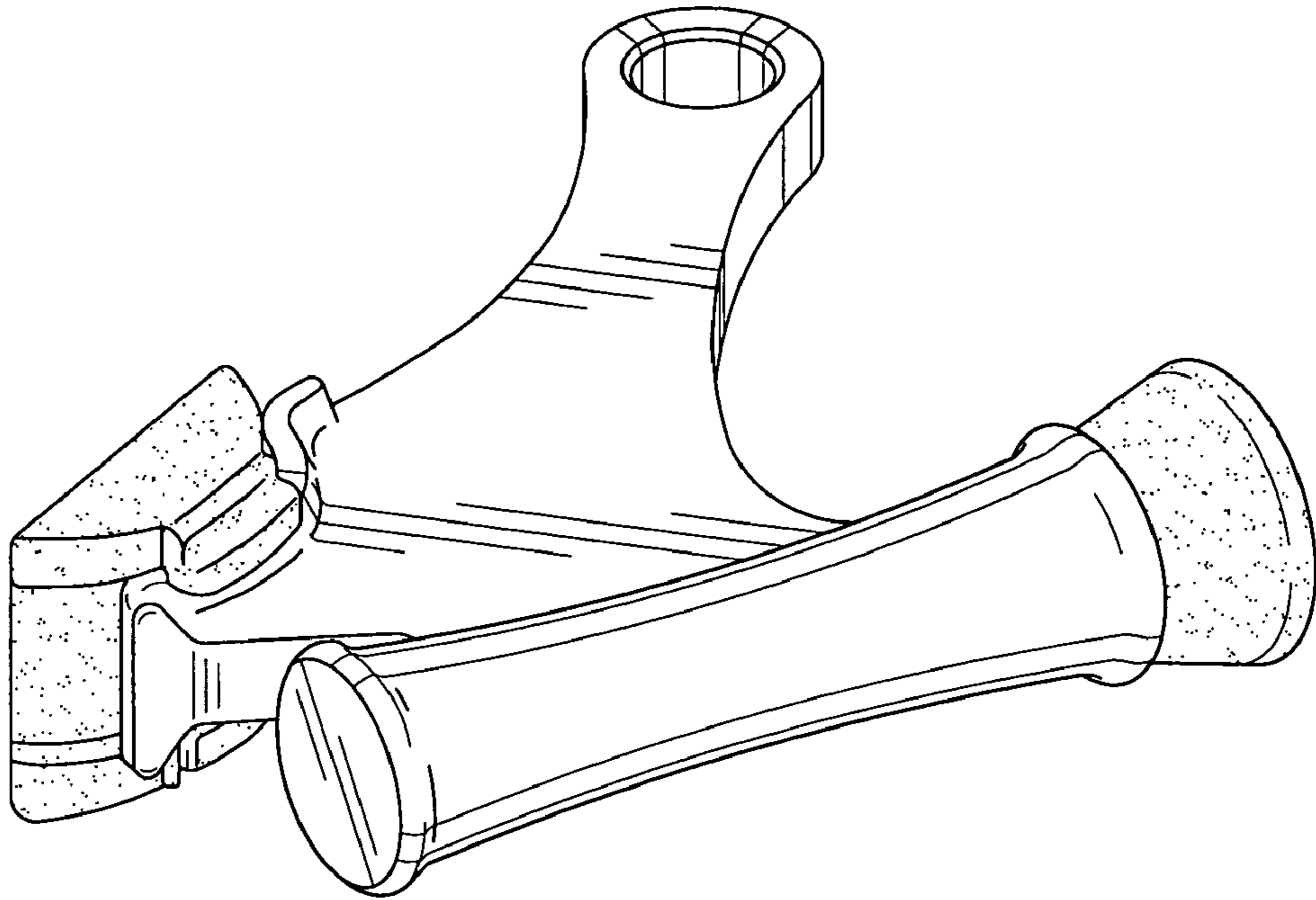


Fig-1

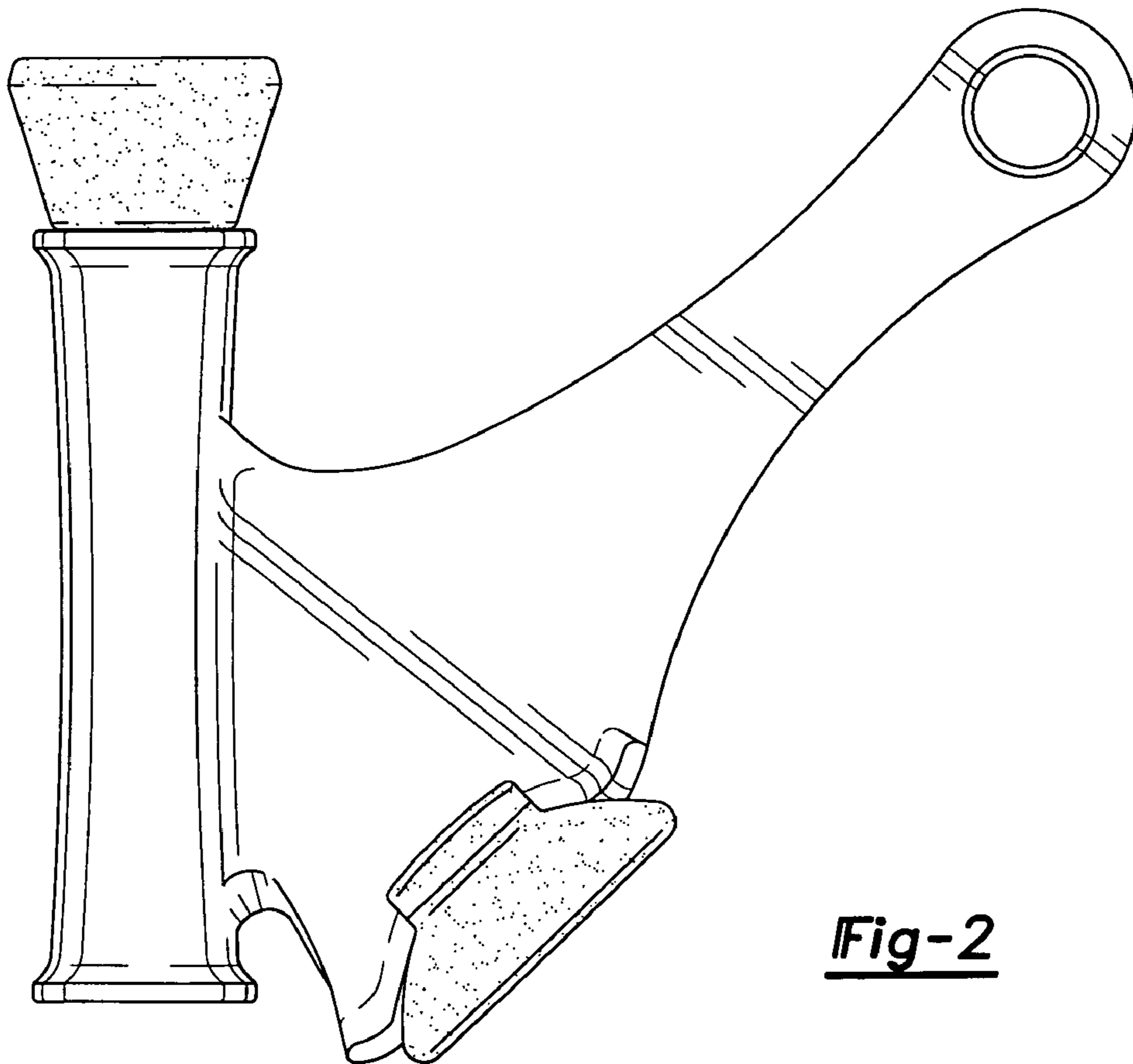


Fig-2

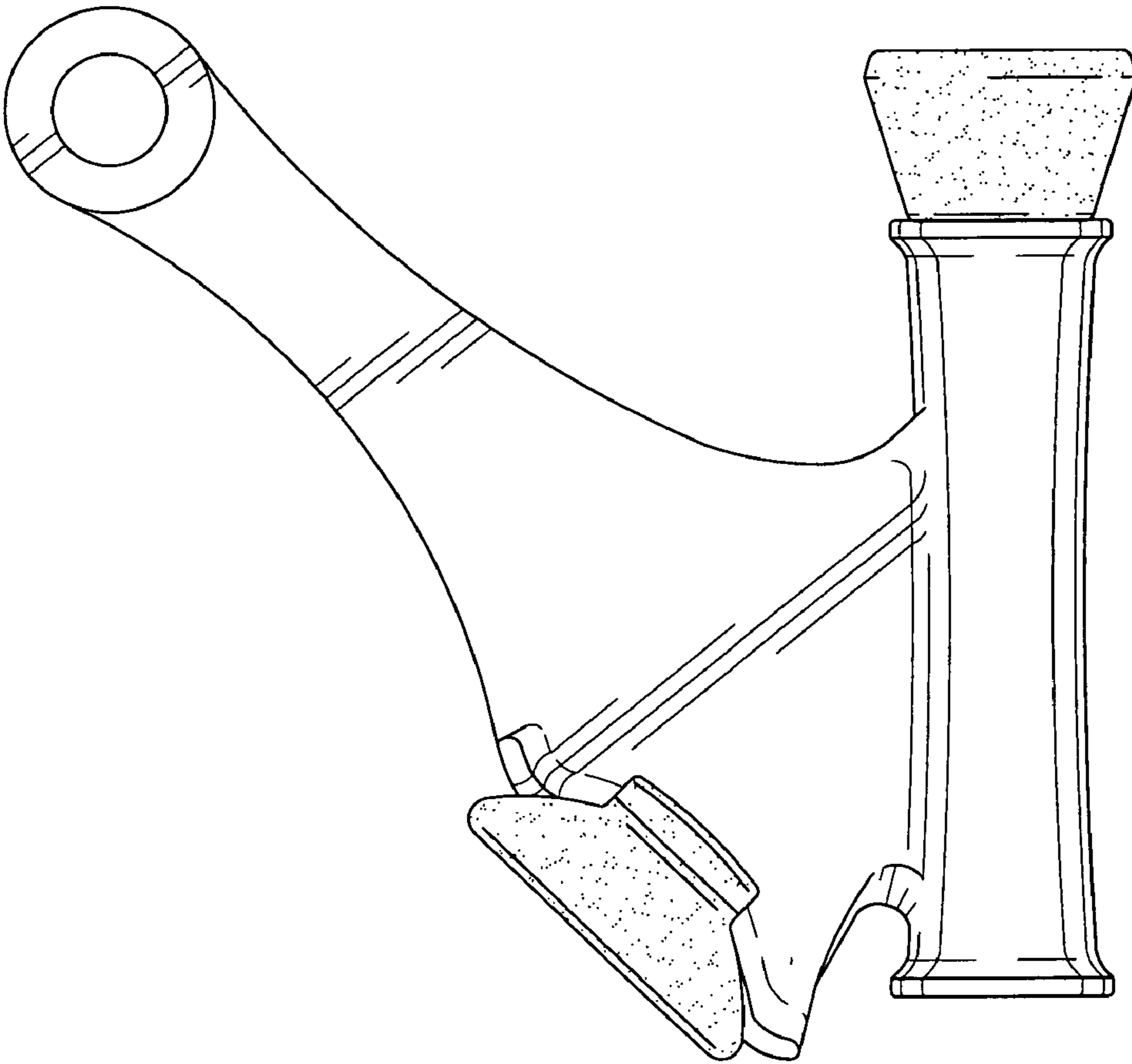


Fig-3

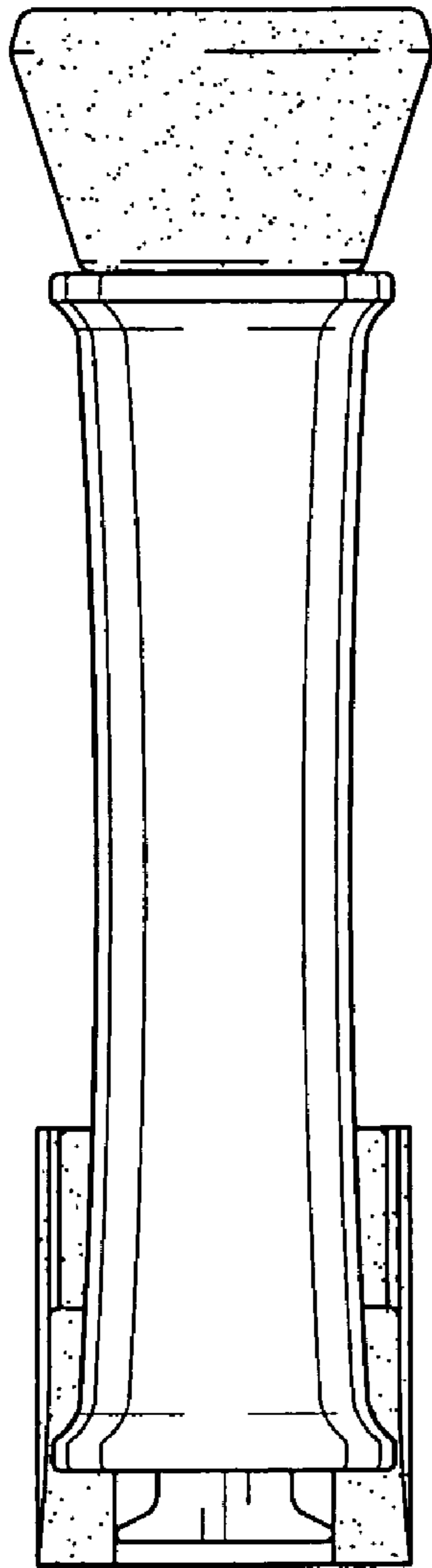


Fig-4

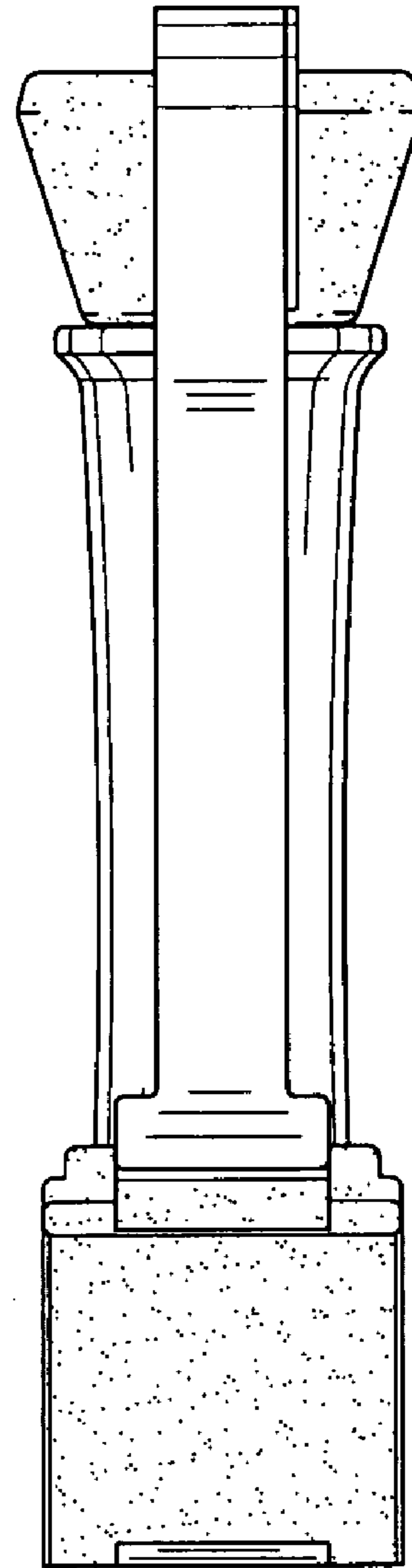


Fig-5