



US00D571649S

(12) **United States Design Patent**
Baker

(10) **Patent No.:** **US D571,649 S**
(45) **Date of Patent:** **** Jun. 24, 2008**

(54) **BAG CLIP**

(76) Inventor: **Jeff Baker**, 5515 Jessaine La., Orlando,
FL (US) 32839

(**) Term: **14 Years**

(21) Appl. No.: **29/295,309**

(22) Filed: **Sep. 26, 2007**

(51) **LOC (8) Cl.** **08-08**

(52) **U.S. Cl.** **D8/395**

(58) **Field of Classification Search** D8/394-396,
D8/72; D19/56, 65; 24/67.3; D32/60-64
See application file for complete search history.

(56) **References Cited**

U.S. PATENT DOCUMENTS

D132,127 S *	4/1942	Jons	D11/133
D227,235 S *	6/1973	Miller	D8/354
D229,033 S *	11/1973	Cooper	D8/395
D274,127 S *	6/1984	Einhorn et al.	D8/395
D302,568 S *	8/1989	Berger	D19/65
D383,970 S *	9/1997	Berman	D8/395
D412,343 S *	7/1999	Offenhauer	D19/65
D432,906 S *	10/2000	Stoddard	D8/395
D477,213 S *	7/2003	Jones et al.	D8/395
D497,186 S *	10/2004	Cetera	D19/88
D522,850 S *	6/2006	Mandel	D8/395
D523,477 S *	6/2006	Cetera	D19/65

D529,375 S *	10/2006	Cetera	D8/395
D550,550 S *	9/2007	Lee et al.	D8/395
D559,673 S *	1/2008	Dash	D8/395

* cited by examiner

Primary Examiner—Robert M. Spear
Assistant Examiner—John Windmuller

(74) *Attorney, Agent, or Firm*—Timothy H. Van Dyke;
Beusse Wolter Sanks Mora & Maire

(57) **CLAIM**

The ornamental design for a bag clip, as shown and described.

DESCRIPTION

FIG. 1 is a front perspective view of a bag clip showing my new design;

FIG. 2 is a rear perspective view thereof;

FIG. 3 is a front elevation view thereof;

FIG. 4 is a rear elevation view thereof;

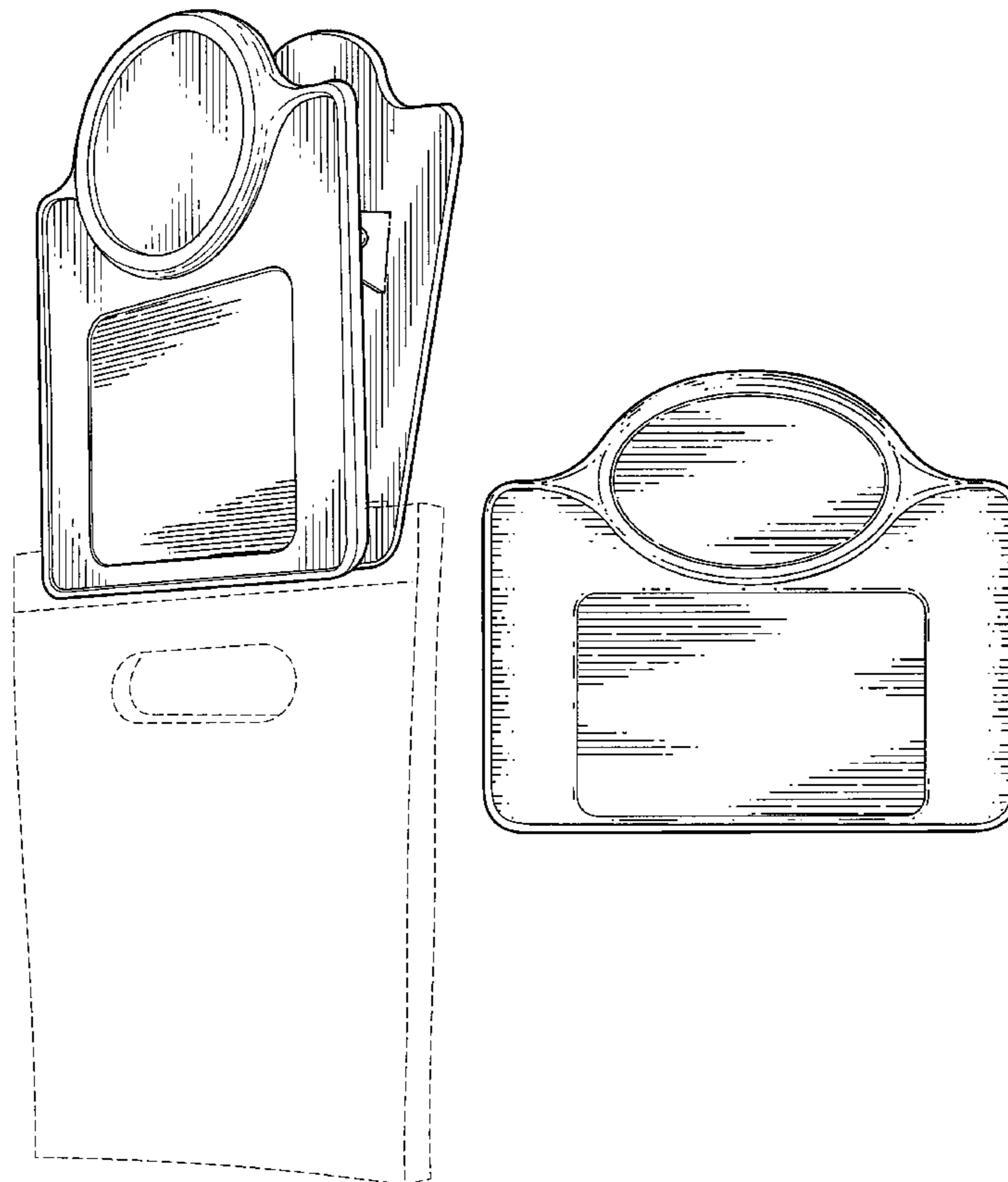
FIG. 5 is a right side elevation view thereof, the left side elevation view being a mirror image thereof;

FIG. 6 is a top plan view thereof; and,

FIG. 7 is a bottom plan view thereof.

The broken line showing of a bag in FIGS. 1 and 2 illustrates environment only and forms no part of the claimed design.

1 Claim, 4 Drawing Sheets



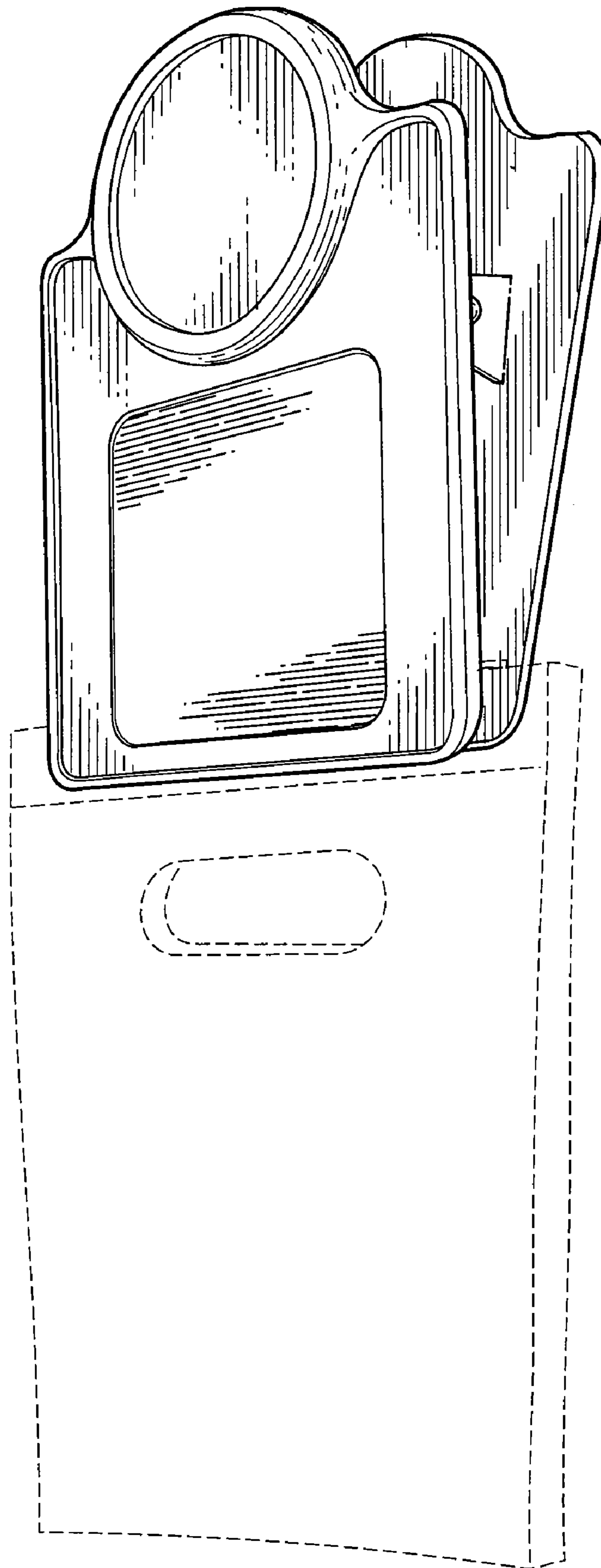


Fig. 1

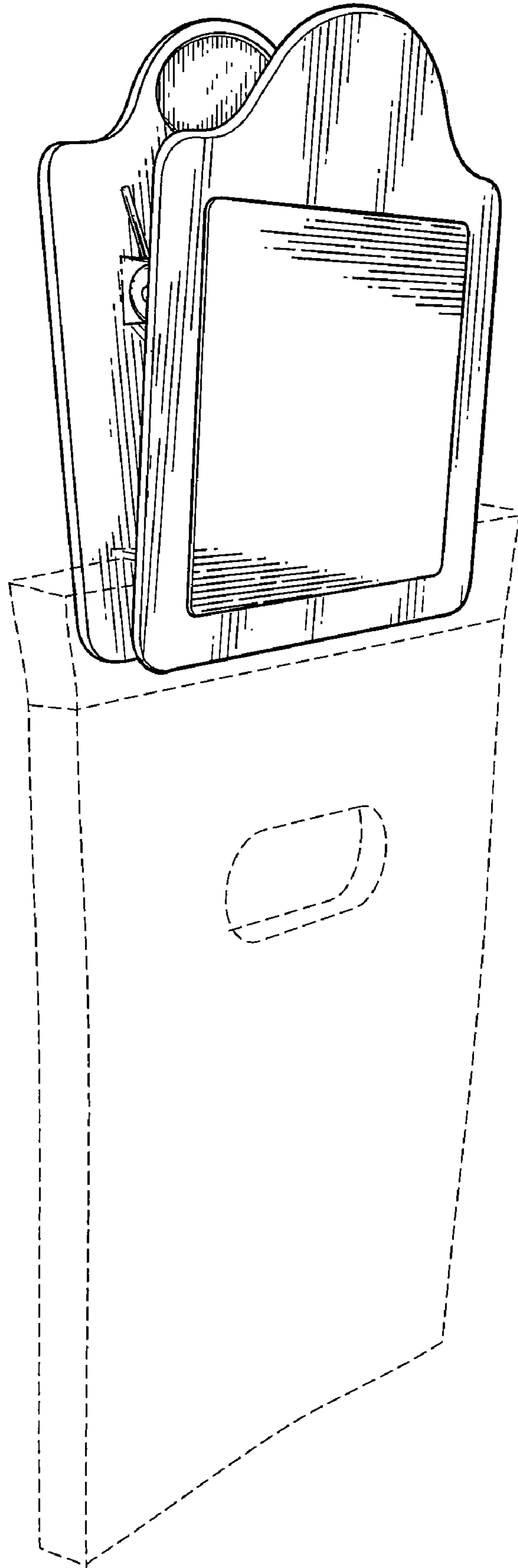


Fig. 2

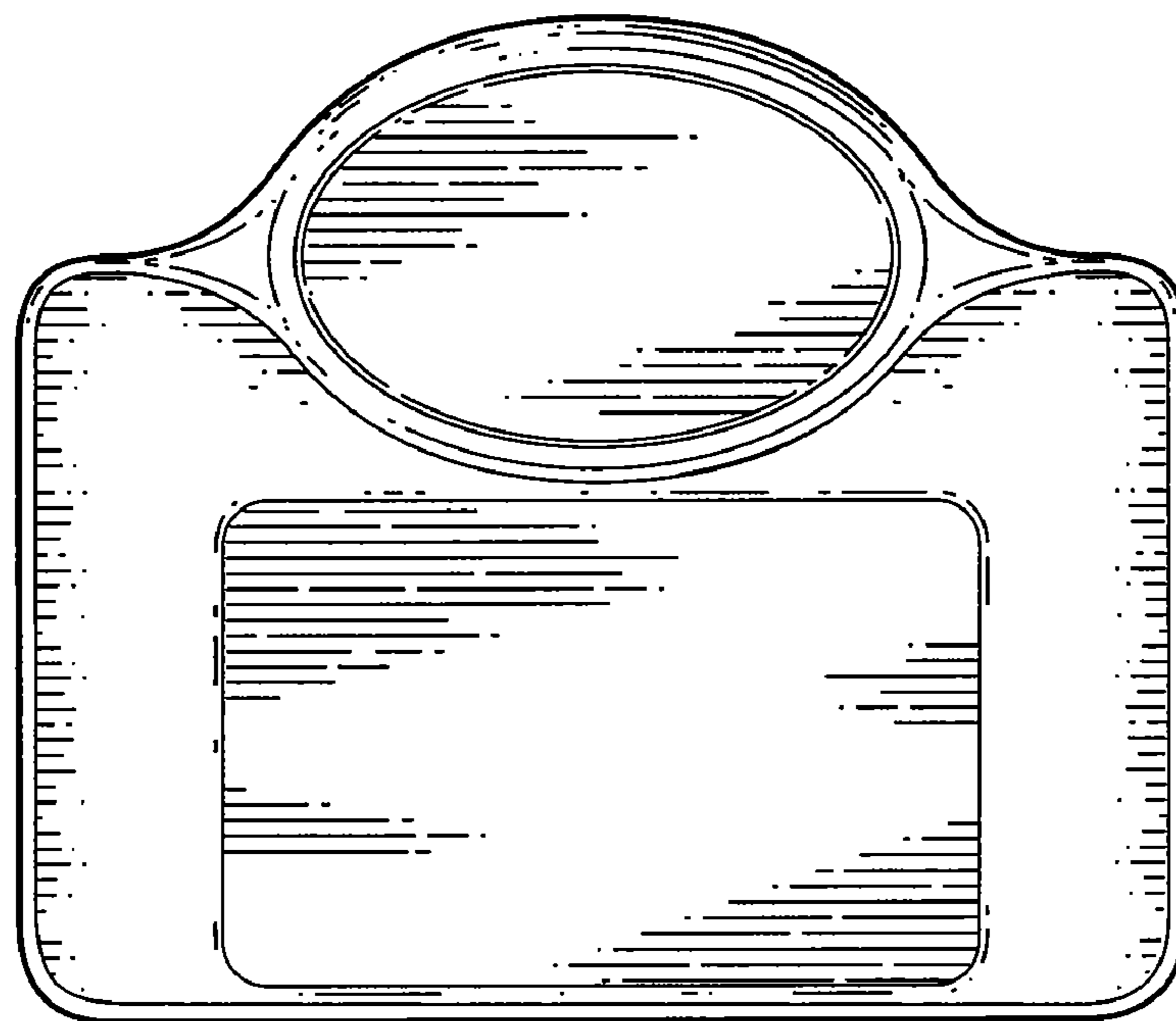


Fig. 3

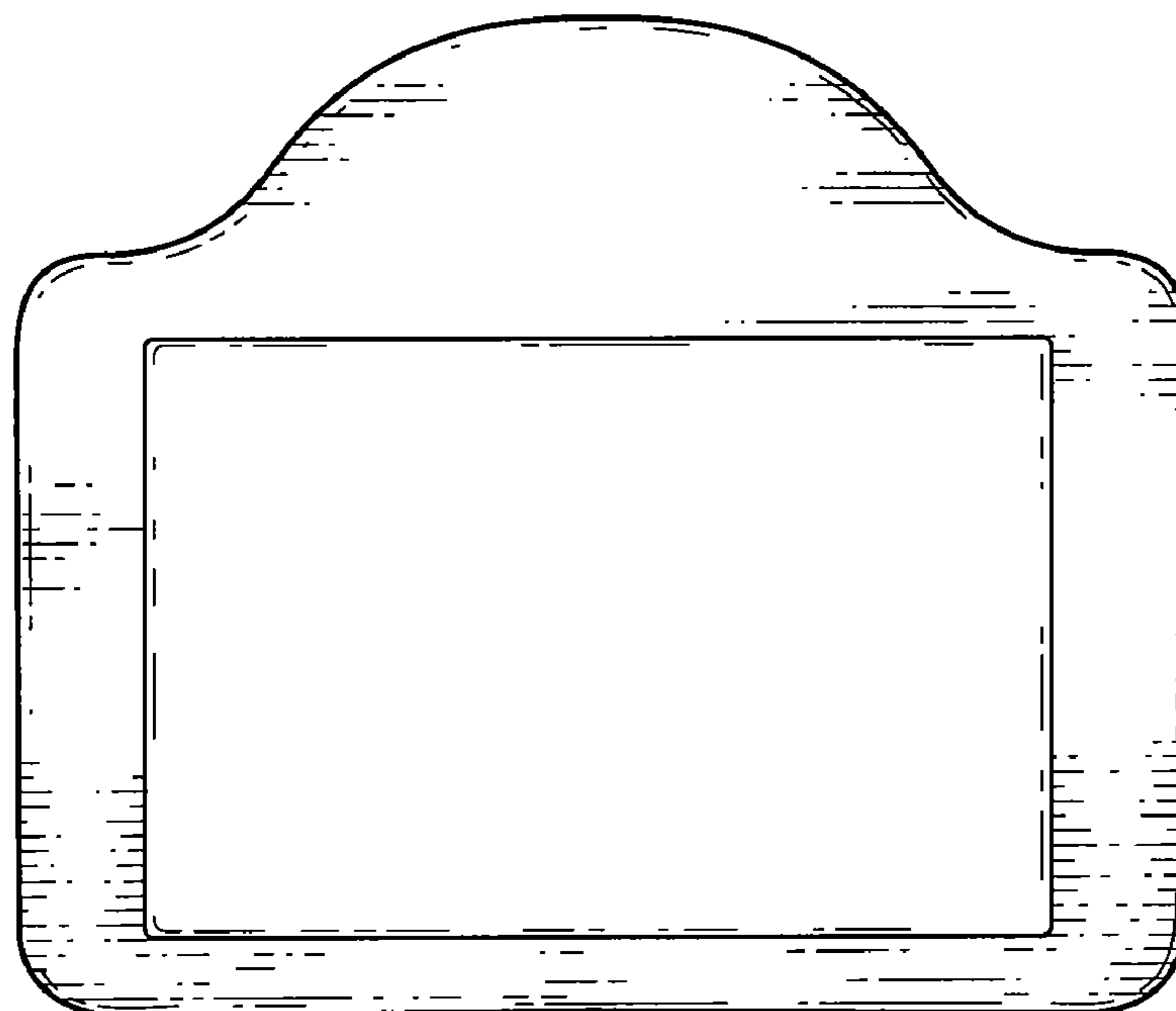


Fig. 4

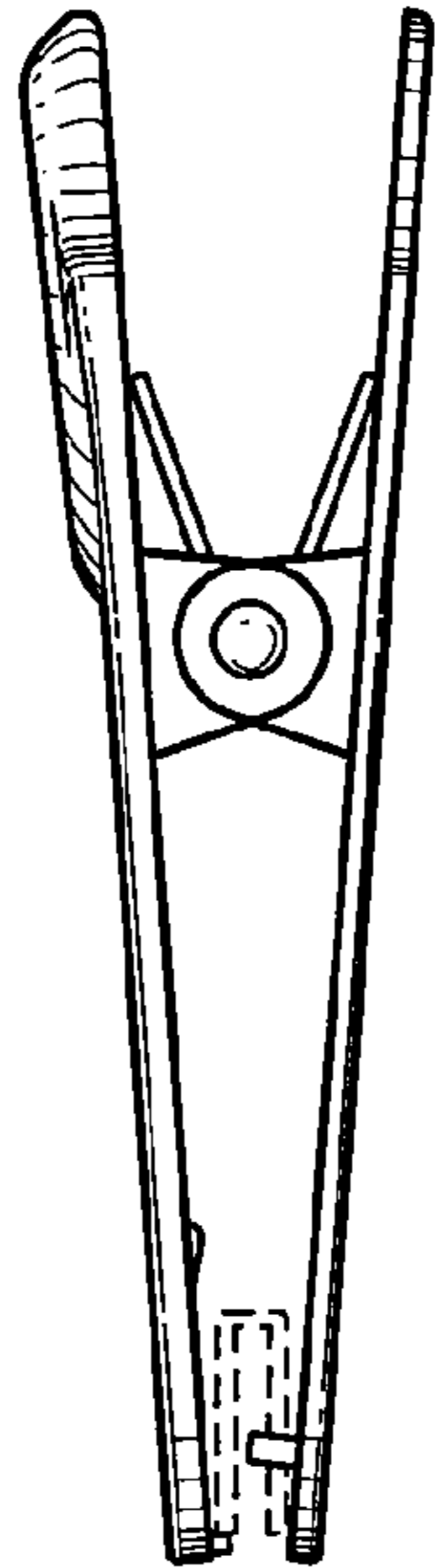


Fig. 5

Fig. 6

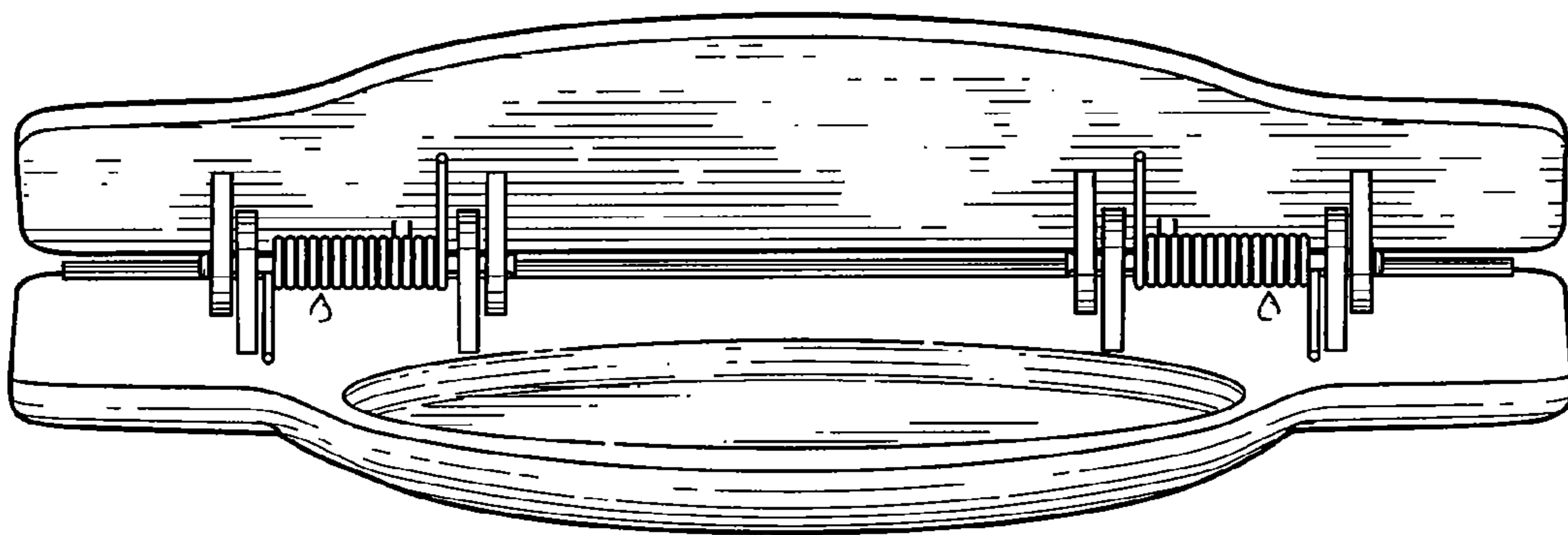


Fig. 7

