



US00D571645S

(12) **United States Design Patent**
Skoog

(10) **Patent No.:** **US D571,645 S**

(45) **Date of Patent:** **** Jun. 24, 2008**

(54) **STABILIZER BLOCK**

(76) **Inventor:** **John C. Skoog**, 7956 Bowman Ave.,
Inver Grove Heights, MN (US) 55076

(**) **Term:** **14 Years**

(21) **Appl. No.:** **29/279,404**

(22) **Filed:** **Apr. 30, 2007**

(51) **LOC (8) Cl.** **08-08**

(52) **U.S. Cl.** **D8/382**

(58) **Field of Classification Search** D8/382;
16/383; 403/247, 287, 381, 170, 187, 254,
403/322.1

See application file for complete search history.

(56) **References Cited**

U.S. PATENT DOCUMENTS

1,460,928 A * 7/1923 Tilden 403/247
3,898,012 A * 8/1975 Gillin 403/287

D239,889 S * 5/1976 Tilden D8/382
D283,301 S * 4/1986 Spitz D8/382
D354,432 S * 1/1995 Starman D8/382
D451,789 S * 12/2001 Hsieh D8/382

* cited by examiner

Primary Examiner—Holly H Baynham

(74) *Attorney, Agent, or Firm*—Haugen Law Firm

(57) **CLAIM**

The ornamental design for a stabilizer block, as shown and described.

DESCRIPTION

FIG. 1 is a perspective rear view of the design;

FIG. 2 is a rear plan view of the design;

FIG. 3 is a front plan view of the design;

FIG. 4 is a side elevation view of the design; and,

FIG. 5 is a top view of the design.

1 Claim, 1 Drawing Sheet

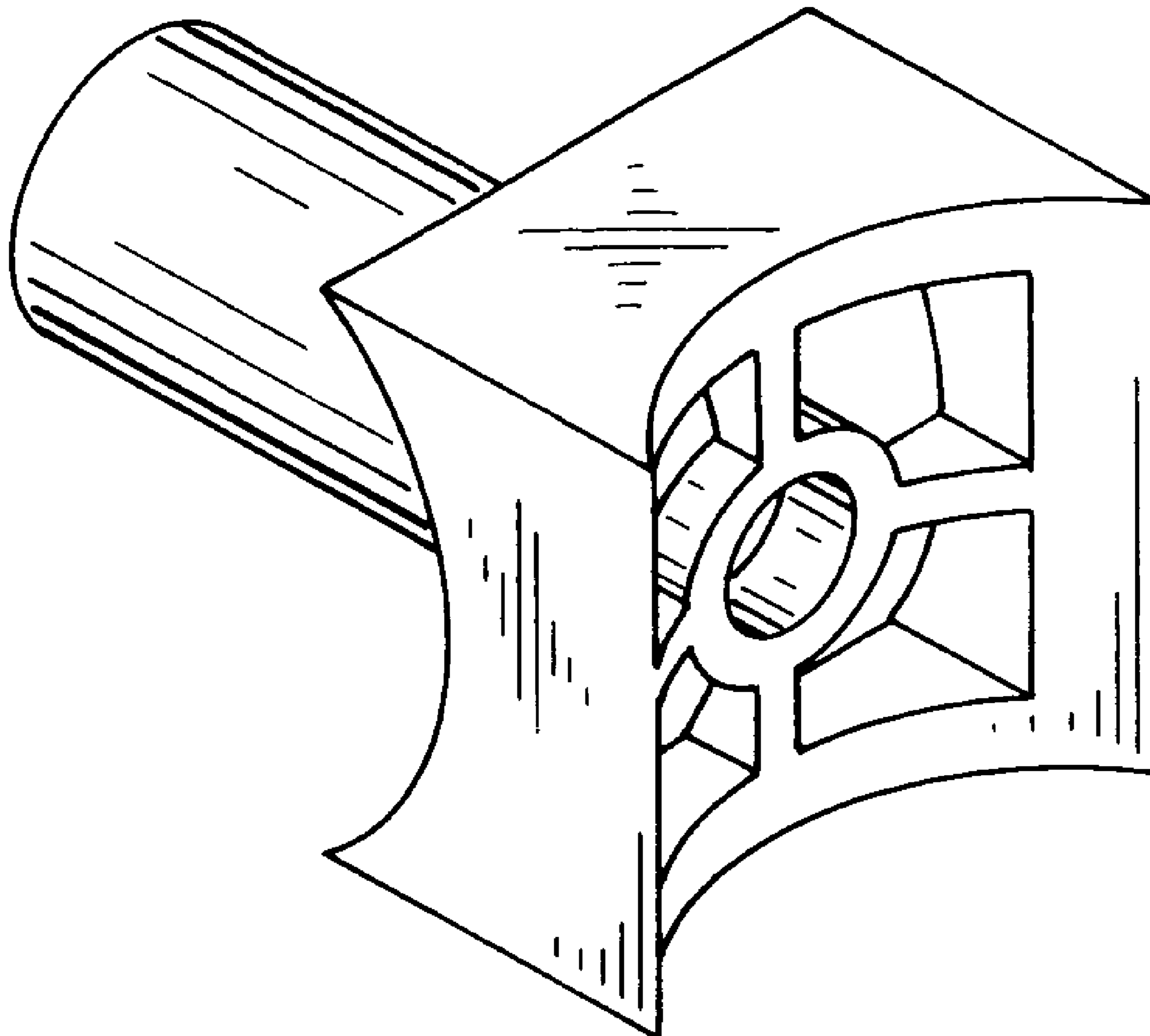


Fig.-1

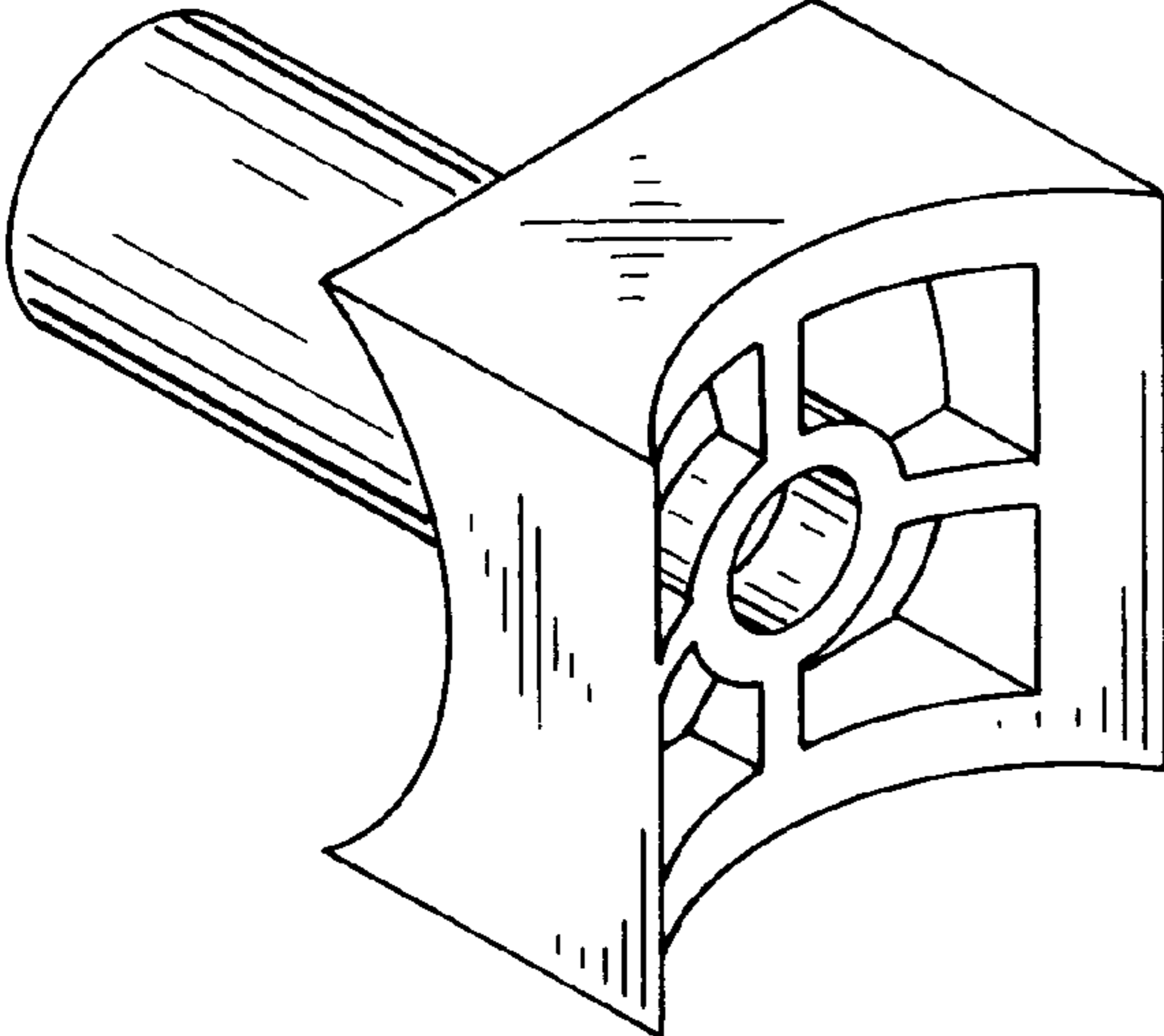


Fig.-2

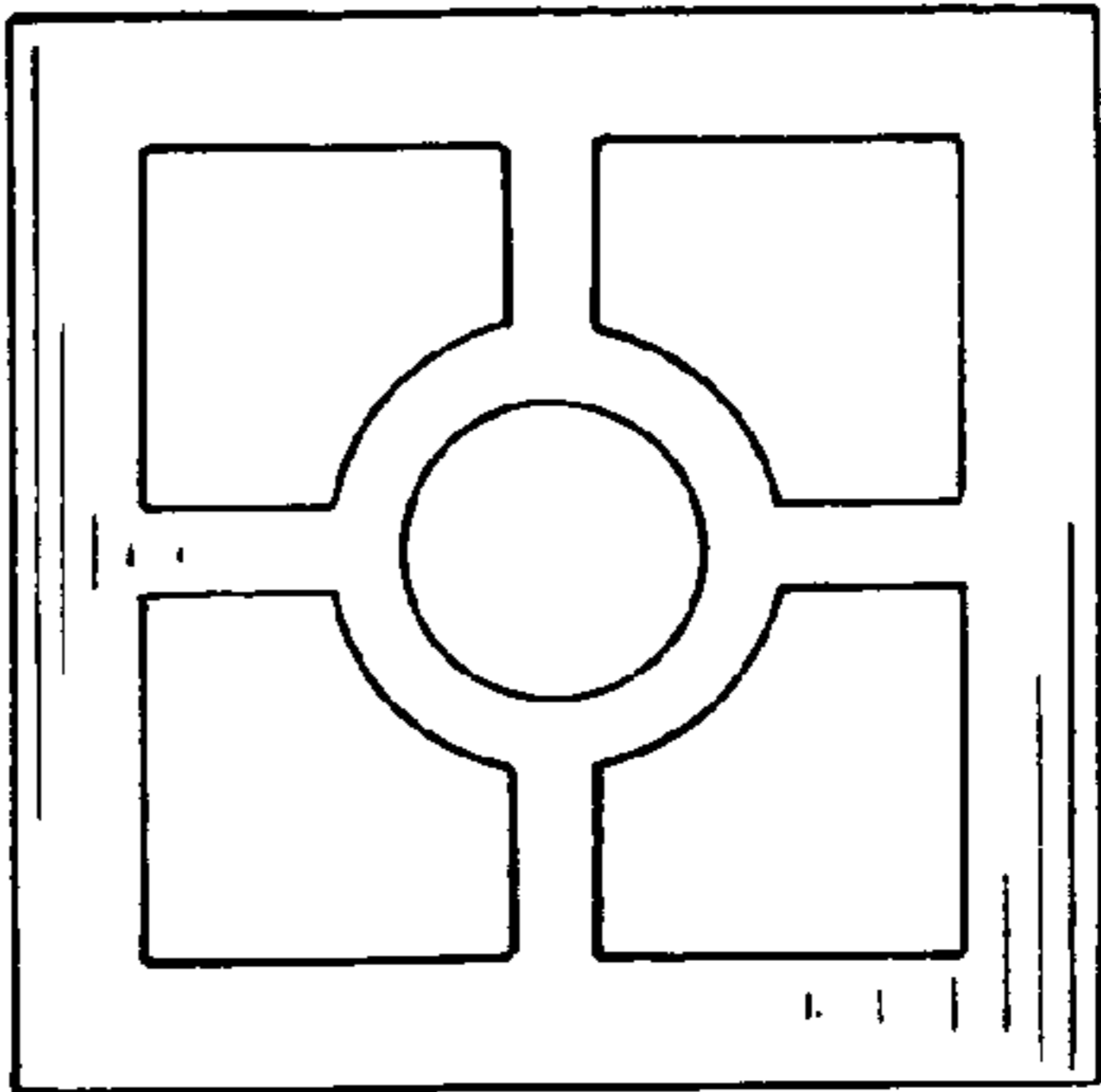


Fig.-3

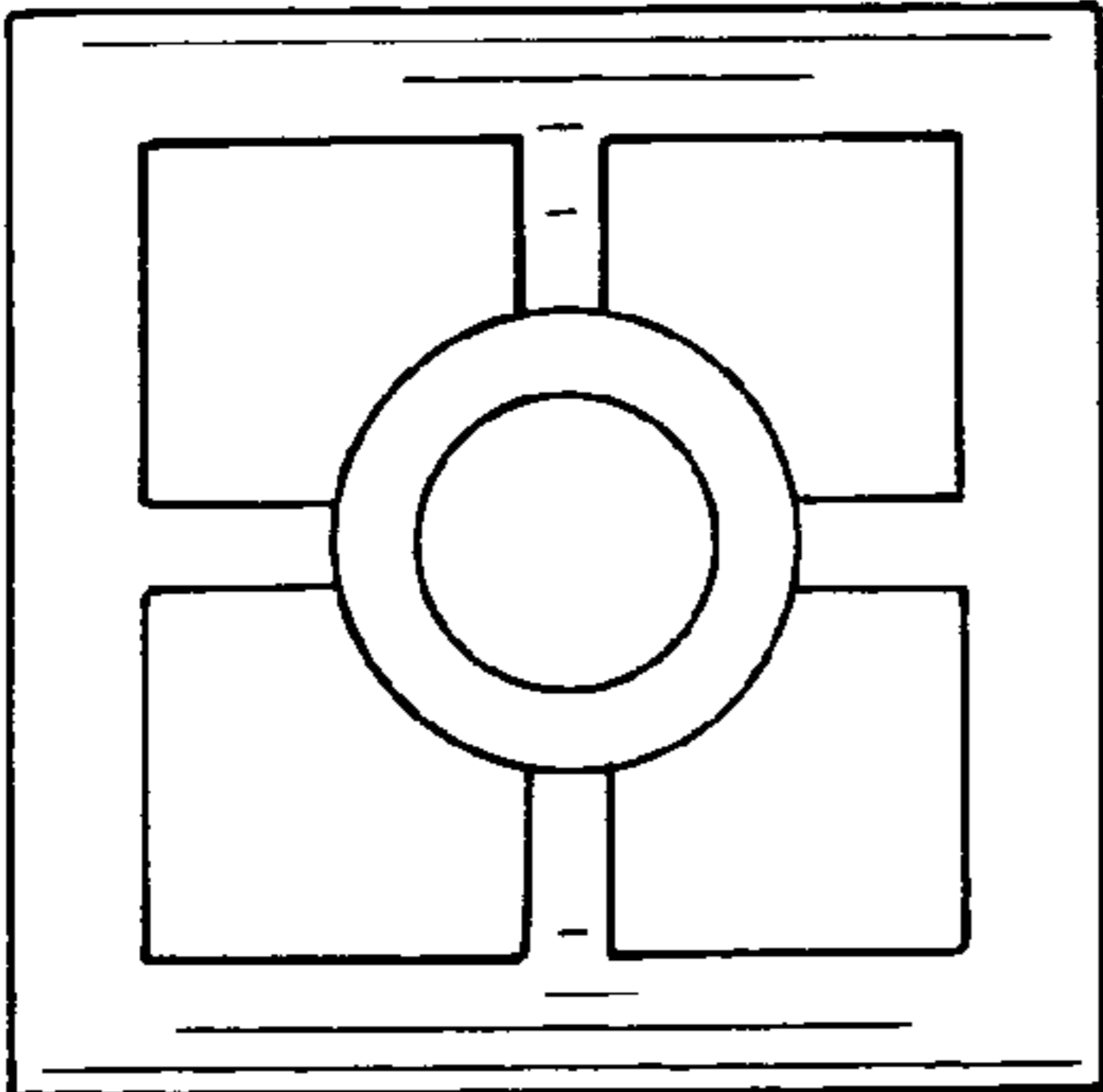


Fig.-4

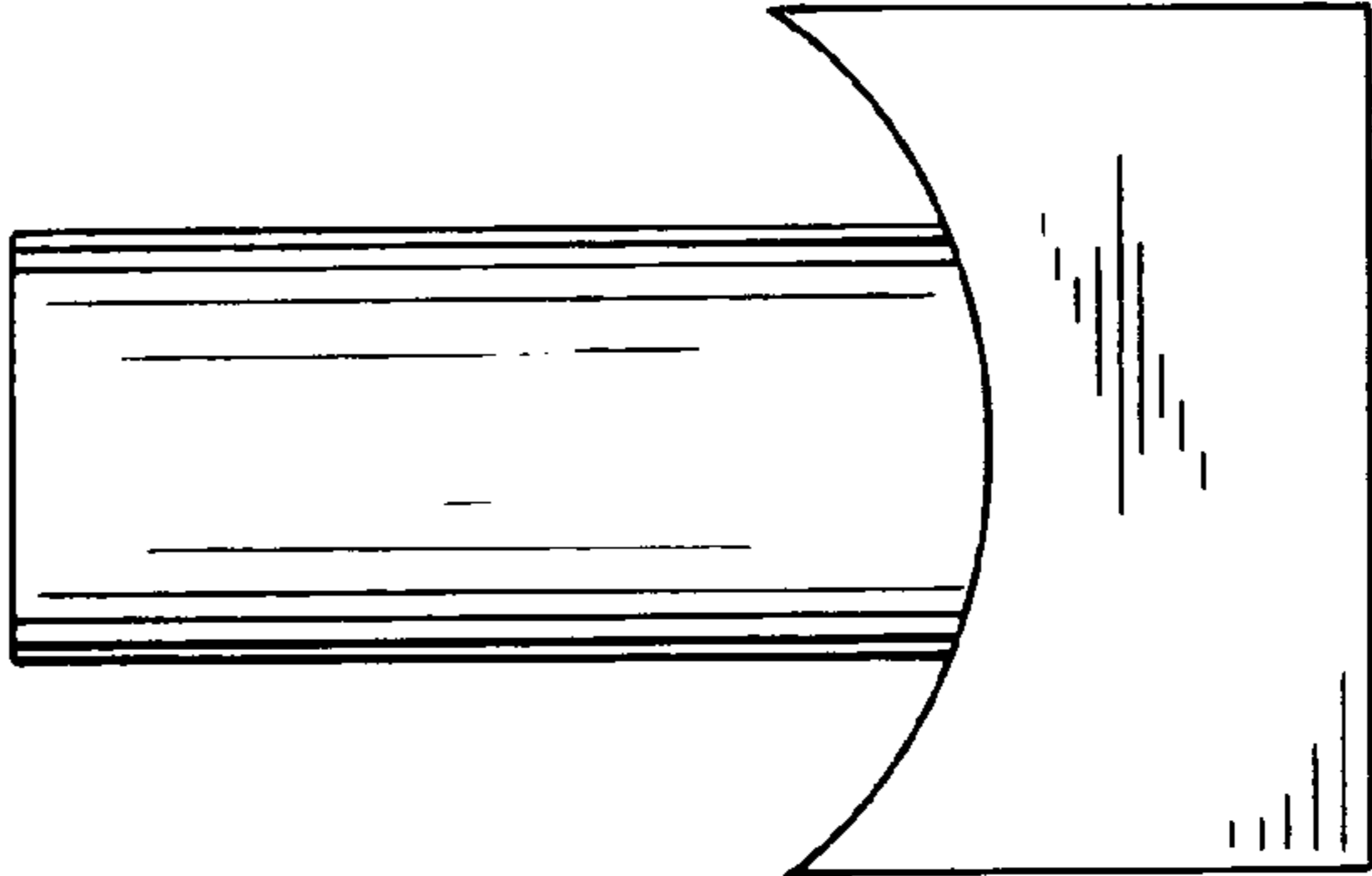


Fig.-5

