



US00D571644S

(12) **United States Design Patent**
Ilang

(10) **Patent No.:** **US D571,644 S**
(45) **Date of Patent:** **** Jun. 24, 2008**

(54) **CONNECTOR OF A CABINET**

5,549,408 A * 8/1996 Lo 403/218
6,938,966 B1 * 9/2005 Rouwhorst 312/111

(76) Inventor: **Jeff Ilang**, 4F., No. 7, Sihwei 4th Rd.,
Lingya District, Kaohsiung City 802
(TW)

* cited by examiner

Primary Examiner—Holly H. Baynham
Assistant Examiner—Sheryl Friedman

(**) Term: **14 Years**

(57) **CLAIM**

(21) Appl. No.: **29/278,896**

The ornamental design for a connector of a cabinet, as shown
and described.

(22) Filed: **Apr. 12, 2007**

(51) **LOC (8) Cl.** **08-08**

DESCRIPTION

(52) **U.S. Cl.** **D8/382**

(58) **Field of Classification Search** D8/382,
D8/354; 312/107, 111; 403/403, 205
See application file for complete search history.

FIG. 1 is a perspective view of a connector of a cabinet
showing my new design;

FIG. 2 is a front elevational view thereof;

FIG. 3 is a rear elevational view thereof,

FIG. 4 is a left side elevational view thereof,

FIG. 5 is a right side elevational view thereof,

FIG. 6 is a top plan view thereof; and,

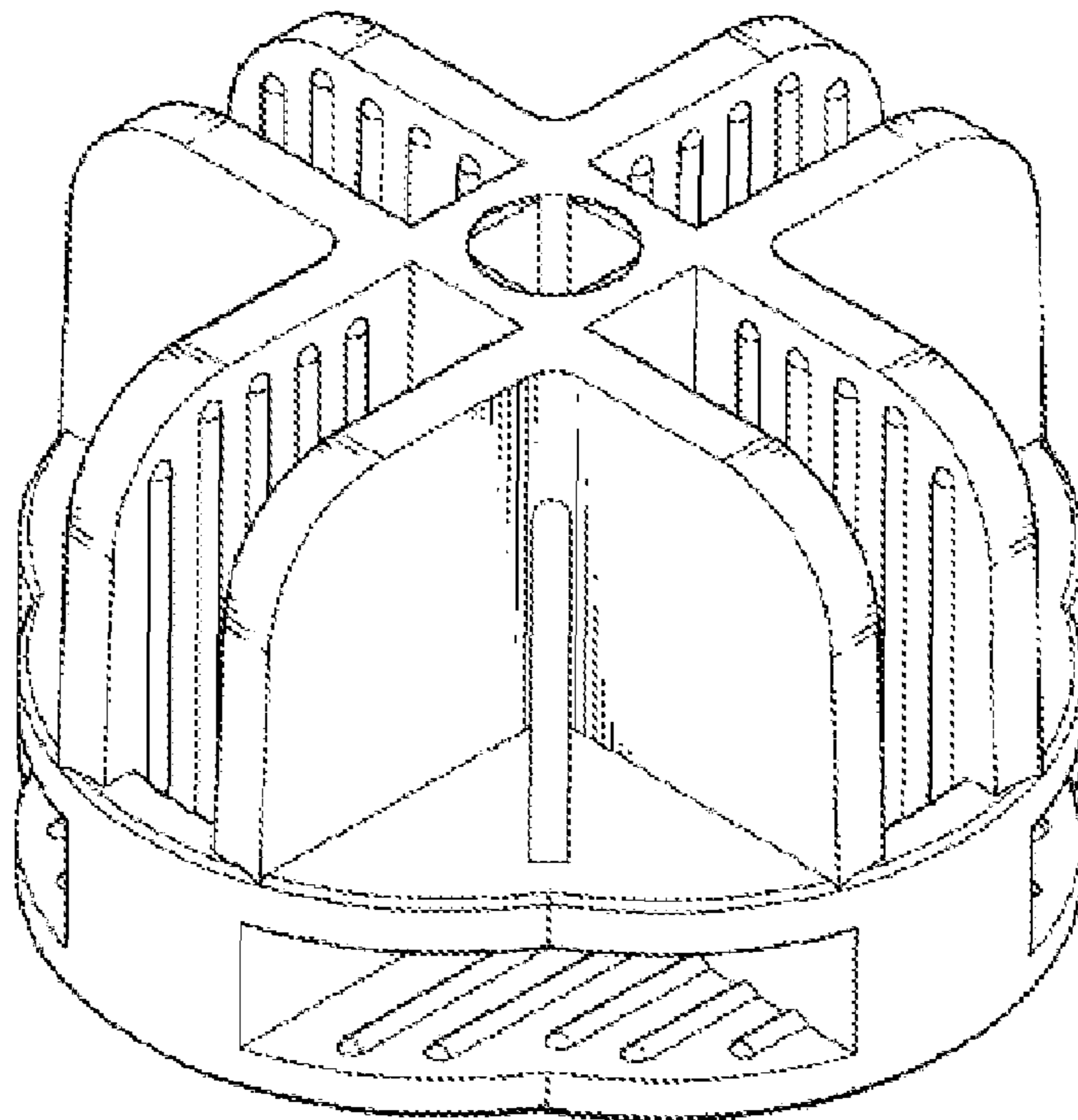
FIG. 7 is a bottom plan view to that shown.

(56) **References Cited**

U.S. PATENT DOCUMENTS

4,208,850 A * 6/1980 Collier 403/12
D297,303 S * 8/1988 Finklestein D8/382
D308,011 S * 5/1990 Norris D8/356
5,464,305 A * 11/1995 Liem 403/362
D372,419 S * 8/1996 Ikegami D8/382

1 Claim, 5 Drawing Sheets



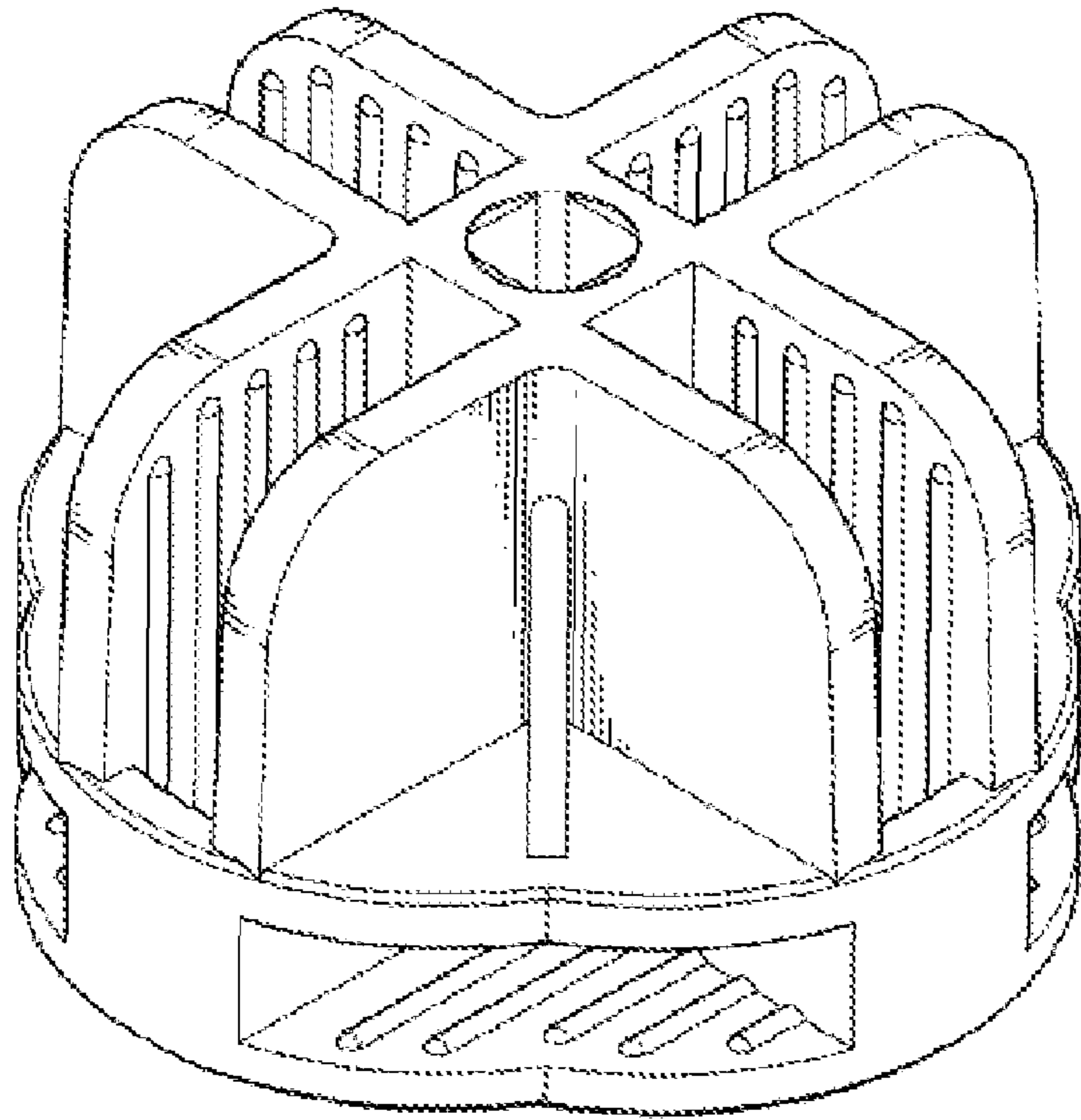


FIG. 1

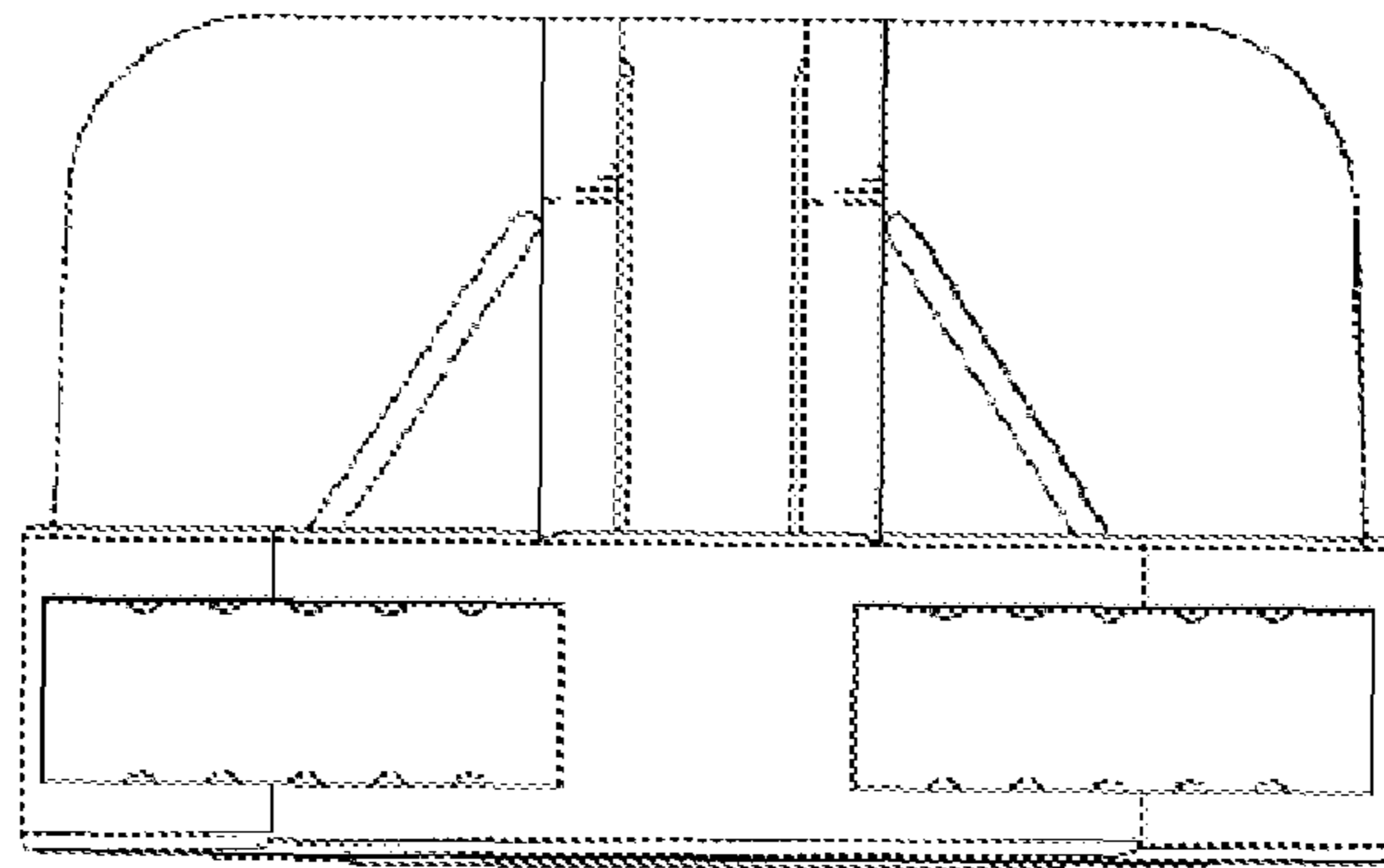


FIG. 2

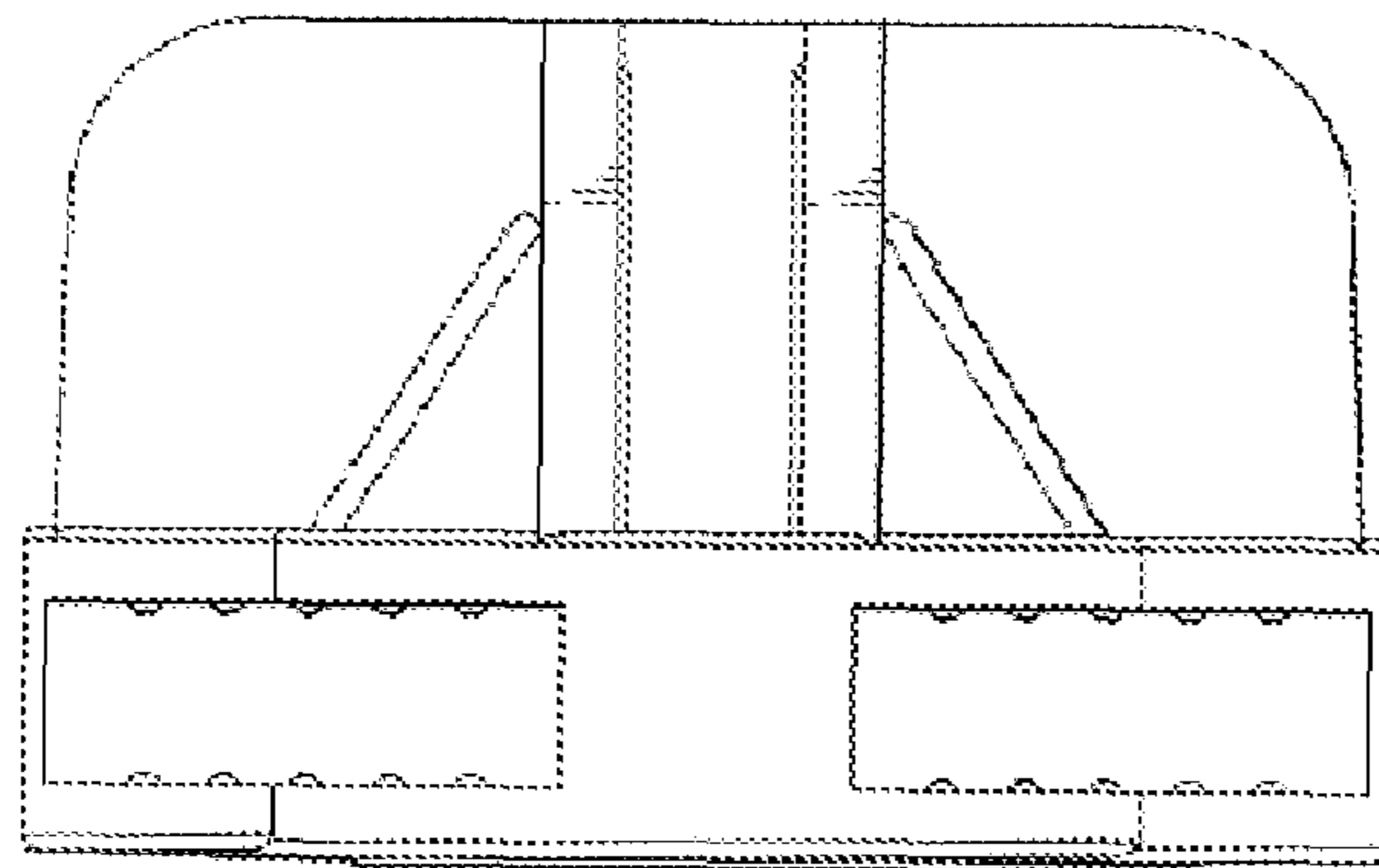


FIG. 3

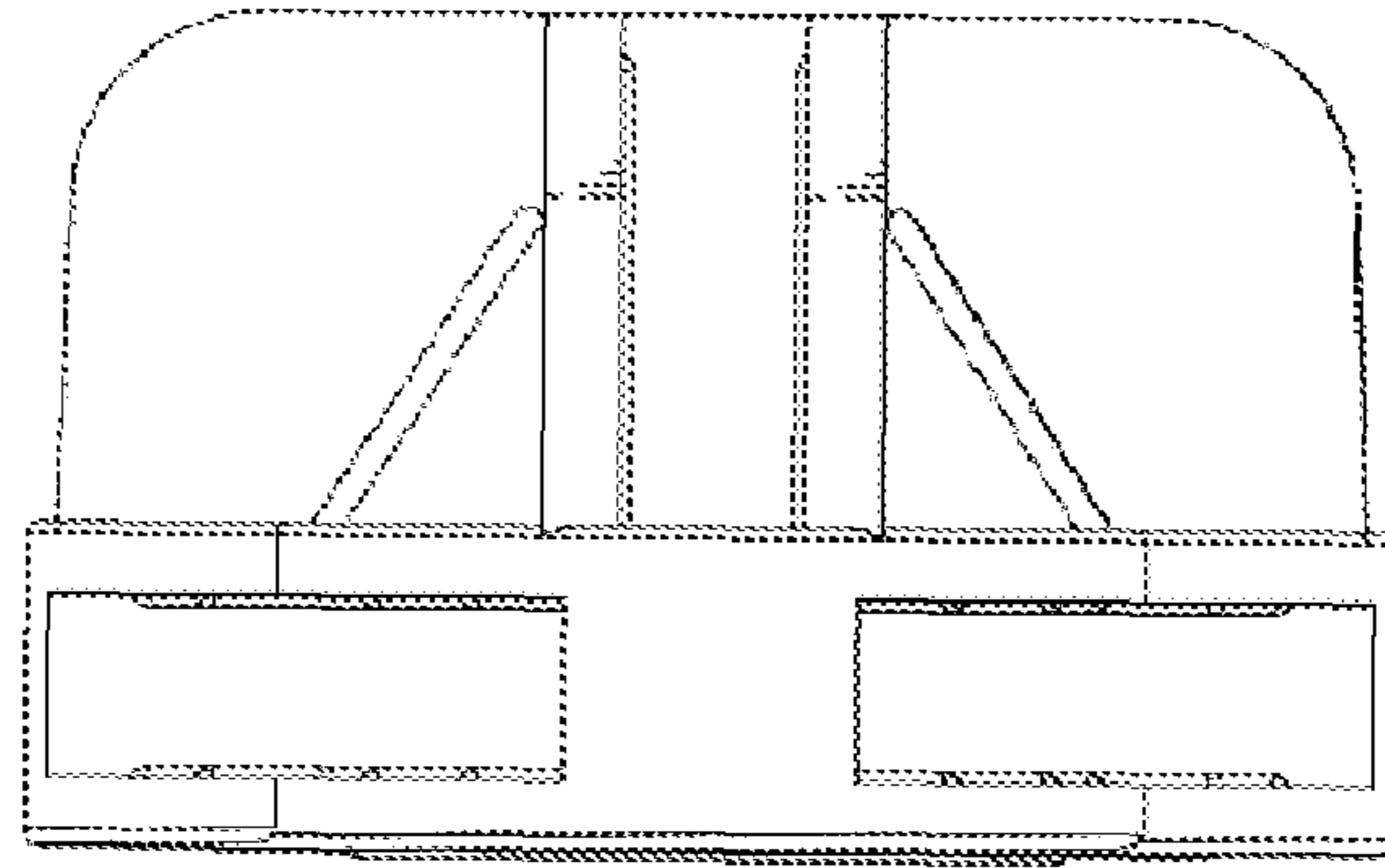


FIG. 4

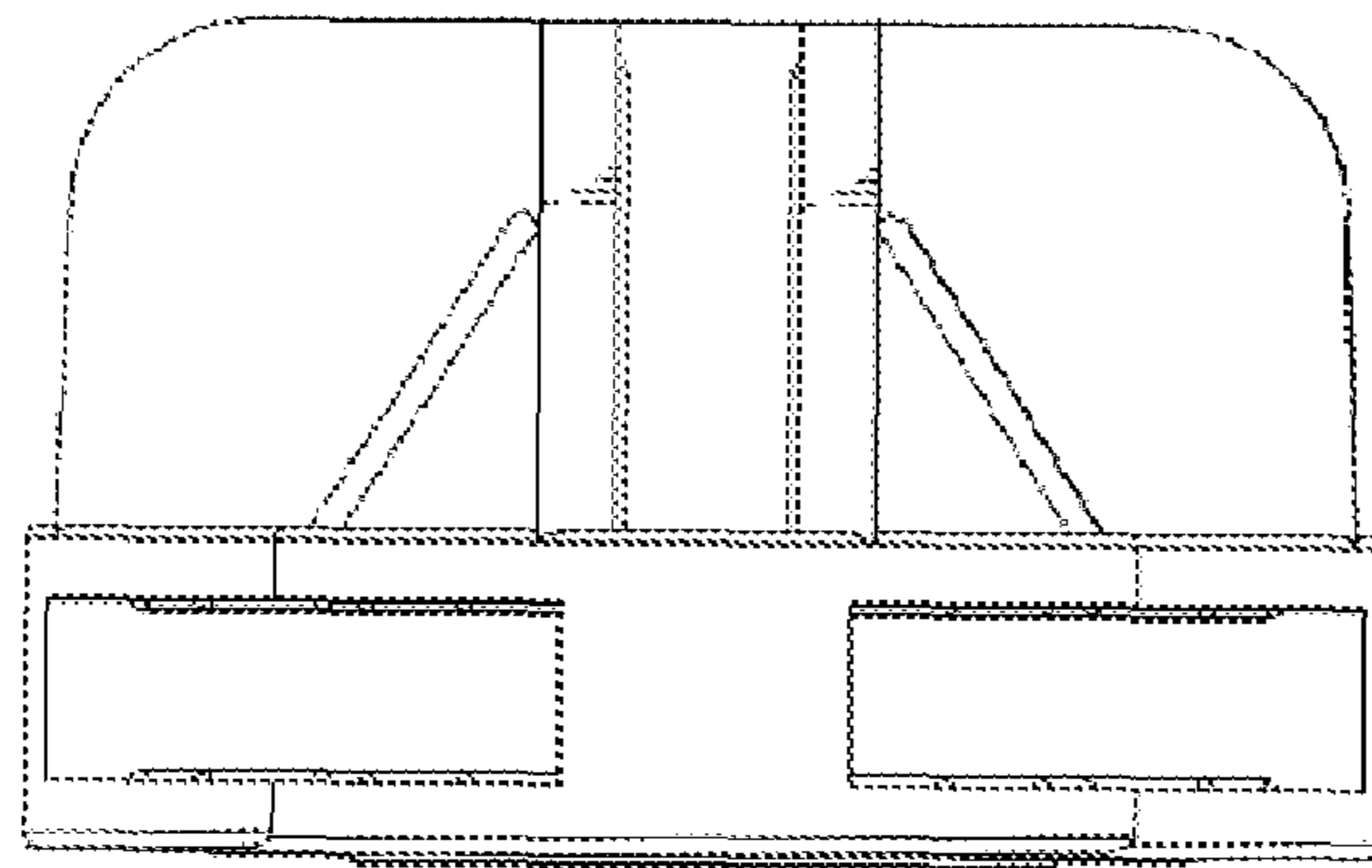


FIG. 5

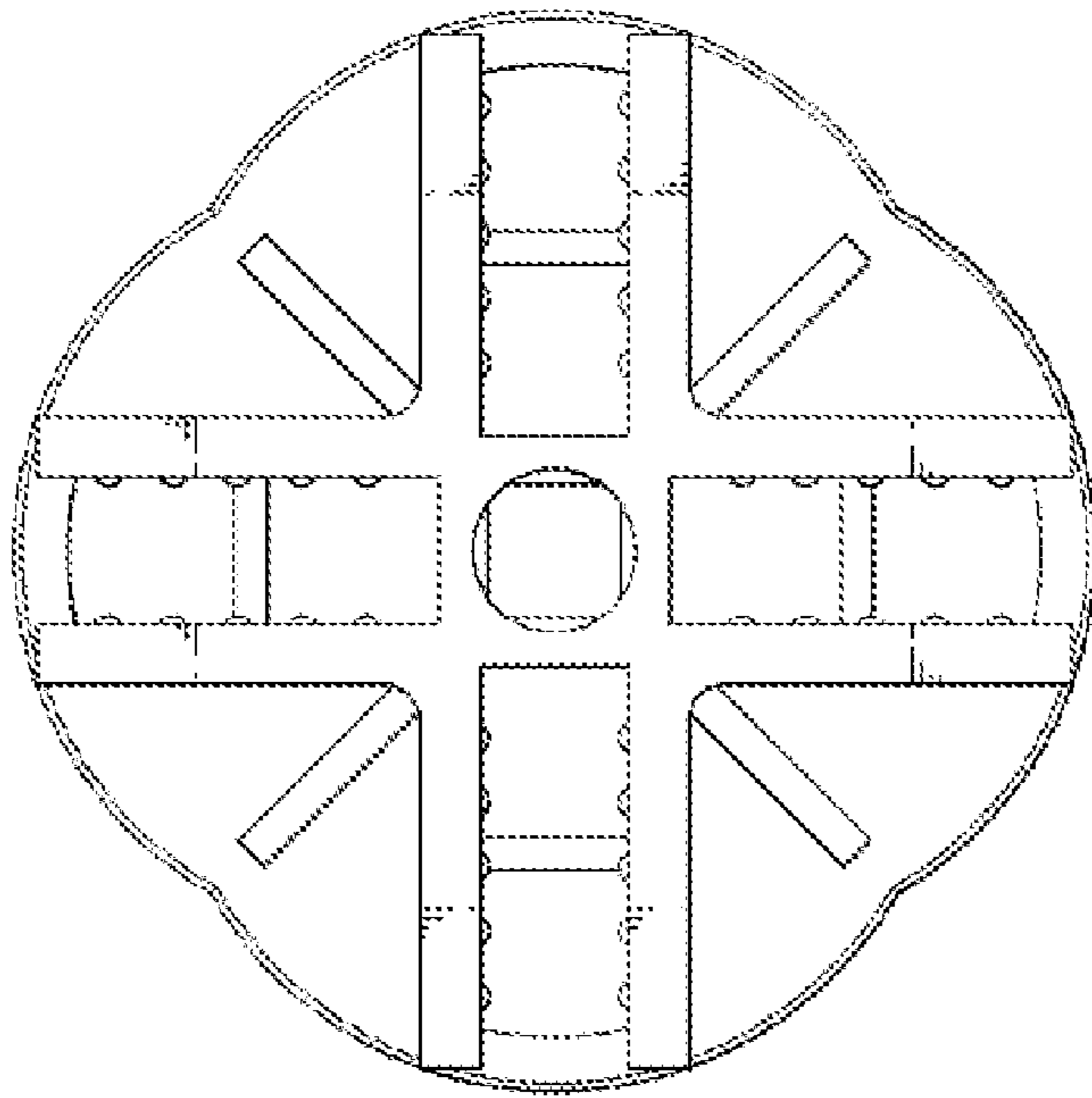


FIG. 6

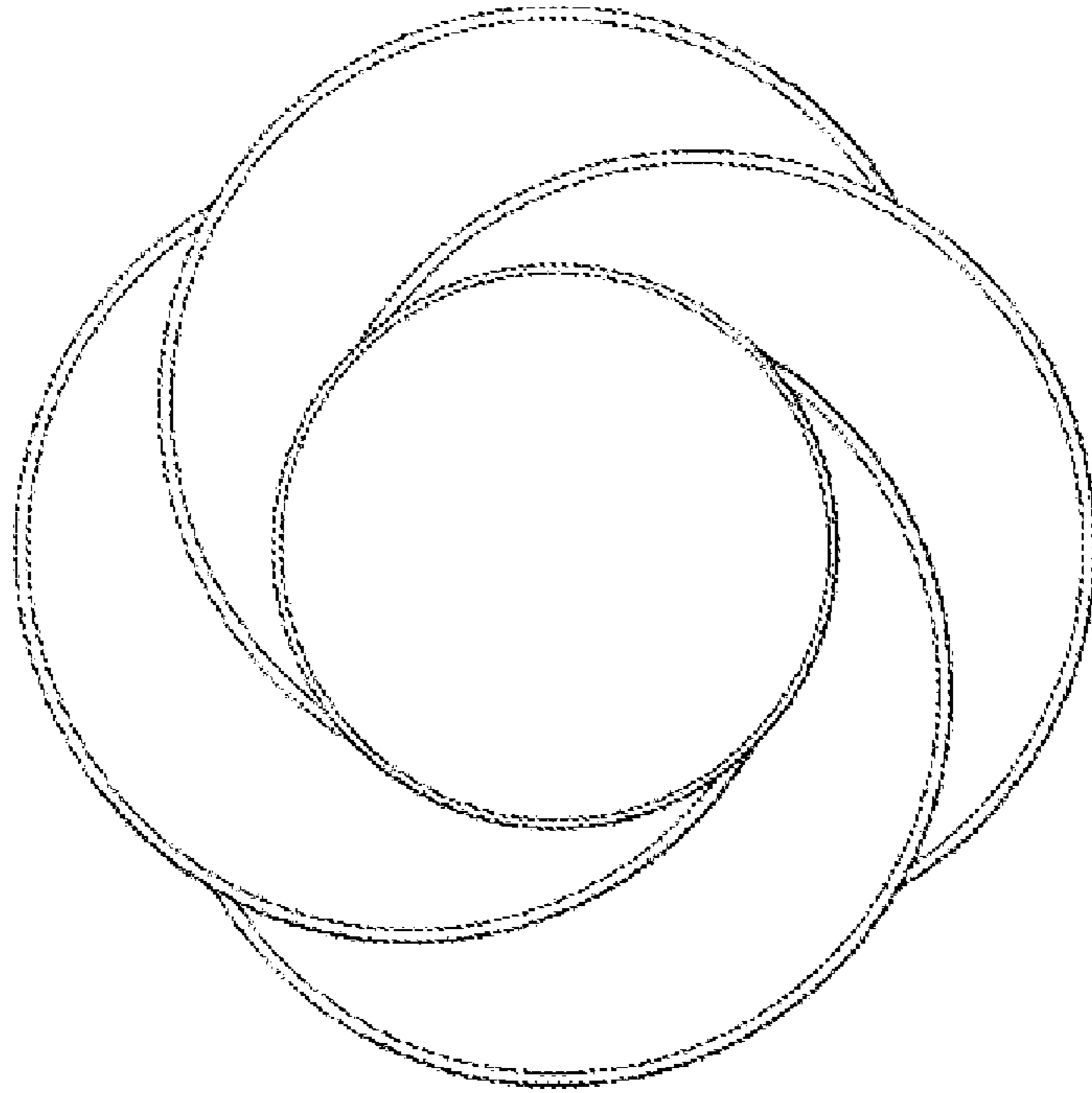


FIG. 7

UNITED STATES PATENT AND TRADEMARK OFFICE
CERTIFICATE OF CORRECTION

PATENT NO. : Des. 571,644 S
APPLICATION NO. : 29/278896
DATED : June 24, 2008
INVENTOR(S) : Jeff Wang

Page 1 of 1

It is certified that error appears in the above-identified patent and that said Letters Patent is hereby corrected as shown below:

IN THE TITLE PAGE:

ITEM [76] DELETE THE INVENTOR'S NAME "Jeff Ilang" AND INSERT THEREFORE
--Jeff Wang--

Signed and Sealed this

Twelfth Day of January, 2010

A handwritten signature in black ink that reads "David J. Kappos". The signature is written in a cursive style with a large initial 'D' and 'K'.

David J. Kappos
Director of the United States Patent and Trademark Office