



US00D571643S

(12) **United States Design Patent**
Newman

(10) **Patent No.:** **US D571,643 S**
(45) **Date of Patent:** **** Jun. 24, 2008**

(54) **VIBRATION AND SHOCK ABSORBER**

(75) Inventor: **Donald James Newman**, Loughborough
(GB)

(73) Assignee: **Trelleborg Industrial AVS Ltd.**,
Leicester (GB)

(**) Term: **14 Years**

(21) Appl. No.: **29/287,302**

(22) Filed: **Jul. 20, 2007**

(30) **Foreign Application Priority Data**

Feb. 12, 2007 (EM) 000671490

(51) **LOC (8) Cl.** **08-05**

(52) **U.S. Cl.** **D8/380**

(58) **Field of Classification Search** D8/381,
D8/380, 371, 370, 366, 354; 47/40; 248/313,
248/274.1, 27.8, 231.41, 228.3, 220.41, 220.31,
248/208, 223.41, 581, 505; 267/140.12,
267/140.13, 136

See application file for complete search history.

(56) **References Cited**

U.S. PATENT DOCUMENTS

D241,612 S * 9/1976 Matousek et al. D8/354
4,651,978 A * 3/1987 Grafstrom 267/140.13
D301,685 S * 6/1989 Vories D8/354
D449,972 S * 11/2001 Newman D8/354

6,443,439 B1 * 9/2002 Newman 267/140.12
6,474,618 B1 11/2002 Cannon
6,511,037 B1 * 1/2003 Newman 248/581
6,742,619 B2 * 6/2004 Farbotnik et al. 180/312
6,981,683 B2 * 1/2006 Winton, III 248/505
7,207,552 B2 * 4/2007 Bregeault 267/140.13
D543,835 S * 6/2007 Geiger D8/354

OTHER PUBLICATIONS

“Mounting Hourglass Half Spring” Trelleborg Automotive UK Ltd.,
England, 1992.

* cited by examiner

Primary Examiner—Gary D. Watson

Assistant Examiner—Susan B Hattan

(74) *Attorney, Agent, or Firm*—Harness, Dickey & Pierce

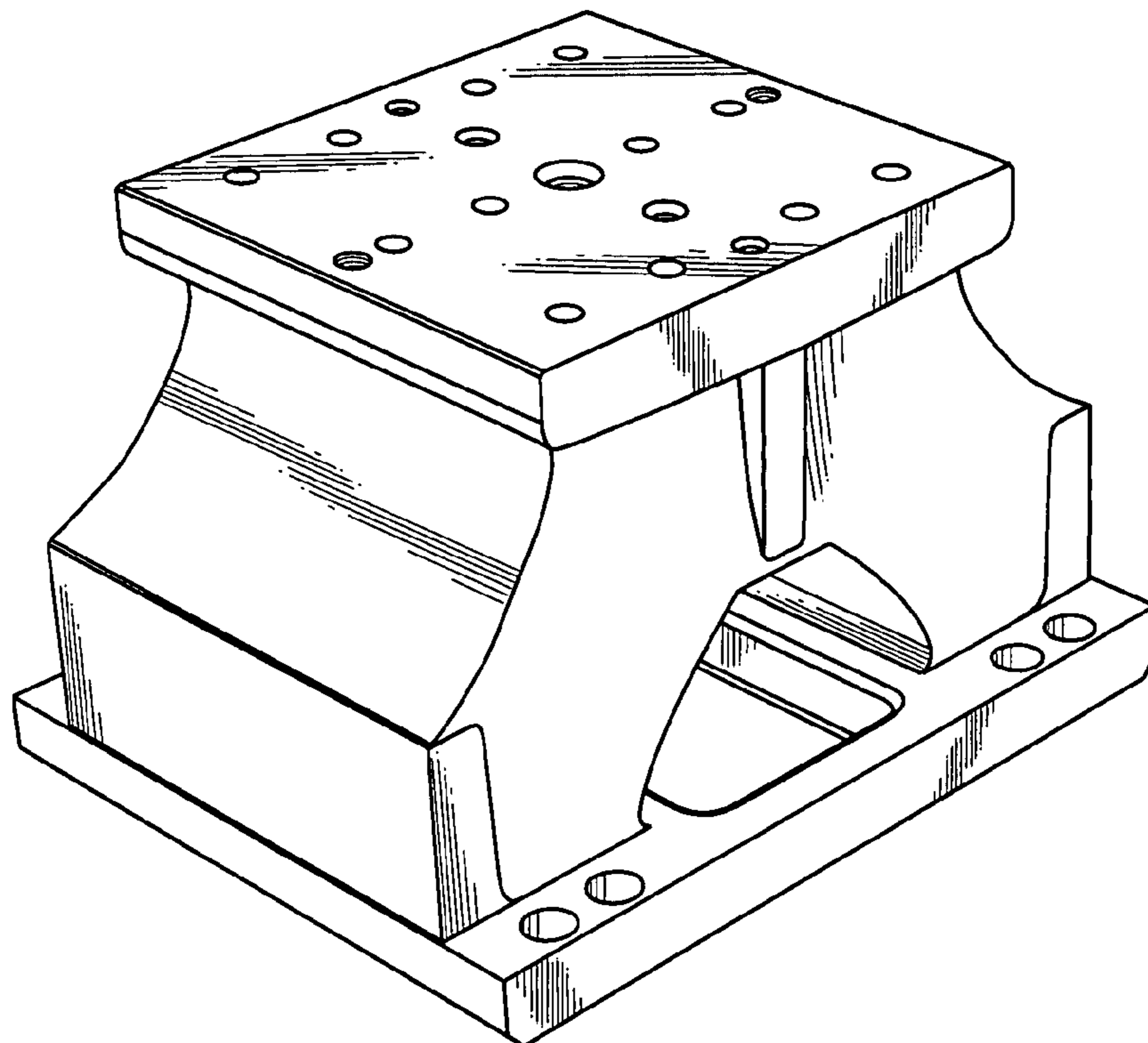
(57) **CLAIM**

The ornamental design for a vibration and shock absorber, as
shown and described.

DESCRIPTION

FIG. 1 is a perspective view of a vibration and shock absorber;
FIG. 2 is a front view thereof;
FIG. 3 is a top view thereof;
FIG. 4 is a side view thereof;
FIG. 5 is a side view thereof;
FIG. 6 is a bottom view; and,
FIG. 7 is a rear view thereof.

1 Claim, 4 Drawing Sheets



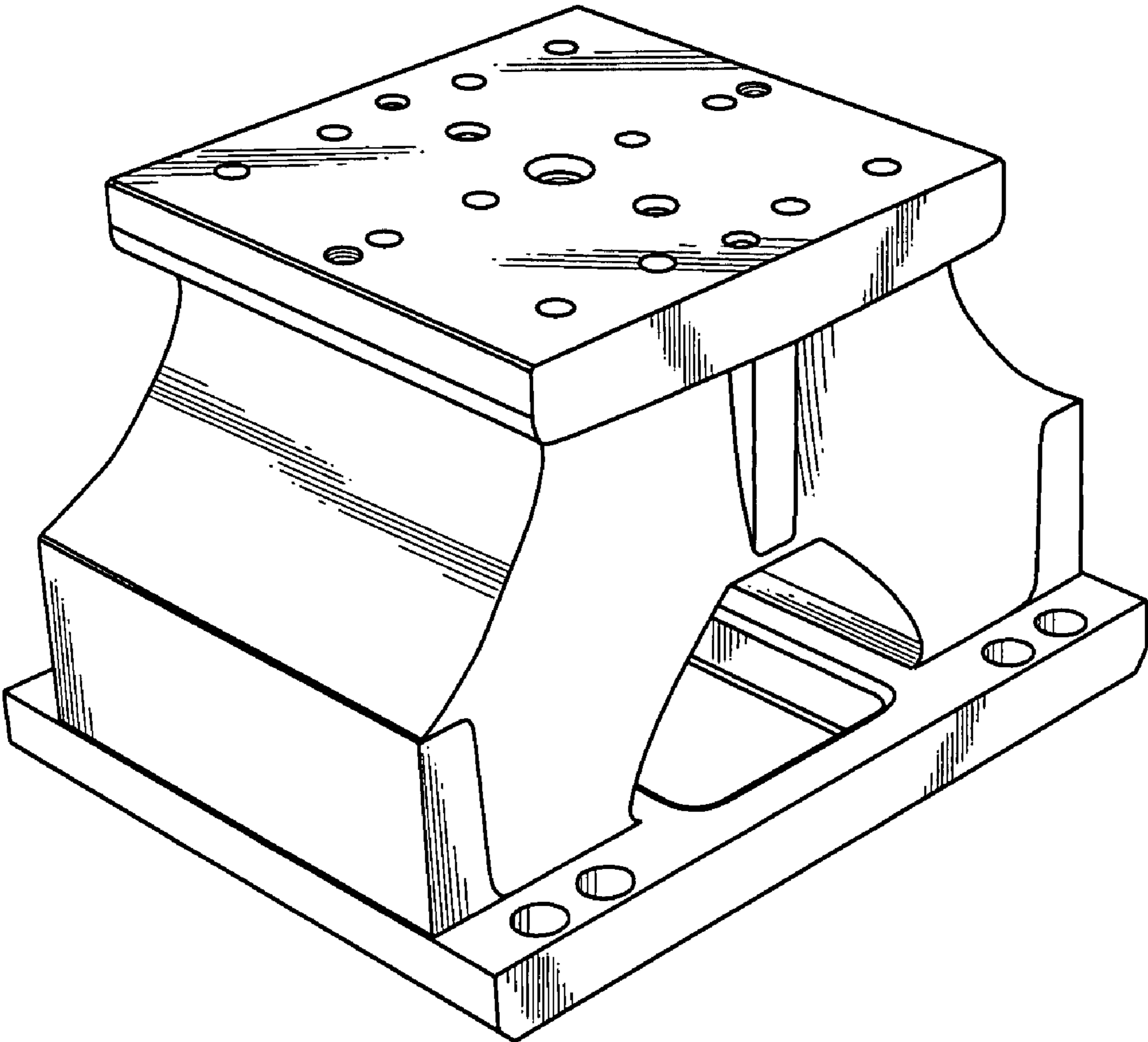


Fig. 1

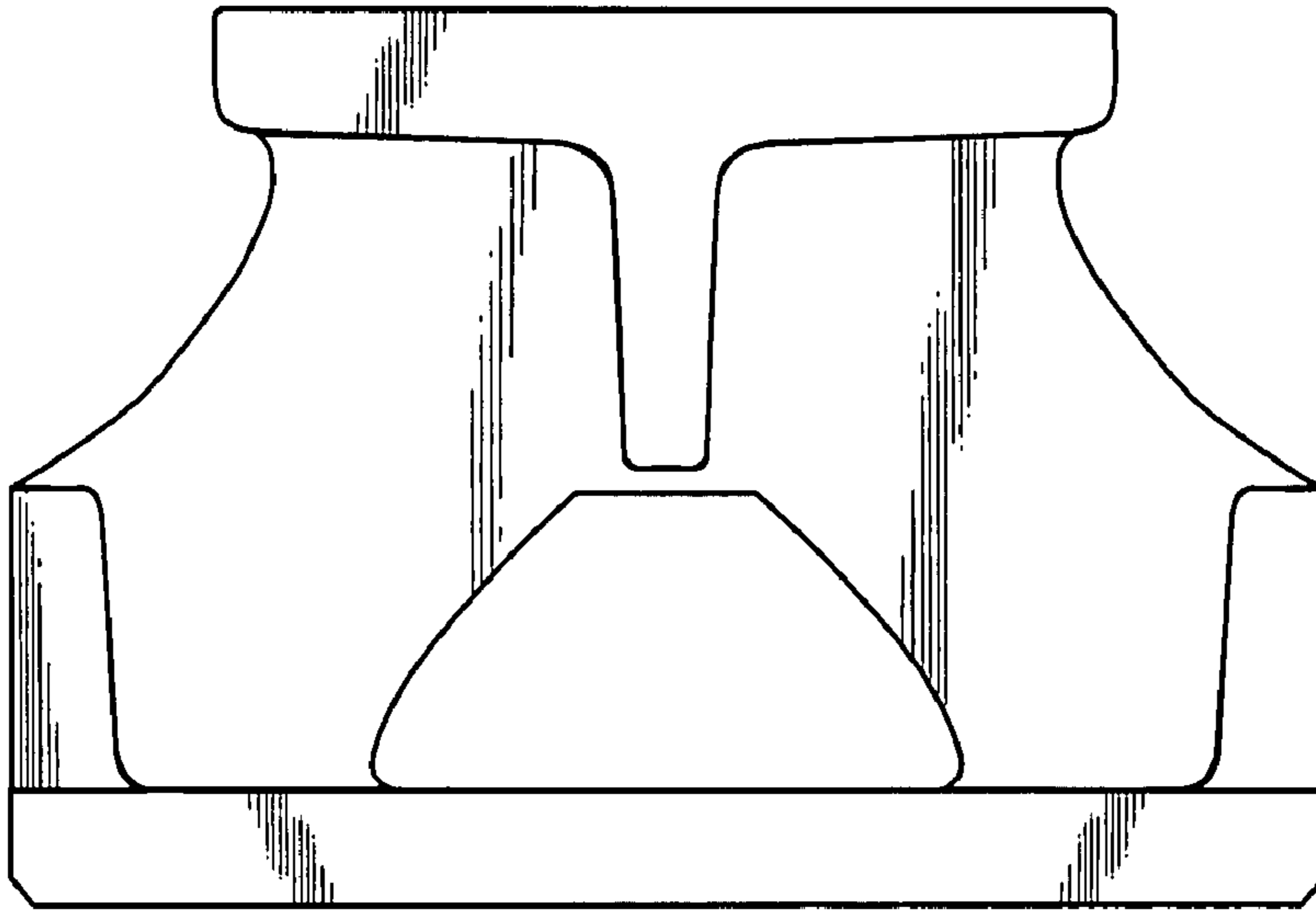


Fig. 2

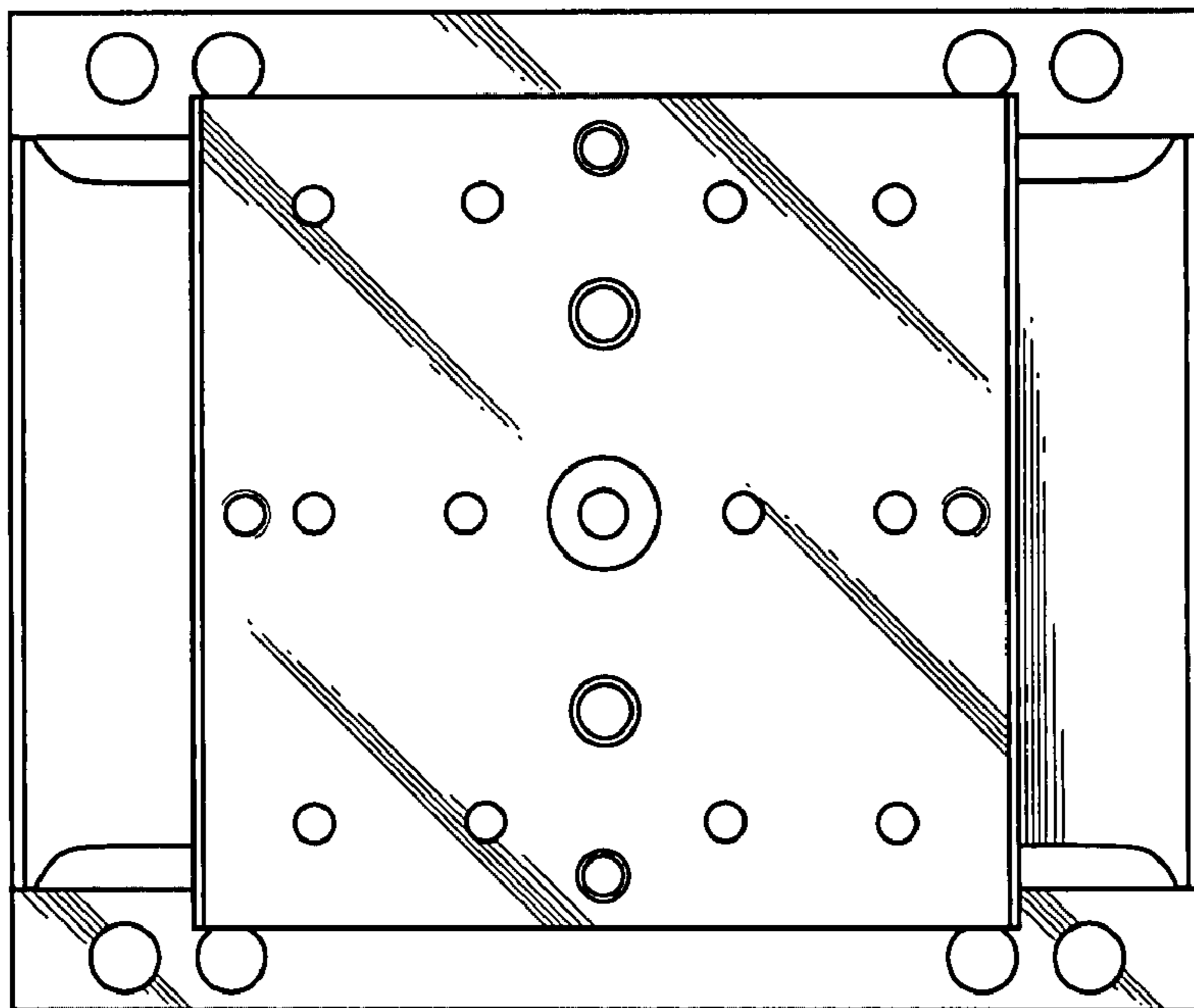


Fig. 3

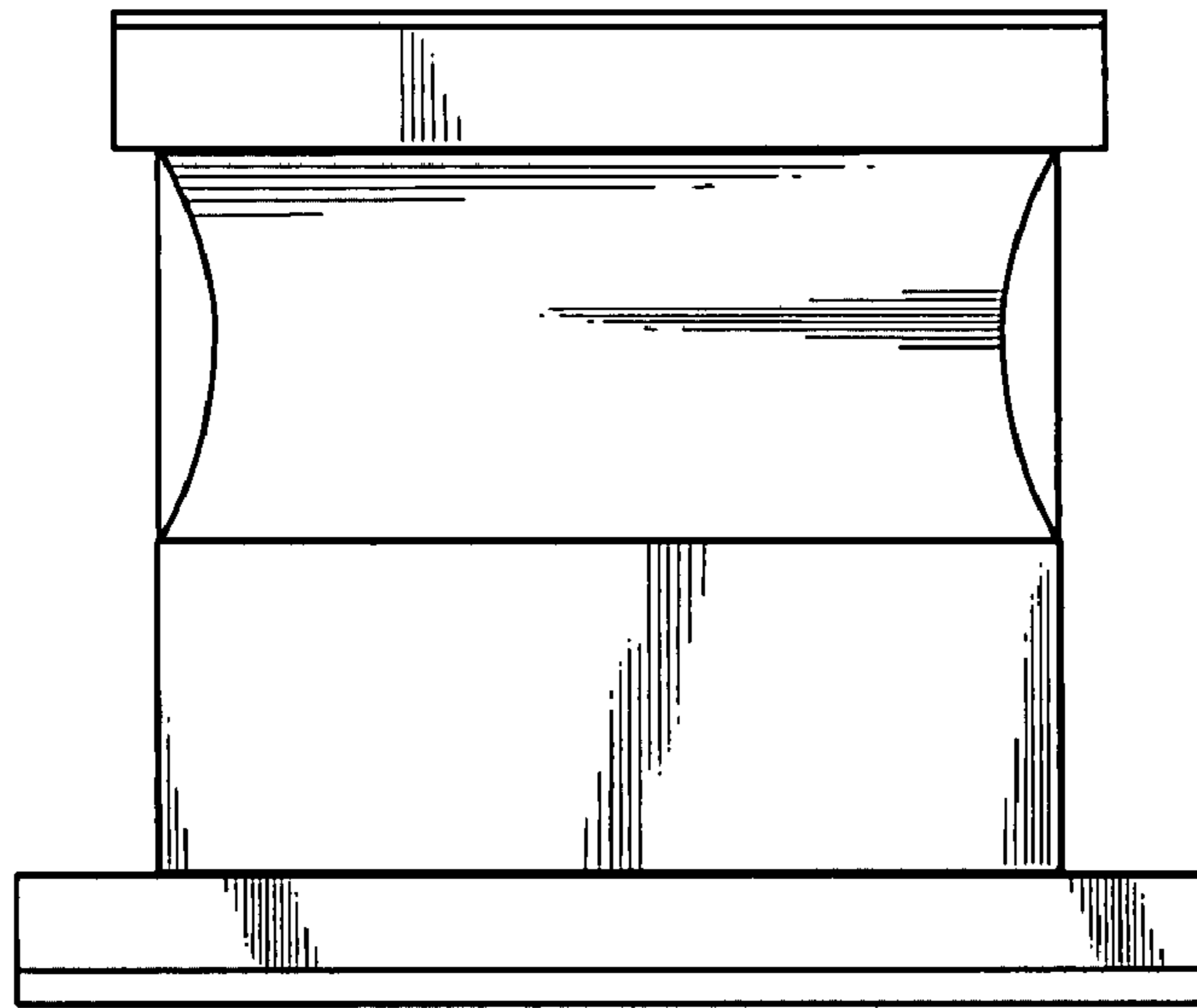


Fig. 4

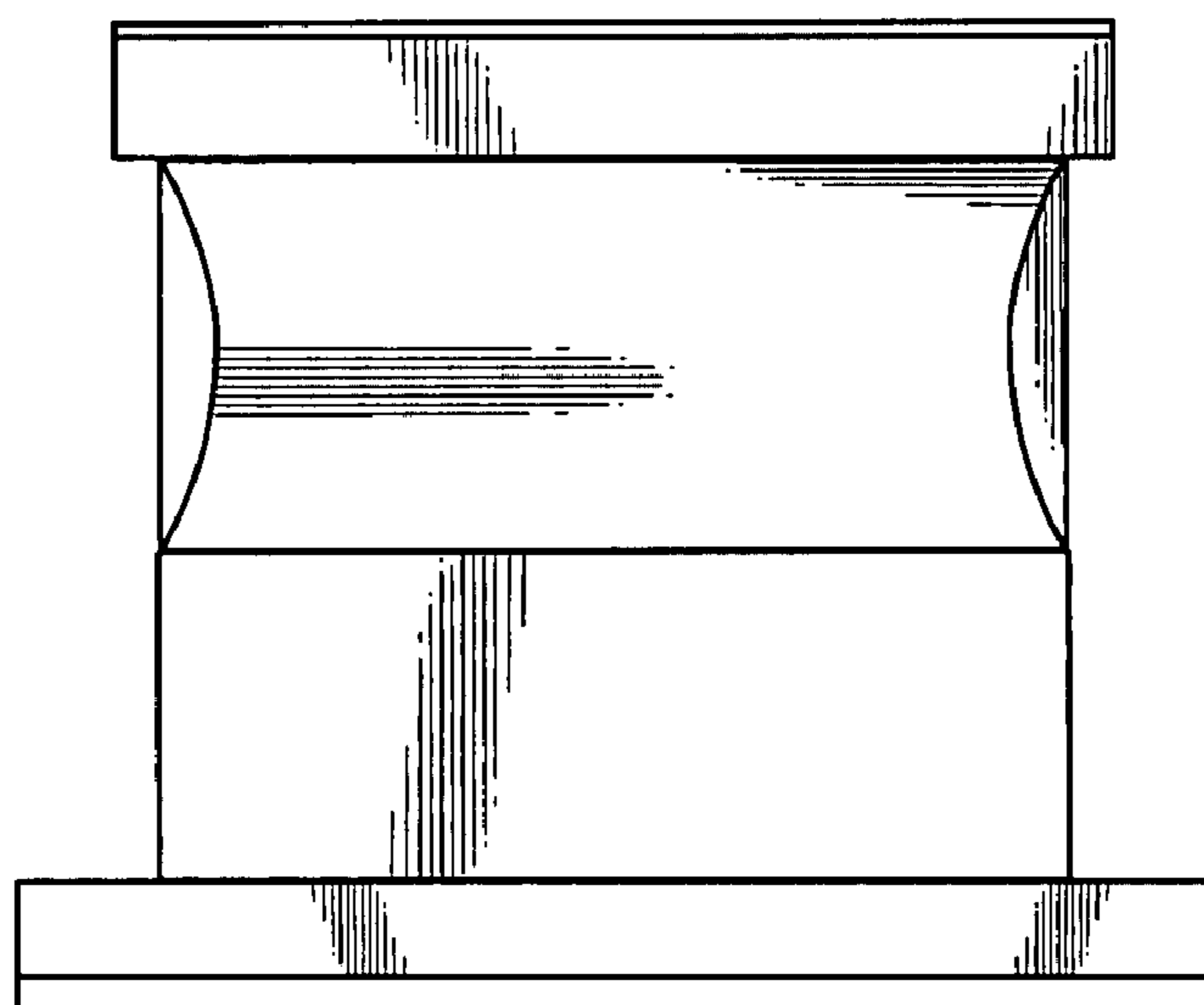


Fig. 5

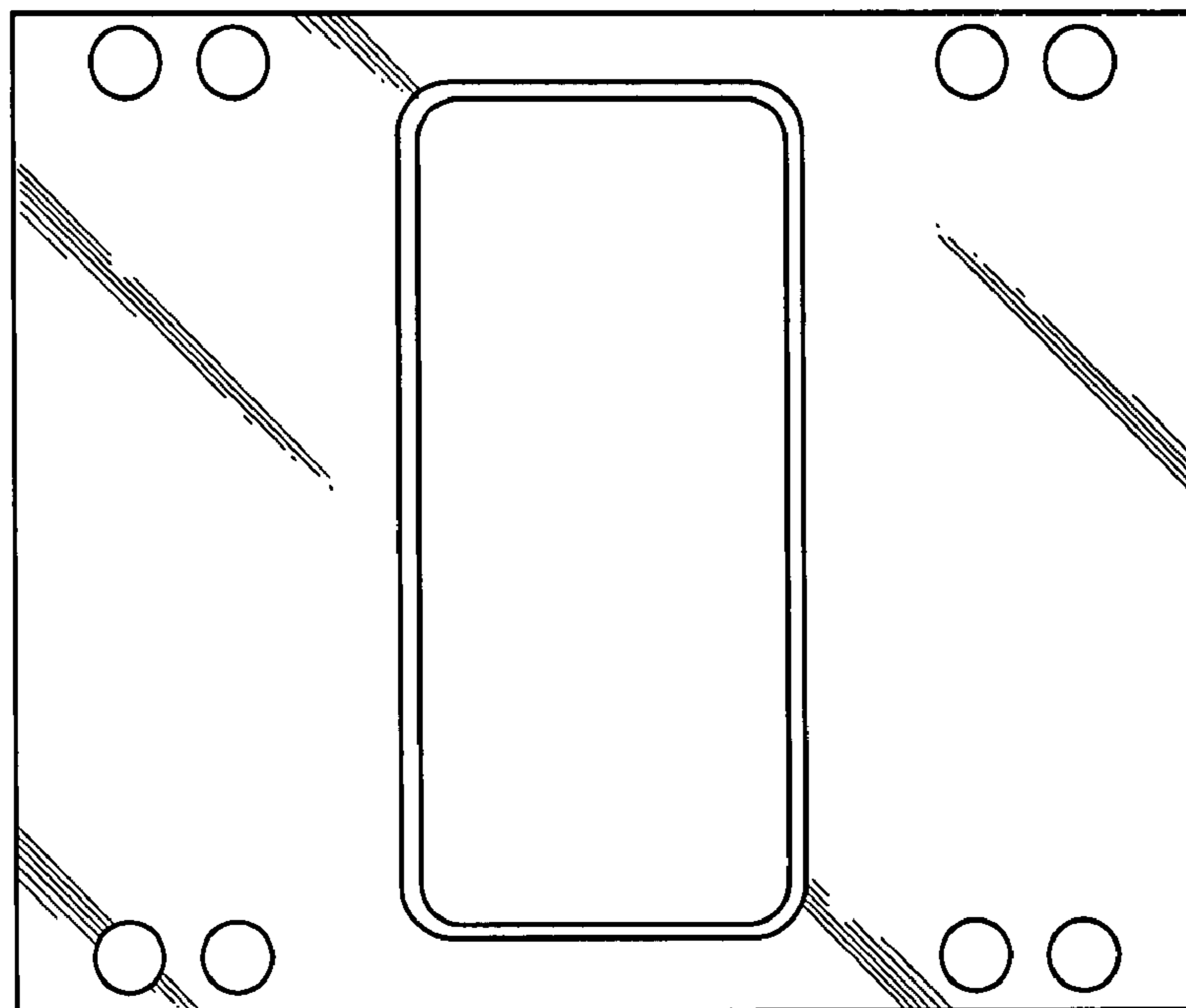


Fig. 6

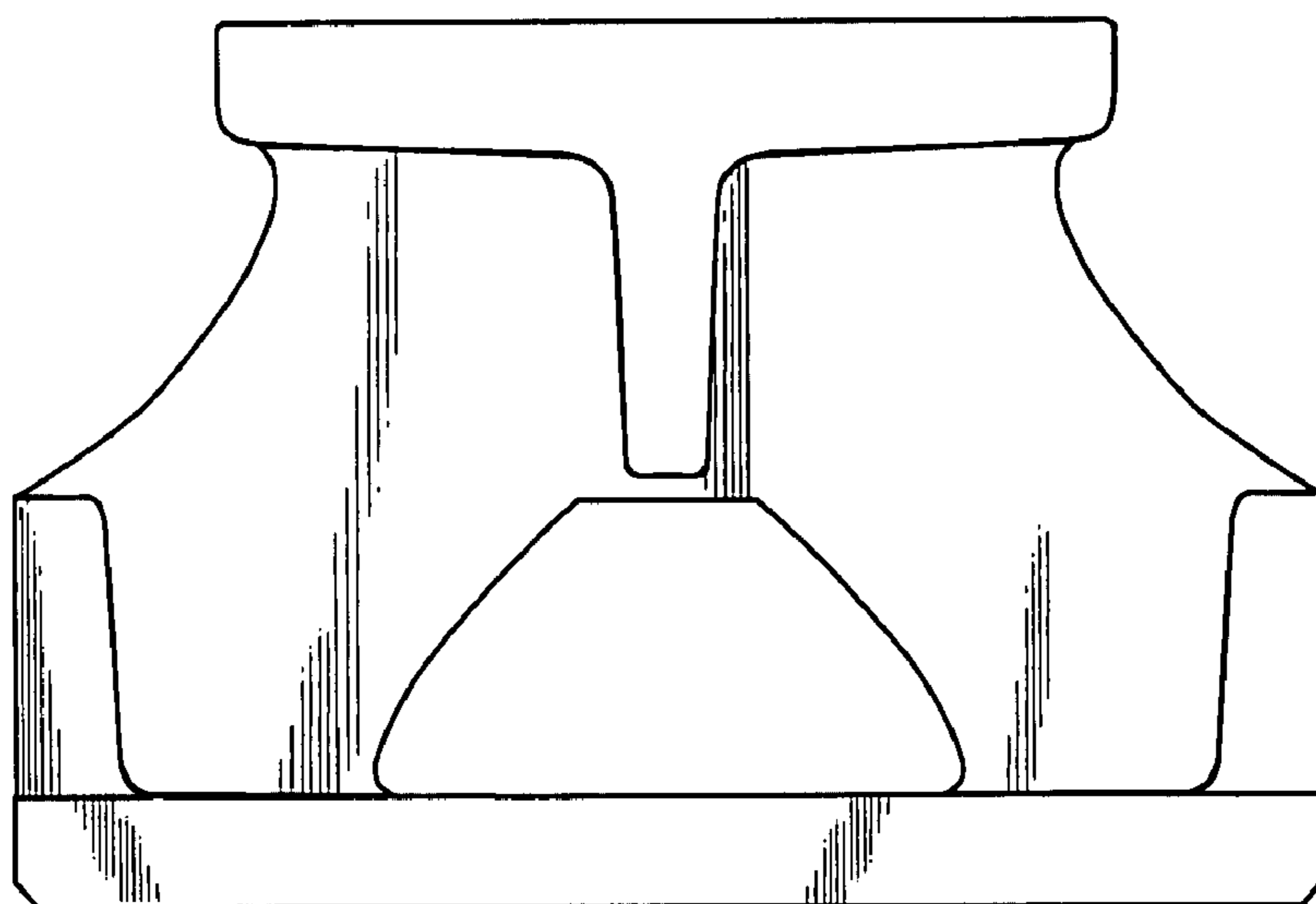


Fig. 7