



US00D571641S

(12) **United States Design Patent**
Sempliner et al.

(10) **Patent No.:** **US D571,641 S**
(45) **Date of Patent:** **** Jun. 24, 2008**

- (54) **GROMMET**
- (75) Inventors: **Arthur T. Sempliner**, Douglaston, NY (US); **Berkeley T. Merchant**, Santa Fe, NM (US)
- (73) Assignee: **Upsite Technologies, Inc.**, Santa Fe, NM (US)
- (**) Term: **14 Years**
- (21) Appl. No.: **29/296,121**
- (22) Filed: **Oct. 15, 2007**

- (51) **LOC (8) Cl.** **08-05**
- (52) **U.S. Cl.** **D8/356**
- (58) **Field of Classification Search** D8/105,
D8/107, 333, 349, 354, 356, 358, 367, 373,
D8/382, 383, 394-396, 400; D23/261; D26/38;
24/197, 561; 174/153 G, 650, 656; 242/400.1,
242/405.1, 405.2, 600, 603, 916; 248/65,
248/74.1-74.4, 201, 214, 215, 229.26, 302,
248/304, 316.7, 316.8; 439/501, 535, 131,
439/135, 142; 16/2.1; D13/139.4, 147, 162,
D13/164, 184; D14/5 R, 5 A, 304, 627; 361/628,
361/631, 643, 644, 673
See application file for complete search history.

(56) **References Cited**

U.S. PATENT DOCUMENTS

945,753	A *	1/1910	Chamberlain et al.	220/242
1,490,252	A *	4/1924	Bissell	220/3.6
3,042,739	A *	7/1962	Craig	174/66
3,778,529	A *	12/1973	Miller	174/528
D236,204	S *	8/1975	Cooper	D23/261
D268,895	S *	5/1983	Beleckis	D8/400
D292,391	S *	10/1987	Schlesch	D12/317
D298,494	S *	11/1988	Mockett	D6/491
5,041,698	A *	8/1991	Takagi et al.	174/66
5,195,288	A *	3/1993	Penczak	52/220.1
5,429,467	A *	7/1995	Gugle et al.	411/182
5,467,947	A *	11/1995	Quilling, II	248/27.1
5,518,115	A *	5/1996	Latulippe	206/370
5,813,243	A *	9/1998	Johnson et al.	62/259.2
5,994,644	A *	11/1999	Rindoks et al.	174/495
6,102,229	A *	8/2000	Moncourtois	220/3.3
6,149,164	A *	11/2000	Kreutz	277/628

6,316,725	B1 *	11/2001	Cole et al.	174/486
6,430,882	B1 *	8/2002	Feldpausch et al.	52/220.7
6,462,277	B1 *	10/2002	Young et al.	174/66
D469,410	S *	1/2003	Lyon	D13/156
D472,325	S *	3/2003	Walker	D24/234
6,557,831	B2 *	5/2003	Erwin	256/65.04
6,632,999	B2 *	10/2003	Sempliner et al.	174/659
6,848,226	B1 *	2/2005	Boyd et al.	52/220.8
7,126,059	B2 *	10/2006	Dinh et al.	174/66

* cited by examiner

Primary Examiner—T. Chase Nelson

Assistant Examiner—Karen Acker

(74) *Attorney, Agent, or Firm*—Schweitzer Cornman Gross & Bondell LLP

(57) **CLAIM**

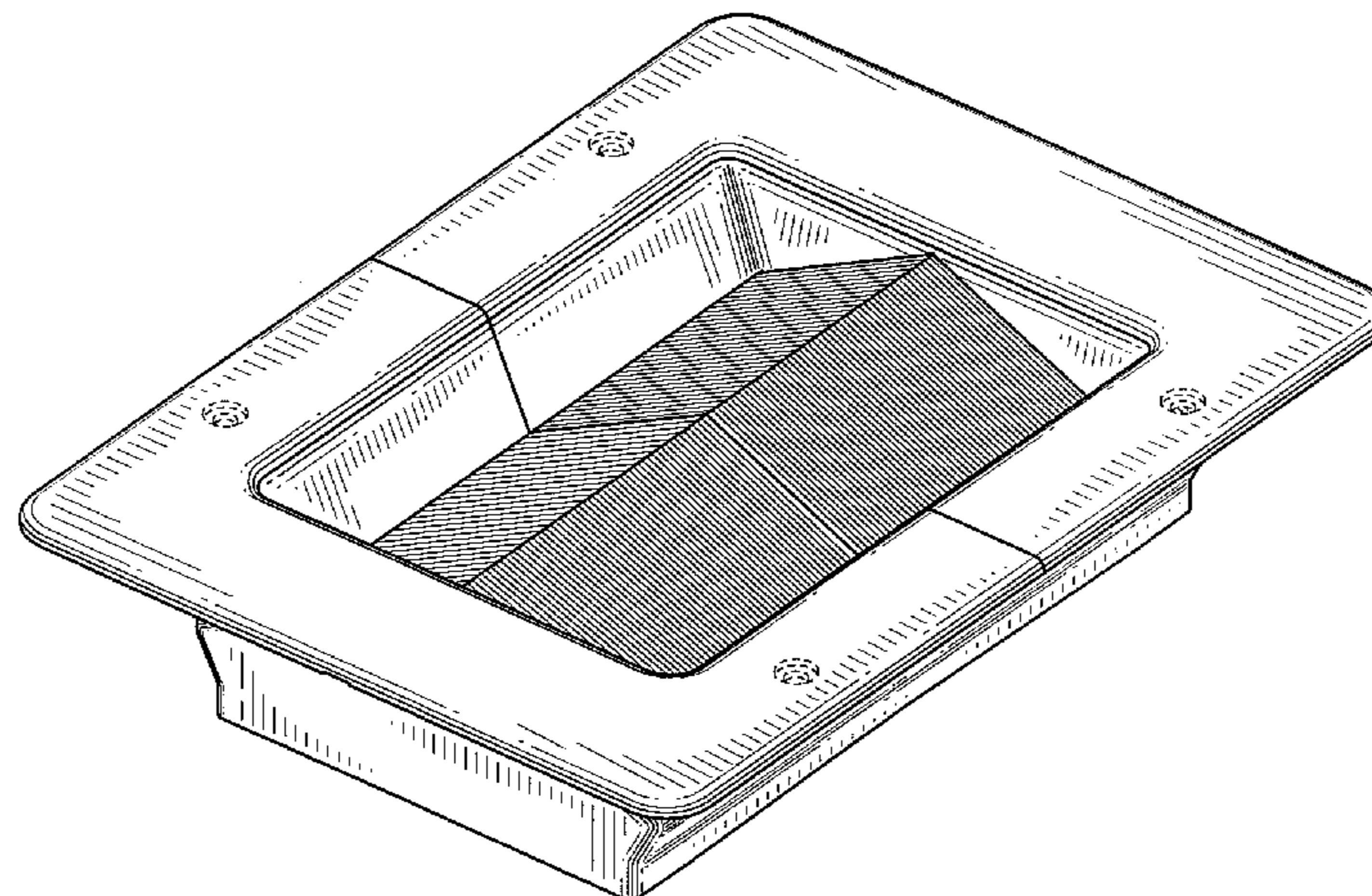
The ornamental design for a grommet, as shown and described.

DESCRIPTION

FIG. 1 is a perspective view of the grommet of the invention; FIG. 2 is a top plan view of the grommet of FIG. 1; FIG. 3 is a bottom plan view of the grommet of FIG. 1; FIG. 4 is an end elevation view of the grommet of FIG. 1, the other end being identical; FIG. 5 is a side elevation view of the grommet of FIG. 1, the other side being identical; FIG. 6 is a perspective view of a second embodiment of the invention; FIG. 7 is a top plan view of the grommet of FIG. 6; FIG. 8 is a bottom plan view of the grommet of FIG. 6; FIG. 9 is an end elevation view of the grommet of FIG. 6, the other end being identical; and, FIG. 10 is a side elevation view of the grommet of FIG. 6, the other side being identical.

The broken lines are intended to show environmental structure and form no part of the claimed design.

1 Claim, 4 Drawing Sheets



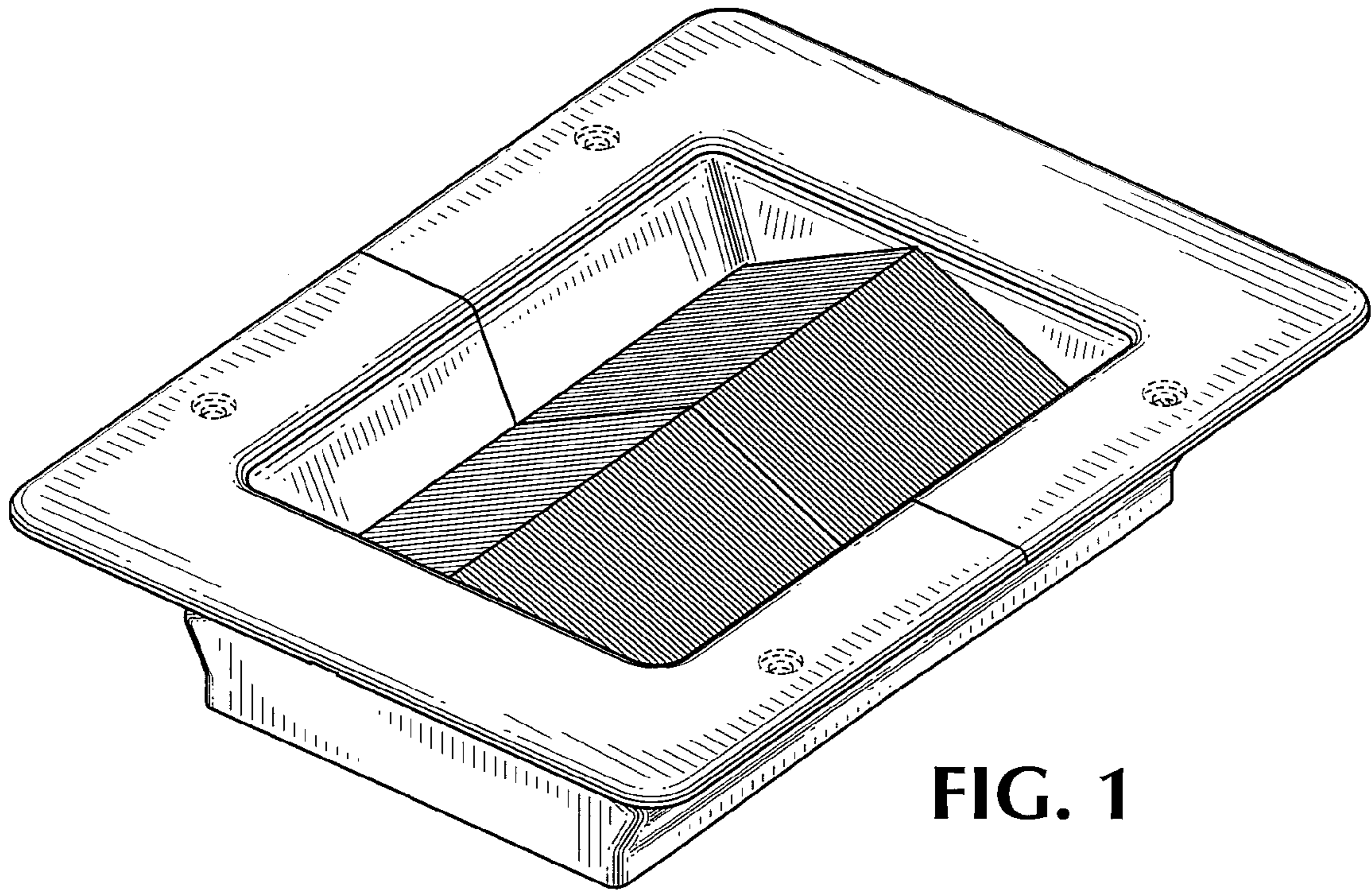


FIG. 1

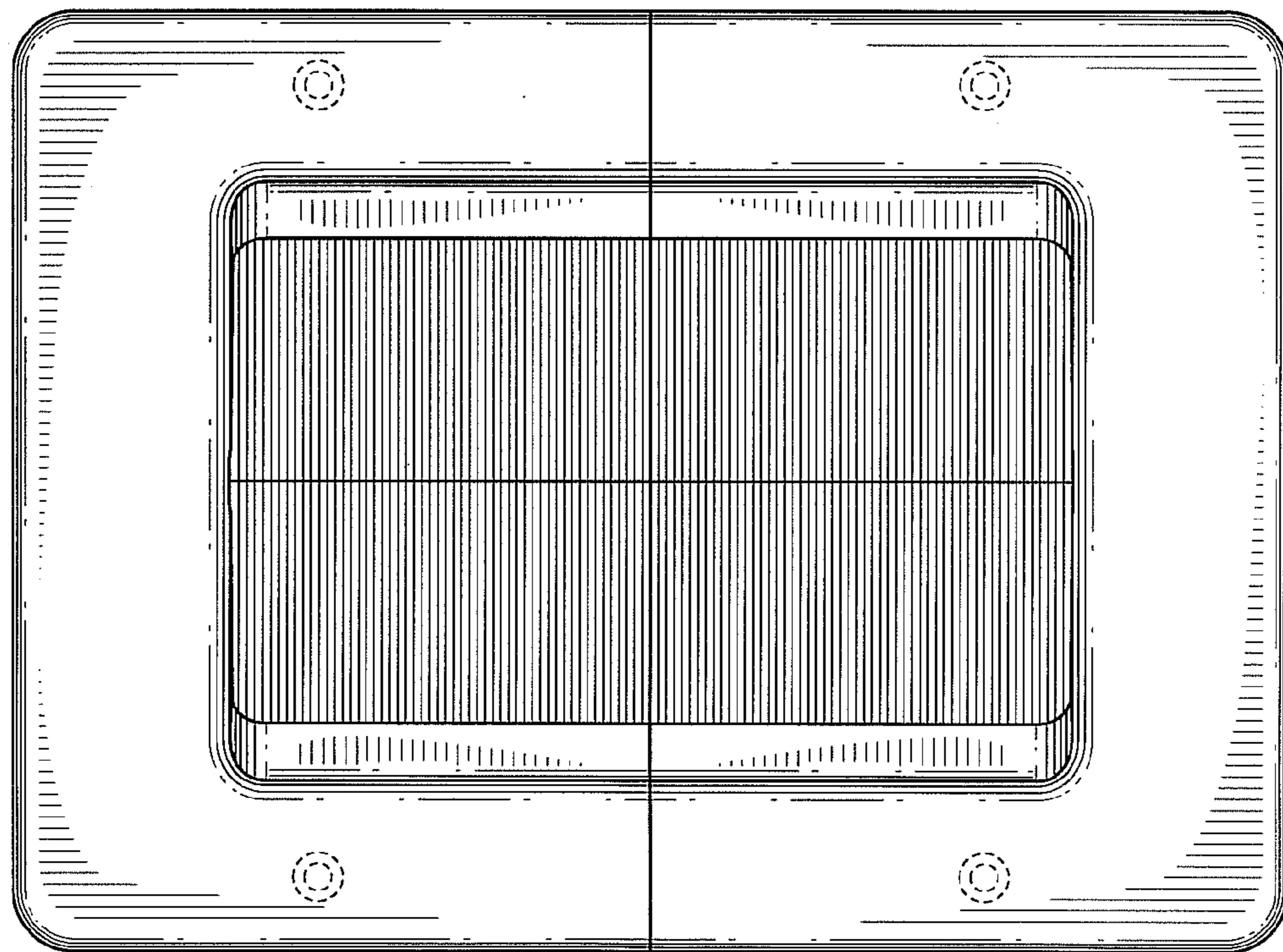


FIG. 2

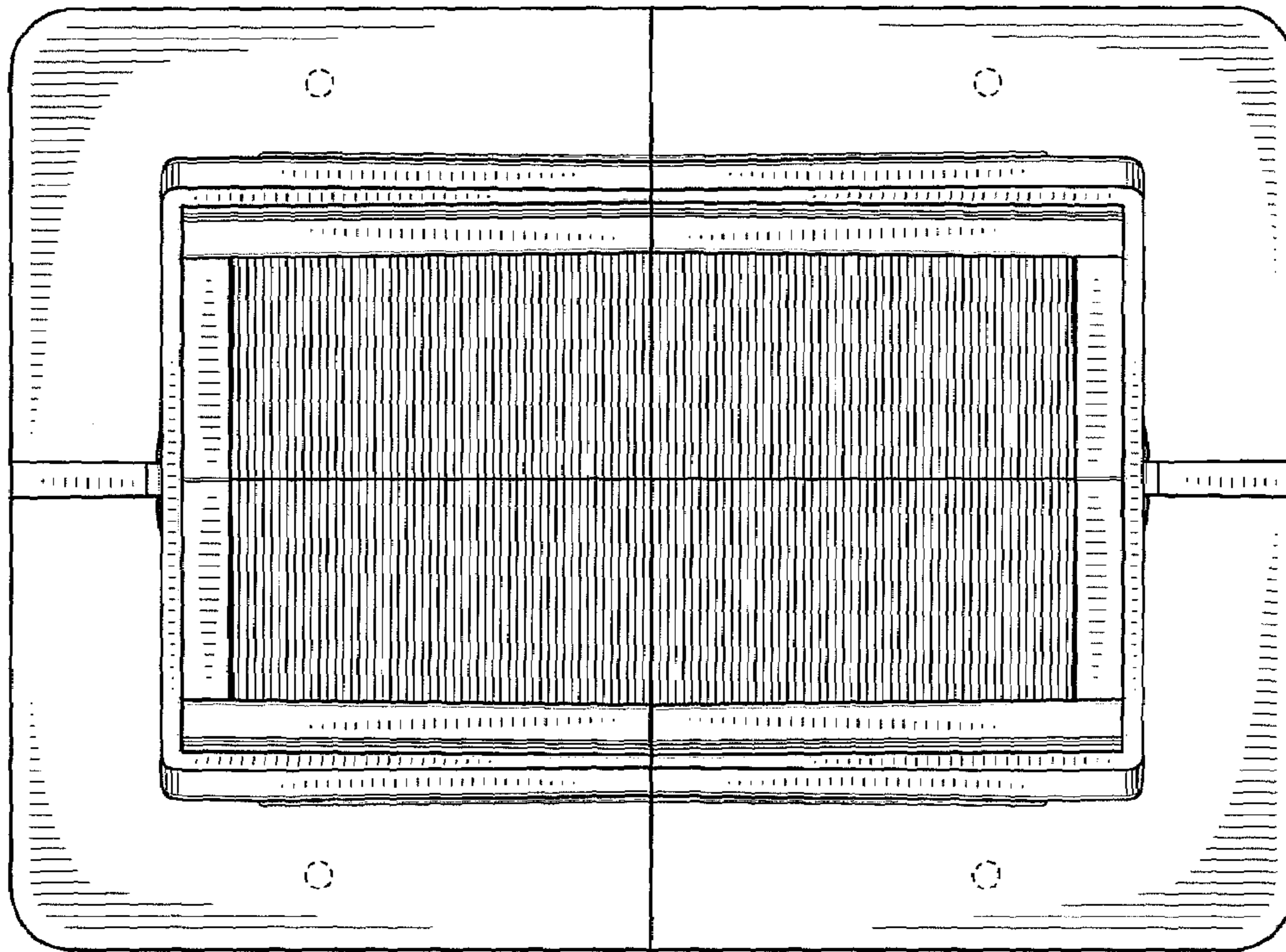


FIG. 3

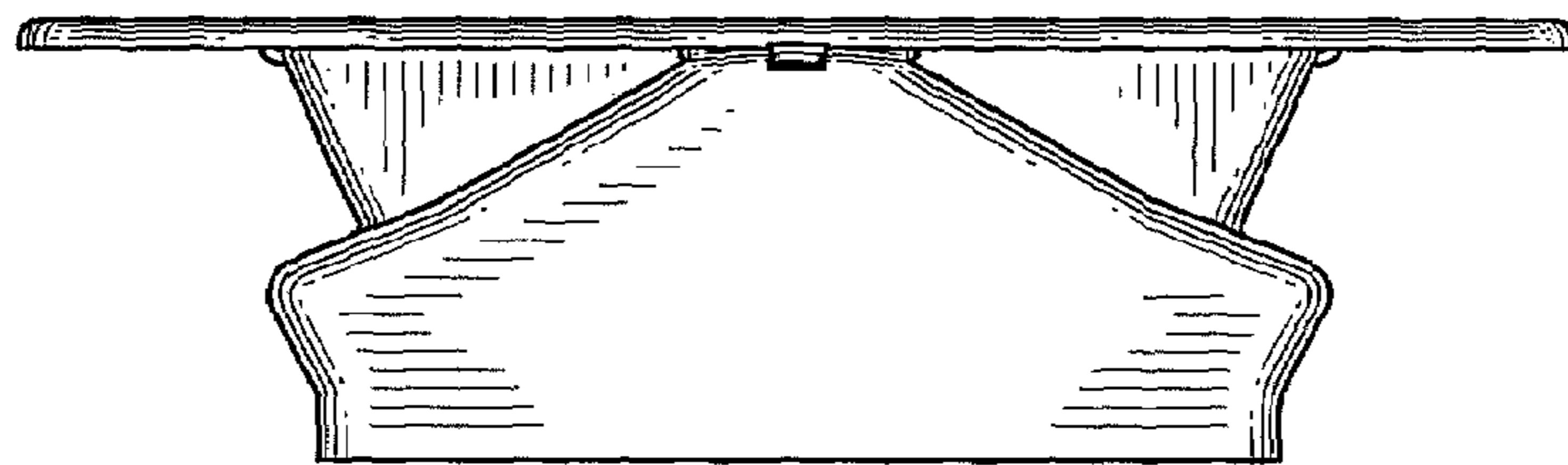


FIG. 4

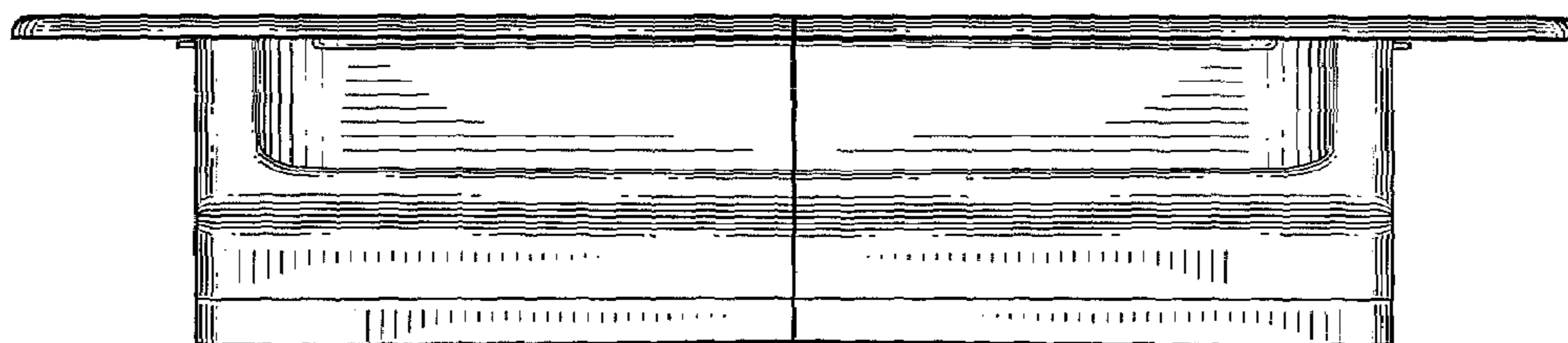


FIG. 5

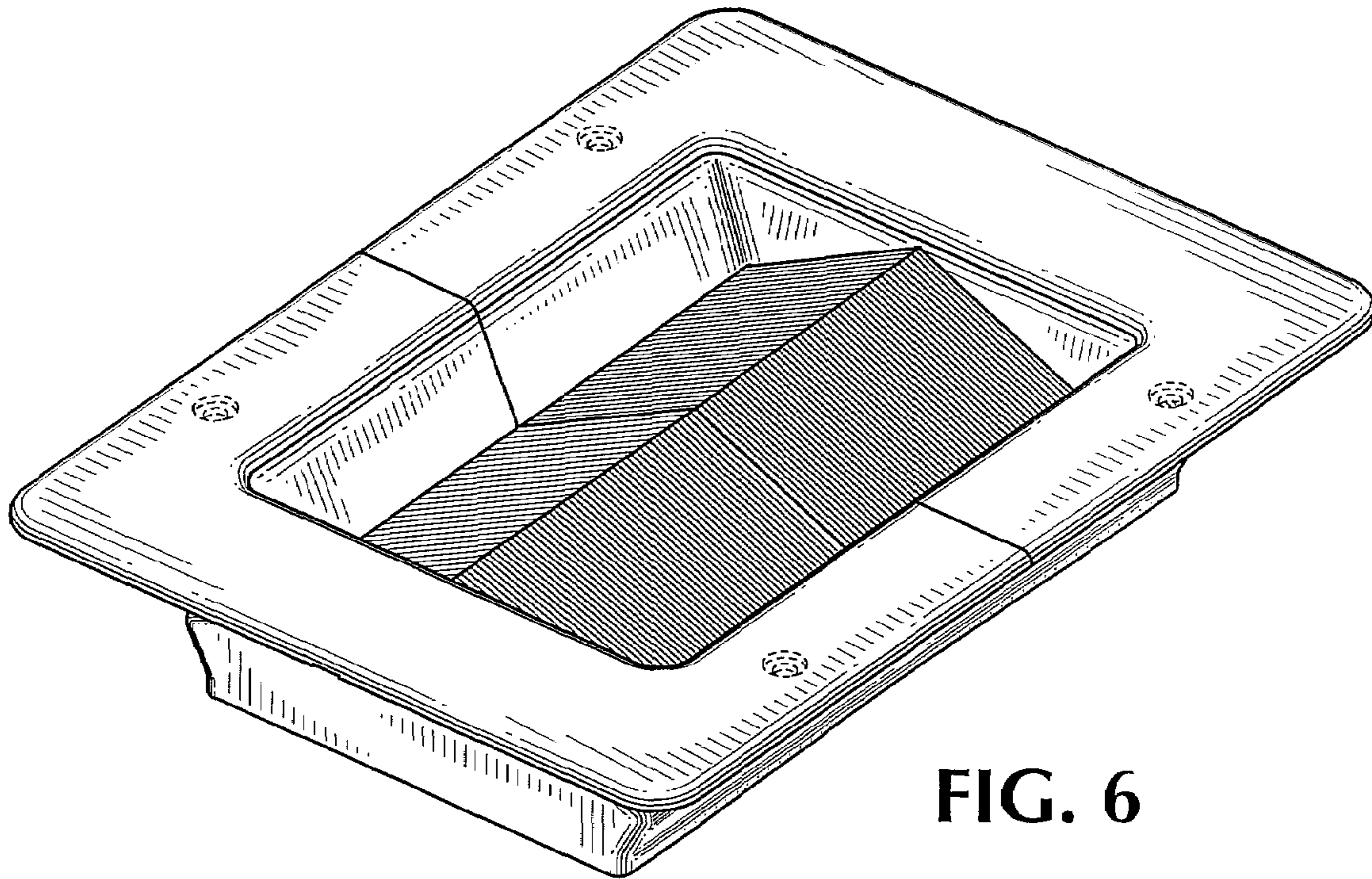


FIG. 6

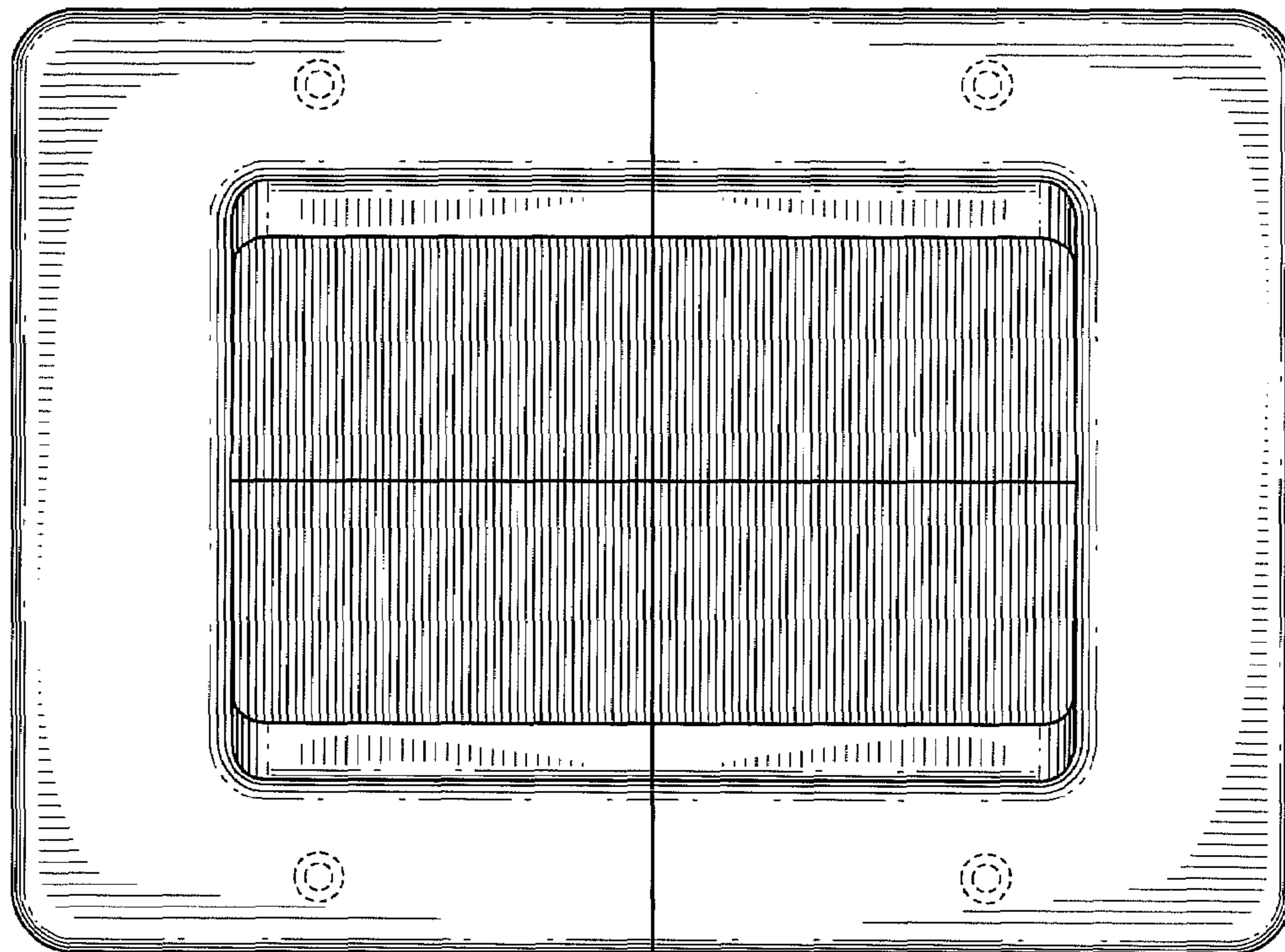


FIG. 7

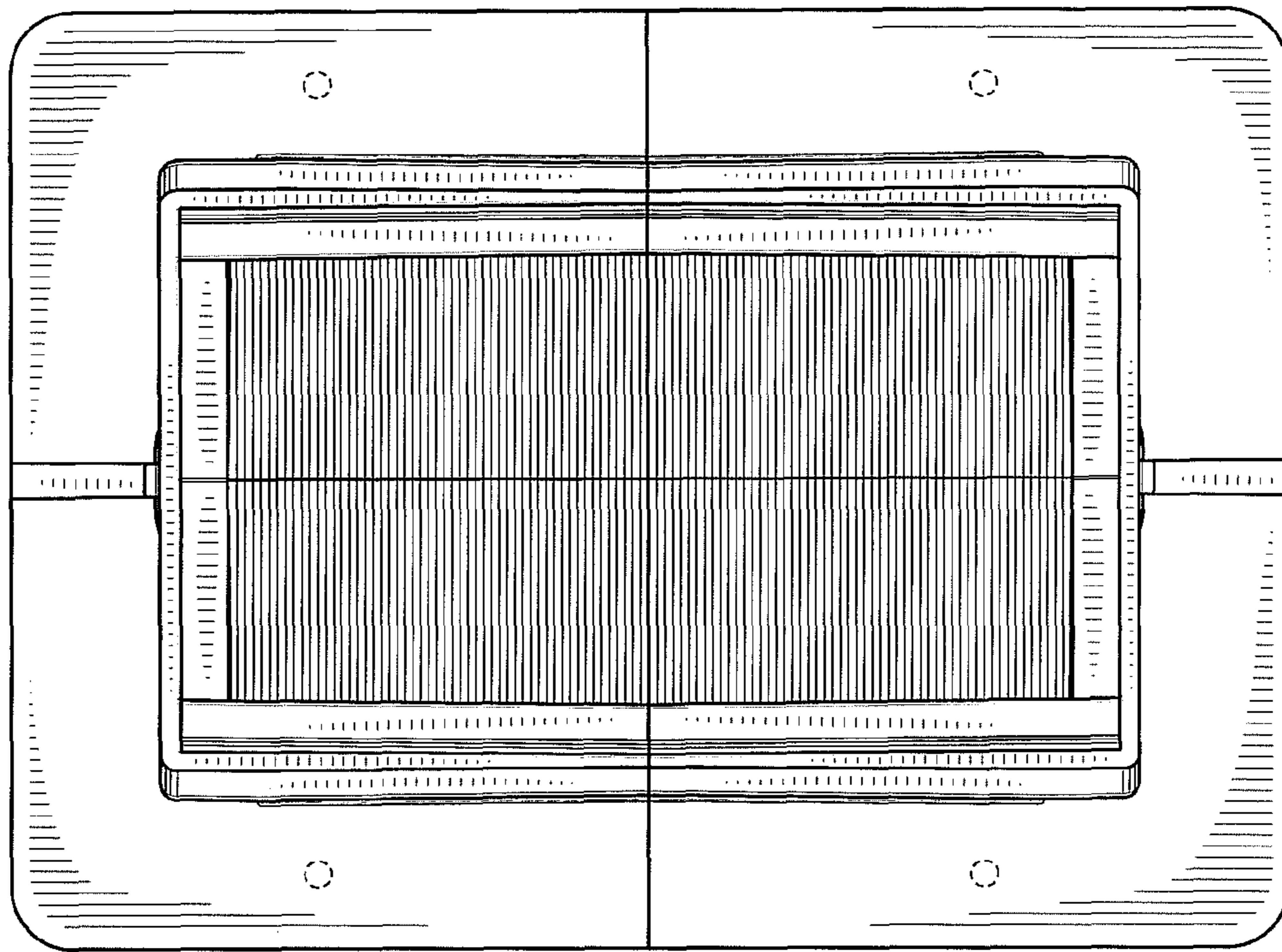


FIG. 8

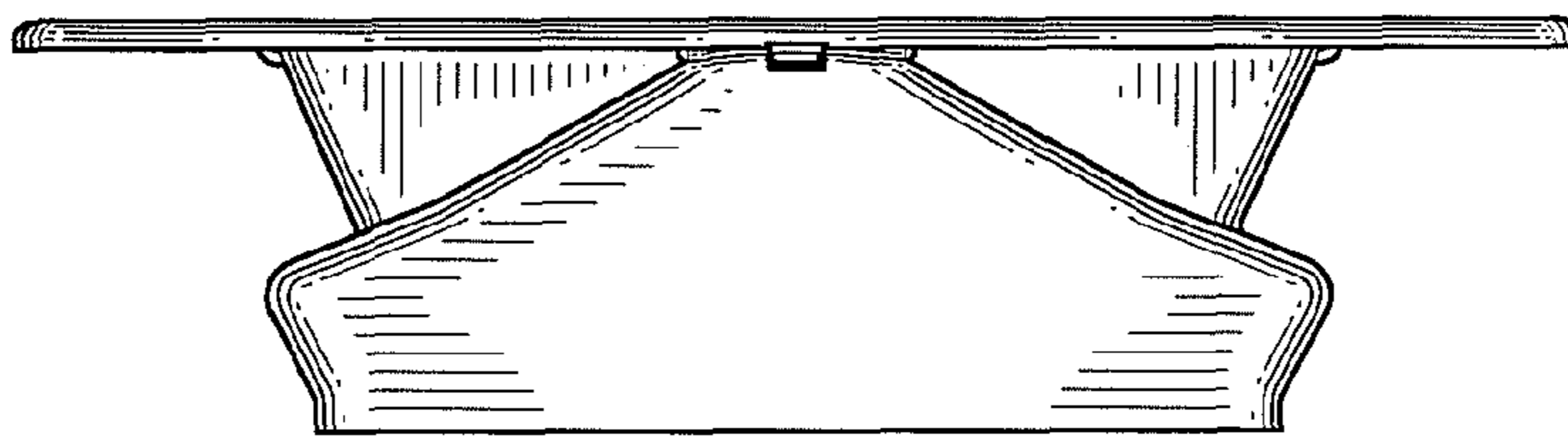


FIG. 9

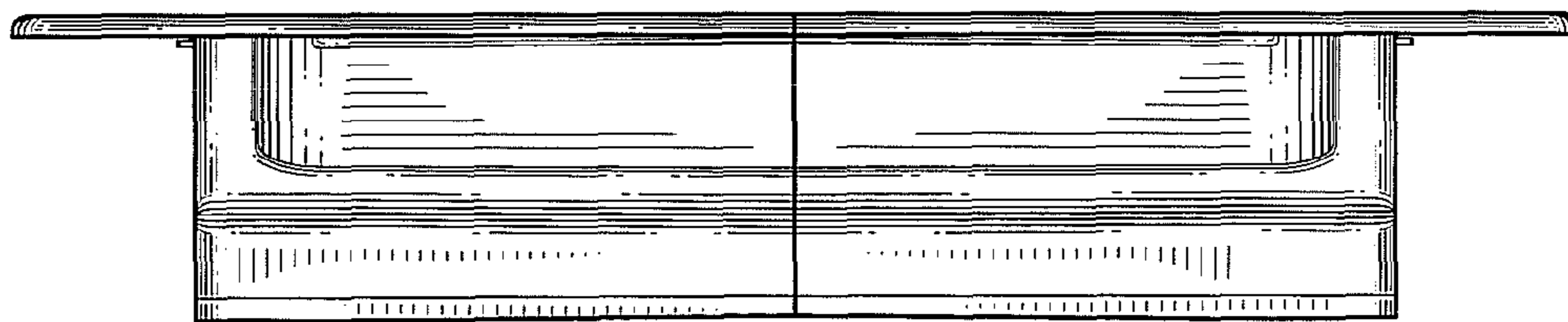


FIG. 10