



US00D571636S

(12) **United States Design Patent**
Phillips et al.

(10) **Patent No.:** **US D571,636 S**
(45) **Date of Patent:** **** Jun. 24, 2008**

(54) **STEERING WHEEL LOCK**
(75) Inventors: **Brian Thomas Phillips**, Christ Church (BB); **Thomas Garfield Phillips**, Surrey (CA); **Julie Patricia Esther Phillips**, Surrey (CA)

(73) Assignee: **Sixty6 Investments, Ltd.**, Tortola (VG)

(**) Term: **14 Years**

(21) Appl. No.: **29/285,420**

(22) Filed: **Mar. 27, 2007**

(30) **Foreign Application Priority Data**
Sep. 29, 2006 (CA) 117781

(51) **LOC (8) Cl.** **08-07**
(52) **U.S. Cl.** **D8/331; D8/335**
(58) **Field of Classification Search** D8/330, D8/331, 333, 335, 336, 338, 339, 341, 342; D21/722, 727; 473/562; 70/209, 237; 340/321, 340/322, 426.1; 180/287; 292/8, 9, 11, 12, 292/16, 24

See application file for complete search history.

(56) **References Cited**

U.S. PATENT DOCUMENTS

D325,157 S 4/1992 Chen
D328,233 S 7/1992 Rong
D342,886 S 1/1994 Su
D349,839 S * 8/1994 Gilardelli D8/331
5,440,907 A 8/1995 Shen
5,471,855 A 12/1995 Wu

D368,421 S * 4/1996 Jensen, Sr. D8/331
5,557,956 A 9/1996 Merz
5,566,561 A 10/1996 Hucknall
D399,409 S 10/1998 Chelaru
D399,412 S * 10/1998 Chelaru D8/339
5,865,044 A 2/1999 Wu
D421,079 S * 2/2000 Ryu D21/727
D427,880 S 7/2000 Sombatjirakal
D429,456 S 8/2000 Chen
6,734,788 B1 5/2004 Winner
D516,409 S 3/2006 Phillips et al.

* cited by examiner

Primary Examiner—Stella M. Reid
Assistant Examiner—Shanda C. Hill

(74) *Attorney, Agent, or Firm*—Graybeal, Jackson, Haley, LLP

(57) **CLAIM**

The ornamental design for a steering wheel lock, as shown and described.

DESCRIPTION

FIG. 1 is a perspective view of a steering wheel lock showing our new design;

FIG. 2 is a top view of FIG. 1;

FIG. 3 is a front view of FIG. 1;

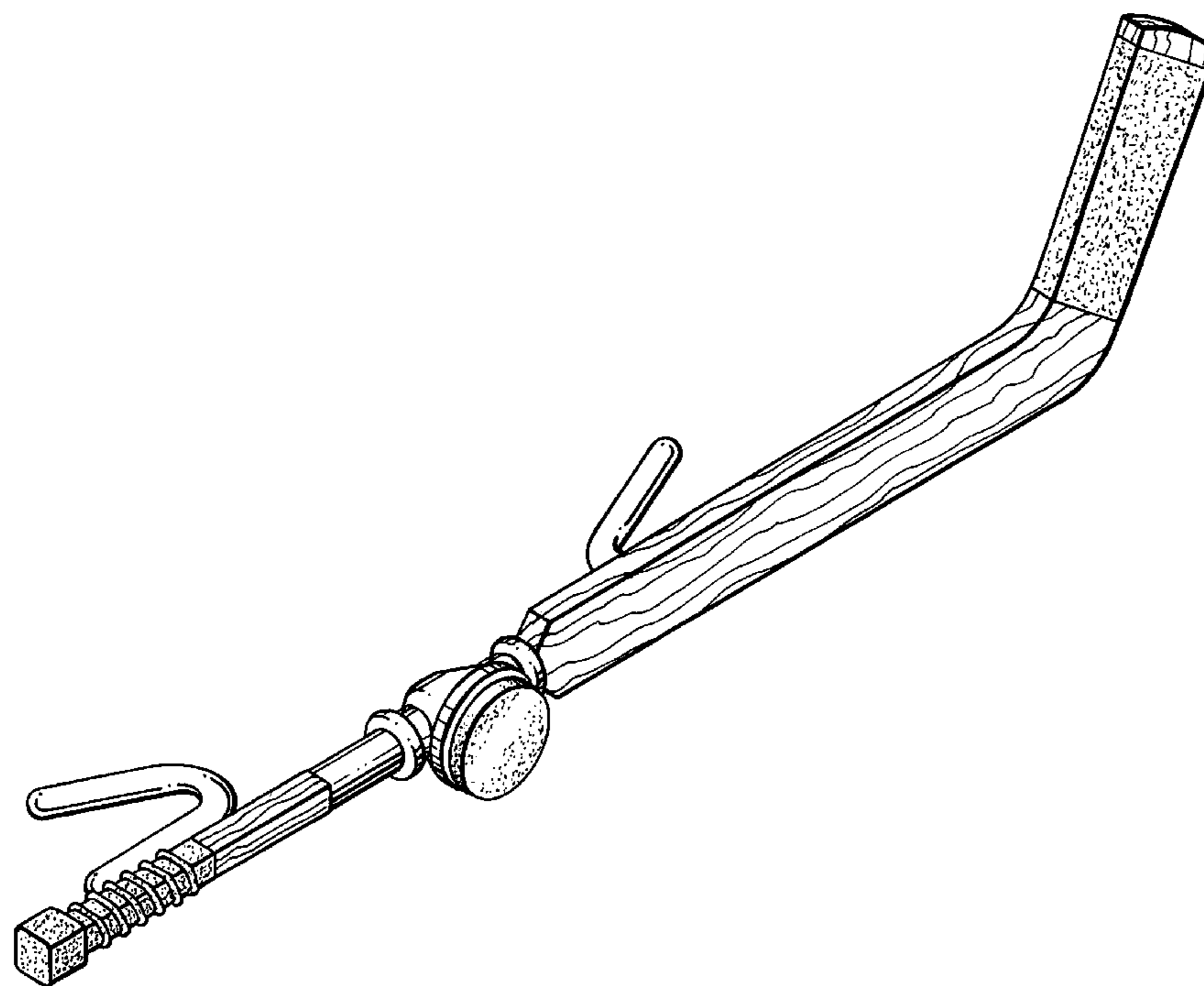
FIG. 4 is a bottom view of FIG. 1;

FIG. 5 is a rear view of FIG. 1;

FIG. 6 is a end view of FIG. 1; and,

FIG. 7 is an opposite end view of FIG. 1.

1 Claim, 4 Drawing Sheets



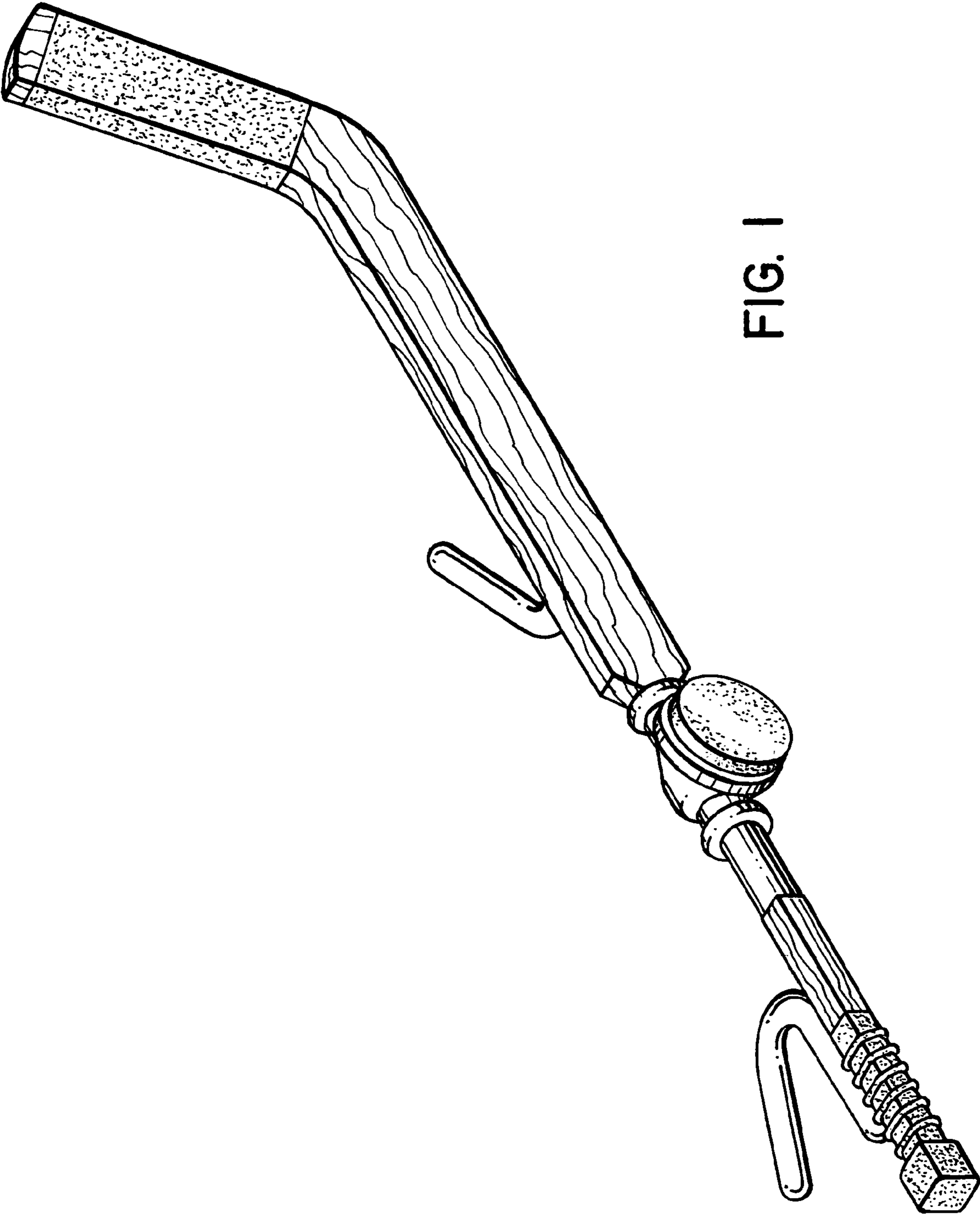


FIG. 1

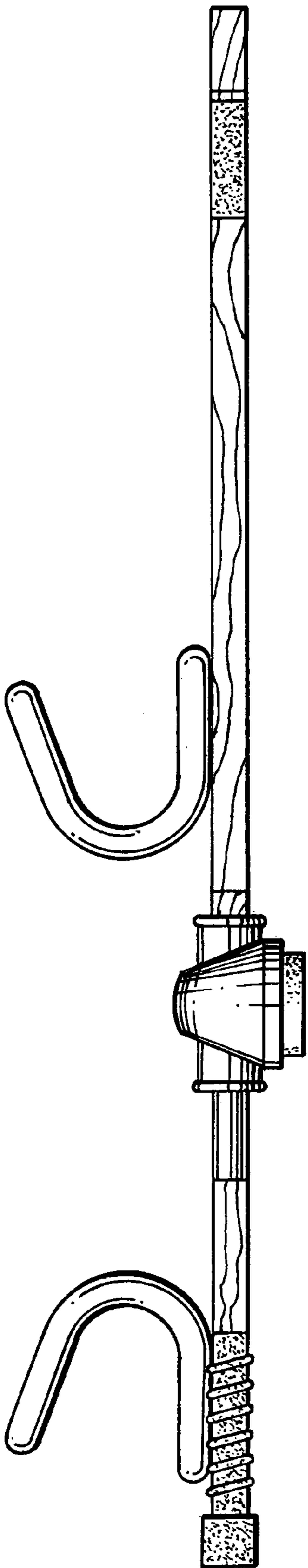


FIG. 2

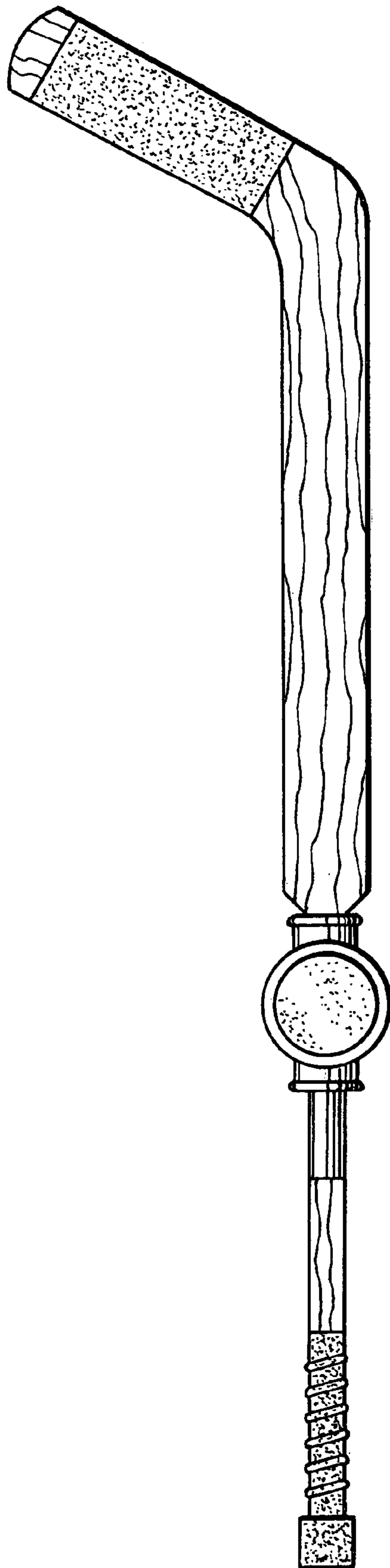


FIG. 3

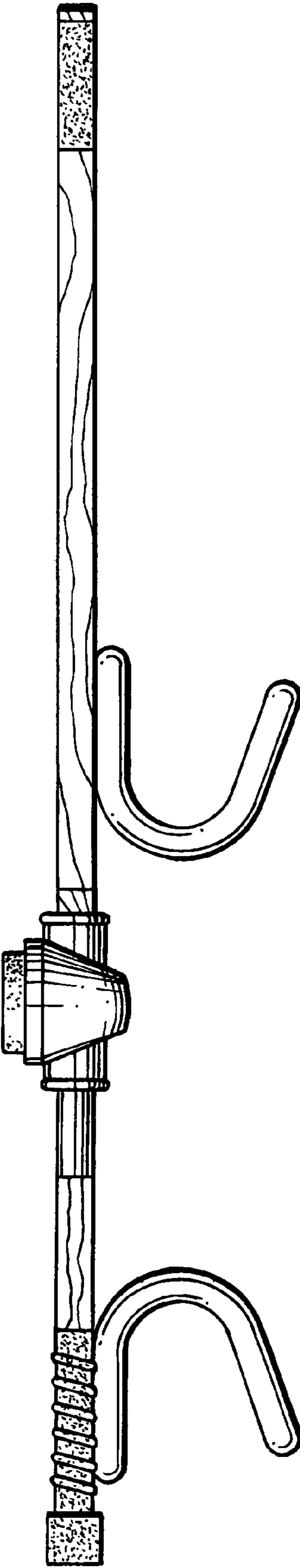


FIG. 4

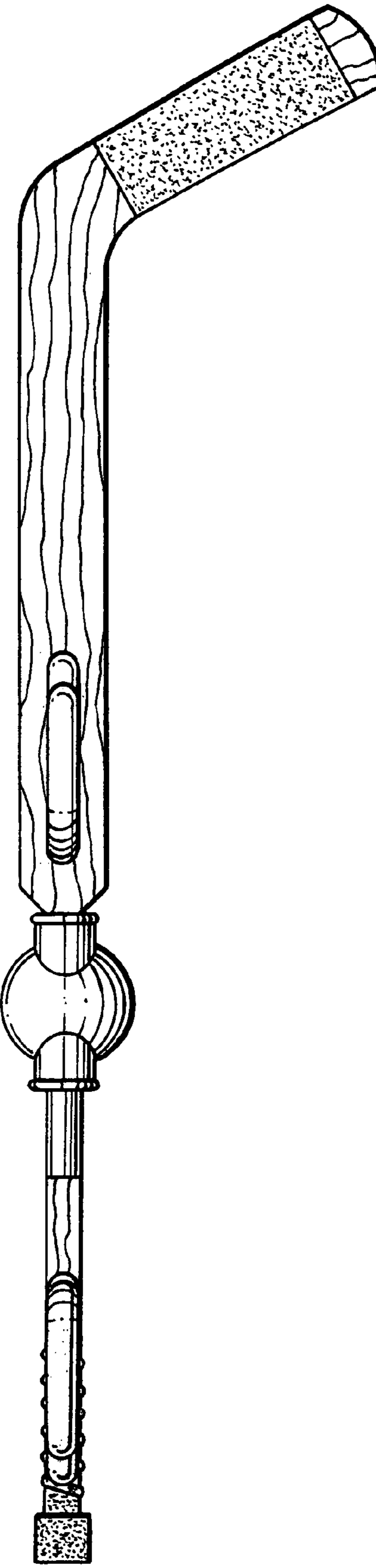


FIG. 5

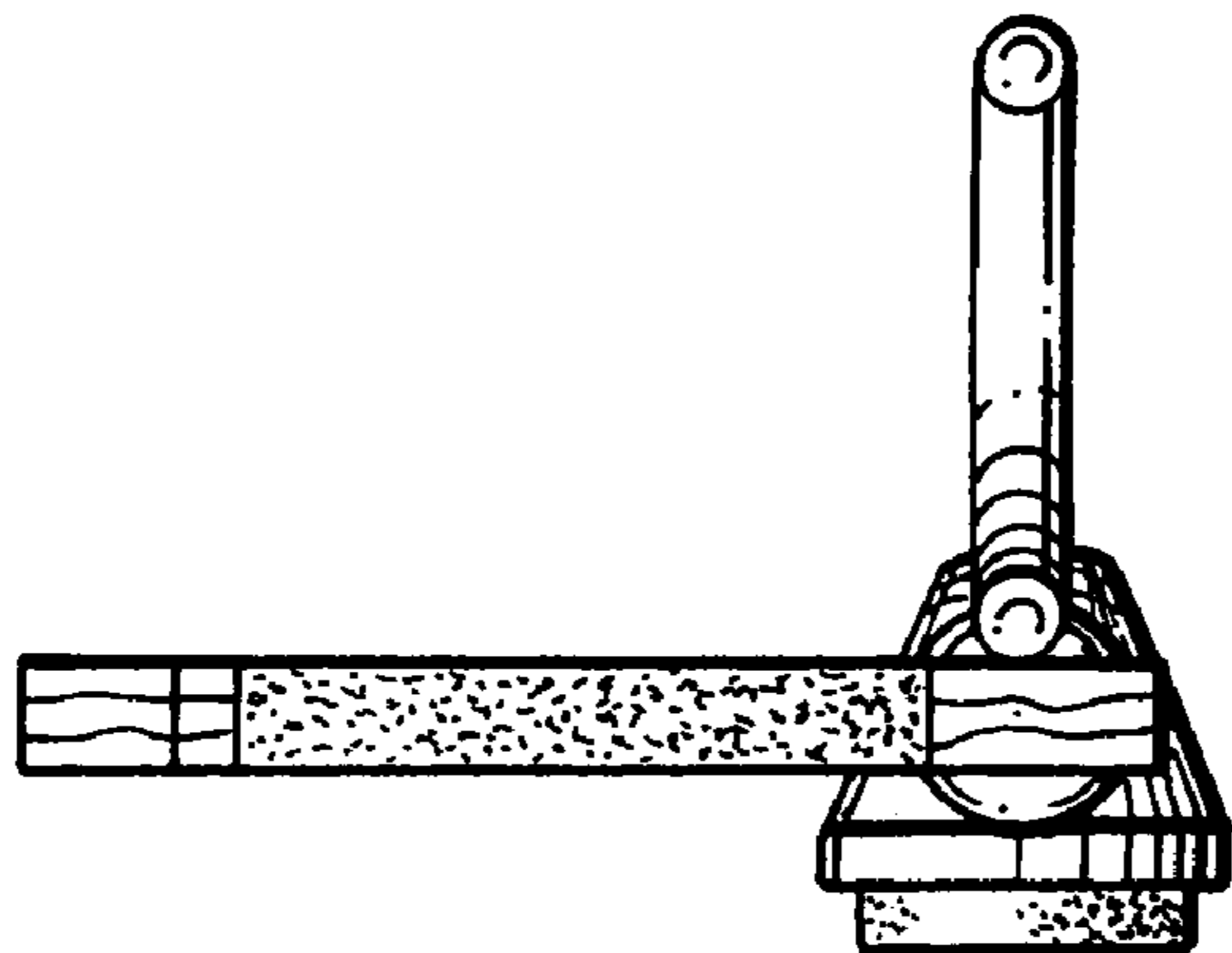


FIG. 7

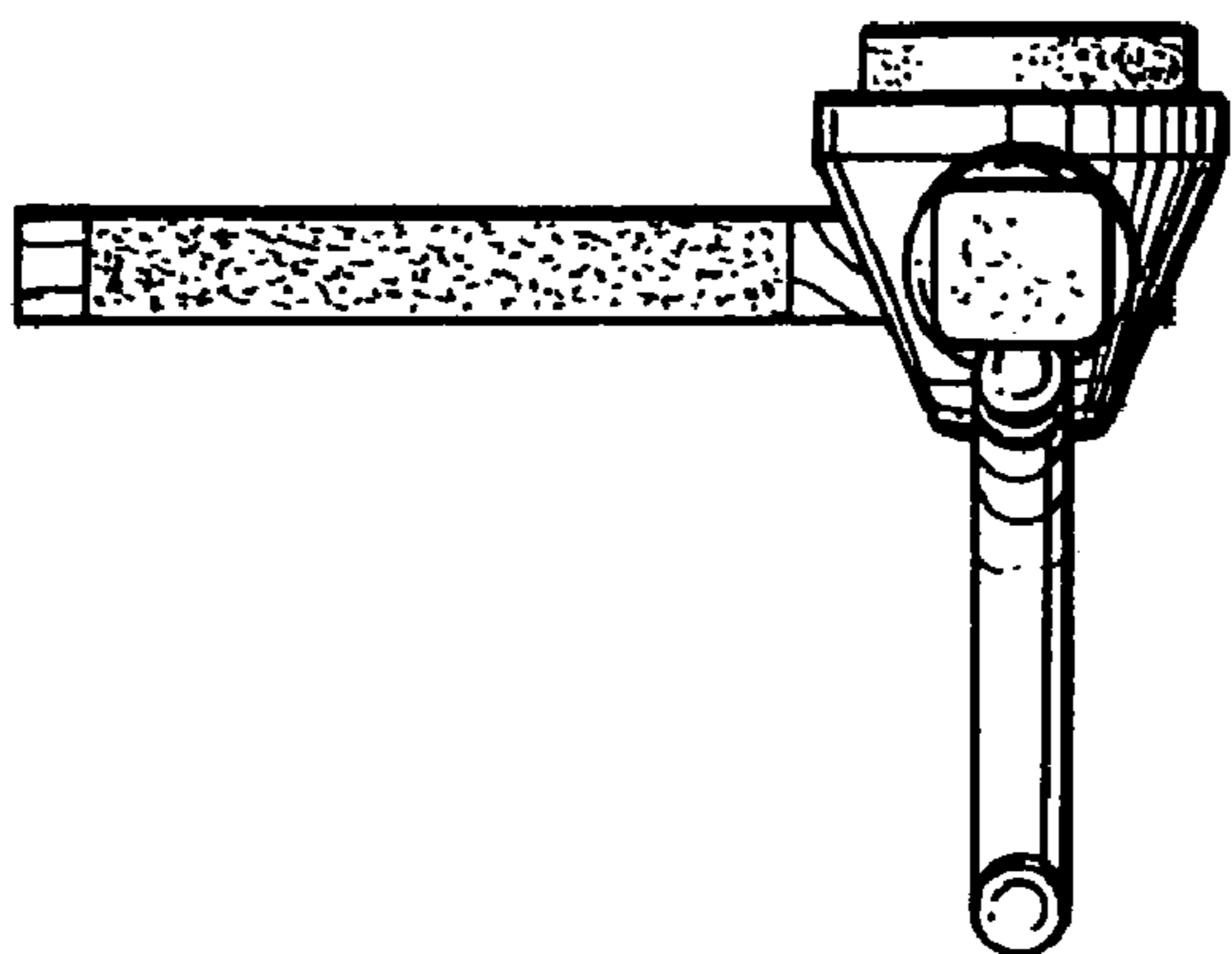


FIG. 6