



US00D571635S

(12) **United States Design Patent**
Liang et al.

(10) **Patent No.:** **US D571,635 S**
(45) **Date of Patent:** **** Jun. 24, 2008**

(54) **SASH LOCK AND KEEPER**

2001/0005995 A1* 7/2001 Subliskey 70/89
2007/0046036 A1* 3/2007 Kinsey 292/228

(76) Inventors: **Luke Liang**, 500 Metuchen Rd., S.
Plainfield, NJ (US) 07080; **Tong Liang**,
Suite 1712, 195 Yanjiang Road,
Guangzhou (CN); **David Chen**, 1000 Jie
Fang Beil Rd., Apt. C1-304, Guangzhou
(CN)

* cited by examiner

Primary Examiner—Mitchell I Siegel
(74) *Attorney, Agent, or Firm*—Thomas A. O'Rourke;
Bodner & O'Rourke, LLP

(**) **Term:** **14 Years**

(57) **CLAIM**

(21) **Appl. No.:** **29/264,859**

The ornamental design for a sash lock and keeper, as shown
and described.

(22) **Filed:** **Aug. 18, 2006**

DESCRIPTION

(51) **LOC (8) Cl.** **08-07**

FIG. 1 is a top view of the lock of the present application with
the keeper in position.

(52) **U.S. Cl.** **D8/331**

FIG. 2 is a side view of the lock of FIG. 1 with a keeper in
position.

(58) **Field of Classification Search** D8/330–348;
70/141, 81; 292/336.3, 347, 358, 359, DIG. 20,
292/DIG. 47, 217, 224, 202, 204, 32, 175,
292/228, 241, 242; 49/181, 185
See application file for complete search history.

FIG. 3 is a side view of the handle side of the lock of FIG. 1,
opposite the side of FIG. 2.

FIG. 4 is a bottom view of the lock of FIG. 1.

(56) **References Cited**

U.S. PATENT DOCUMENTS

D293,548 S *	1/1988	Bates et al.	D8/337
D295,948 S *	5/1988	Mandell	D8/337
D380,957 S *	7/1997	Evans et al.	D8/337
D382,191 S *	8/1997	Plummer	D8/337
D382,192 S *	8/1997	Plummer	D8/337
D408,263 S *	4/1999	Briggs	D8/337
D418,737 S *	1/2000	Libby et al.	D8/337
6,634,683 B1 *	10/2003	Brannan	292/241
6,871,886 B2 *	3/2005	Coleman et al.	292/241
6,983,963 B2 *	1/2006	Eslick et al.	292/242
7,000,957 B2 *	2/2006	Lawrence	292/241
7,017,957 B2 *	3/2006	Murphy et al.	292/241
D527,613 S *	9/2006	Omangi et al.	D8/331
7,159,908 B2 *	1/2007	Liang	292/242
D536,950 S *	2/2007	Liang et al.	D8/331
D539,634 S *	4/2007	Tanaka et al.	D8/333

FIG. 5 is a left end view of the lock of FIG. 1.

FIG. 6 is a right end view of the lock of FIG. 1.

FIG. 7 is a front view perspective view of the lock of FIG. 1
with the keeper in position.

FIG. 8 is a rear perspective view of the lock of FIG. 1.

FIG. 9 is a rear perspective view of the sash lock and keeper.

FIG. 10 is a front perspective view of FIG. 9.

FIG. 11 is a top view of FIG. 9.

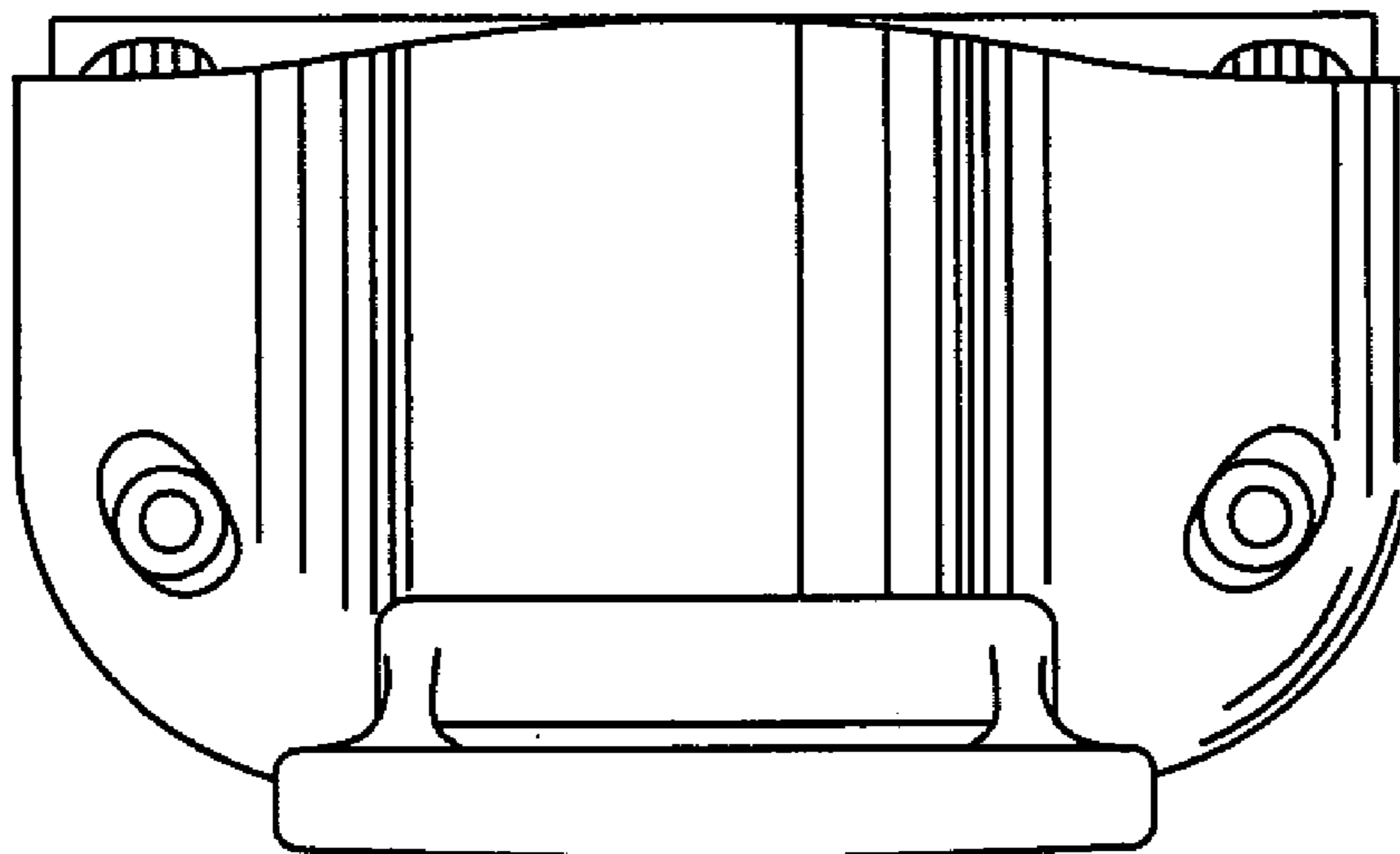
FIG. 12 is a side view of FIG. 9.

FIG. 13 is a bottom view of FIG. 9.

FIG. 14 is a left end view of FIG. 9; and,

FIG. 15 is a right end view of FIG. 9.

1 Claim, 8 Drawing Sheets



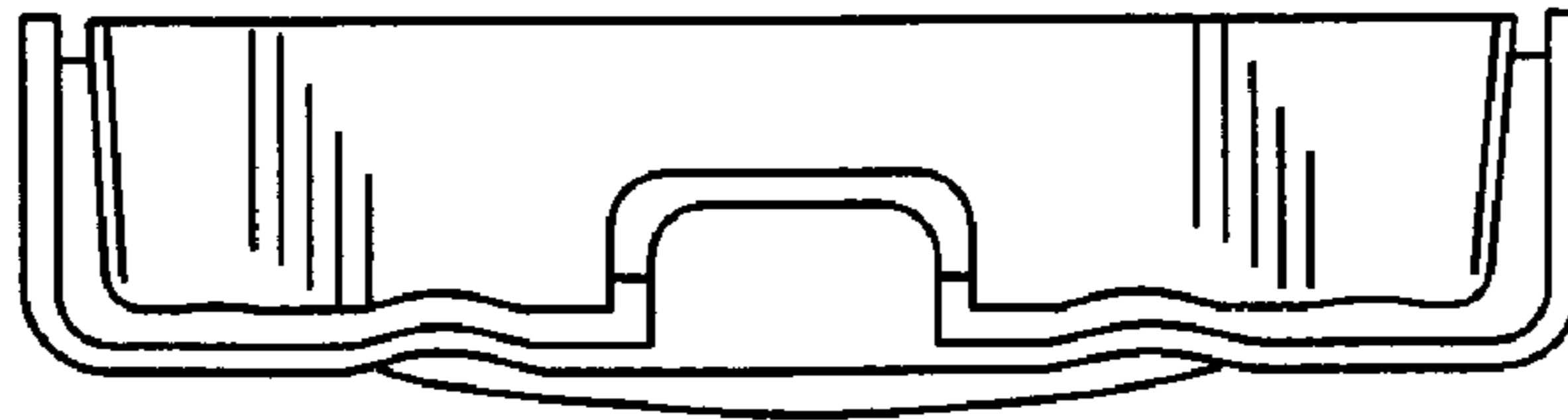


FIG. 2

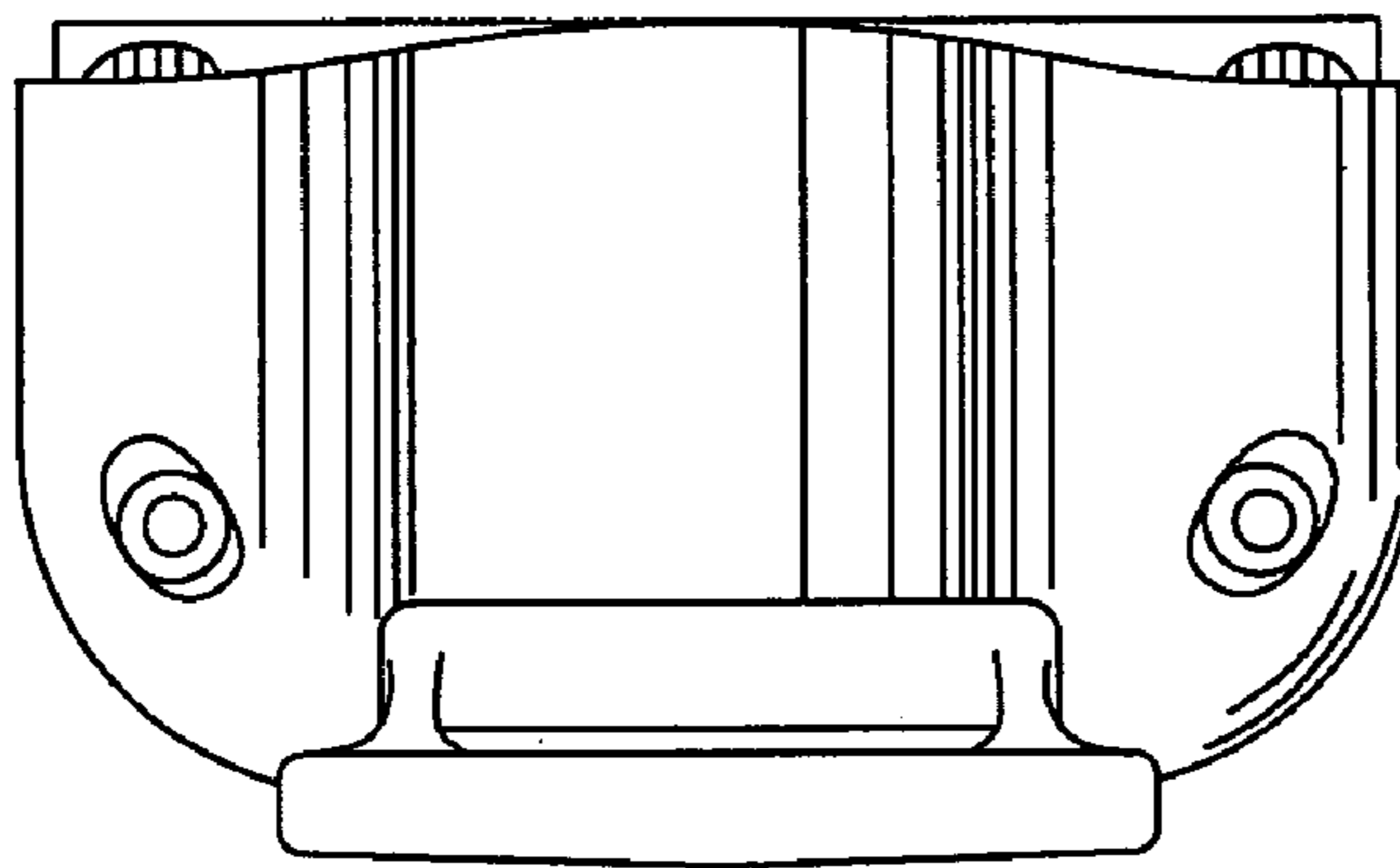


FIG. 1

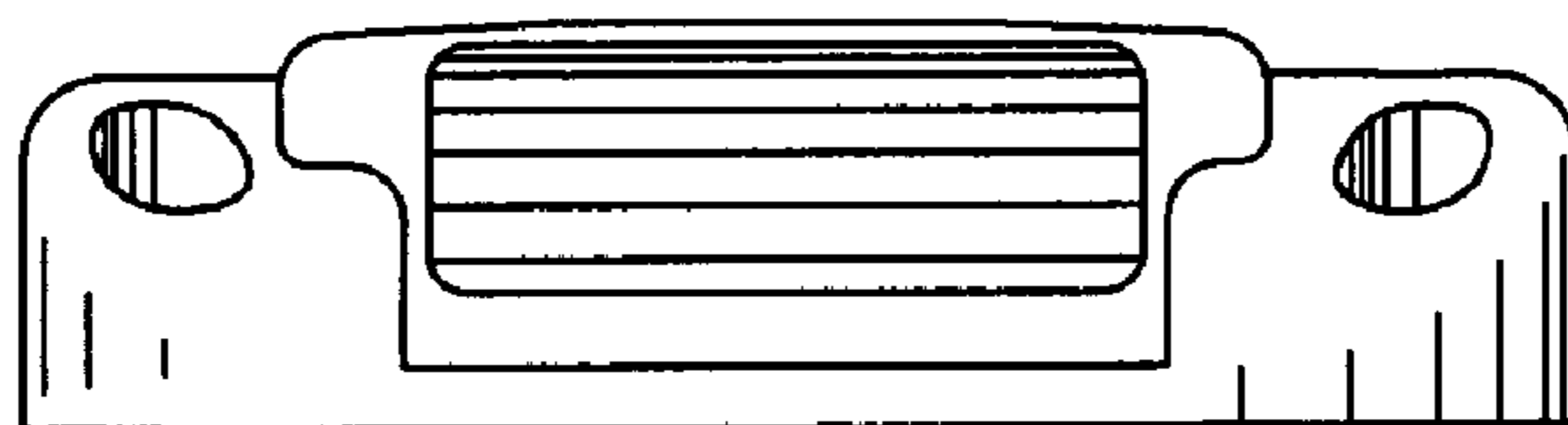


FIG. 3

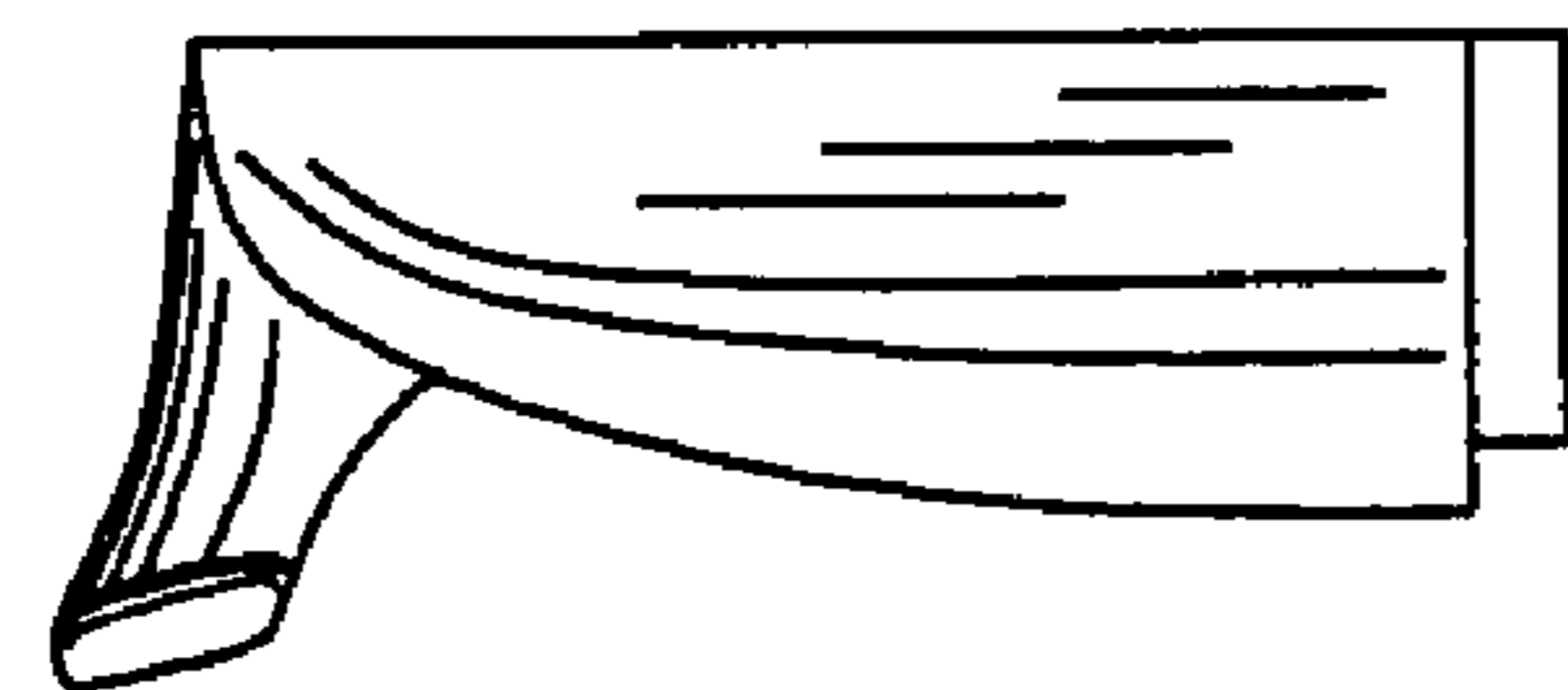


FIG. 5

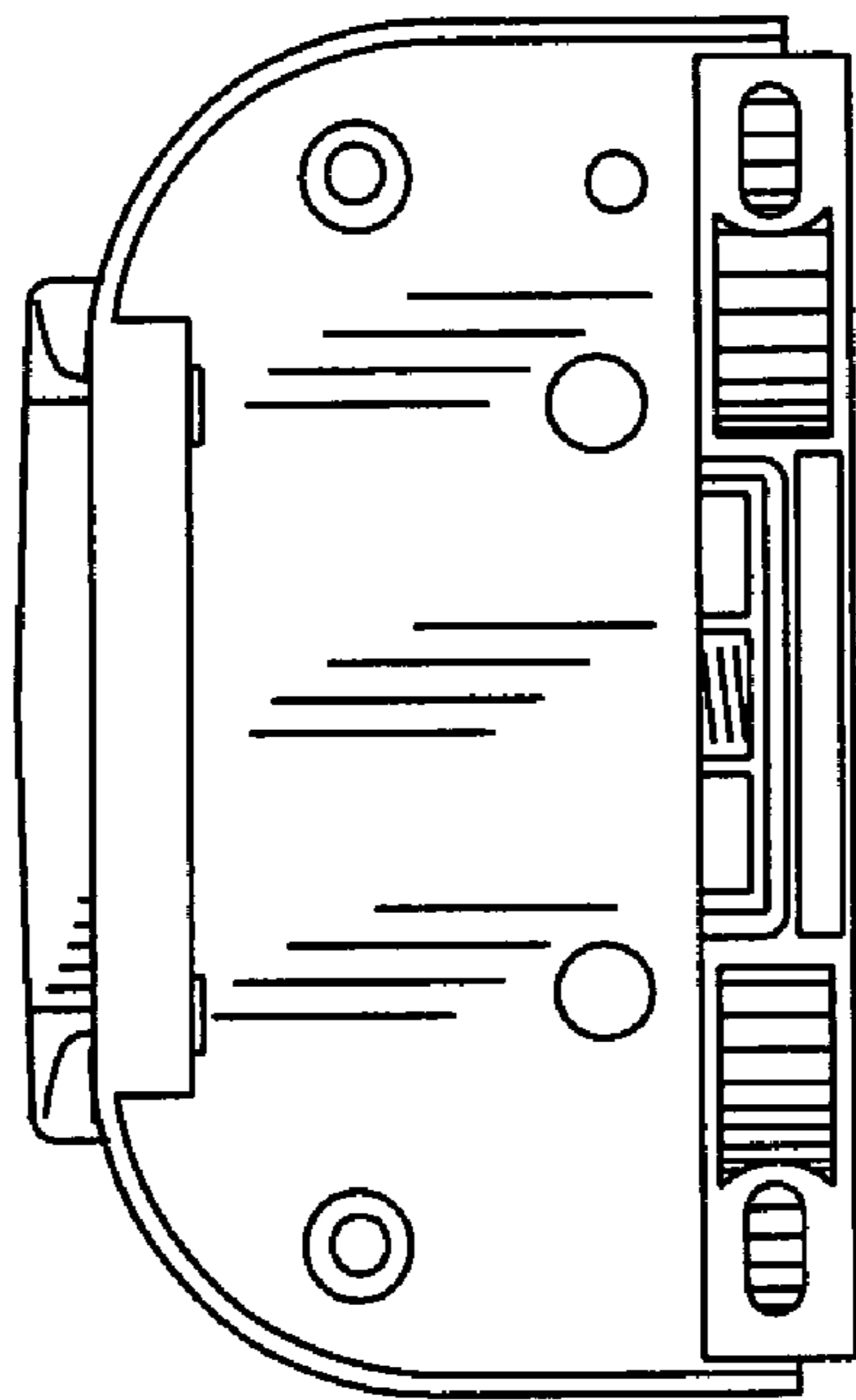


FIG. 4



FIG. 6

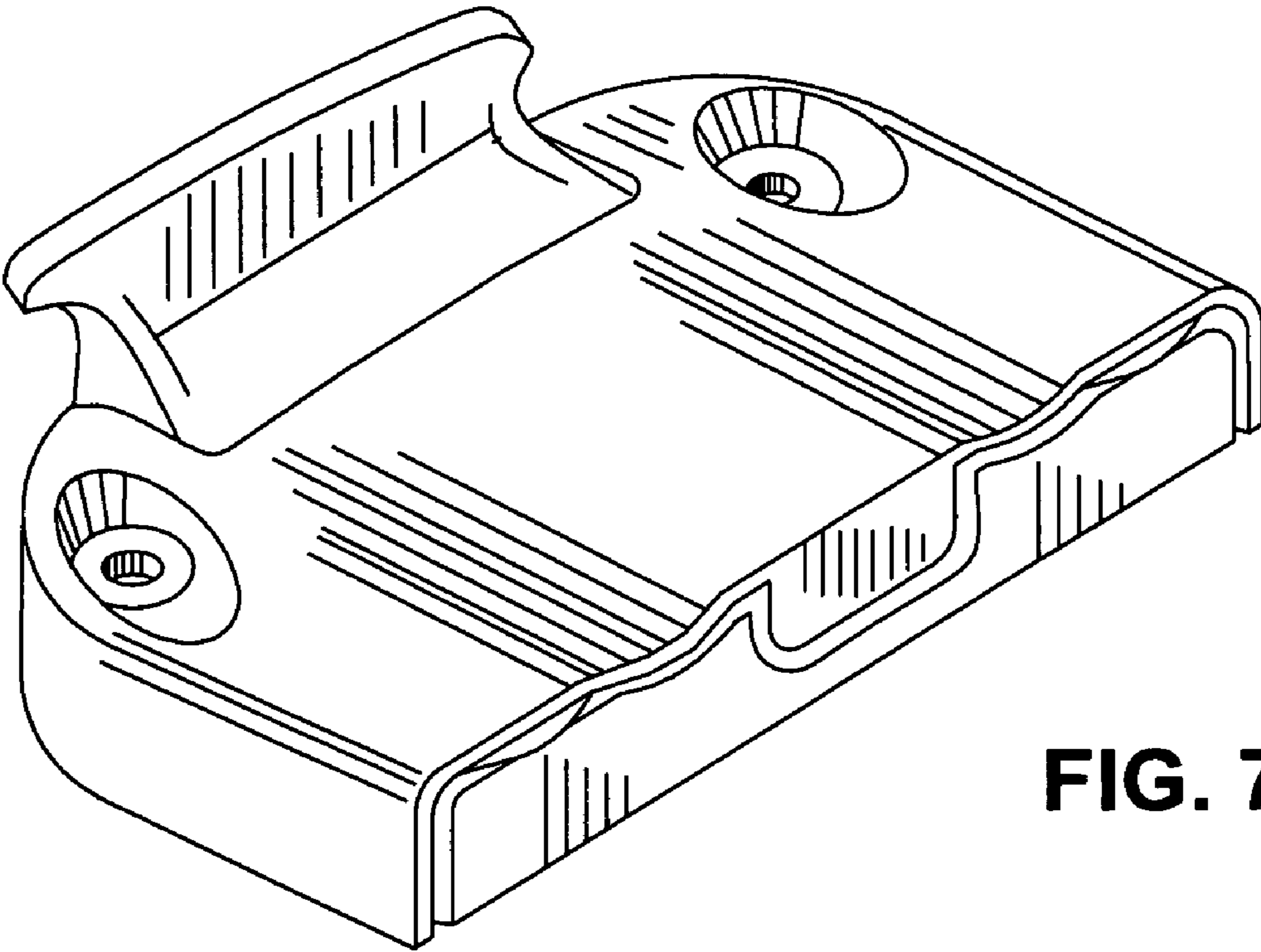


FIG. 7

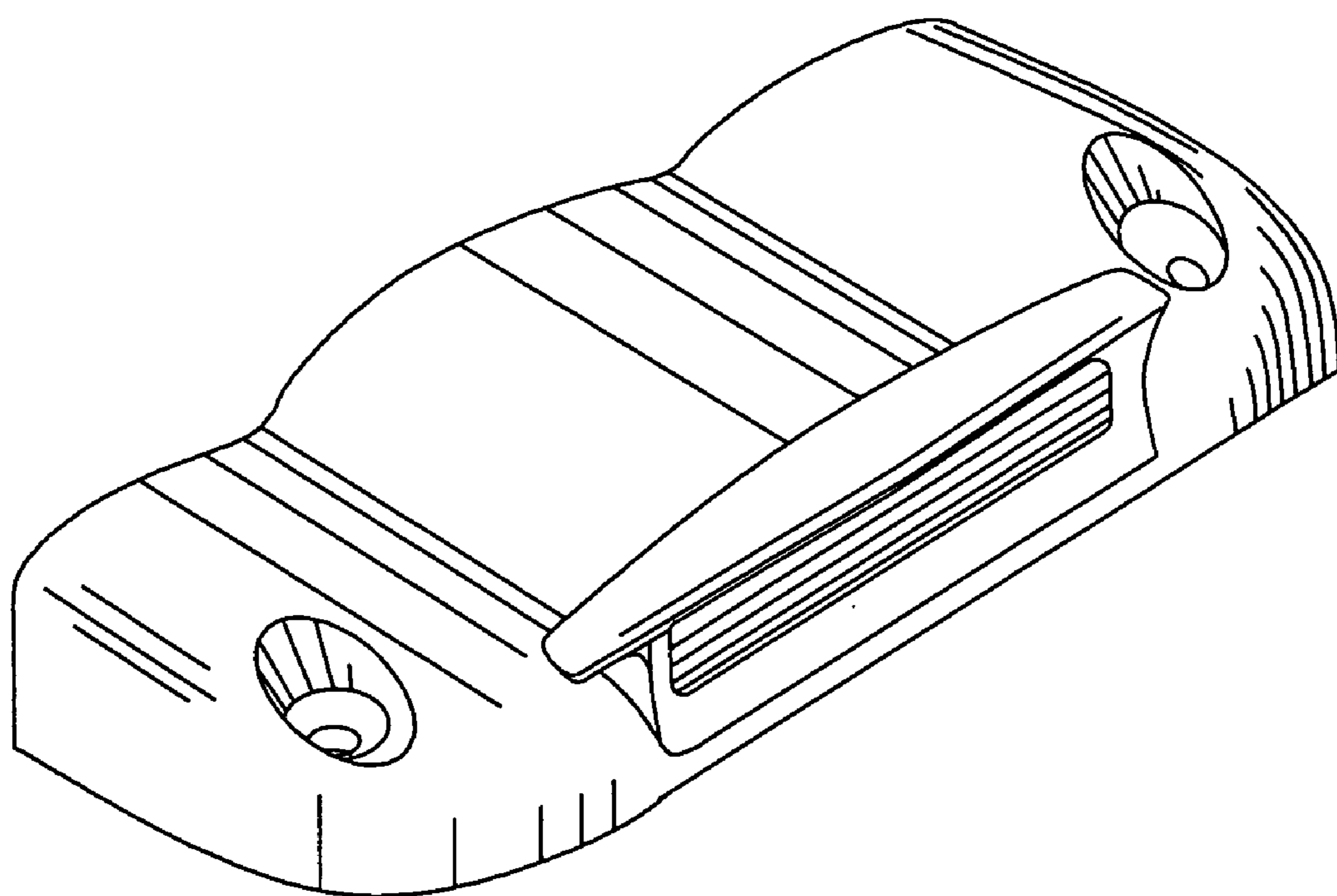


FIG. 8

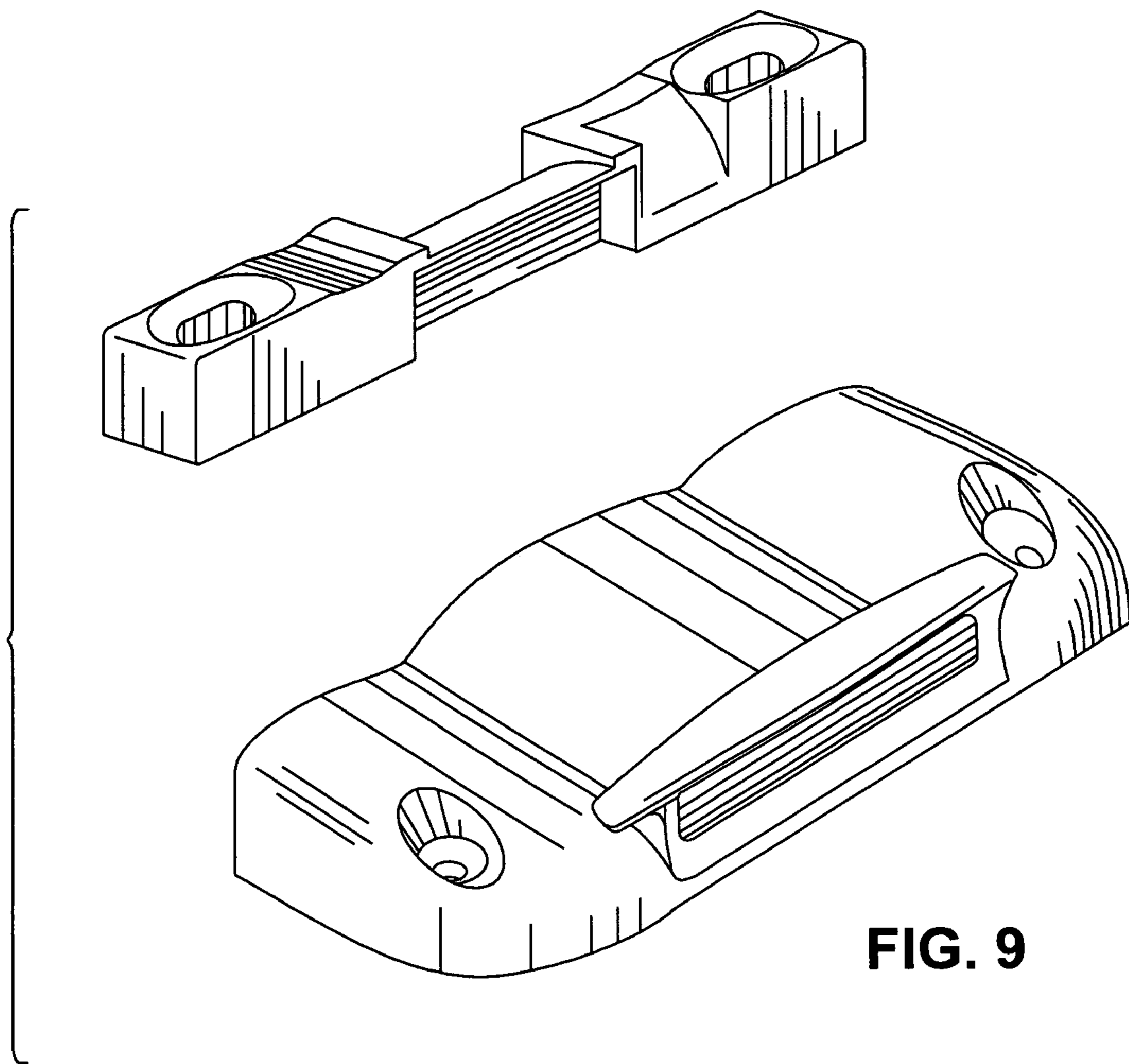
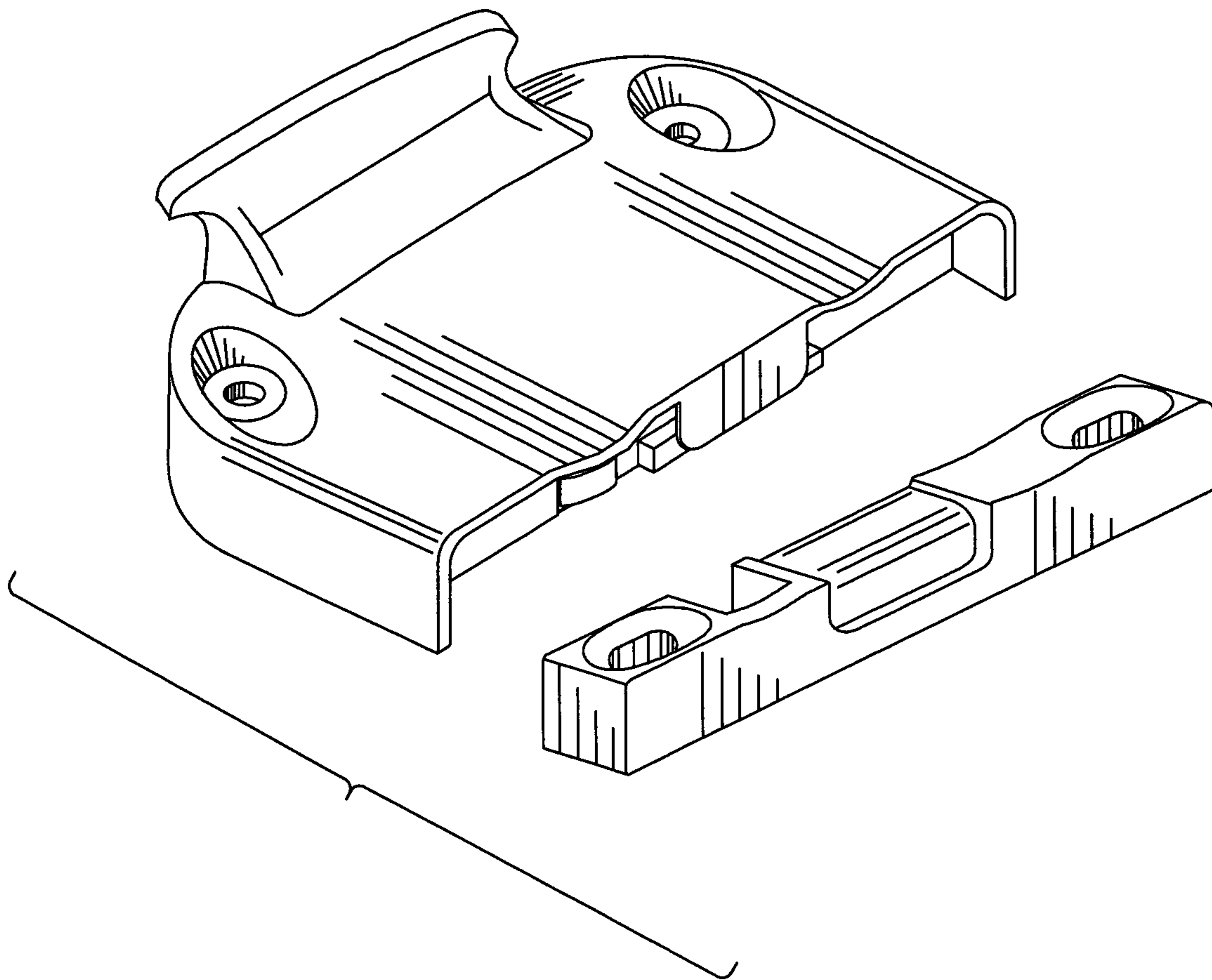
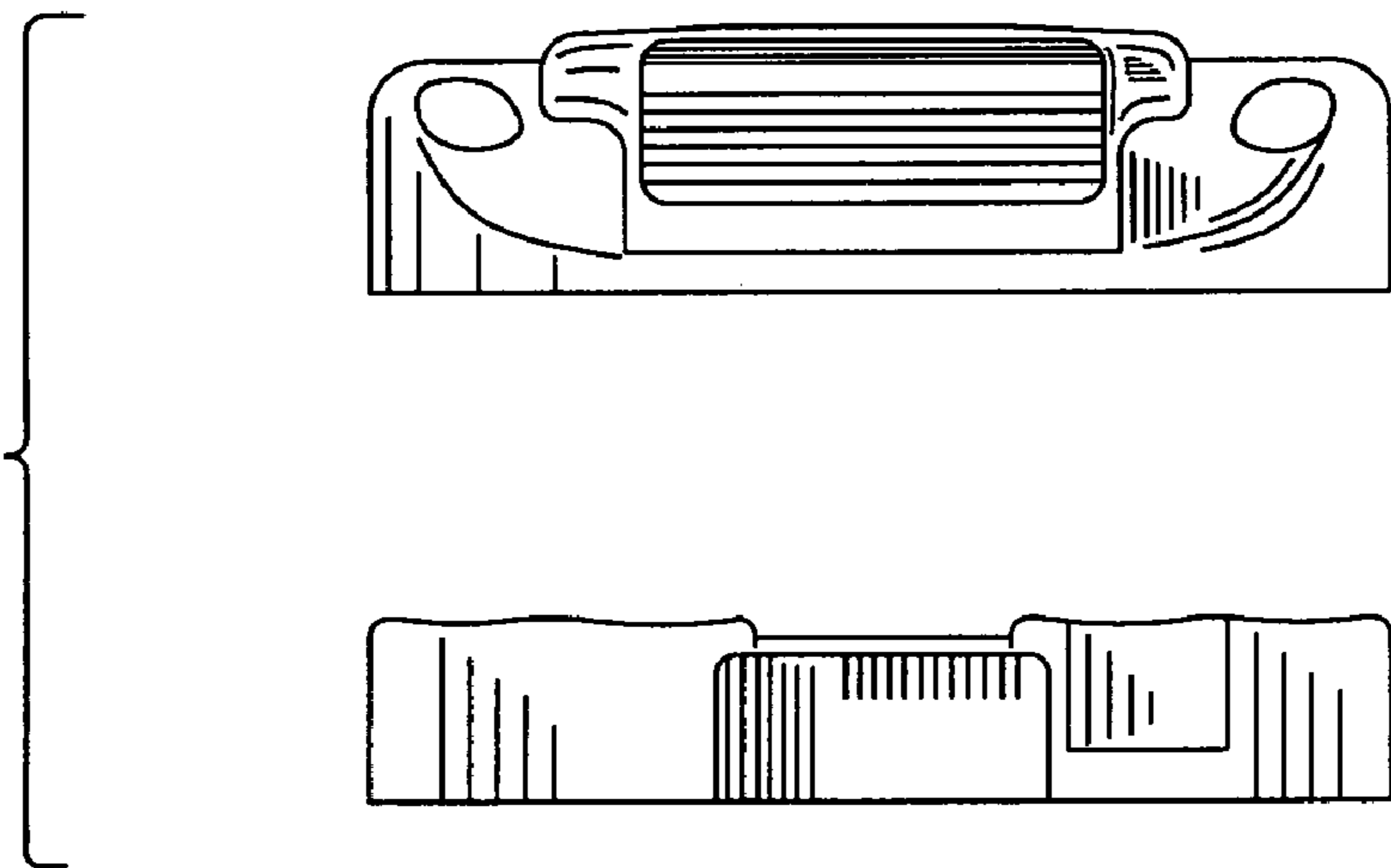
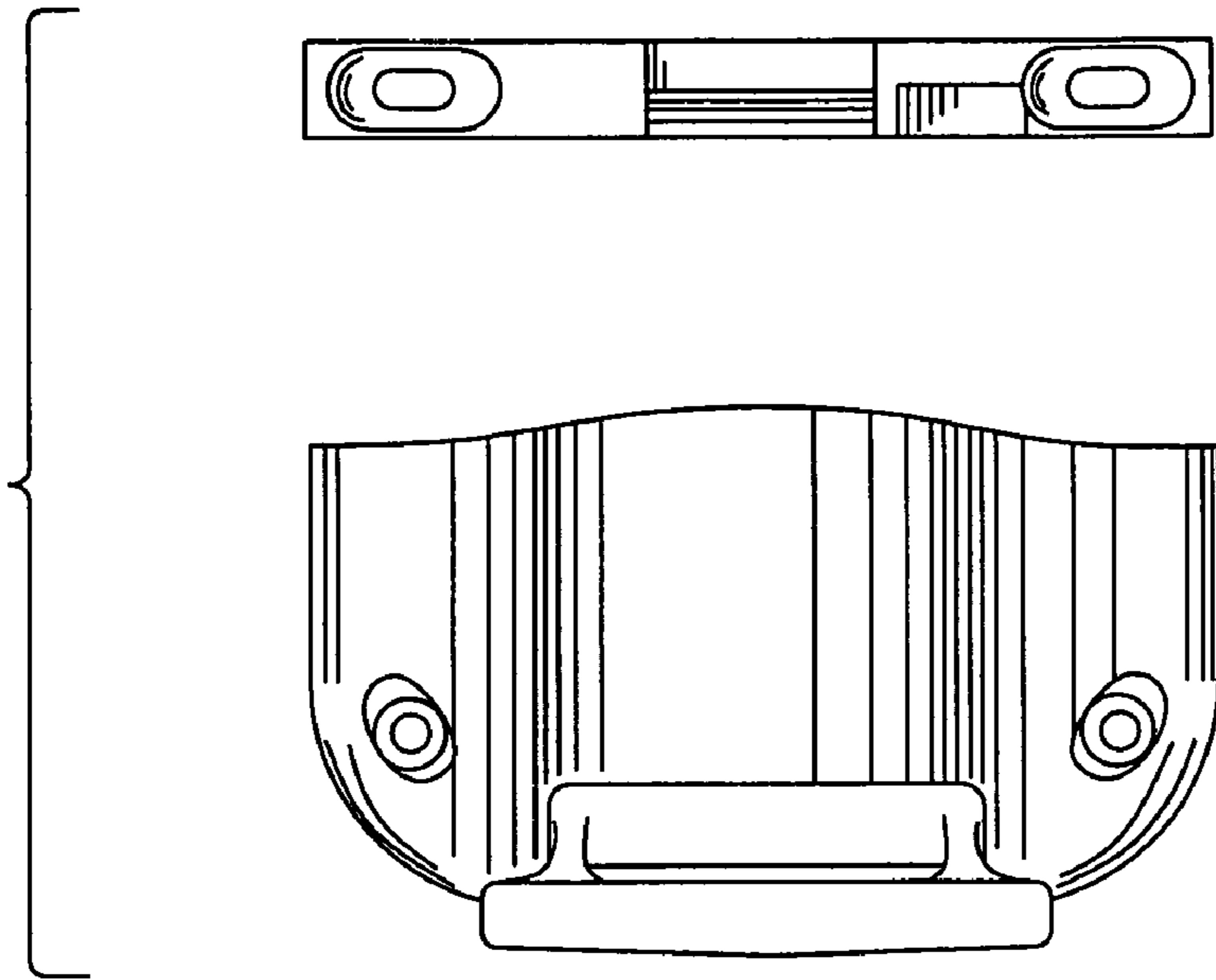


FIG. 9

FIG. 10





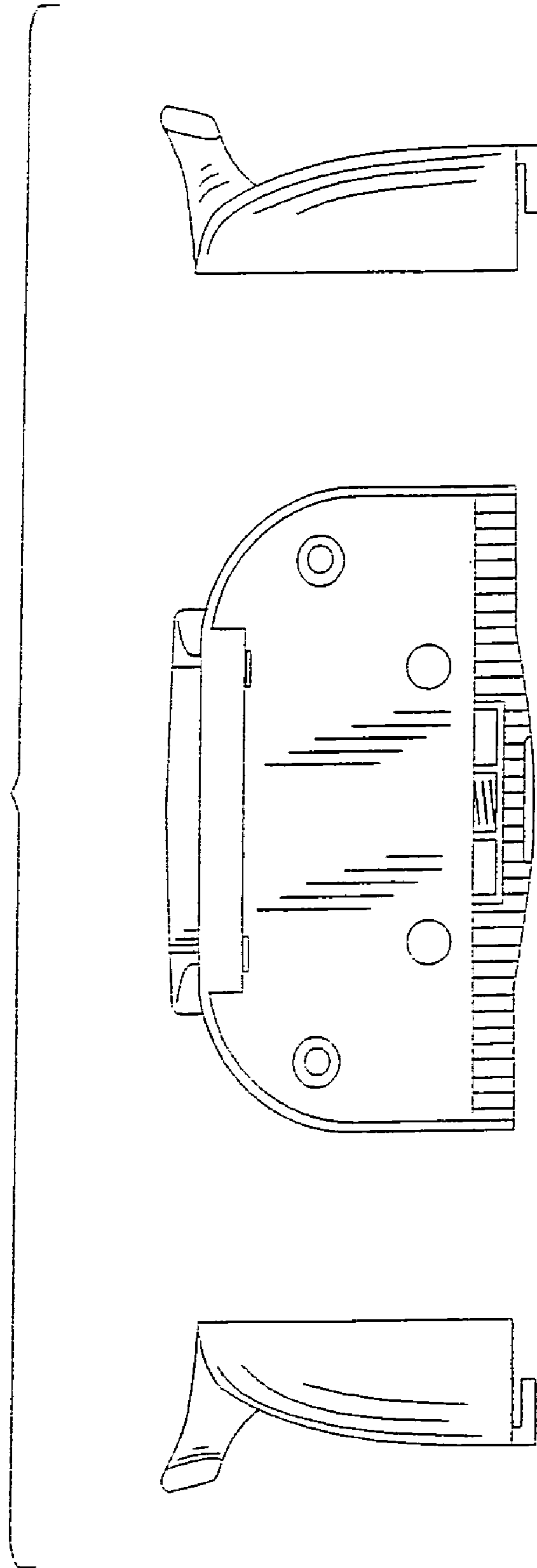


FIG. 15

FIG 13

FIG. 14