



US00D571634S

(12) **United States Design Patent**
Antkowiak et al.

(10) **Patent No.:** **US D571,634 S**
(45) **Date of Patent:** **** Jun. 24, 2008**

(54) **GATE LATCH**

(75) Inventors: **Margaret Antkowiak**, Dee Why (AU);
Irek Karcz, Cromer (AU)

(73) Assignee: **D & D Group Pty Ltd** (AU)

(**) Term: **14 Years**

(21) Appl. No.: **29/248,083**

(22) Filed: **Jul. 27, 2006**

(30) **Foreign Application Priority Data**

Jan. 31, 2006 (AU) 10315/06
Jan. 31, 2006 (AU) 10316/06

(51) **LOC (8) Cl.** **08-07**

(52) **U.S. Cl.** **D8/331**

(58) **Field of Classification Search** D8/330-348;
292/109-113, 121-122, 194, 217, 235-236,
292/125, DIG. 25, 336, 228; 70/137, 139,
70/101, 190

See application file for complete search history.

(56) **References Cited**

U.S. PATENT DOCUMENTS

5,358,292 A * 10/1994 Van Wiebe et al. 292/235

D396,794 S * 8/1998 Francom D8/336
6,058,747 A * 5/2000 Doyle et al. 70/137
D439,497 S * 3/2001 Clark et al. D8/331
D452,641 S * 1/2002 Portenier D8/341
6,347,819 B1 * 2/2002 Plaxco 292/336
6,513,351 B2 * 2/2003 Clark 70/101

* cited by examiner

Primary Examiner—Mitchell I Siegel

(74) *Attorney, Agent, or Firm*—Kelly Lowry & Kelley LLP

(57) **CLAIM**

The ornamental design for a gate latch, as shown.

DESCRIPTION

FIG. 1 is a front perspective view.

FIG. 2 is a back perspective view.

FIG. 3 is a front view.

FIG. 4 is a side view.

FIG. 5 is a side view.

FIG. 6 is a back view.

FIG. 7 is a top view; and,

FIG. 8 is a bottom view.

1 Claim, 8 Drawing Sheets





FIGURE 1

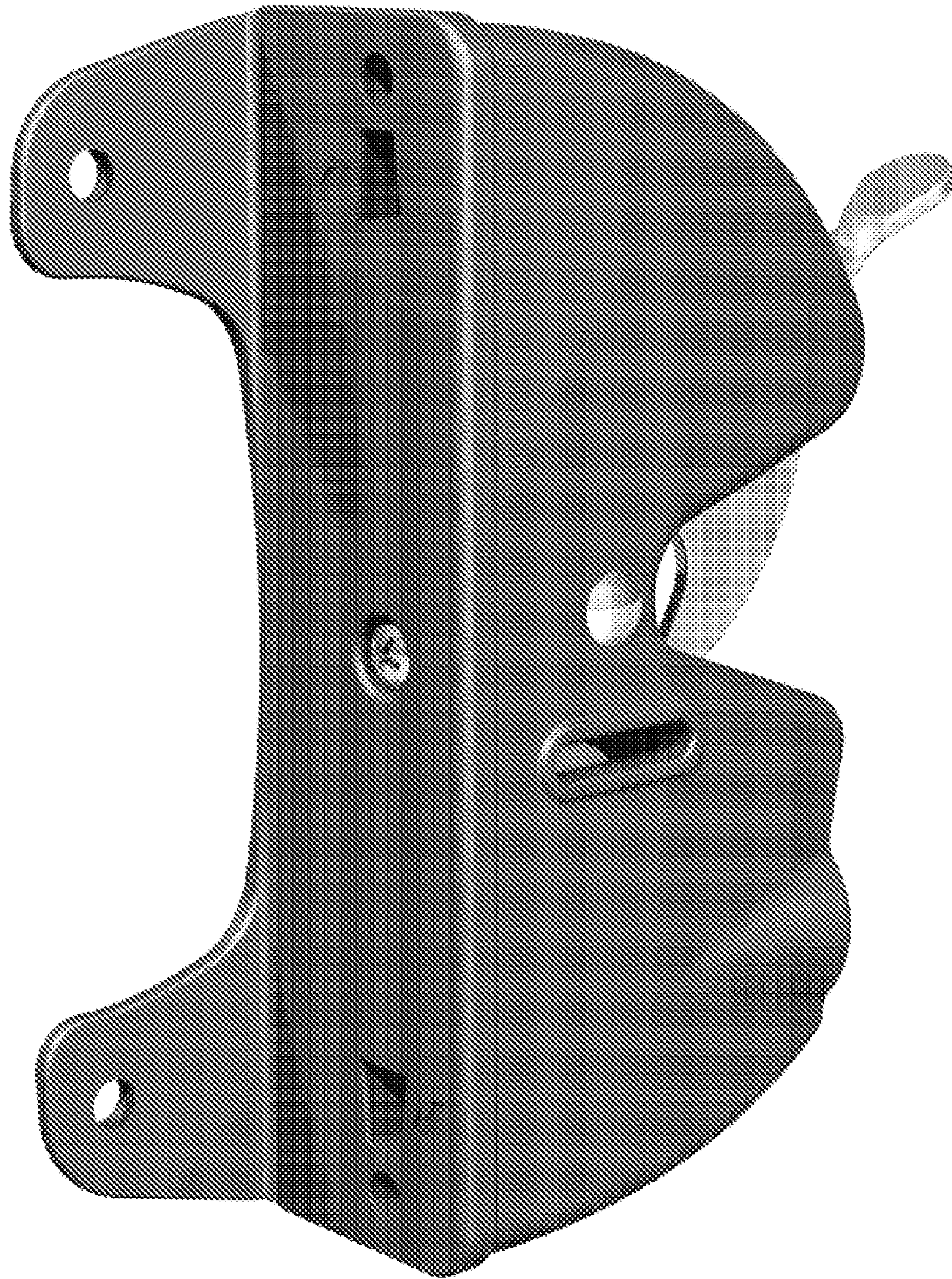


FIGURE 2

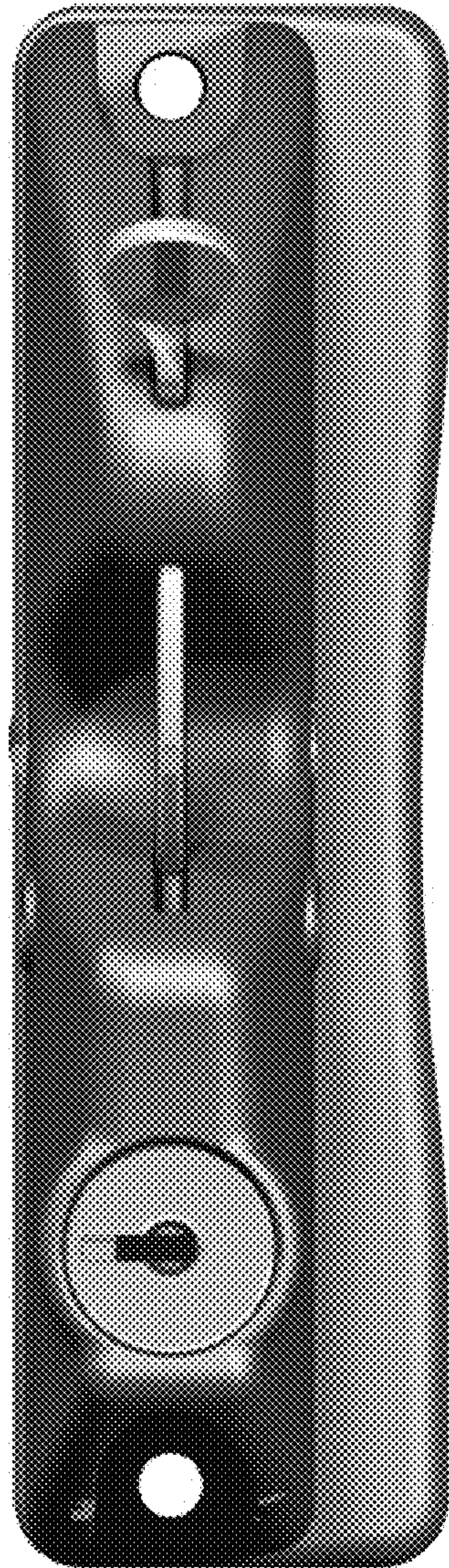


FIGURE 3

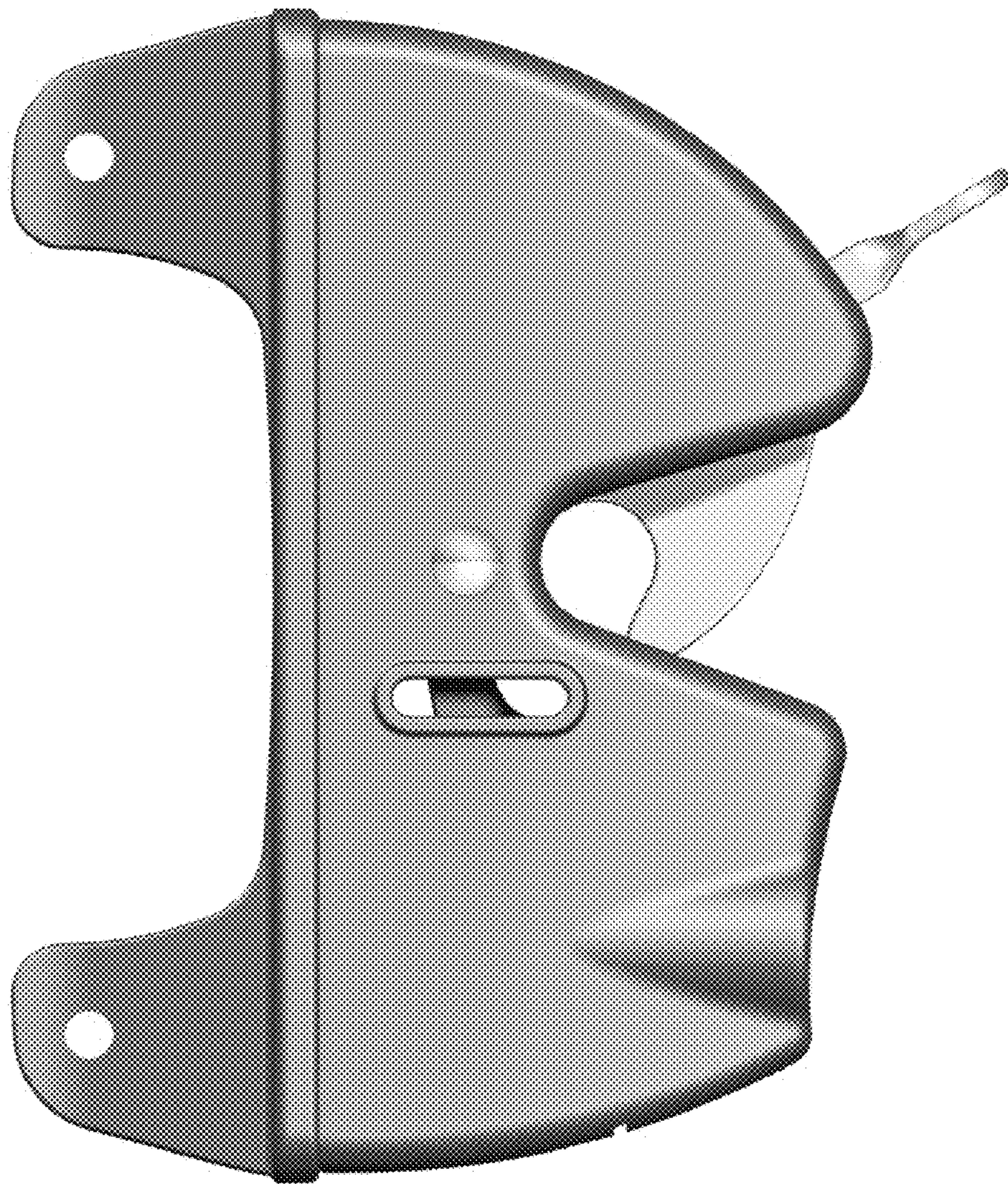


FIGURE 4

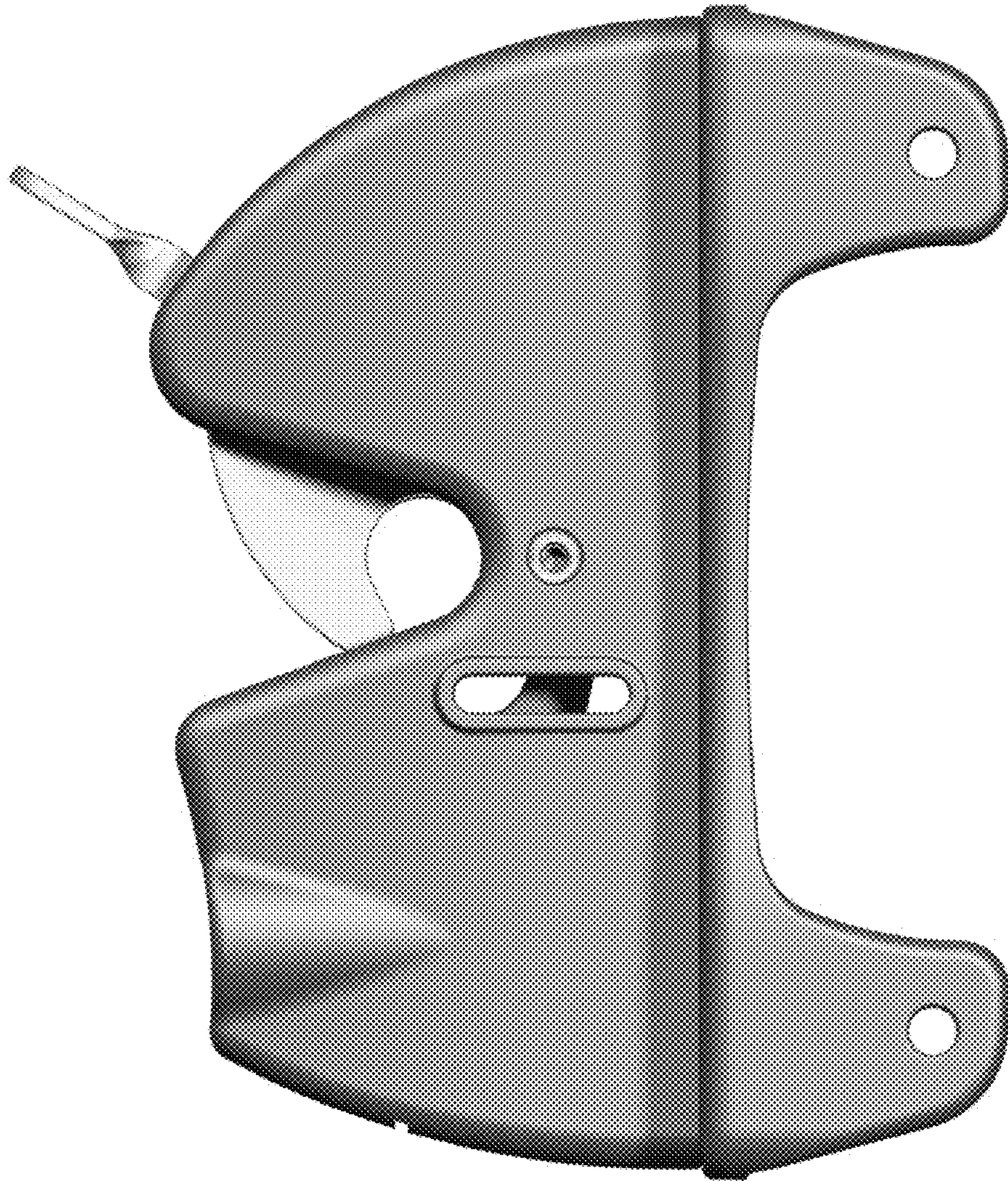


FIGURE 5

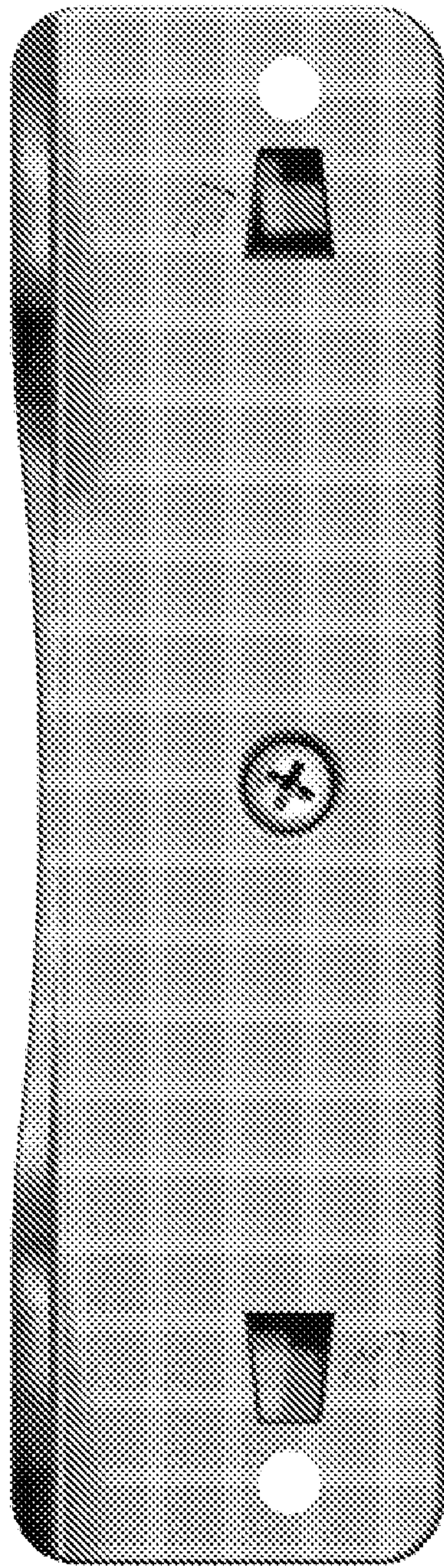


FIGURE 6

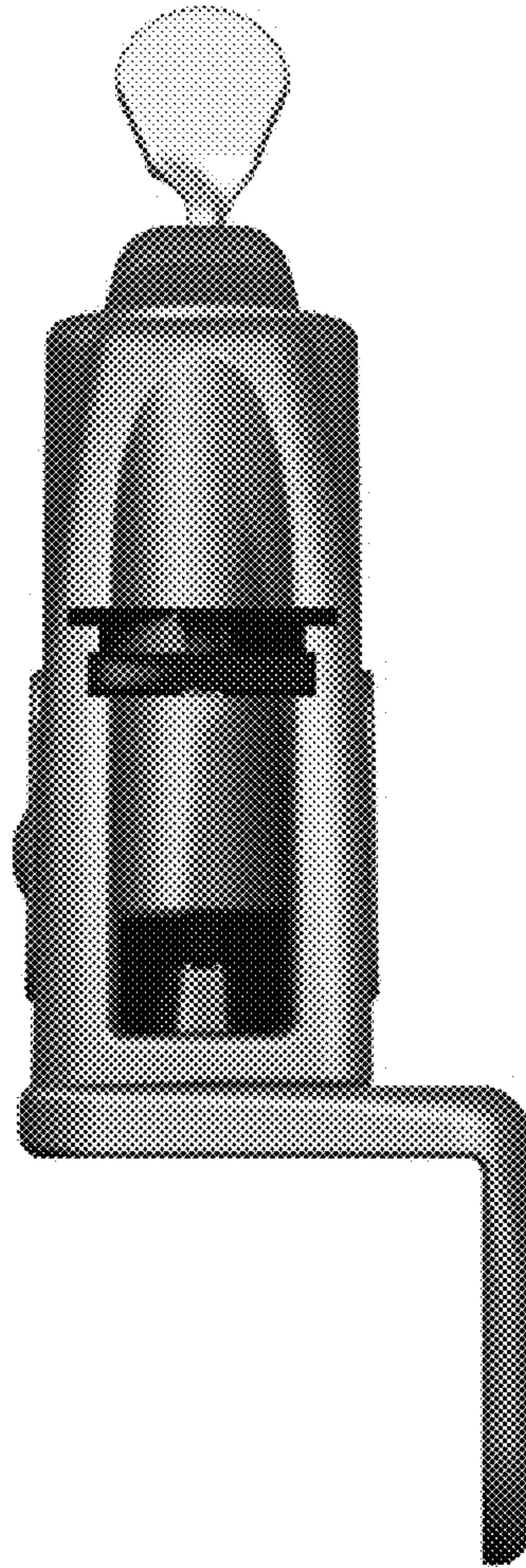


FIGURE 7

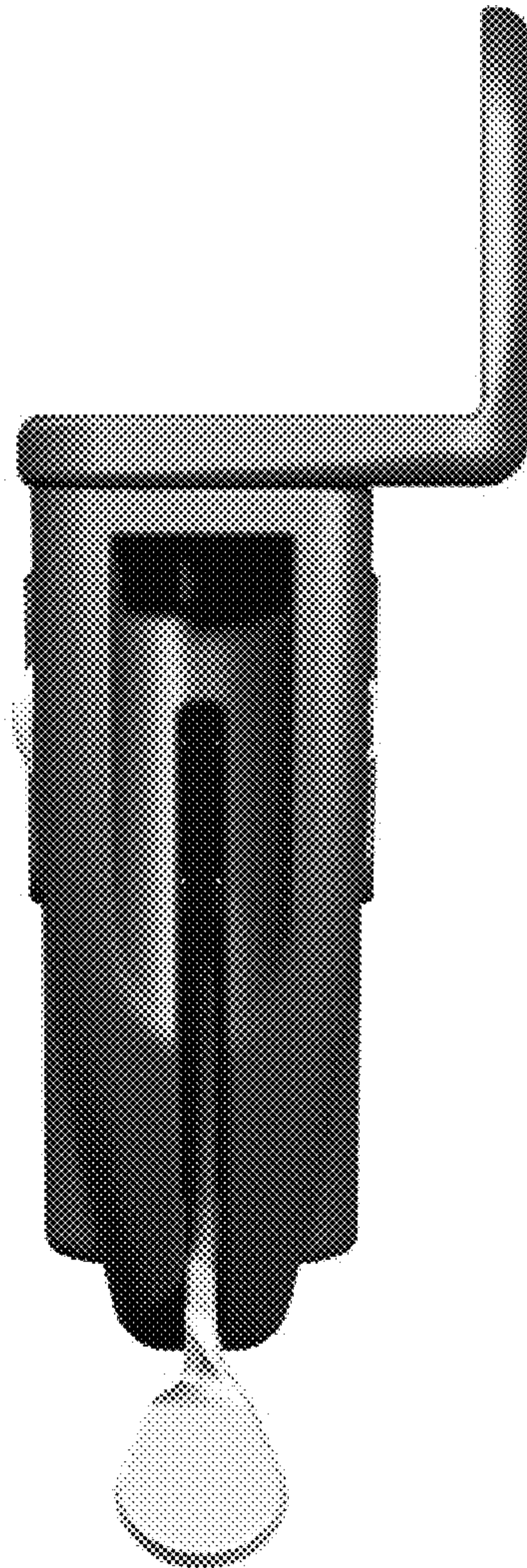


FIGURE 8