



US00D571630S

(12) **United States Design Patent**
Smith

(10) **Patent No.:** **US D571,630 S**

(45) **Date of Patent:** **** Jun. 24, 2008**

(54) **STAPLER**

D394,591 S * 5/1998 Jacquet D8/50
D466,774 S * 12/2002 Lee D8/50
D517,883 S * 3/2006 Tsai D8/50

(75) Inventor: **Robert S. Smith**, Bend, OR (US)

* cited by examiner

(73) Assignee: **TSI Manufacturing, LLC**, Bend, OR (US)

Primary Examiner—Cathron Brooks

Assistant Examiner—Austin Murphy

(**) Term: **14 Years**

(74) *Attorney, Agent, or Firm*—Chernoff, Vilhauer, McClung & Stenzel, LLP

(21) Appl. No.: **29/294,748**

(22) Filed: **Jan. 24, 2008**

(57) **CLAIM**

(51) **LOC (8) Cl.** **19-02**

I claim the ornamental design for a stapler, as shown and described.

(52) **U.S. Cl.** **D8/50**

(58) **Field of Classification Search** D8/49,
D8/50, 61, 68, 69; D19/72, 73, 65, 69; D21/532;
D24/145; 7/158, 160; 227/4, 5, 6, 7, 8, 120,
227/127, 128, 131, 132, 134, 144, 156, 175.1;
606/139, 143, 153, 219

DESCRIPTION

FIG. 1 is a perspective view of a stapler showing my new design.

FIG. 2 is a side elevation view thereof.

FIG. 3 is a top plan view thereof.

FIG. 4 is an end elevation view of one end thereof.

FIG. 5 is an end elevation view of the other end thereof; and,

FIG. 6 is a bottom plan view thereof.

See application file for complete search history.

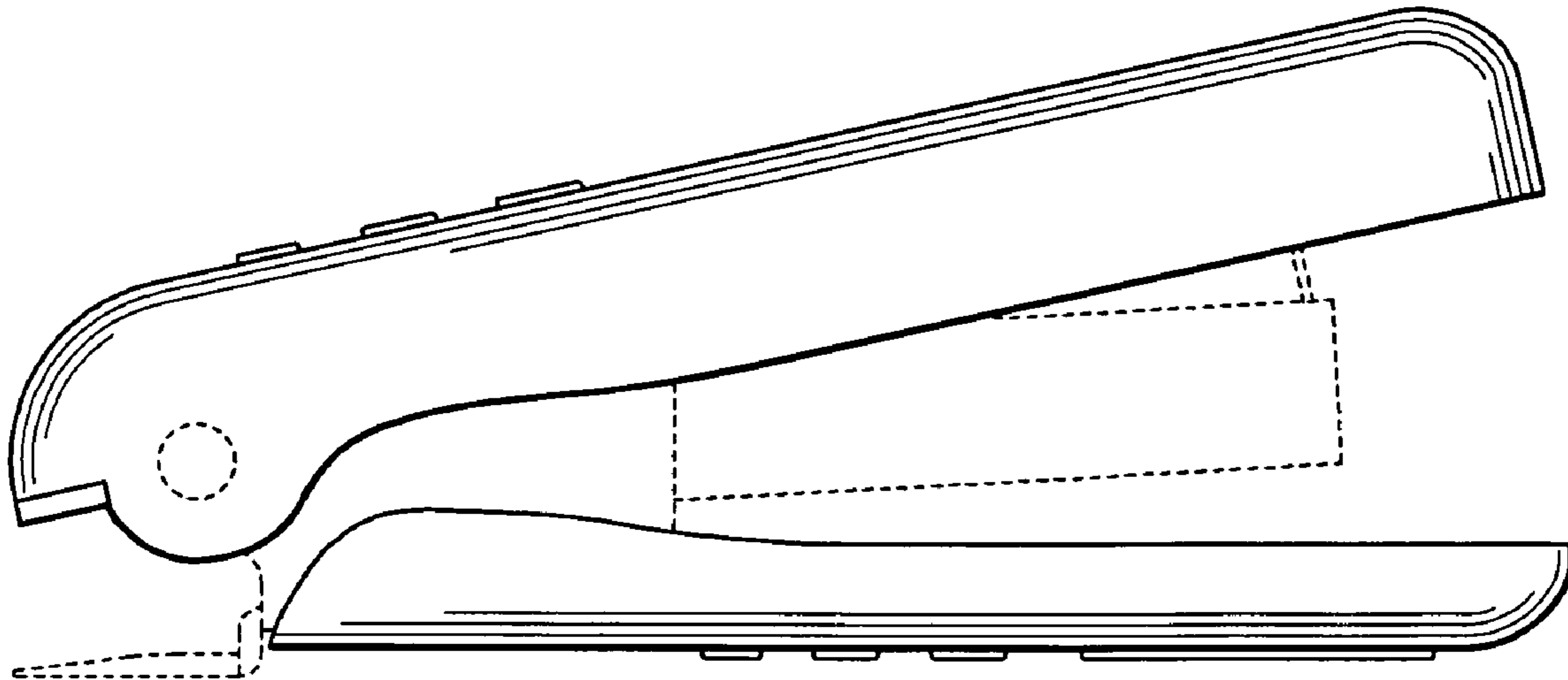
The broken line showing the remainder of the stapler is for illustration purposes only and forms no part of the claimed design.

(56) **References Cited**

U.S. PATENT DOCUMENTS

D120,898 S * 6/1940 Ruskin D8/50
D337,928 S * 8/1993 Huang D8/50
D350,678 S * 9/1994 Khan et al. D8/50
D361,025 S * 8/1995 Ho D8/50
D369,729 S * 5/1996 Herbst et al. D8/50
D369,730 S * 5/1996 Herbst et al. D8/50

1 Claim, 2 Drawing Sheets



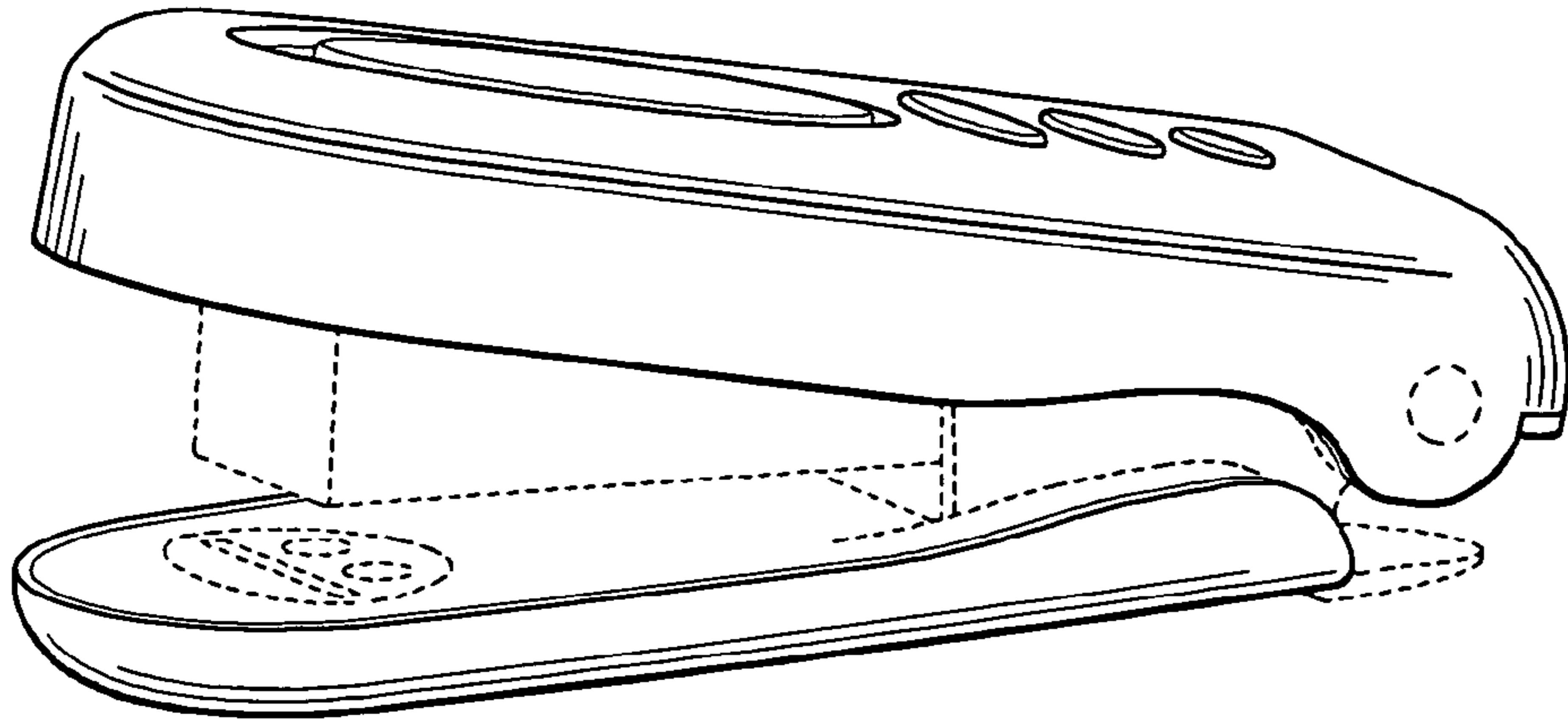


FIG.1

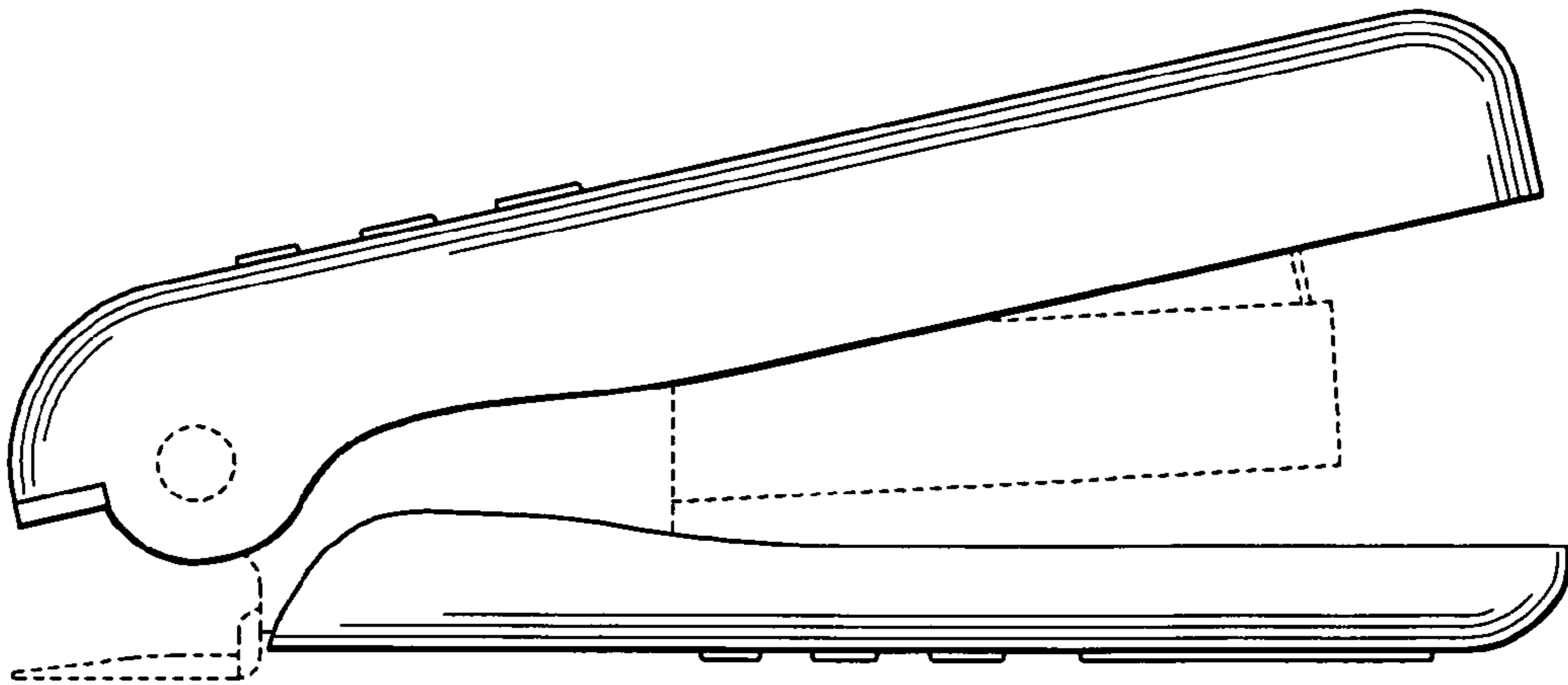


FIG.2

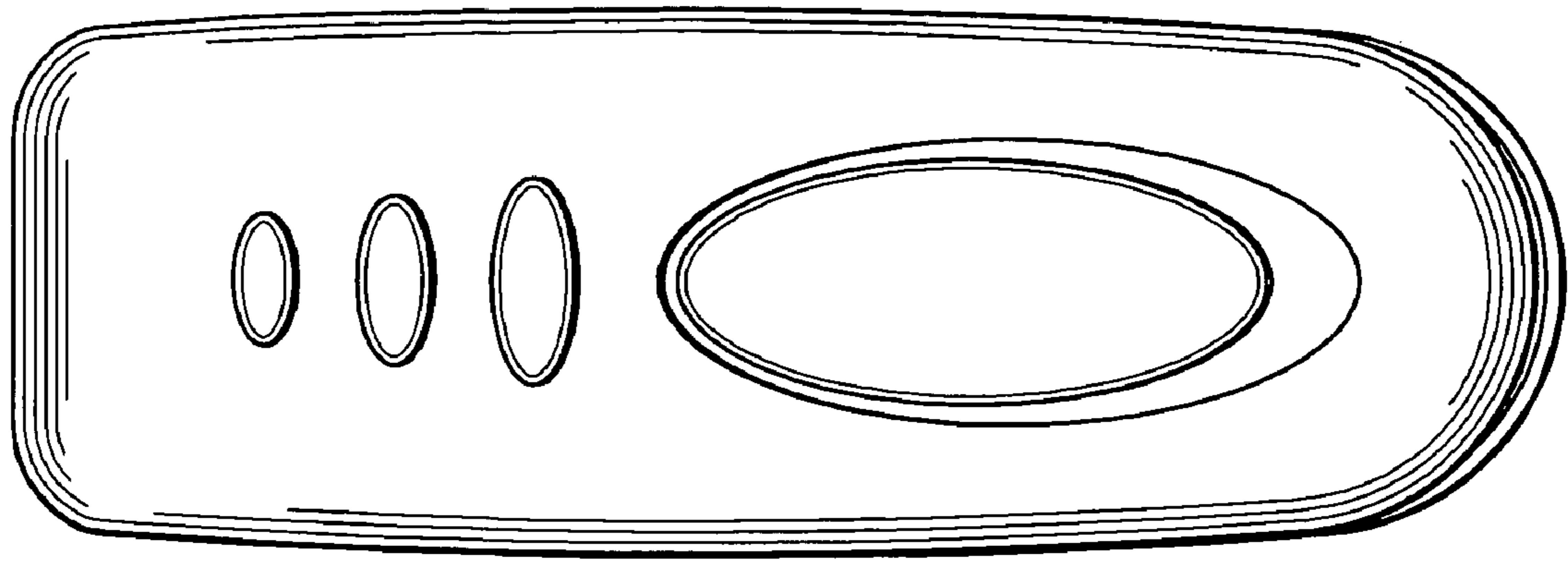


FIG.3

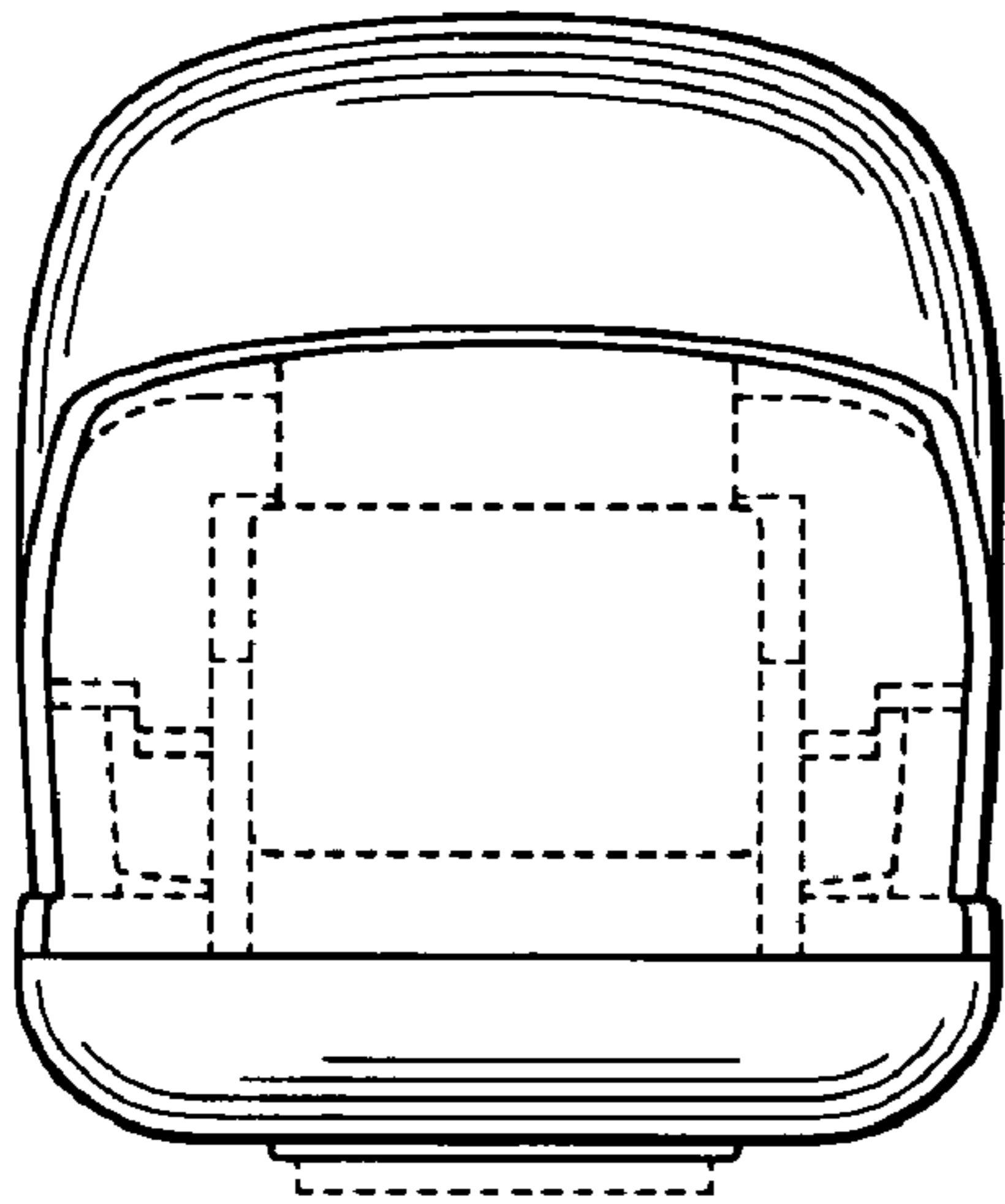


FIG.4

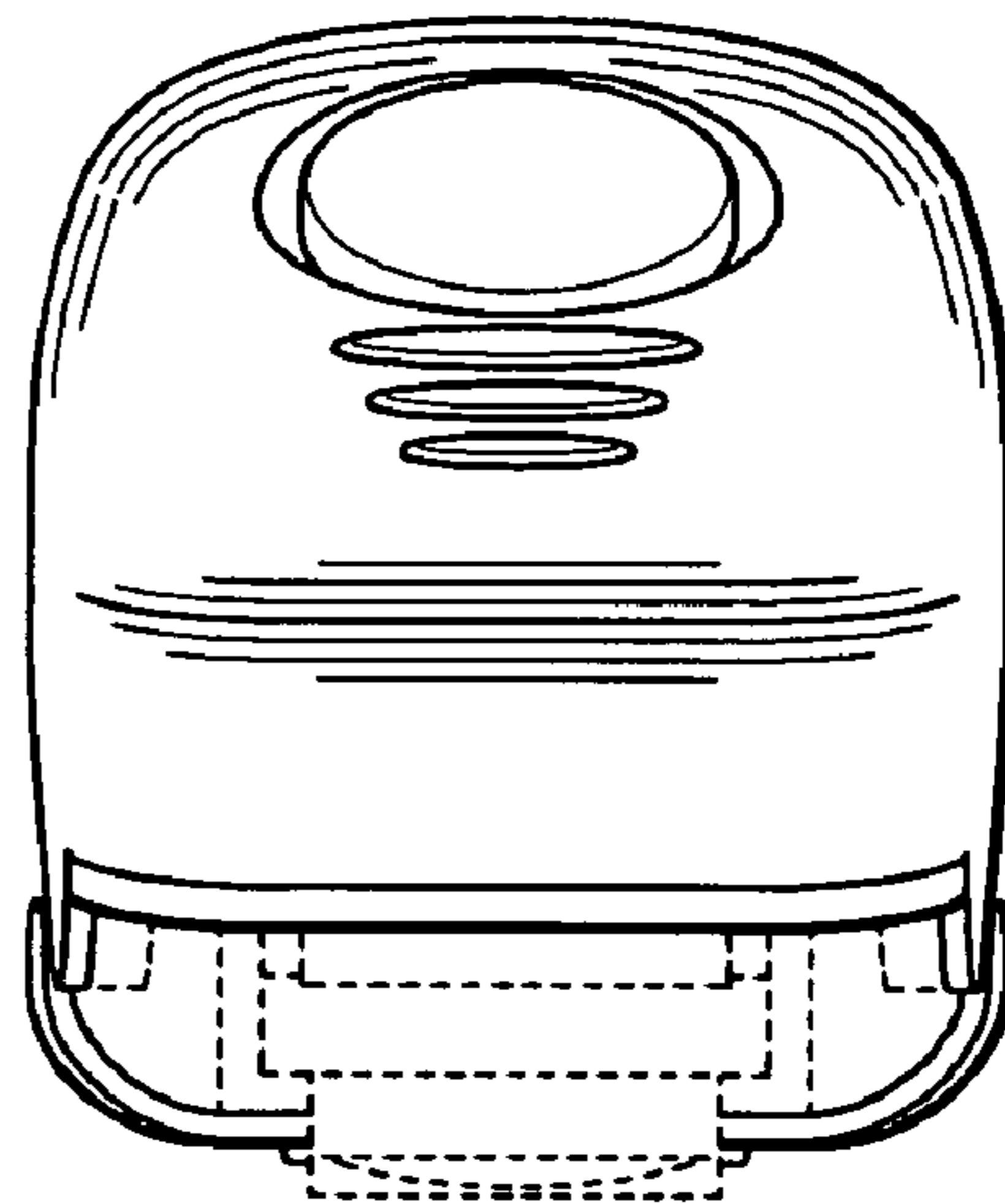


FIG.5

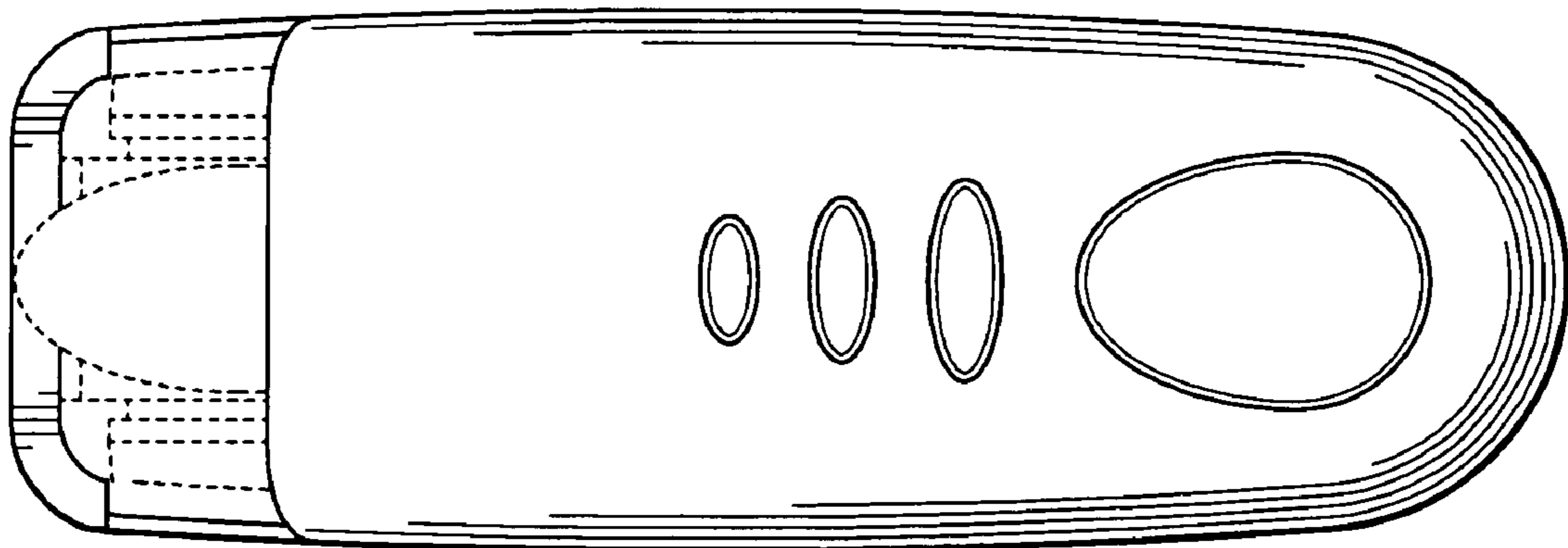


FIG.6