



US00D571629S

(12) **United States Design Patent**  
**Lown et al.**

(10) **Patent No.:** **US D571,629 S**  
(45) **Date of Patent:** **\*\* Jun. 24, 2008**

(54) **RATCHETED CORK SCREW**  
(75) Inventors: **Aaron Lown**, Tuxedo, NY (US); **John Roscoe Swartz**, Ridgewood, NY (US)  
(73) Assignee: **Built NY**, New York, NY (US)  
(\*\*) Term: **14 Years**  
(21) Appl. No.: **29/276,854**  
(22) Filed: **Feb. 7, 2007**

D511,664 S \* 11/2005 Lee ..... D8/42  
D516,009 S \* 2/2006 Kontorovich et al. .... D8/14  
D517,795 S \* 3/2006 Mival ..... D3/12  
D536,231 S \* 2/2007 Kawasaki ..... D8/98  
D556,527 S \* 12/2007 Russo et al. .... D8/14  
D558,009 S \* 12/2007 Kinskey ..... D8/25

\* cited by examiner

*Primary Examiner*—Caron D. Veynar  
*Assistant Examiner*—Garth Rademaker  
(74) *Attorney, Agent, or Firm*—Fish & Richardson, P.C.

(51) **LOC (8) Cl.** ..... **07-06**  
(52) **U.S. Cl.** ..... **D8/42**  
(58) **Field of Classification Search** ..... D3/7,  
D3/12; D8/14, 16–19, 21, 25, 33–43, 88,  
D8/105, 107; 7/113, 151–156; 30/400–410,  
30/416–430, 433, 434, 443, 450; 81/3.07,  
81/3.09, 3.2, 3.27, 3.29, 3.31, 3.33, 3.35,  
81/3.37, 3.4, 3.45, 3.48, 3.49, 3.55  
See application file for complete search history.

(57) **CLAIM**

The ornamental design for a ratcheted cork screw, as shown and described.

**DESCRIPTION**

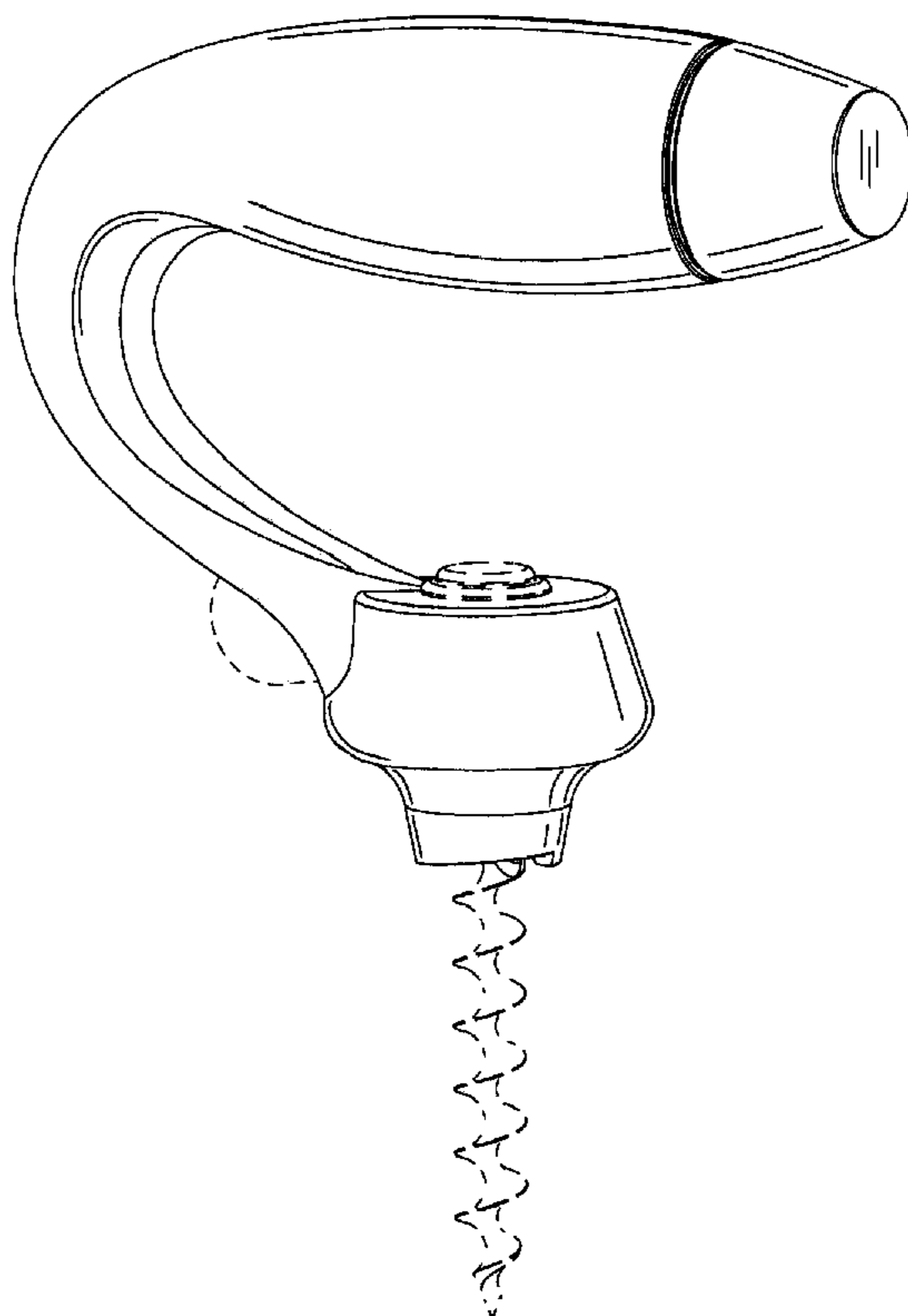
FIG. 1 is a front perspective view of a ratcheted cork screw;  
FIG. 2 is a front elevation view thereof;  
FIG. 3 is a back elevation view thereof;  
FIG. 4 is a top plan view thereof;  
FIG. 5 is a bottom plan view thereof;  
FIG. 6 is a left side elevation view thereof; and,  
FIG. 7 is a right side elevation view thereof.

The broken lines depict environmental subject matter only and form no part of the claimed design.

(56) **References Cited**  
U.S. PATENT DOCUMENTS

D276,694 S \* 12/1984 Benedict ..... D8/107  
D341,200 S \* 11/1993 Yoshimoto ..... D8/107  
D434,291 S \* 11/2000 Kim ..... D8/21  
D444,693 S \* 7/2001 Griese et al. .... D8/107  
D464,546 S \* 10/2002 Mauffette ..... D8/40  
D475,261 S \* 6/2003 Lee ..... D8/36  
D488,038 S \* 4/2004 Sach ..... D8/40

**1 Claim, 5 Drawing Sheets**



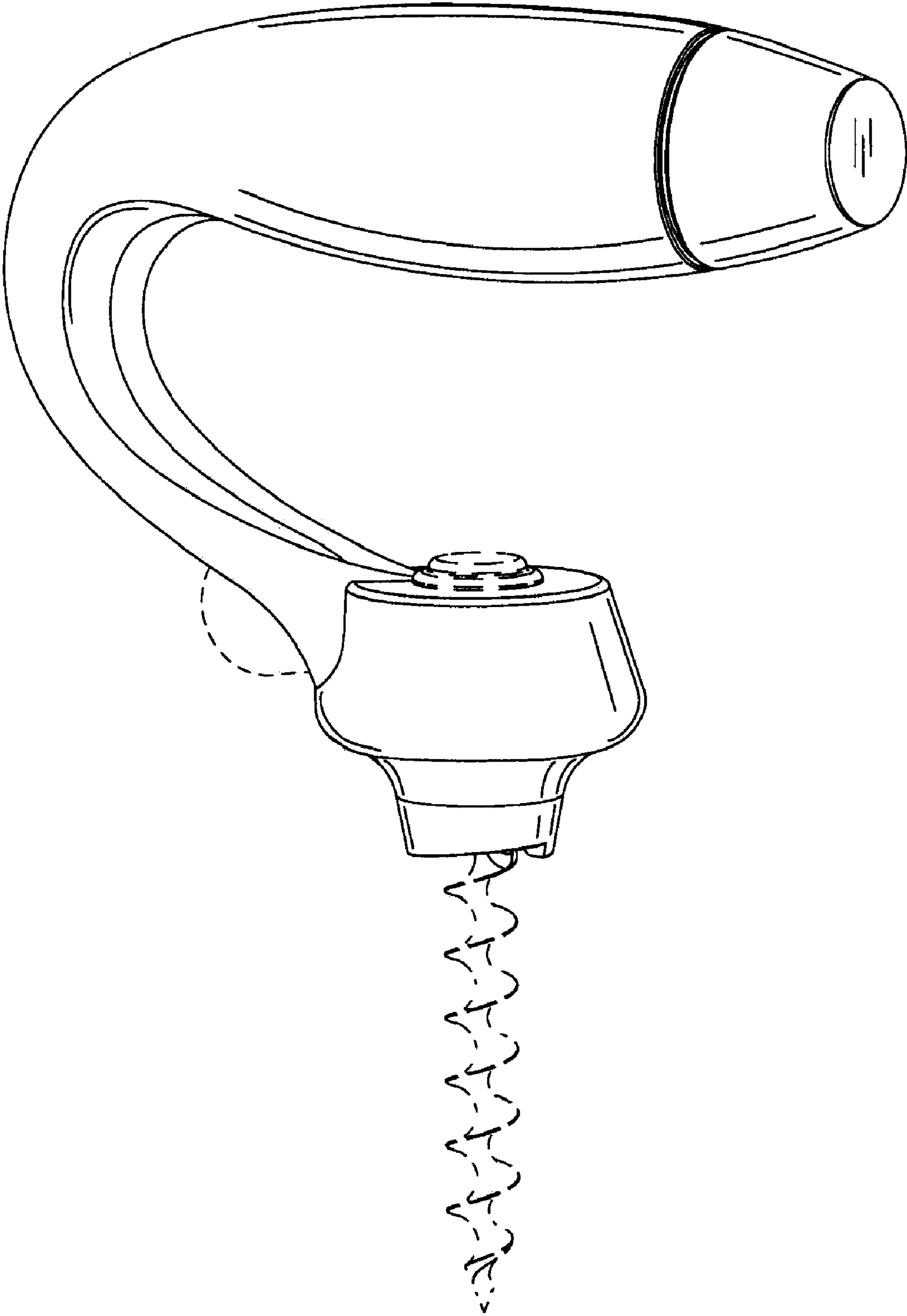


FIG. 1

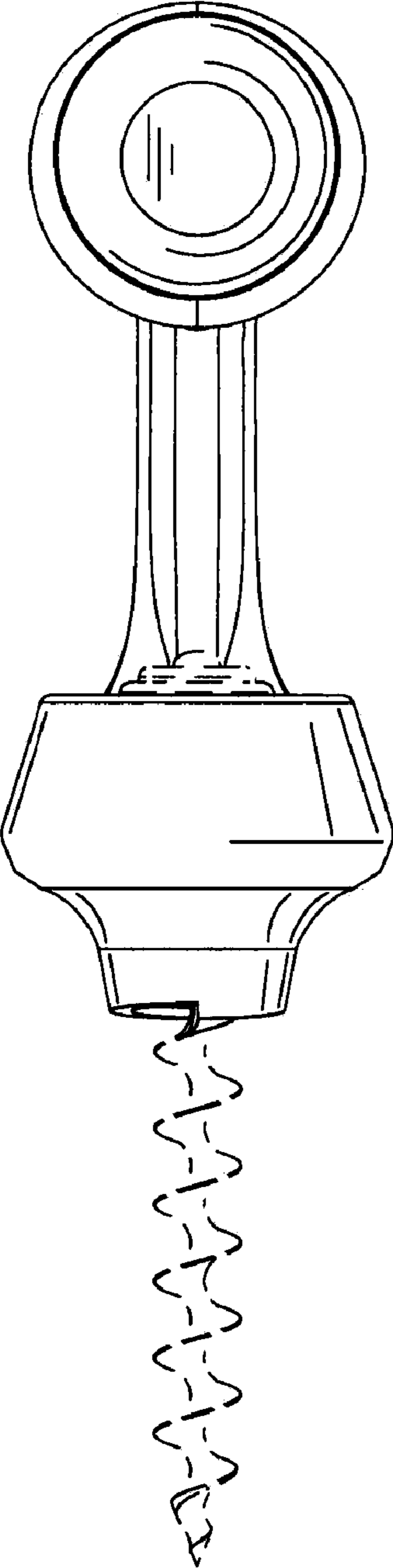


FIG. 2

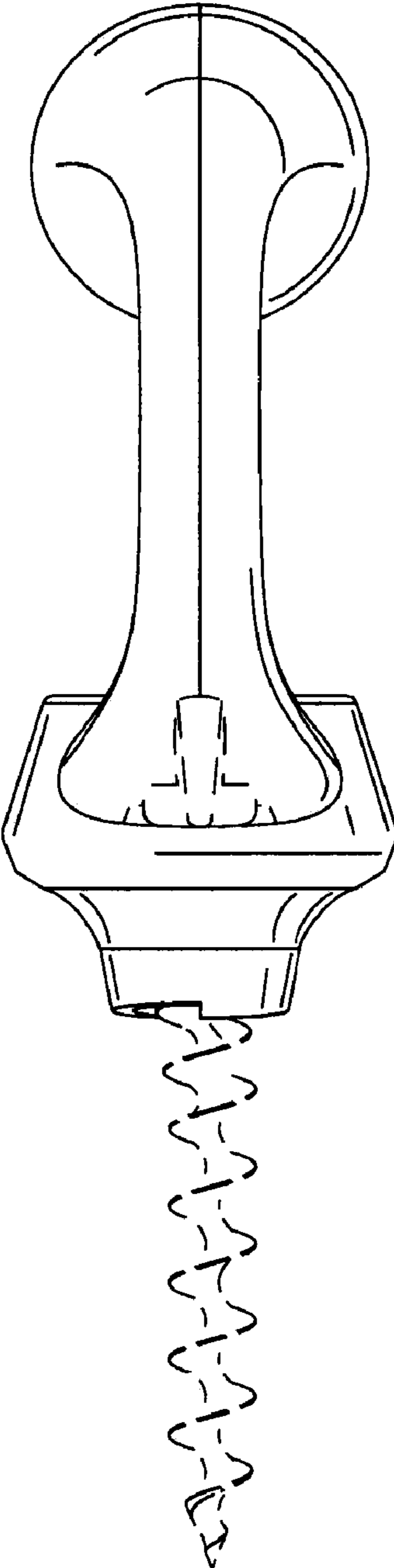


FIG. 3

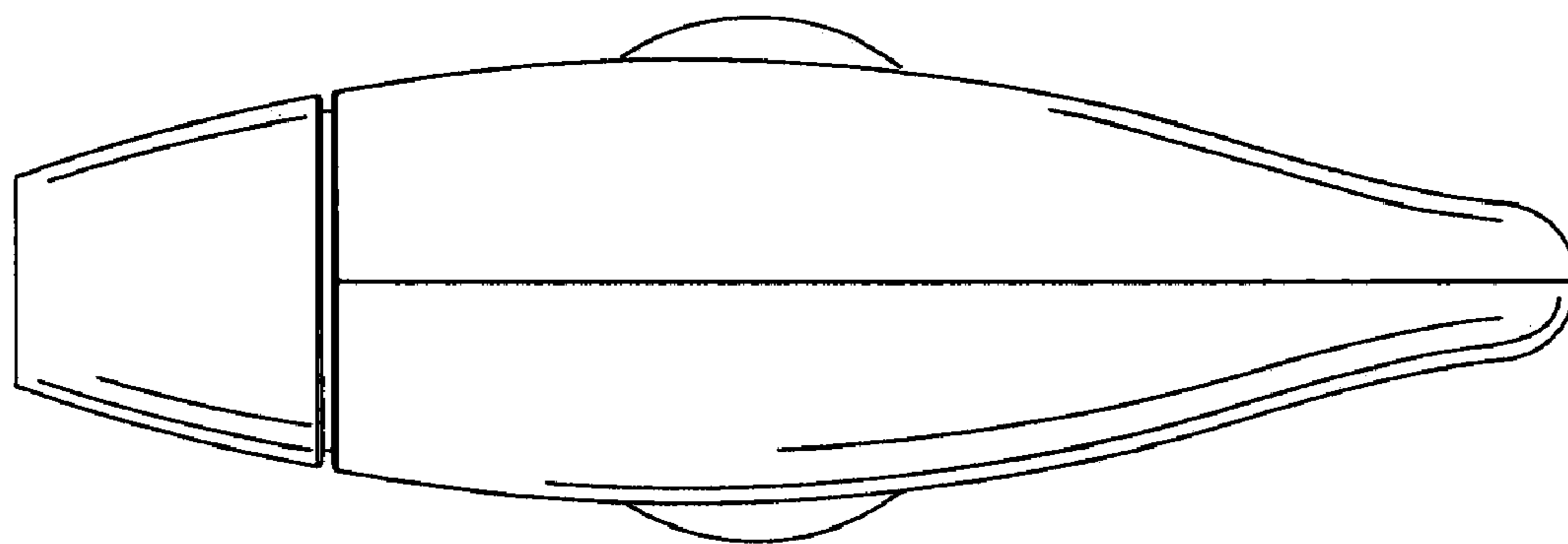


FIG. 4

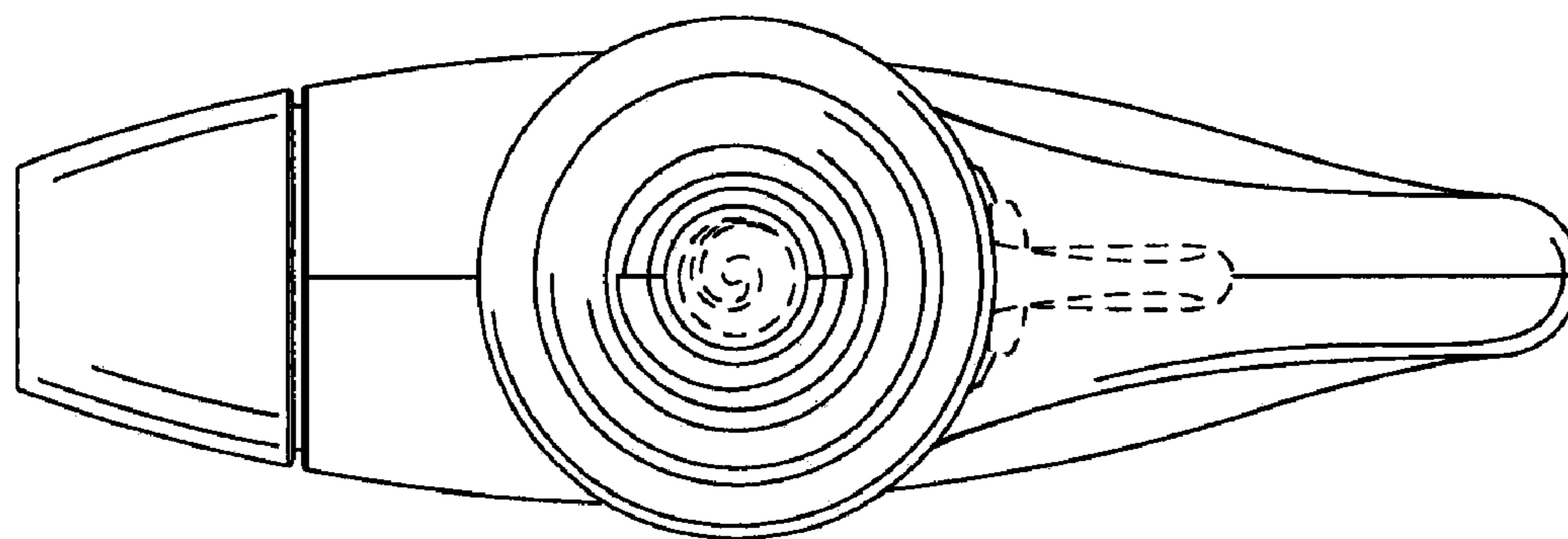


FIG. 5

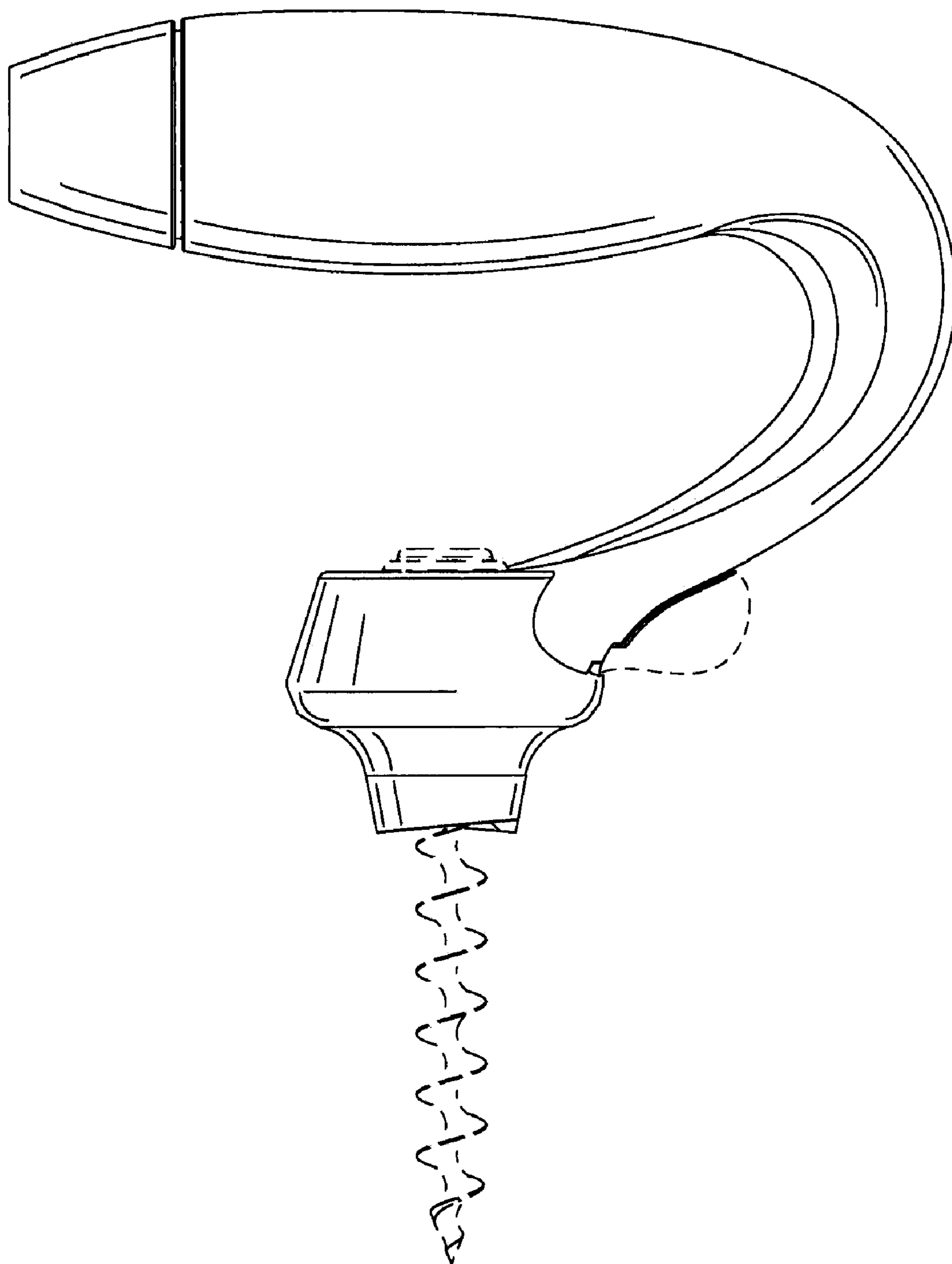


FIG. 6

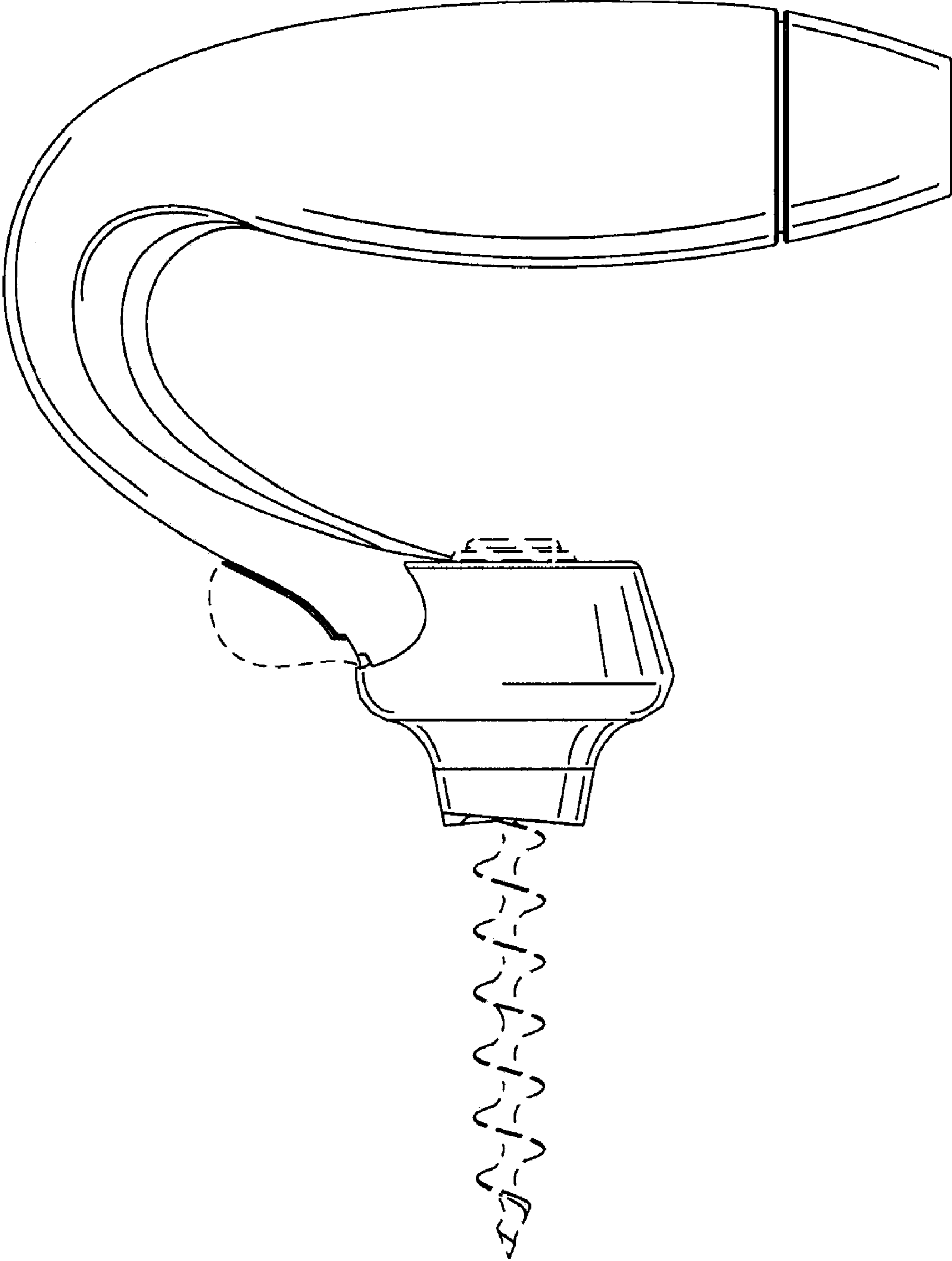


FIG. 7