



US00D571628S

(12) **United States Design Patent**
Neiser

(10) **Patent No.:** **US D571,628 S**
(45) **Date of Patent:** **** Jun. 24, 2008**

(54) **CAN OPENER**

(76) Inventor: **Gabe Neiser**, 2106 Nicole Dr., Port
Jefferson Station, NY (US) 11776

(**) Term: **14 Years**

(21) Appl. No.: **29/289,105**

(22) Filed: **Jul. 6, 2007**

(51) **LOC (8) Cl.** **07-99**

(52) **U.S. Cl.** **D8/40**

(58) **Field of Classification Search** D8/14,
D8/16-19, 33-43, 88, 105; 7/113, 151-156;
30/400-410, 416-430, 433, 434, 443, 450;
81/3.07, 3.09, 3.2, 3.27, 3.29, 3.31, 3.33,
81/3.35, 3.37, 3.4, 3.45, 3.48, 3.49, 3.55
See application file for complete search history.

(56) **References Cited**

U.S. PATENT DOCUMENTS

D234,743 S *	4/1975	Anderson	D8/14
D345,681 S *	4/1994	Bruzzi	D8/14
D401,823 S *	12/1998	Liu	D8/40
D432,377 S *	10/2000	Nagy	D8/40
D465,389 S *	11/2002	Norton	D8/14
D474,951 S *	5/2003	Levien et al.	D8/40
D475,261 S *	6/2003	Lee	D8/36

D479,970 S *	9/2003	Hutchinson	D8/88
D486,046 S *	2/2004	Norton	D8/45
D516,009 S *	2/2006	Kontorovich et al.	D8/14
D553,923 S *	10/2007	Ross	D8/14

* cited by examiner

Primary Examiner—Caron D. Veynar

Assistant Examiner—Garth Rademaker

(74) *Attorney, Agent, or Firm*—Keusey, Tutunjian & Bitetto,
P.C.

(57) **CLAIM**

The ornamental design for a can opener, as shown and described.

DESCRIPTION

FIG. 1 is a perspective view of a can opener showing my new design;

FIG. 2 is a left side view thereof, the right side view being a mirror image thereof;

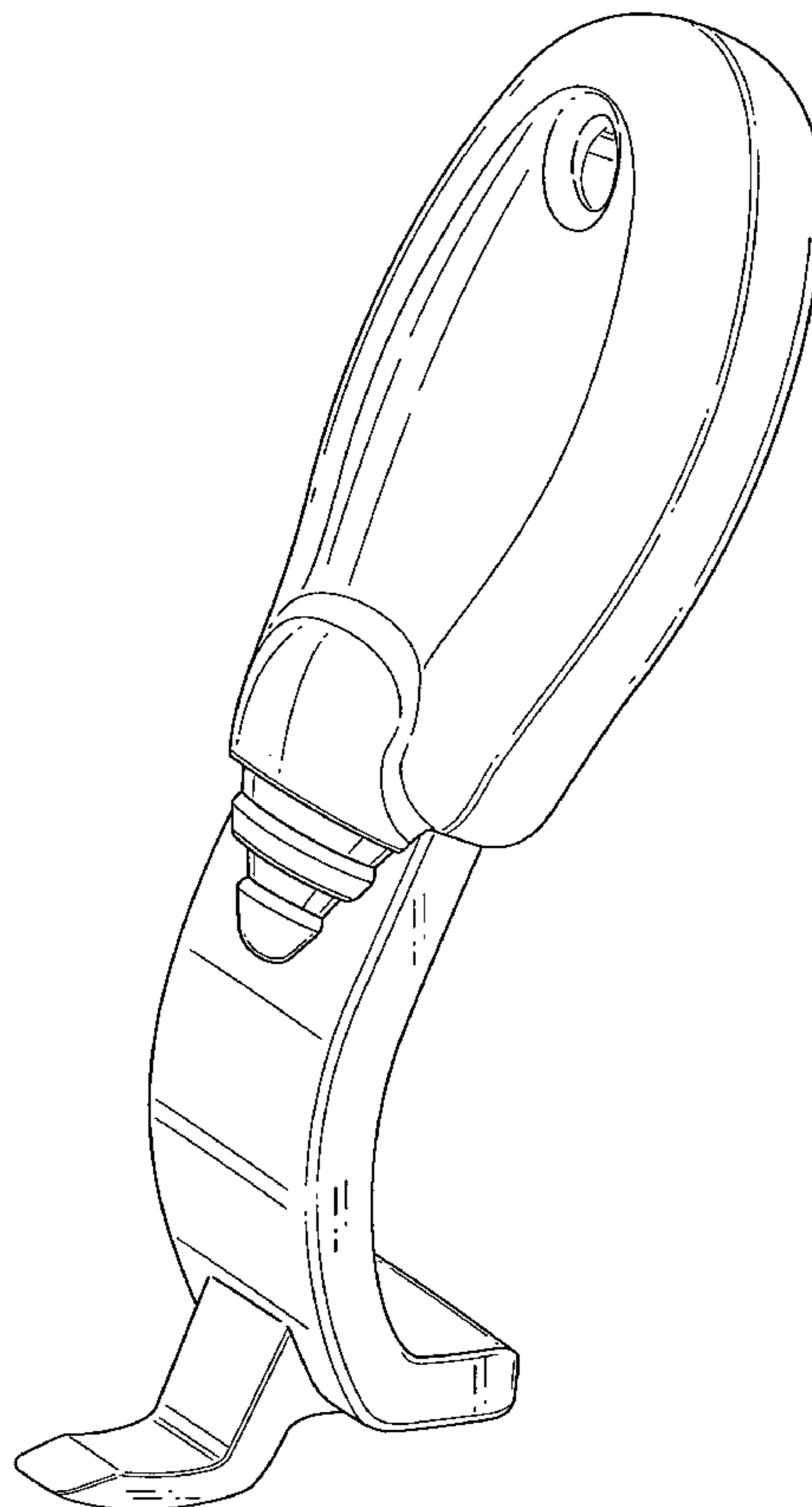
FIG. 3 is front view thereof,

FIG. 4 is a rear view thereof.

FIG. 5 is a bottom view thereof; and,

FIG. 6 is a top view thereof.

1 Claim, 5 Drawing Sheets



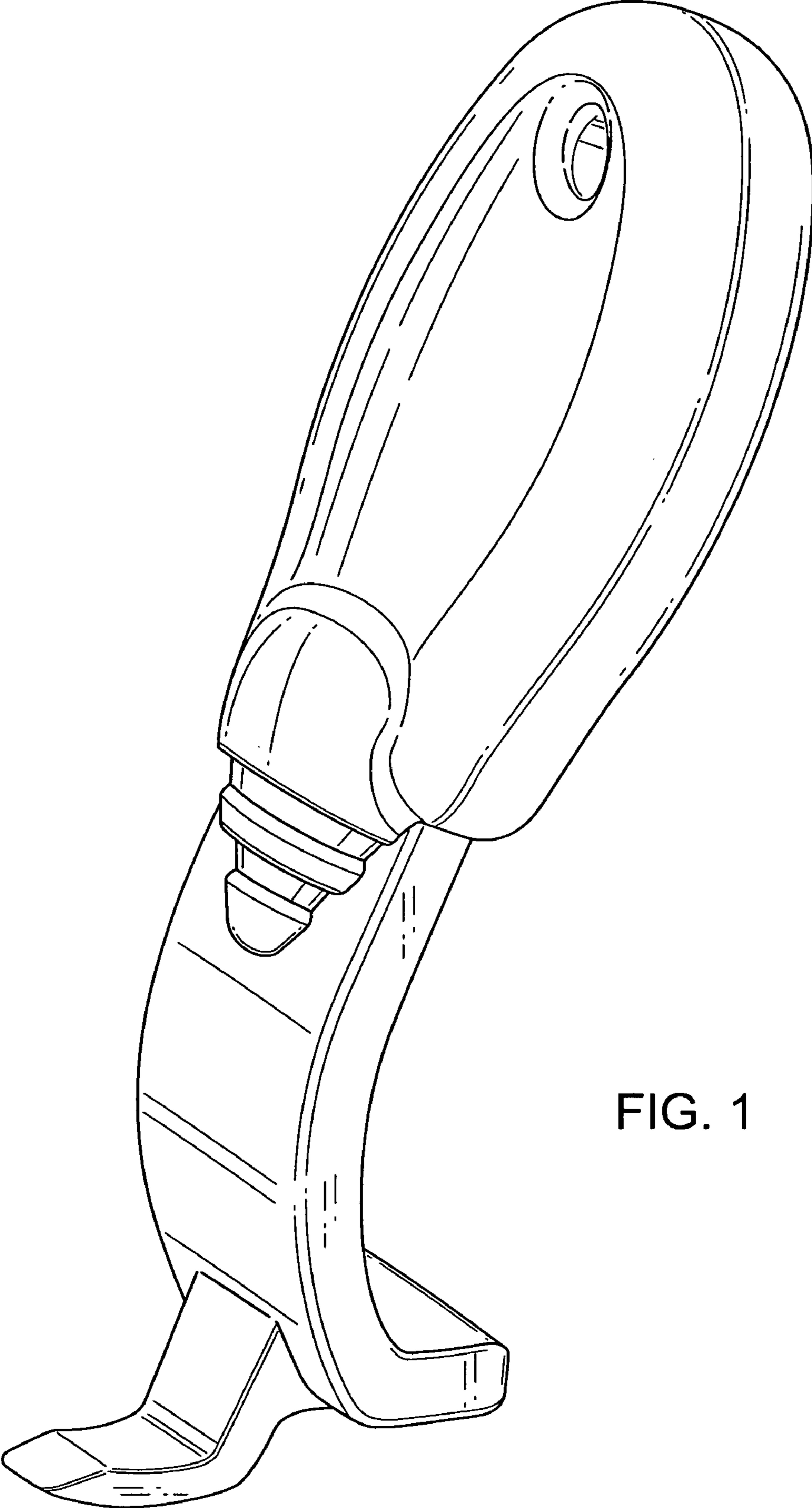


FIG. 1

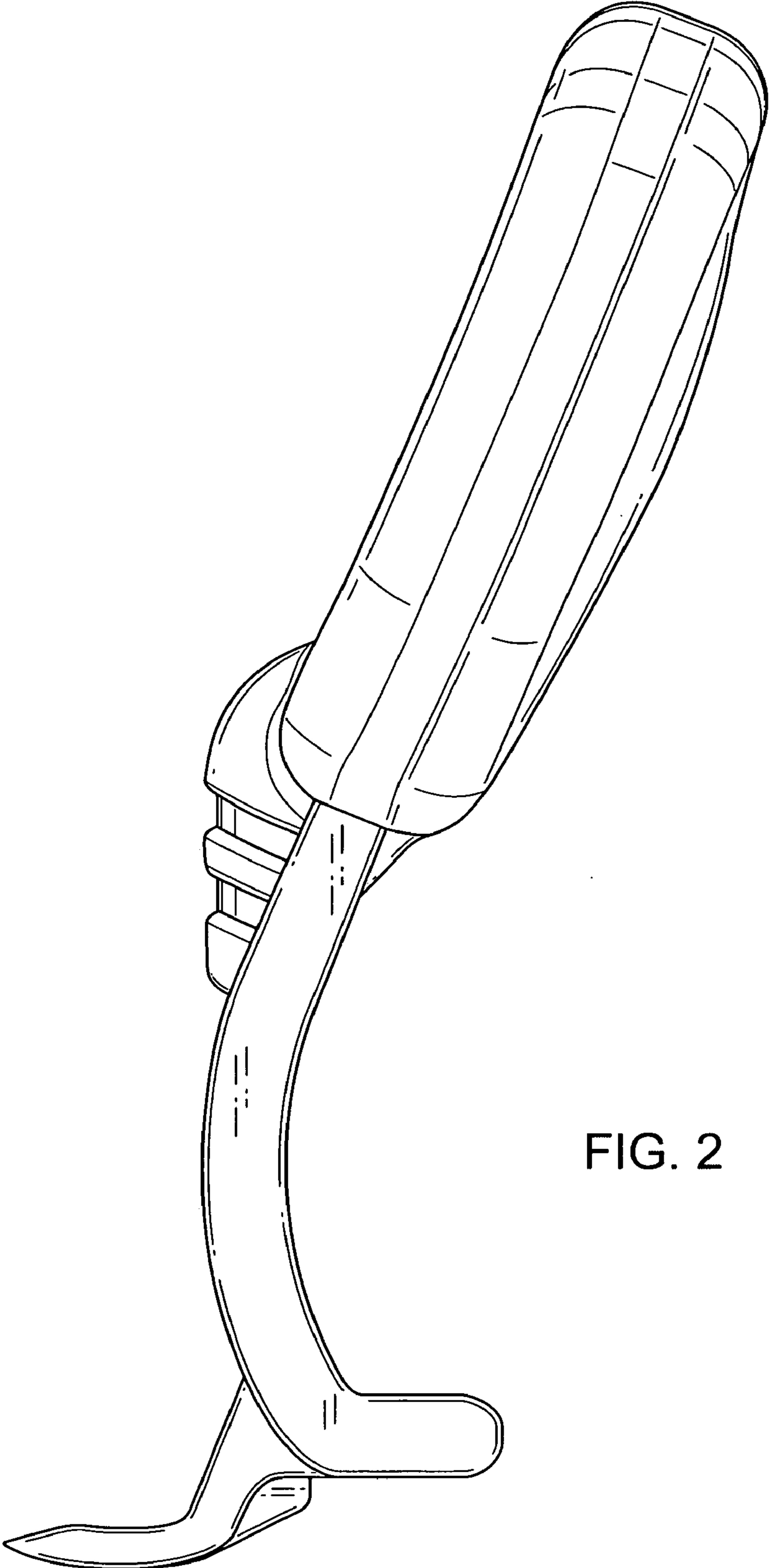


FIG. 2

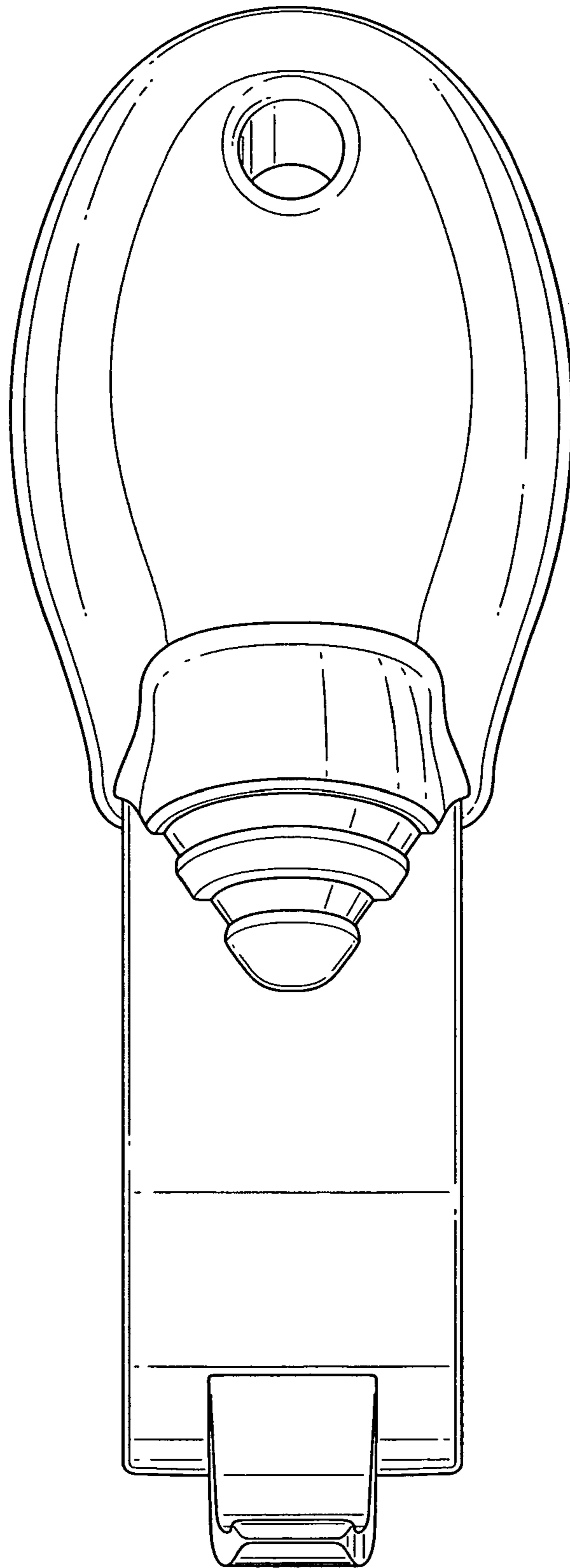


FIG. 3

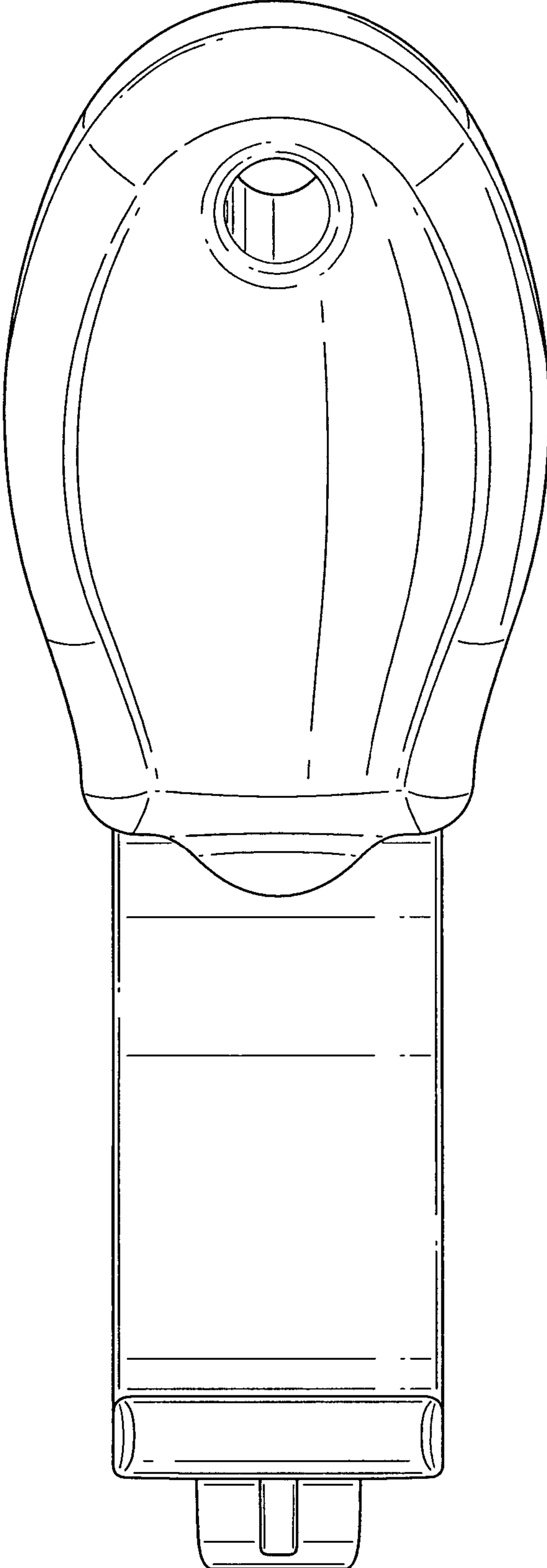


FIG. 4

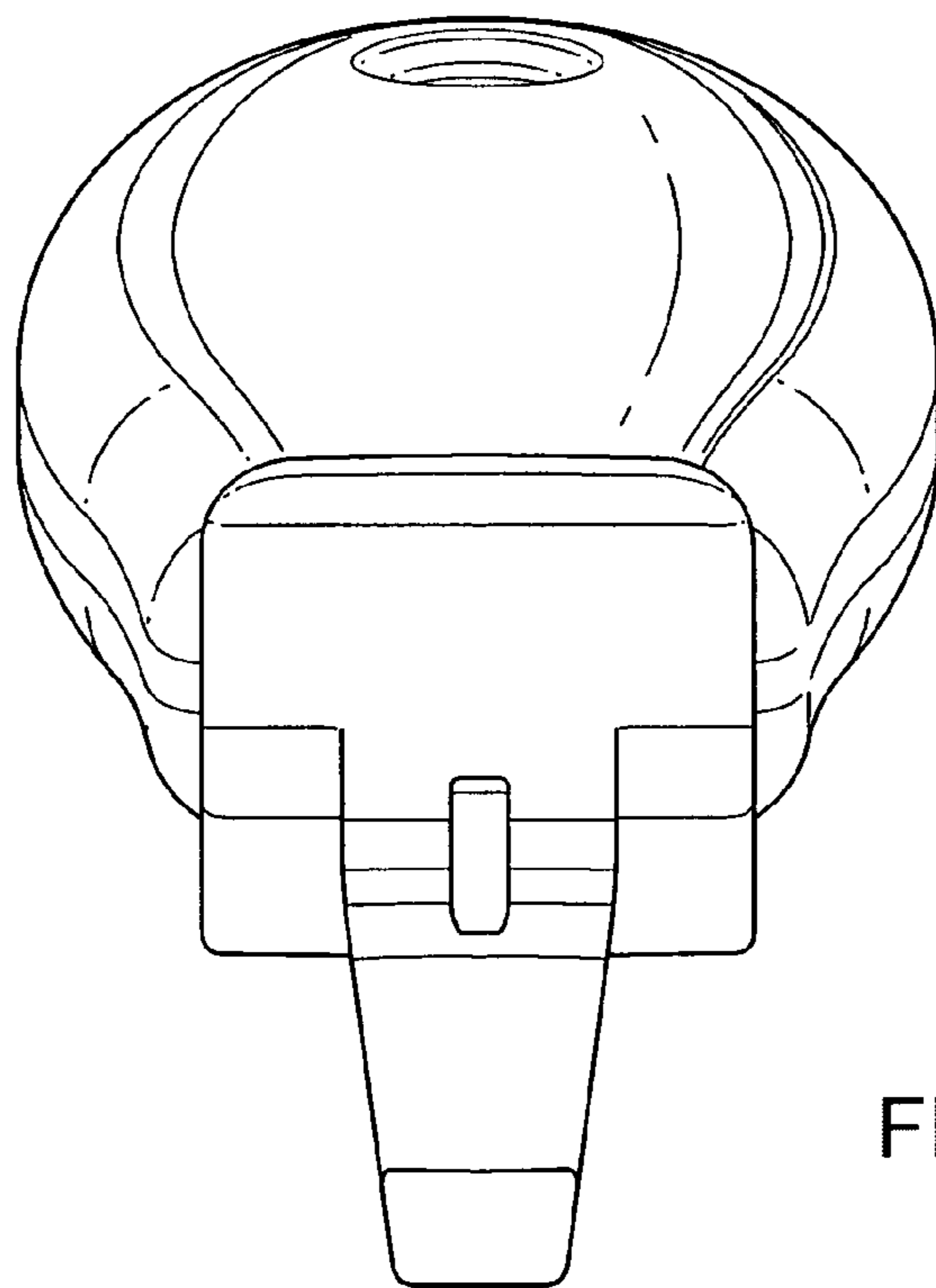


FIG. 5

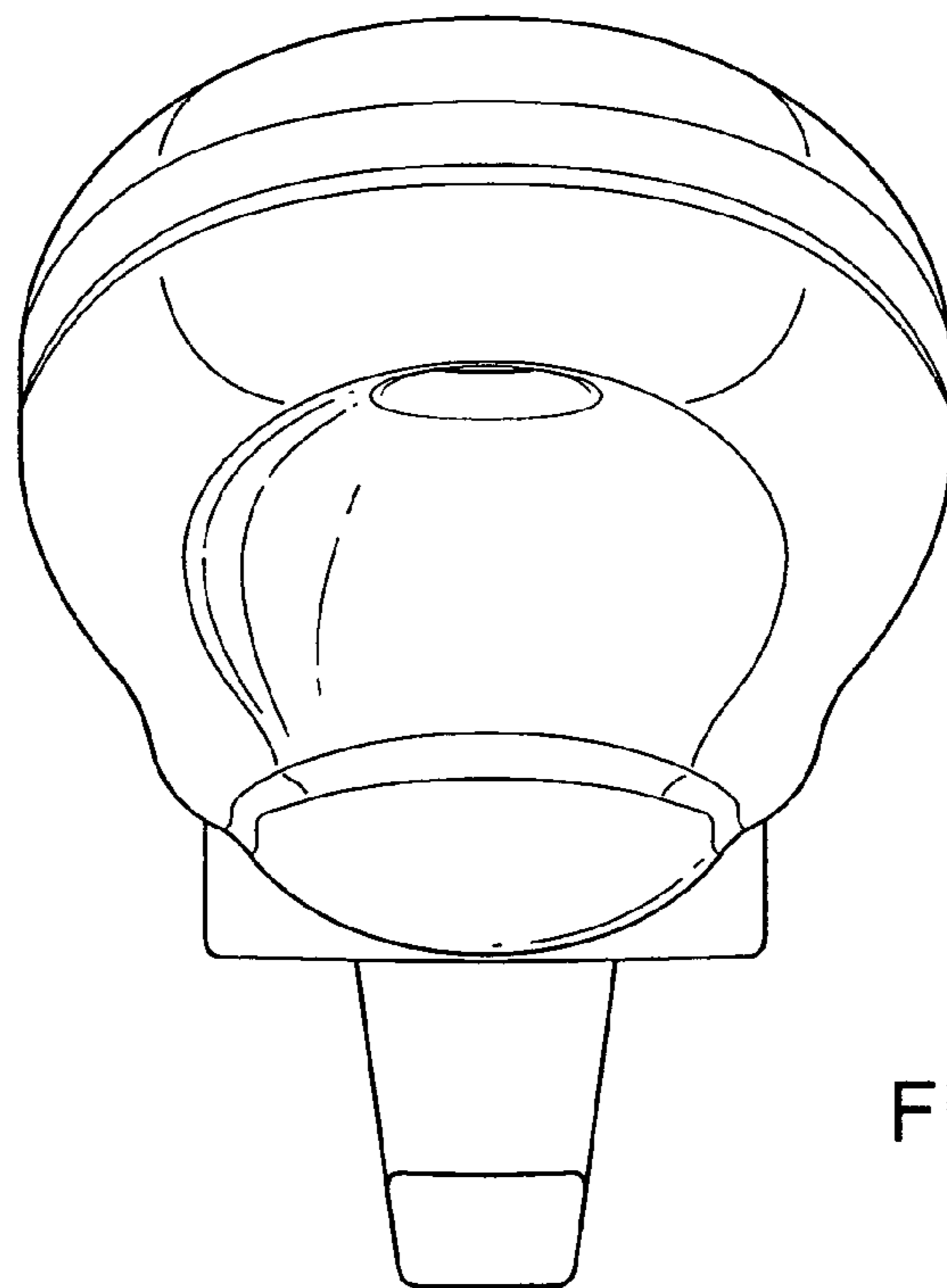


FIG. 6