



US00D571626S

(12) **United States Design Patent**  
**Escoe et al.**

(10) **Patent No.:** **US D571,626 S**  
(45) **Date of Patent:** **\*\* Jun. 24, 2008**

(54) **ELECTRONIC TORQUE WRENCH**

(75) Inventors: **T. Kenneth Escoe**, Randallstown, MD (US); **Awad Aly Gharib**, Cockeysville, MD (US)

(73) Assignee: **Easco Hand Tools, Inc.**, Simsbury, CT (US)

(\*\*) Term: **14 Years**

(21) Appl. No.: **29/291,934**

(22) Filed: **Sep. 20, 2007**

(51) **LOC (8) Cl.** ..... **08-05**

(52) **U.S. Cl.** ..... **D8/24**

(58) **Field of Classification Search** ..... D8/17, D8/21-29, 52, 55, 81-87, 102-107, 98, 99, D8/93, 94; 81/119, 121.1, 86, 124.2, 125.1, 81/176.1, 176.2, 177.1, 177.2, 177.3, 177.85, 81/124.3, 124.7, 176.3, 179, 160, 3.57, 3.55, 81/186, 58.3, 300, 58.1, 60-63.2, 165-170, 81/110.1, 124.6, 176.15, 58.4, 121.7, 436, 81/437, 418, 166, 177.8, 177.9, 185.1, 3.4, 81/177.4, 492, 57, 58, 13, 177.7, 490, 415-423, 81/427.5; 140/119; 16/422, 186, 429, 430; D24/133, 144, 147

See application file for complete search history.

(56) **References Cited**

**U.S. PATENT DOCUMENTS**

4,257,263	A	3/1981	Herrgen	
4,397,196	A	8/1983	Lemelson	
4,558,601	A	12/1985	Stasiak et al.	
4,641,538	A	2/1987	Heyraud	
4,643,030	A	2/1987	Becker et al.	
D338,955	S *	8/1993	Gresl et al.	D24/130
5,315,501	A	5/1994	Whitehouse	
D348,819	S *	7/1994	Craig	D8/107
D351,653	S *	10/1994	Koros et al.	D24/143
D358,642	S *	5/1995	Michelson	D24/140
5,537,877	A	7/1996	Hsu	
5,589,644	A	12/1996	Becker et al.	
5,873,148	A *	2/1999	Arnold	16/430

6,070,506	A	6/2000	Becker	
6,119,562	A	9/2000	Jenkins	
6,167,788	B1	1/2001	Schonberger et al.	
6,276,243	B1	8/2001	Jenkins	
D453,222	S *	1/2002	Garito et al.	D24/144
6,345,436	B1	2/2002	Codrington	
D457,955	S *	5/2002	Bilitz	D24/133
6,526,853	B2	3/2003	Jenkins	
6,698,298	B2	3/2004	Tsuji et al.	
D497,294	S *	10/2004	Becker et al.	D8/25
6,968,759	B2	11/2005	Becker et al.	
6,981,436	B2	1/2006	Becker et al.	
7,000,508	B2	2/2006	Li et al.	
D520,309	S *	5/2006	Hsien	D8/25
7,047,849	B2	5/2006	Lai	
7,082,865	B2	8/2006	Reynertson, Jr.	
7,082,866	B2	8/2006	Becker	
7,089,834	B2	8/2006	Reynertson et al.	
7,107,884	B2	9/2006	Cutler et al.	

(Continued)

*Primary Examiner*—Raphael Barkai  
*Assistant Examiner*—Randall H Gholson  
(74) *Attorney, Agent, or Firm*—Nelson Mullins Riley & Scarborough, LLP

(57) **CLAIM**

The ornamental design of an electronic torque wrench, substantially as shown and described.

**DESCRIPTION**

FIG. 1 is a perspective view of an electronic torque wrench embodying the design of the present invention;

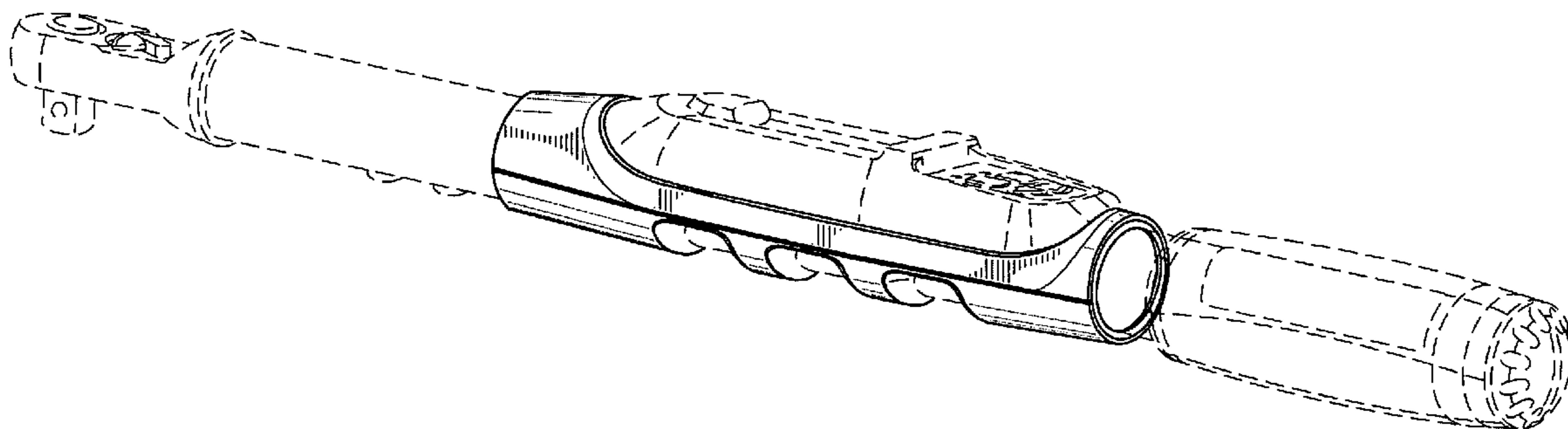
FIG. 2 is a bottom elevation view of the electronic torque wrench illustrated in FIG. 1;

FIG. 3 is a top elevation view of the electronic torque wrench shown in FIG. 1;

FIG. 4 is a left side view of the electronic torque wrench shown in FIG. 1; and,

FIG. 5 is a right side view of the electronic torque wrench shown in FIG. 1.

**1 Claim, 3 Drawing Sheets**

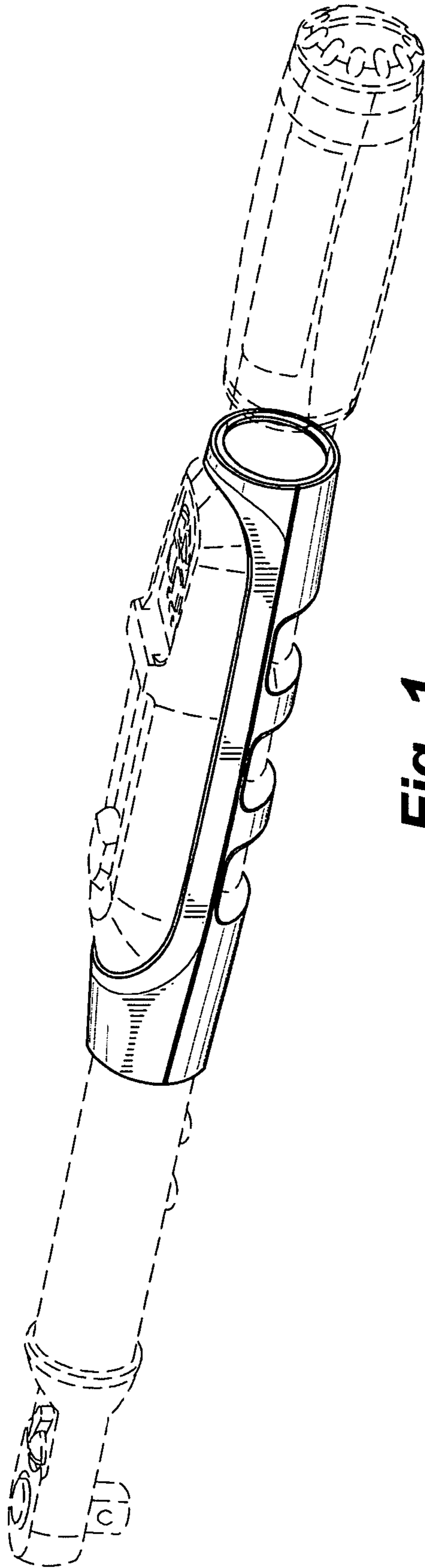


# US D571,626 S

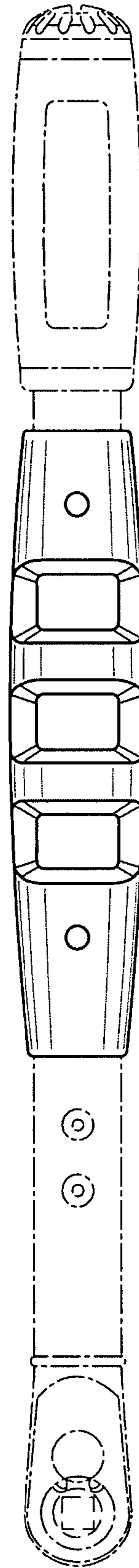
Page 2

---

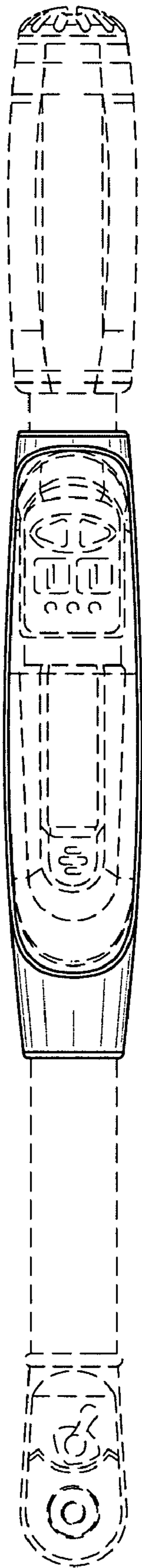
U.S. PATENT DOCUMENTS							
				2005/0092143	A1	5/2005	Lehnert et al.
D530,166	S	*	10/2006	Becker et al.	.....	D8/24	
D535,396	S	*	1/2007	Reschke et al.	.....	D24/144	
2002/0170395	A1		11/2002	Wang et al.			
2002/0178876	A1		12/2002	Wang et al.			
2005/0072278	A1	*	4/2005	Cutler et al.	.....	81/467	* cited by examiner



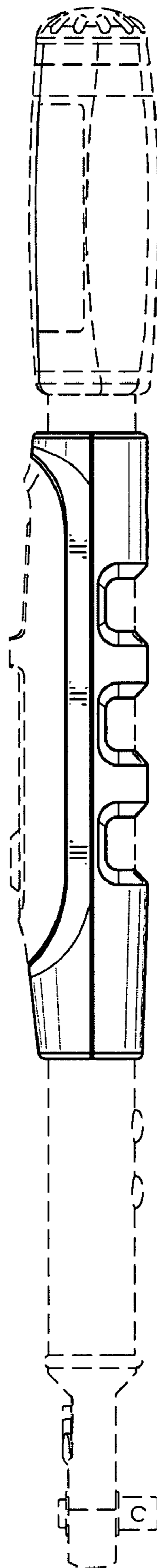
**Fig. 1**



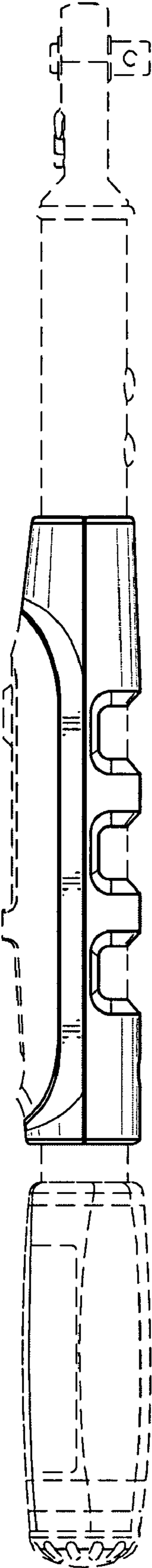
**Fig. 2**



**Fig. 3**



**Fig. 4**



**Fig. 5**

UNITED STATES PATENT AND TRADEMARK OFFICE  
**CERTIFICATE OF CORRECTION**

PATENT NO. : D571,626 S  
APPLICATION NO. : 29/291934  
DATED : June 24, 2008  
INVENTOR(S) : T. Kenneth Escoe and Awad Aly Gharib

Page 1 of 1

It is certified that error appears in the above-identified patent and that said Letters Patent is hereby corrected as shown below:

On the cover page, item (22), in the filing date, please delete the words "September 20, 2007" and replace with --September 21, 2007--.

Signed and Sealed this  
Fifteenth Day of March, 2011

A handwritten signature in black ink that reads "David J. Kappos". The signature is written in a cursive style with a large initial "D" and "K".

David J. Kappos  
*Director of the United States Patent and Trademark Office*