



US00D571623S

(12) **United States Design Patent**
Löving

(10) **Patent No.:** **US D571,623 S**
(45) **Date of Patent:** **** Jun. 24, 2008**

(54) **FLOATING DRINK TRAY**

(75) Inventor: **Nic Löving**, Västerås (SE)

(73) Assignee: **Fagerdala Por-Pac AB**, Lindesberg (SE)

(**) Term: **14 Years**

(21) Appl. No.: **29/288,278**

(22) Filed: **Jun. 6, 2007**

(30) **Foreign Application Priority Data**

Dec. 7, 2006 (EM) 000633771

(51) **LOC (8) Cl.** **07-01**

(52) **U.S. Cl.** **D7/707; D7/608**

(58) **Field of Classification Search** D7/619.1,
D7/624.1, 707, 708, 701, 605, 608, 550.1,
D7/553.1, 553.6–553.8, 554.1, 554.2, 554.4;
220/560, 592.24, 574–575; 206/553, 557,
206/562, 564

See application file for complete search history.

(56) **References Cited**

U.S. PATENT DOCUMENTS

2,531,562 A * 11/1950 Eve 220/560
D215,959 S * 11/1969 Kelso D7/707

D239,673 S * 4/1976 Ziegler D7/624.1
D268,558 S * 4/1983 Young D7/703
D290,674 S * 7/1987 Valov D7/624.1
D385,158 S * 10/1997 Rausch D7/608
6,491,179 B2 * 12/2002 Dokun 220/575
D469,659 S * 2/2003 Gale D7/553.6
7,195,132 B1 * 3/2007 Balam 220/560

* cited by examiner

Primary Examiner—Terry A Wallace

(74) *Attorney, Agent, or Firm*—Dilworth & Barrese, LLP

(57) **CLAIM**

The ornamental design for a floating drink tray, as shown and described.

DESCRIPTION

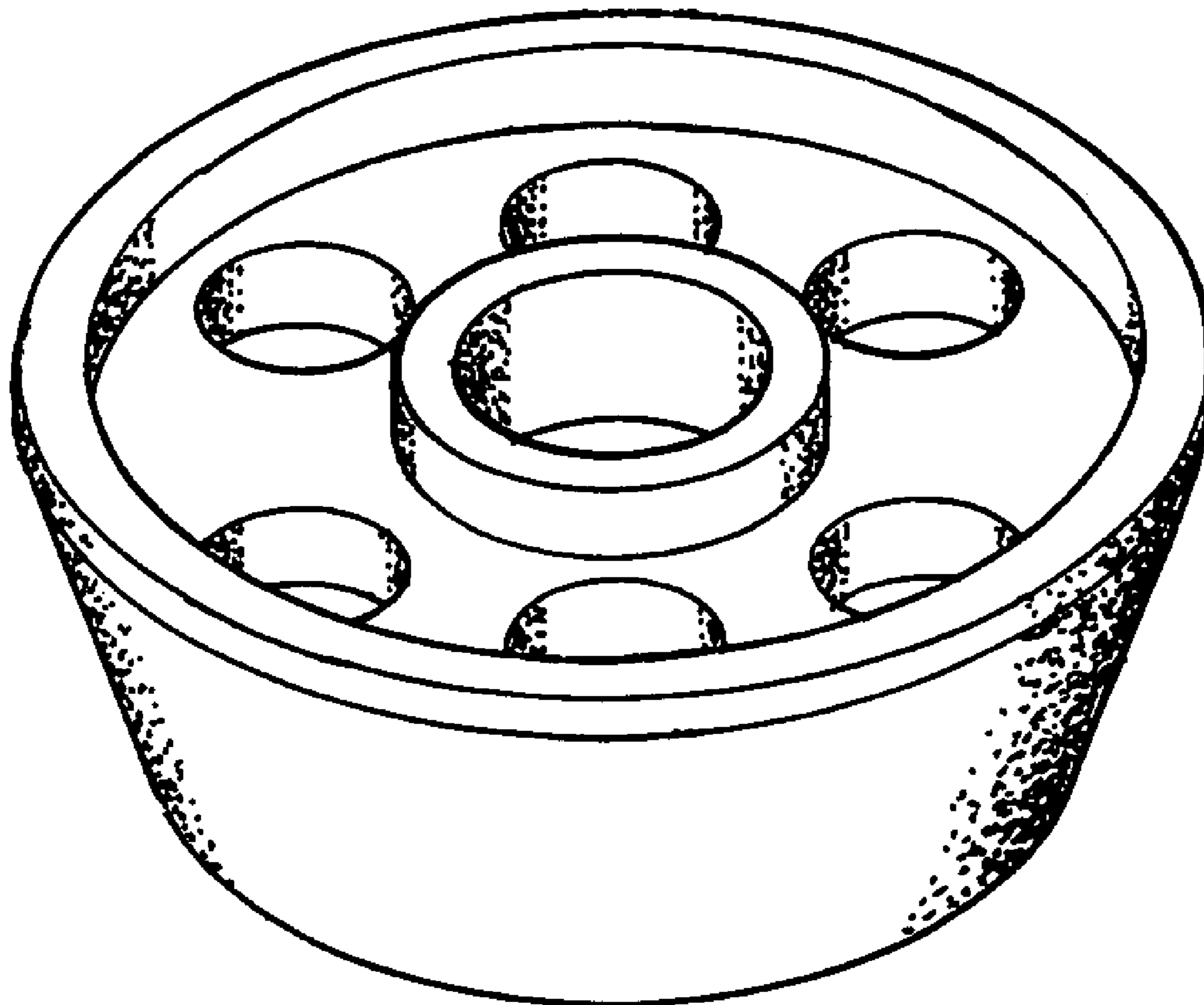
FIG. 1 is a perspective view from above of the floating drink tray showing my new design;

FIG. 2 is a perspective view from below of the floating drink tray of FIG. 1;

FIG. 3 is a side elevational view of the floating drink tray of FIG. 1; and,

FIG. 4 is a perspective view from above of the floating drink tray at a higher angle than FIG. 1.

1 Claim, 4 Drawing Sheets



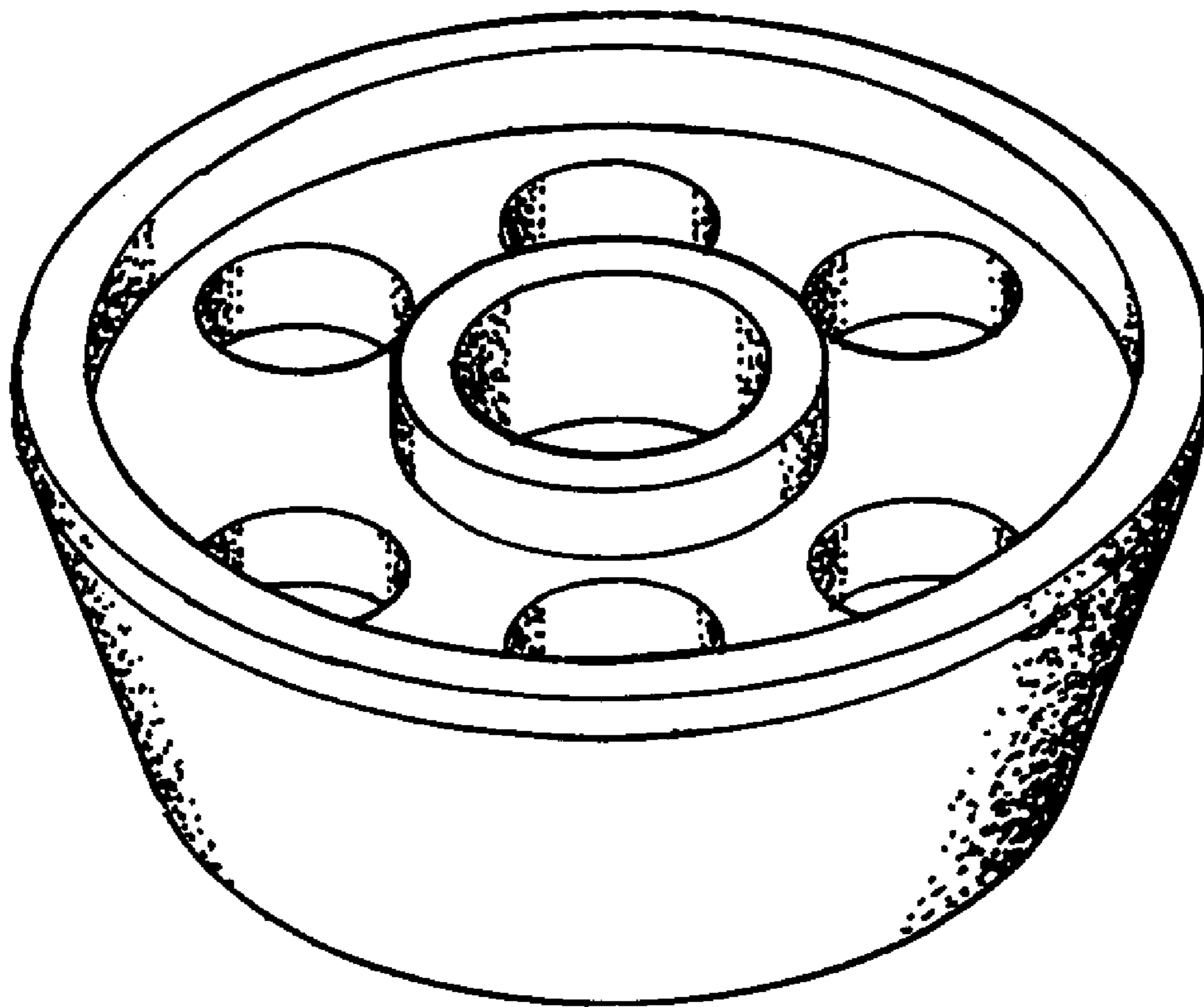


FIG. 1

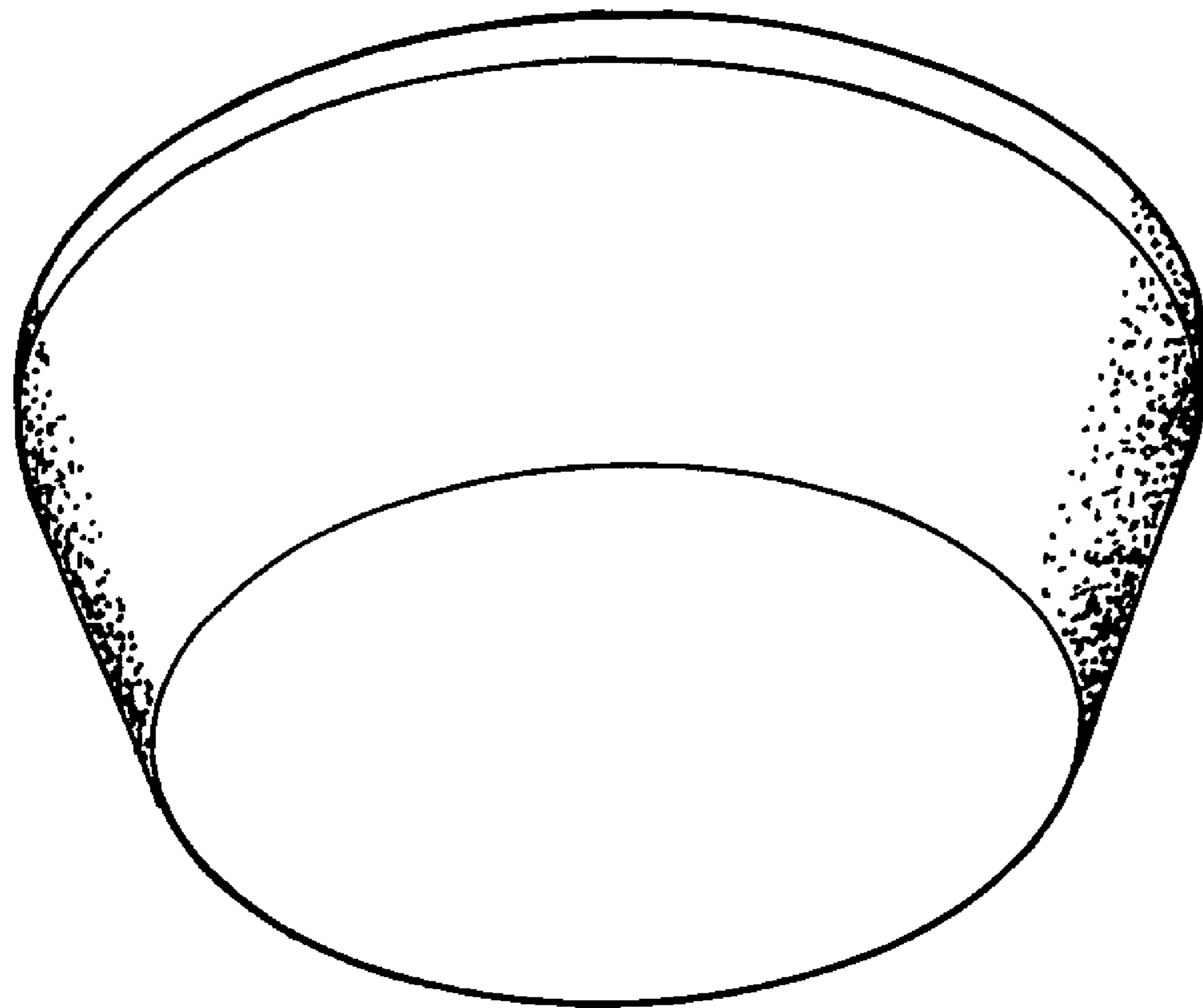


FIG. 2

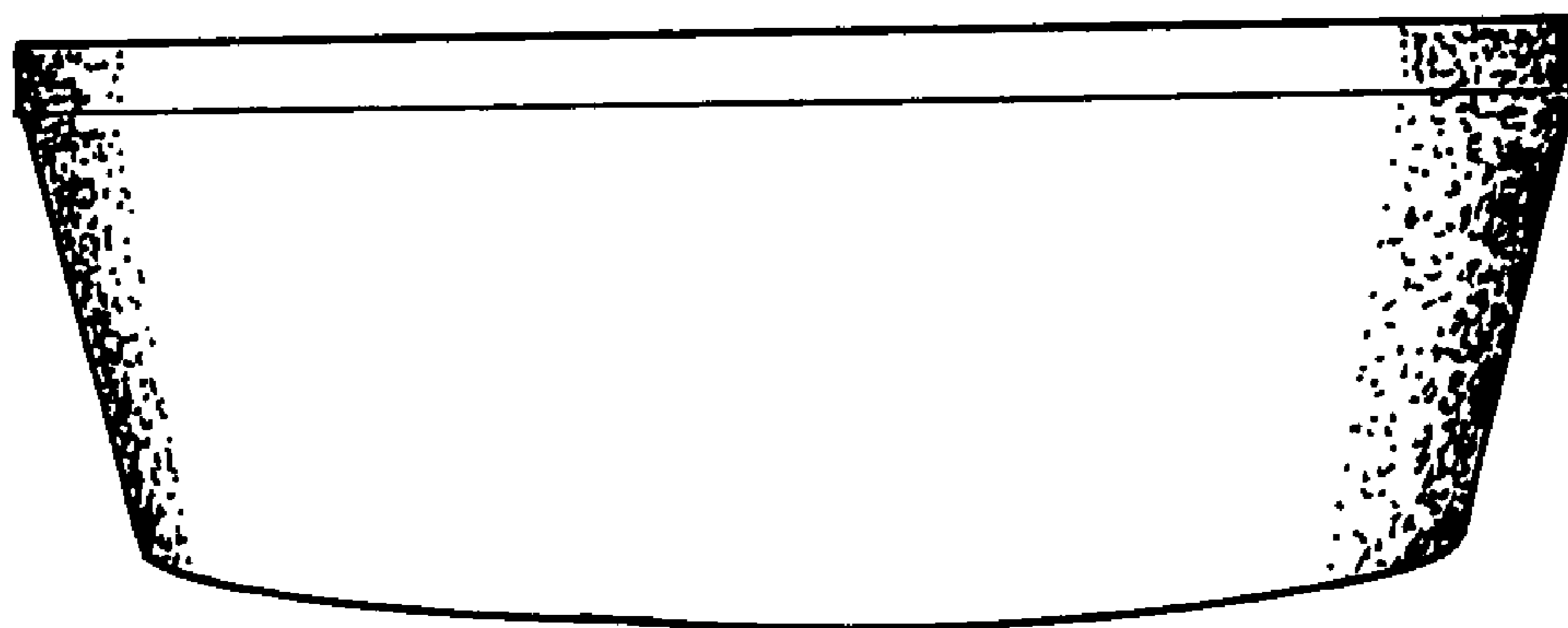


FIG. 3

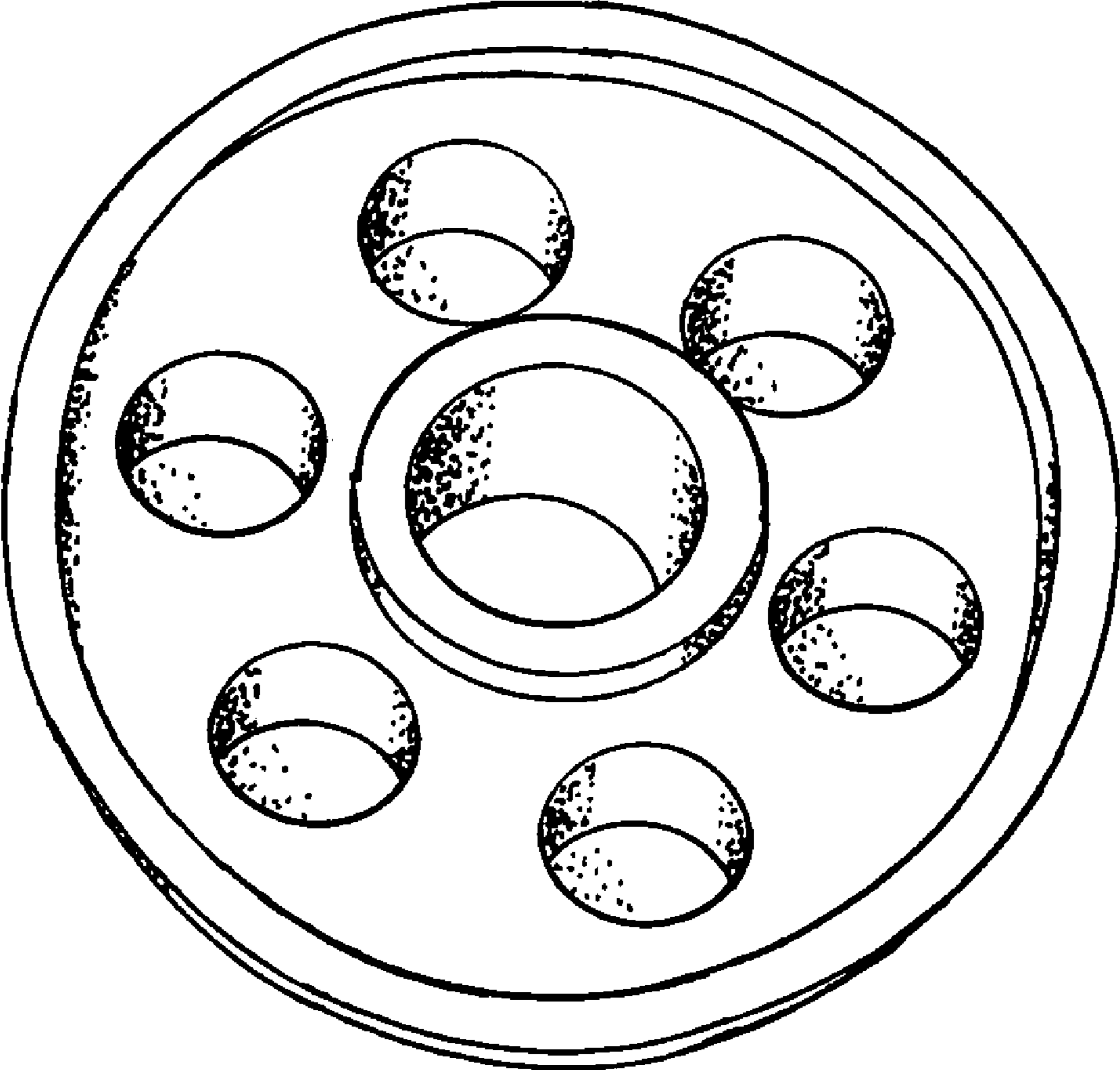


FIG. 4