



US00D571618S

(12) **United States Design Patent**
Tucker

(10) **Patent No.:** **US D571,618 S**
(45) **Date of Patent:** **** Jun. 24, 2008**

(54) **STRAW DISPENSER**

(76) Inventor: **Terence Tucker**, 611 Calle Embocadura,
San Clemente, CA (US) 92673

(**) Term: **14 Years**

(21) Appl. No.: **29/289,201**

(22) Filed: **Jul. 11, 2007**

(51) **LOC (8) Cl.** **07-99**

(52) **U.S. Cl.** **D7/635**

(58) **Field of Classification Search** D7/635-641;
312/71, 73, 42, 45; D19/69, 75, 77, 78, 81,
D19/84, 85, 95; 221/97, 188, 191, 194, 202,
221/254, 266, 279, 281, 285, 283; 211/70.6,
211/70.7, 71.01, 70, 78

See application file for complete search history.

(56) **References Cited**

U.S. PATENT DOCUMENTS

D49,875 S *	11/1916	Aulicino et al.	D7/590
D93,893 S *	11/1934	Saunders	D7/632
D155,473 S *	10/1949	Beghetti	D7/632
3,968,901 A	7/1976	Peva, Jr.		
D248,441 S *	7/1978	Bausch	D7/635
4,124,144 A	11/1978	Radek		
4,174,787 A	11/1979	Merila		
D254,530 S	3/1980	Armstrong		
4,227,626 A	10/1980	Merila		
D277,799 S *	2/1985	DiSesa	D7/640
4,789,081 A	12/1988	Mobbs		

5,094,649 A	3/1992	Schwartz		
D329,465 S	9/1992	Kastanek		
D342,647 S	12/1993	Kastanek		
D366,602 S	1/1996	Penn et al.		
5,743,430 A	4/1998	Freixas		
5,960,988 A	10/1999	Freixas		
D424,885 S *	5/2000	Joergensen	D7/640
6,530,487 B1 *	3/2003	Berry	211/70.6

* cited by examiner

Primary Examiner—Terry A Wallace

(74) *Attorney, Agent, or Firm*—Stetina Brunda Garred & Brucker

(57) **CLAIM**

The ornamental design for a straw dispenser, as shown and described.

DESCRIPTION

FIG. 1 is a top plan view of the straw dispenser of the present invention showing my new design with the dotted lines depicting solely environmental structure and forming no part of the claimed design;

FIG. 2 is a bottom plan view thereof;

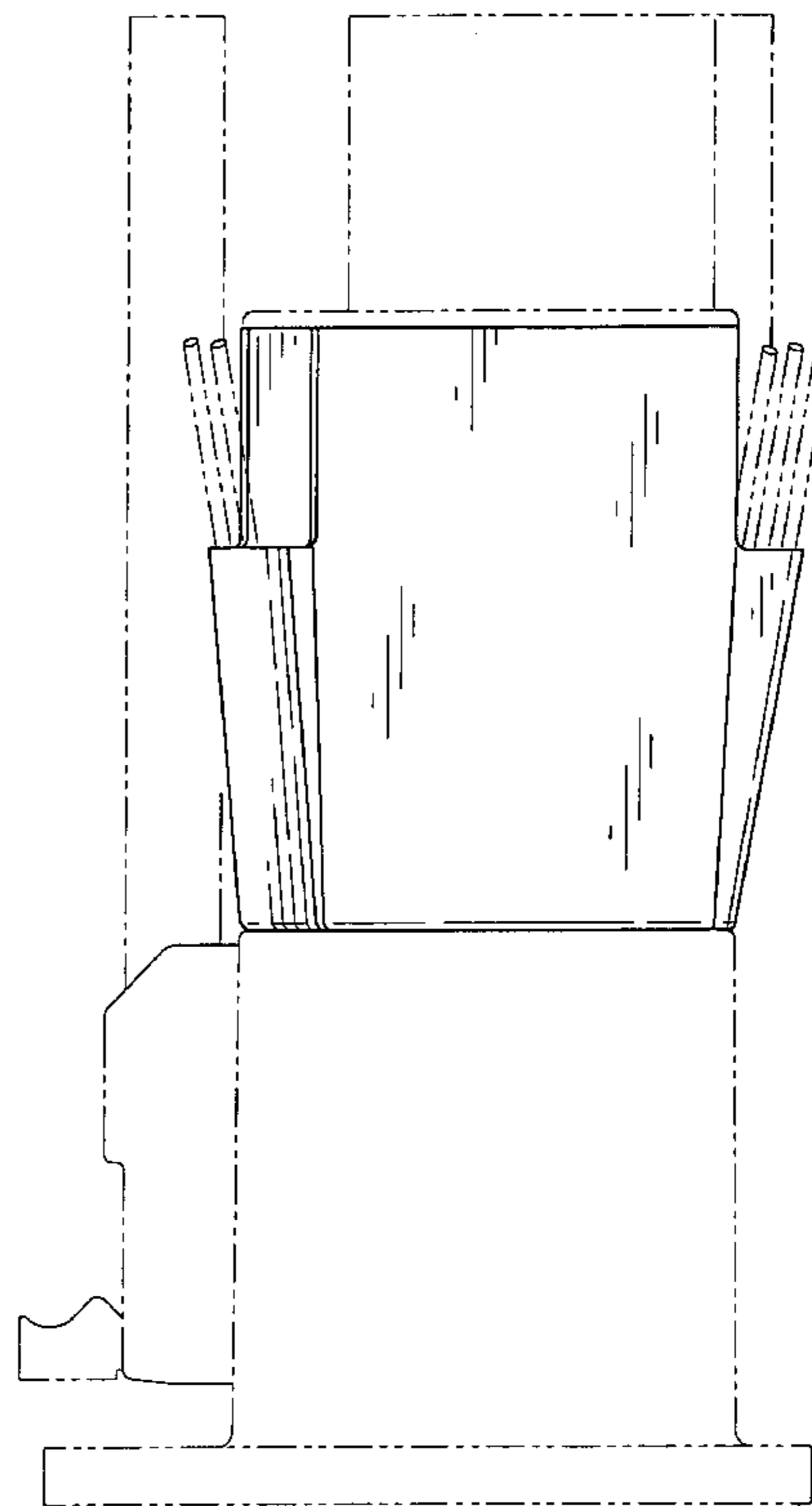
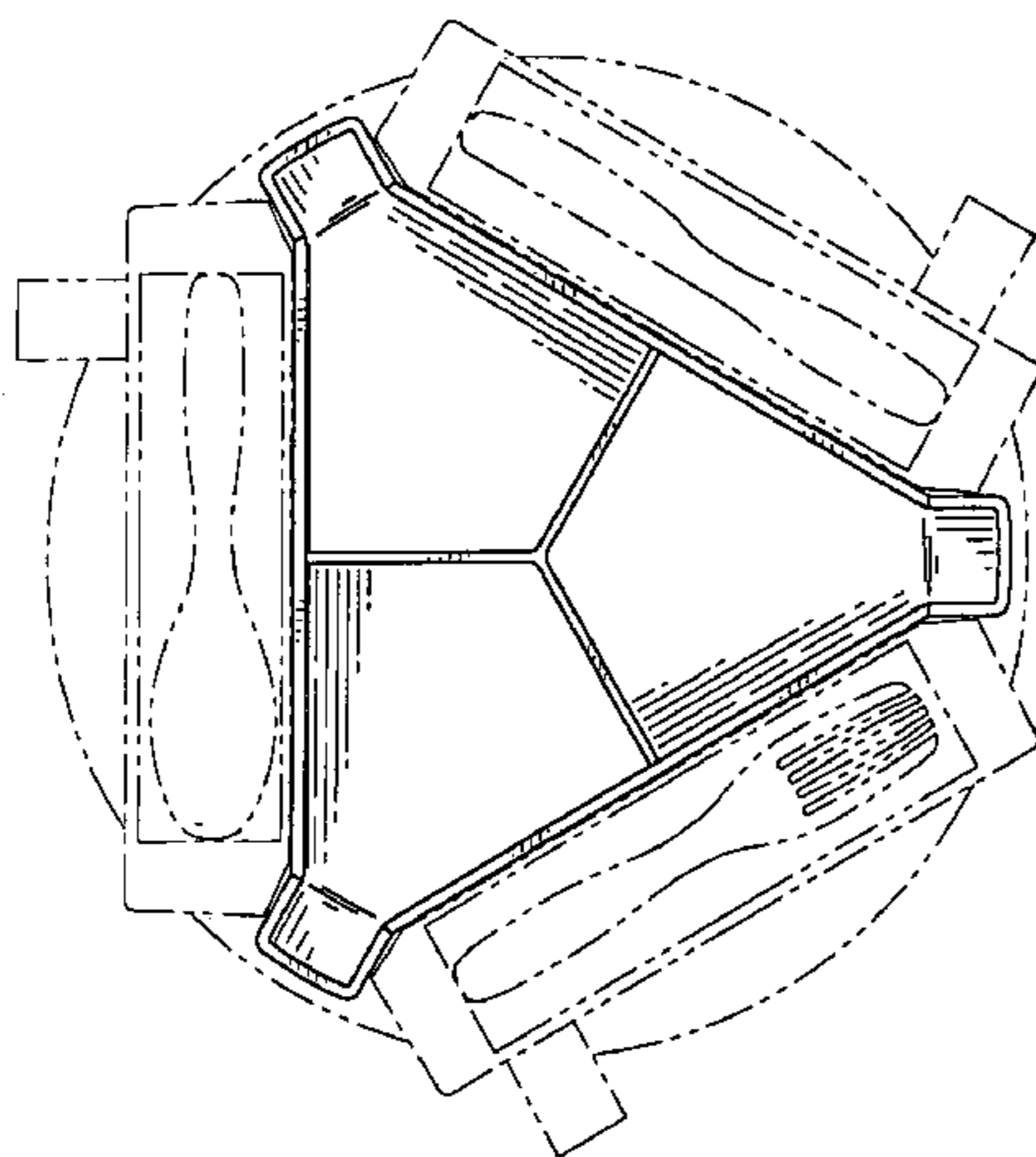
FIG. 3 is a side elevational view thereof;

FIG. 4 is a side elevational view thereof;

FIG. 5 is a rear elevational view thereof; and,

FIG. 6 is a cross sectional view taken about lines 6—6 of FIG. 5.

1 Claim, 3 Drawing Sheets



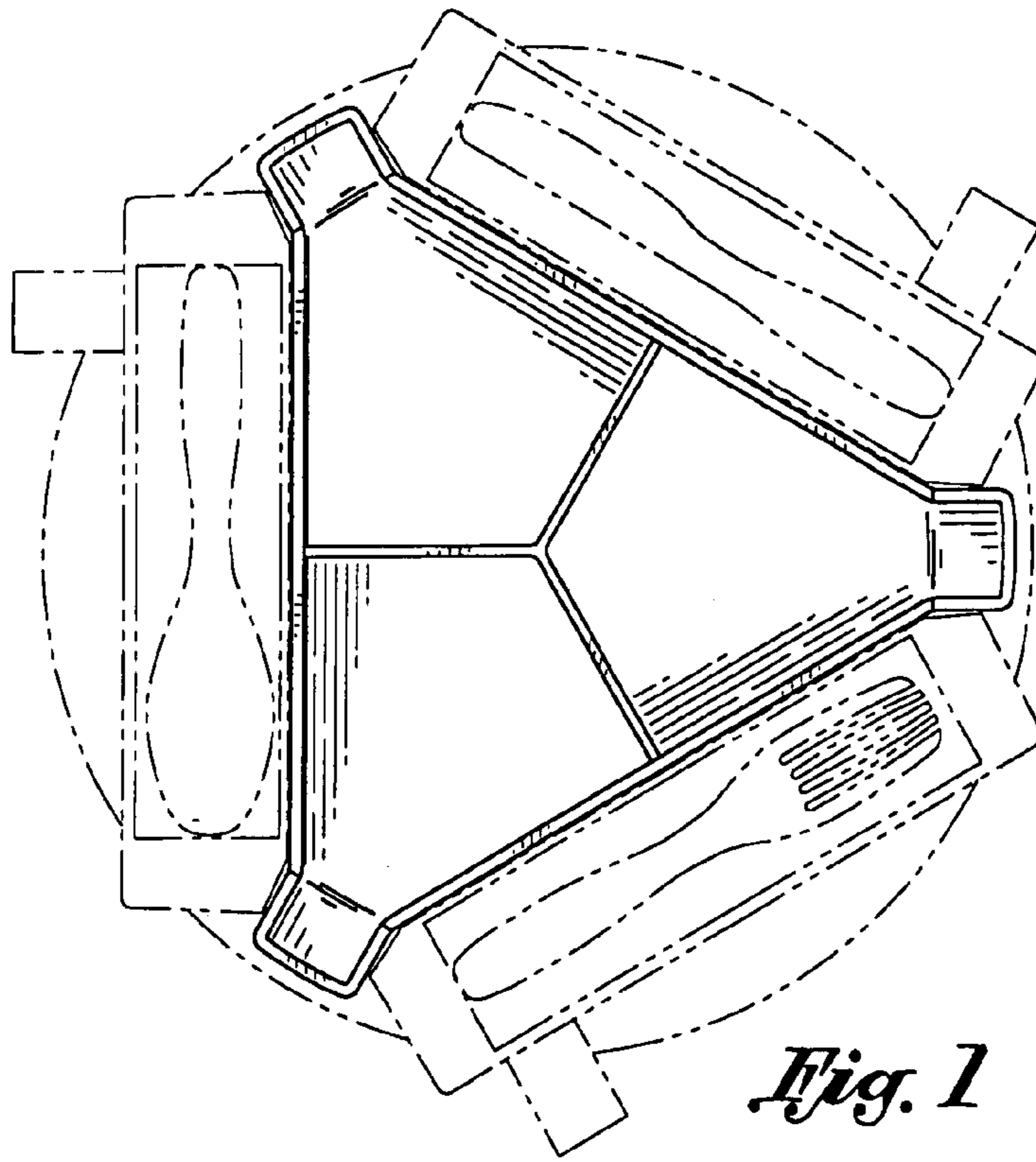


Fig. 1

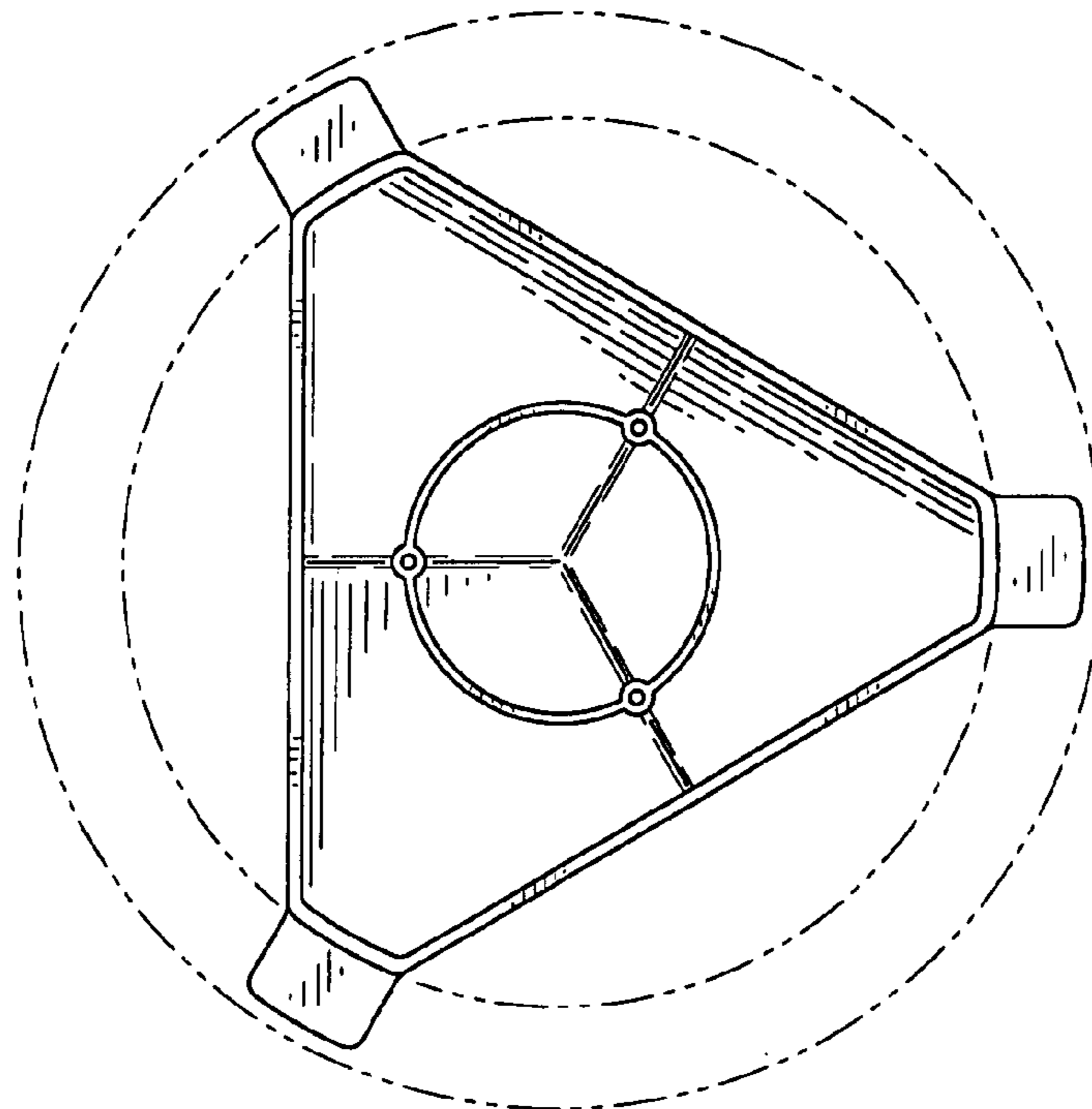


Fig. 2

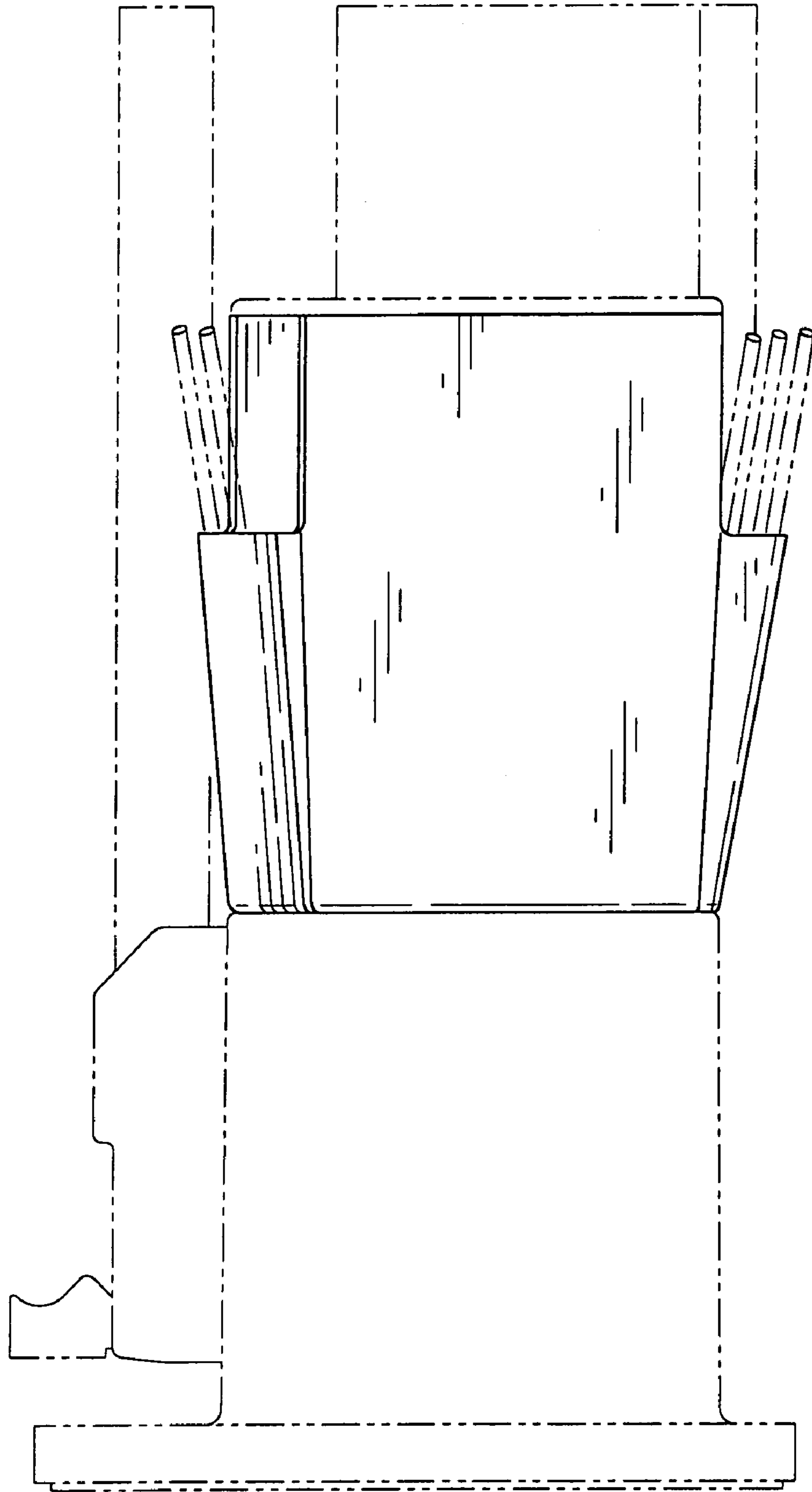


Fig. 3

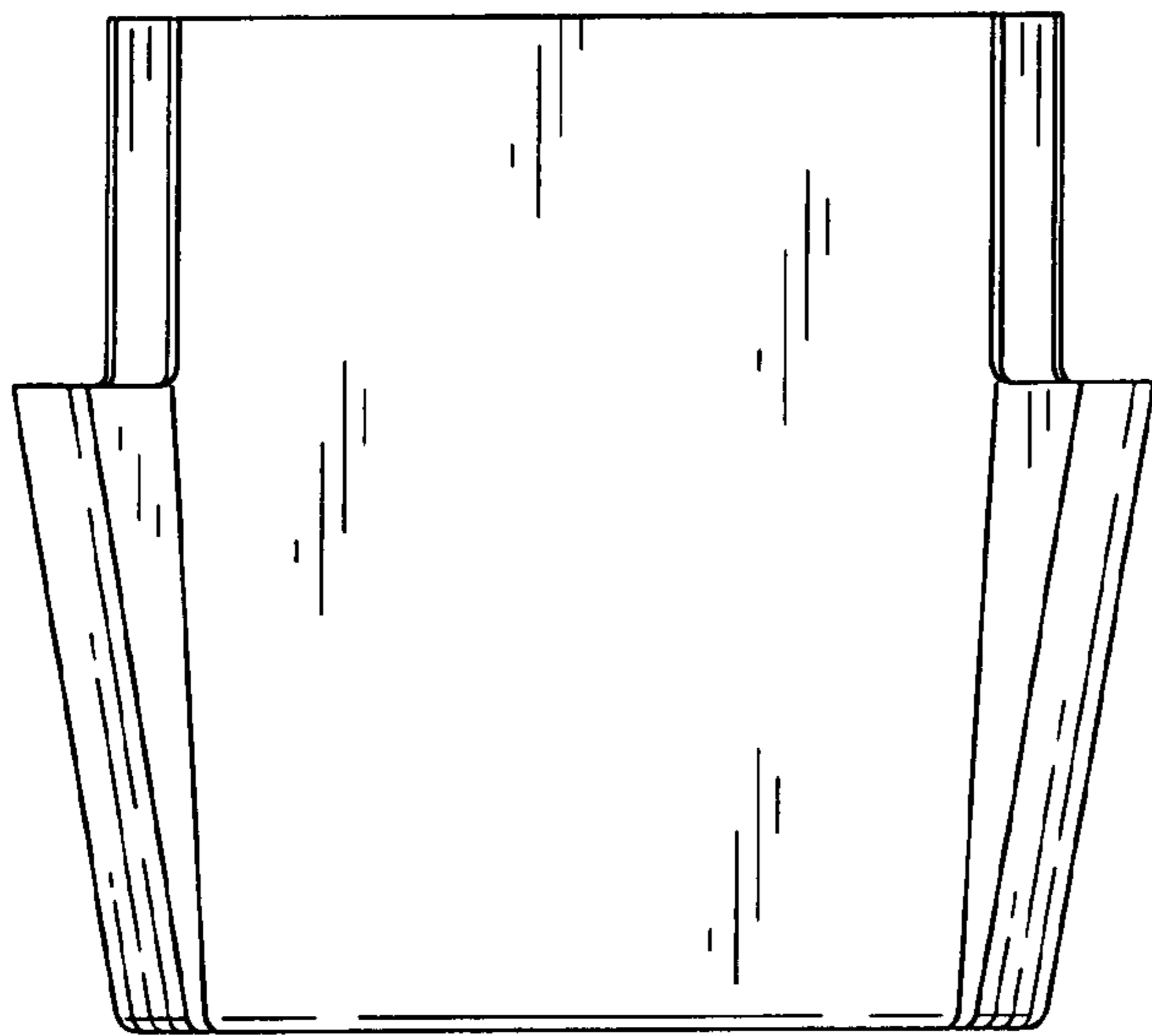


Fig. 4

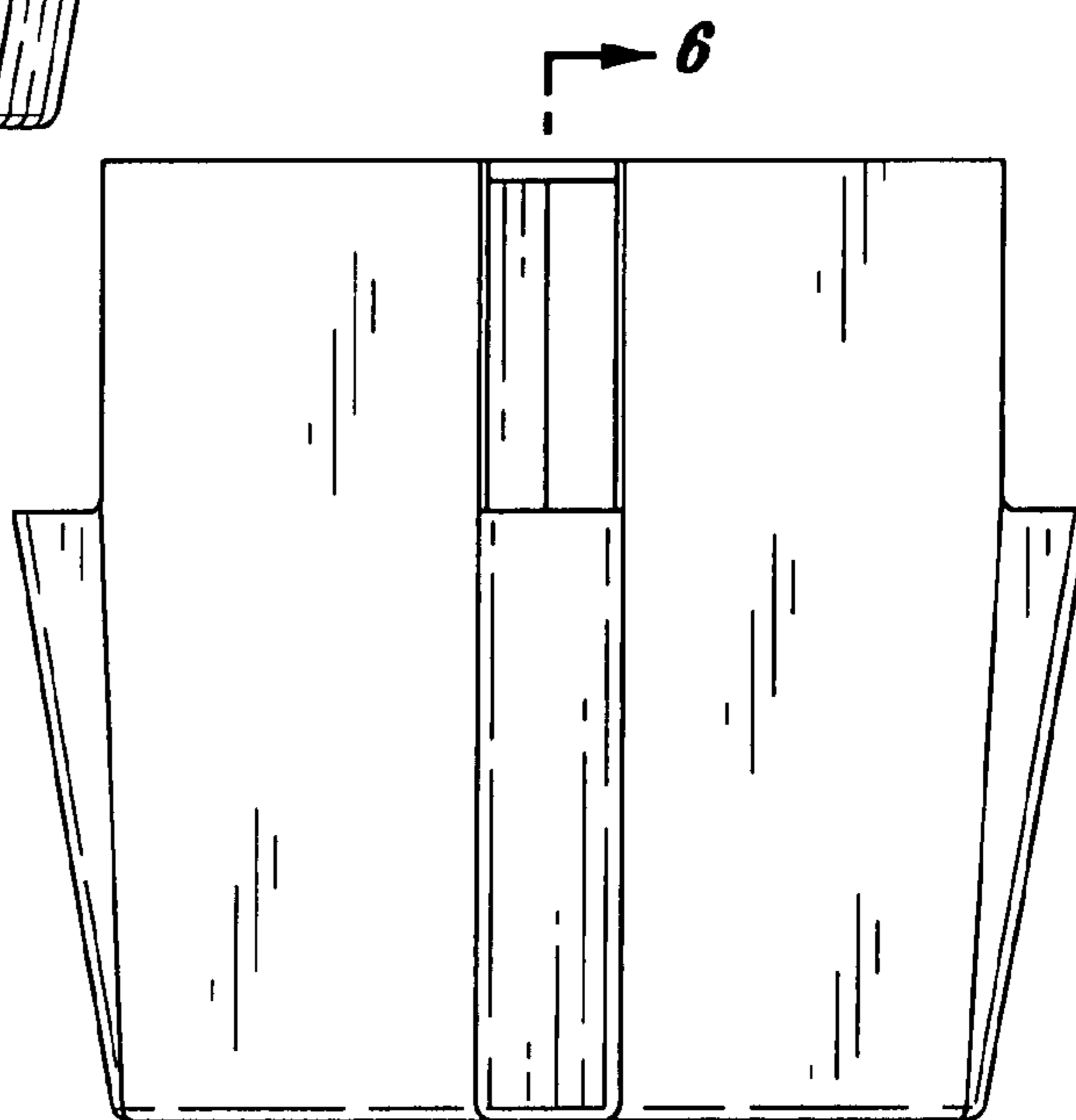


Fig. 5

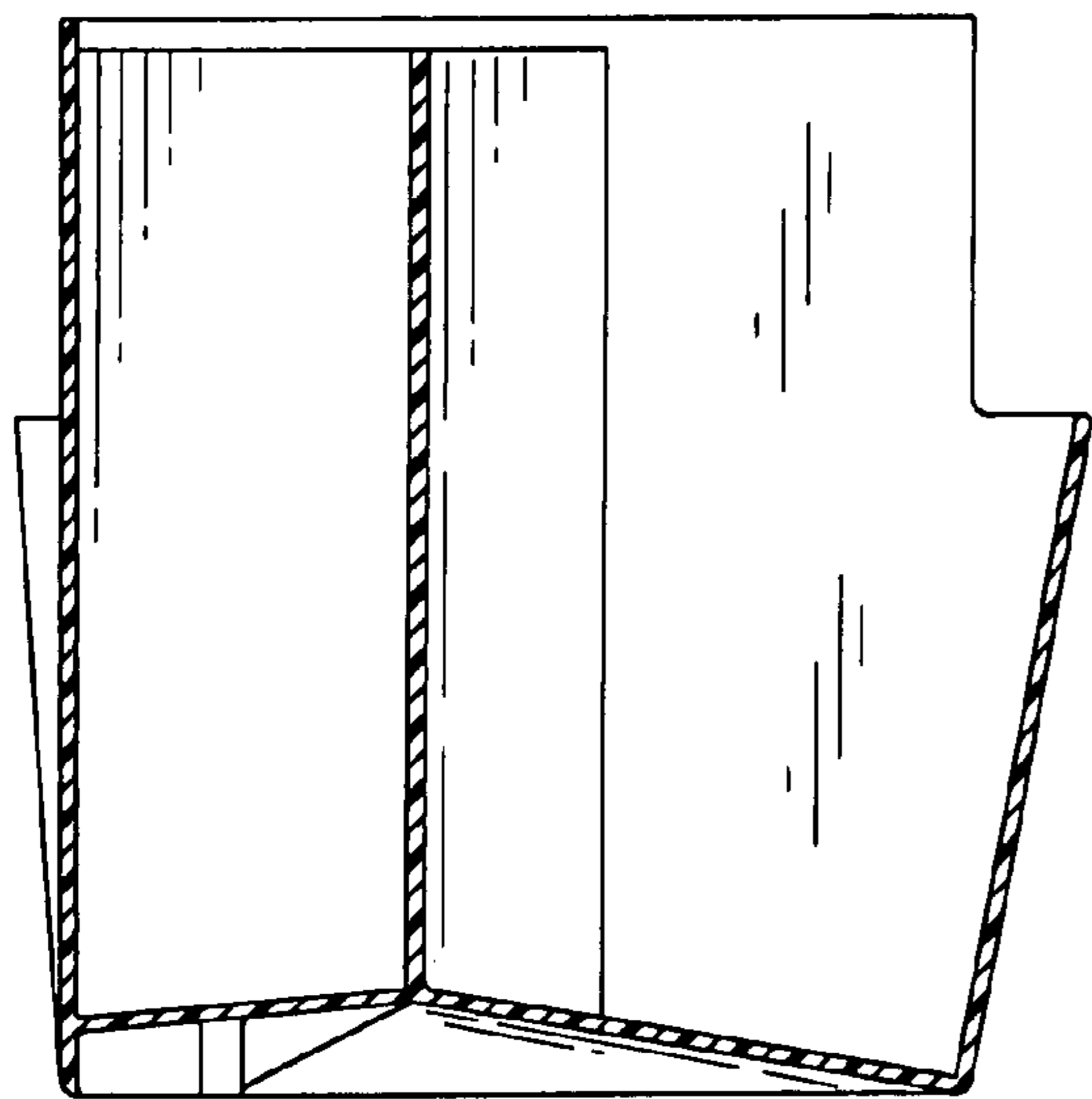


Fig. 6