



(12) **United States Design Patent**  
**Di Serio et al.**

(10) **Patent No.:** **US D571,617 S**  
(45) **Date of Patent:** **\*\* Jun. 24, 2008**

(54) **MULTI-COMPARTMENT FOOD CONTAINER**

(75) Inventors: **Rocco Di Serio**, Toronto (CA); **Herbert Anton Jahn**, Toronto (CA); **Perry Rizzo**, Stouffville (CA)

(73) Assignee: **Axiom Group Inc.**, Aurora, Ontario (CA)

(\*\*) Term: **14 Years**

(21) Appl. No.: **29/279,656**

(22) Filed: **May 4, 2007**

(51) **LOC (8) Cl.** ..... **07-01**

(52) **U.S. Cl.** ..... **D7/629**

(58) **Field of Classification Search** ..... D7/602,  
D7/629, 538-542, 612-615; D3/201-206,  
D3/273, 276, 283, 284, 295; 206/541-550,  
206/581; 220/571-575; D9/424-432  
See application file for complete search history.

(56) **References Cited**

U.S. PATENT DOCUMENTS

3,372,690 A \* 3/1968 Ruiz ..... 126/261

(Continued)

*Primary Examiner*—Terry A Wallace

(74) *Attorney, Agent, or Firm*—Shoemaker and Mattare

(57) **CLAIM**

The ornamental design for a multi-compartment food container, as shown and described.

**DESCRIPTION**

FIG. 1 is a perspective view of the multi-compartment food container shown in a closed position;

FIG. 2 is a front view of the multi-compartment food container of FIG. 1;

FIG. 3 is a rear view of the multi-compartment food container of FIG. 1;

FIG. 4 is a left-side view of the multi-compartment food container of FIG. 1;

FIG. 5 is a right-side view of the multi-compartment food container of FIG. 1;

FIG. 6 is a top view of the multi-compartment food container of FIG. 1;

FIG. 7 is a bottom view of the multi-compartment food container of FIG. 1;

FIG. 8 is a perspective view of the multi-compartment food container of FIG. 1, shown with the lid in an open position;

FIG. 9 is a front view of the multi-compartment food container of FIG. 8;

FIG. 10 is a rear view of the multi-compartment food container of FIG. 8;

FIG. 11 is a left-side view of the multi-compartment food container of FIG. 8;

FIG. 12 is a right-side view of the multi-compartment food container of FIG. 8;

FIG. 13 is a top view of the multi-compartment food container of FIG. 8;

FIG. 14 is a bottom view of the multi-compartment food container of FIG. 8;

FIG. 15 is a perspective view of an alternate embodiment of the multi-compartment food container of FIG. 1, shown with the lid in an open position;

FIG. 16 is a front view of the multi-compartment food container of FIG. 15;

FIG. 17 is a rear view of the multi-compartment food container of FIG. 15;

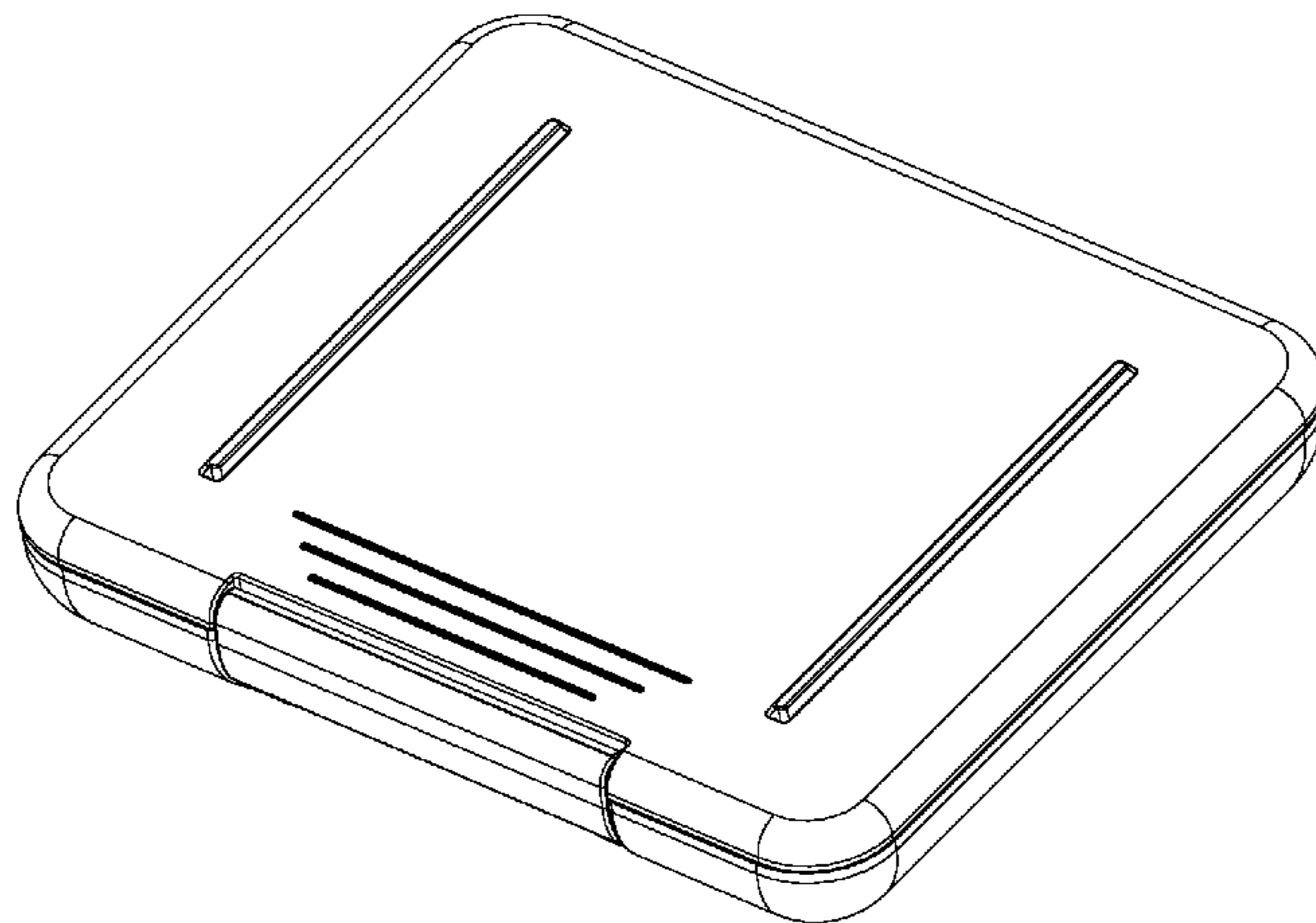
FIG. 18 is a left-side view of the multi-compartment food container of FIG. 15;

FIG. 19 is a right-side view of the multi-compartment food container of FIG. 15;

FIG. 20 is a top view of the multi-compartment food container of FIG. 15; and,

FIG. 21 is a bottom view of the multi-compartment food container of FIG. 15.

**1 Claim, 21 Drawing Sheets**



# US D571,617 S

Page 2

---

## U.S. PATENT DOCUMENTS

D276,116 S *	10/1984	Basil .....	D7/541	D409,484 S *	5/1999	Tasker .....	D9/423
D300,101 S *	3/1989	Ritman .....	D7/541	D437,685 S *	2/2001	Liu .....	D3/294
D304,008 S *	10/1989	Hornung .....	D7/629	6,199,559 B1 *	3/2001	Nikolaus et al. ....	206/581
5,323,926 A *	6/1994	Pomroy et al. ....	206/541	D516,388 S *	3/2006	Wells .....	D7/629

\* cited by examiner

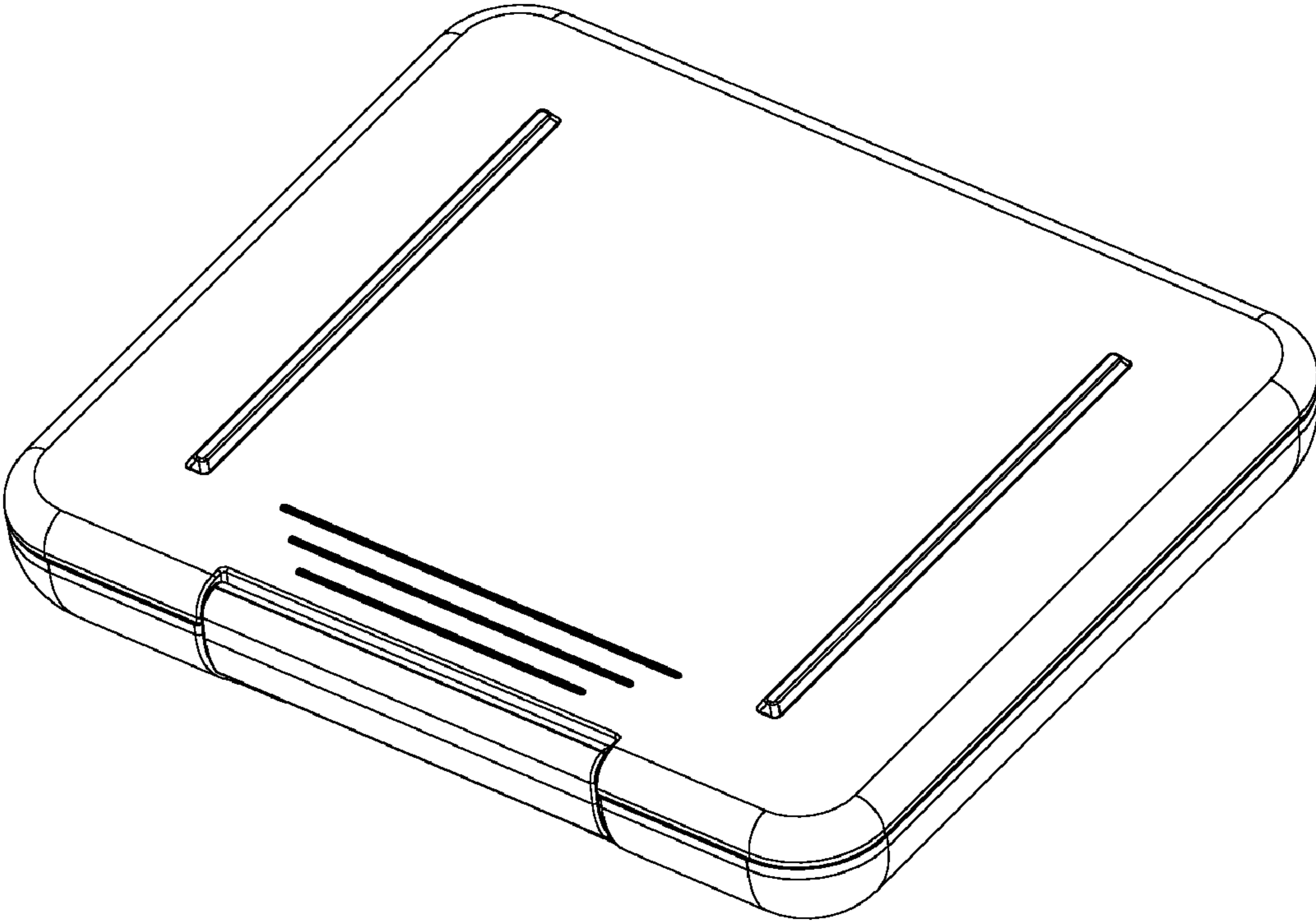


Figure 1

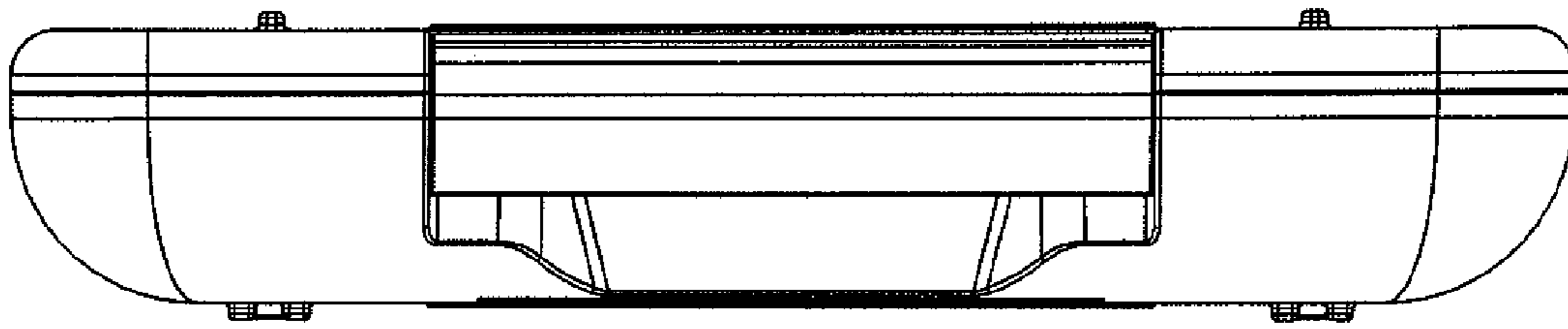


Figure 2

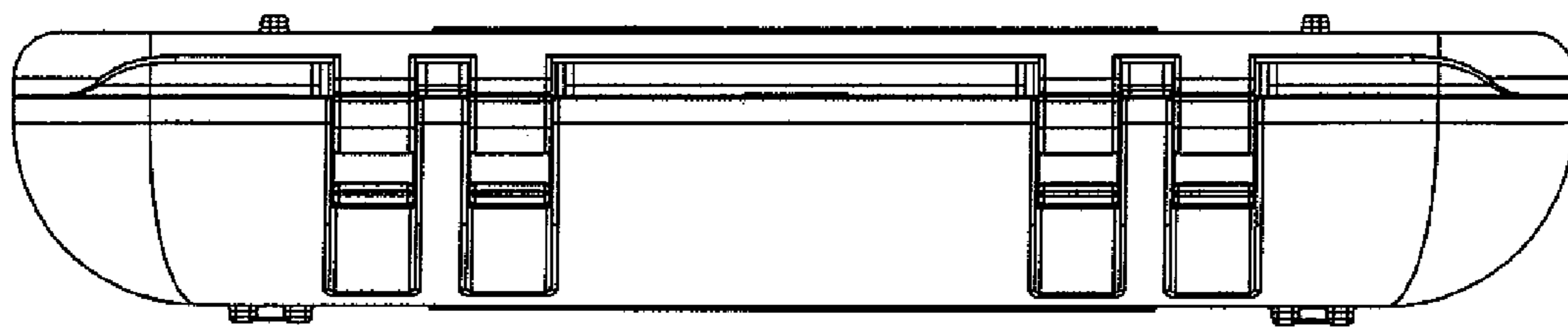


Figure 3

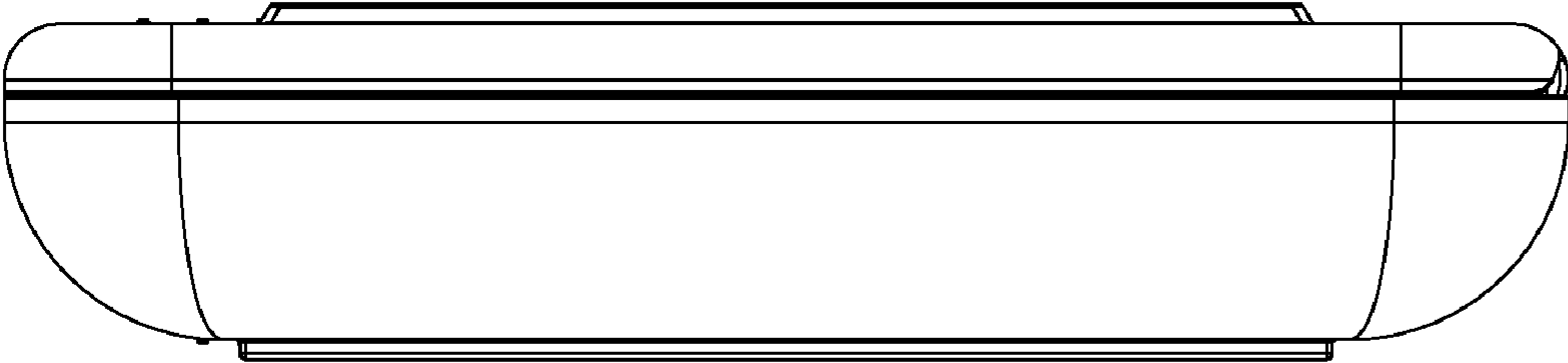


Figure 4

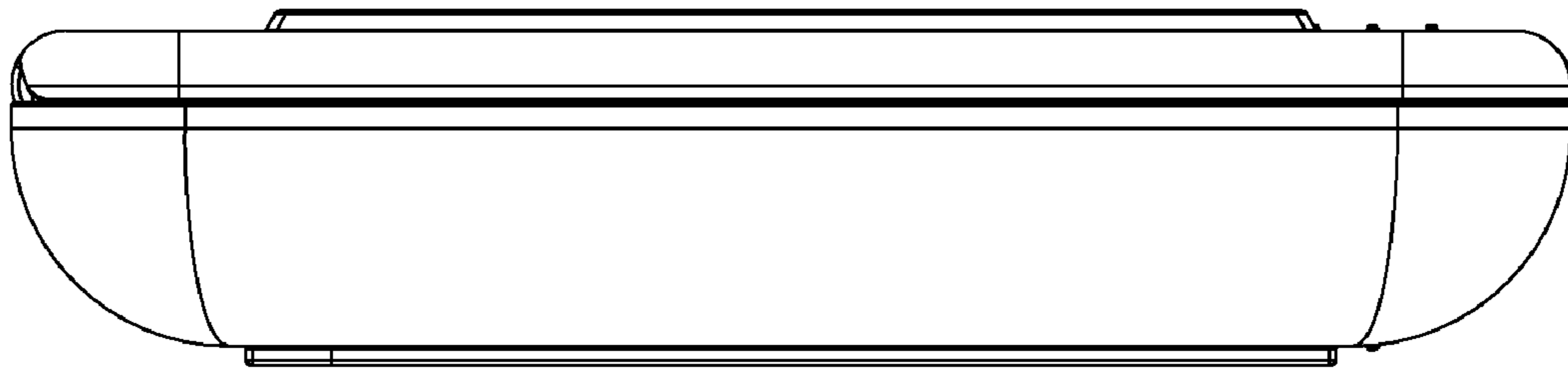


Figure 5

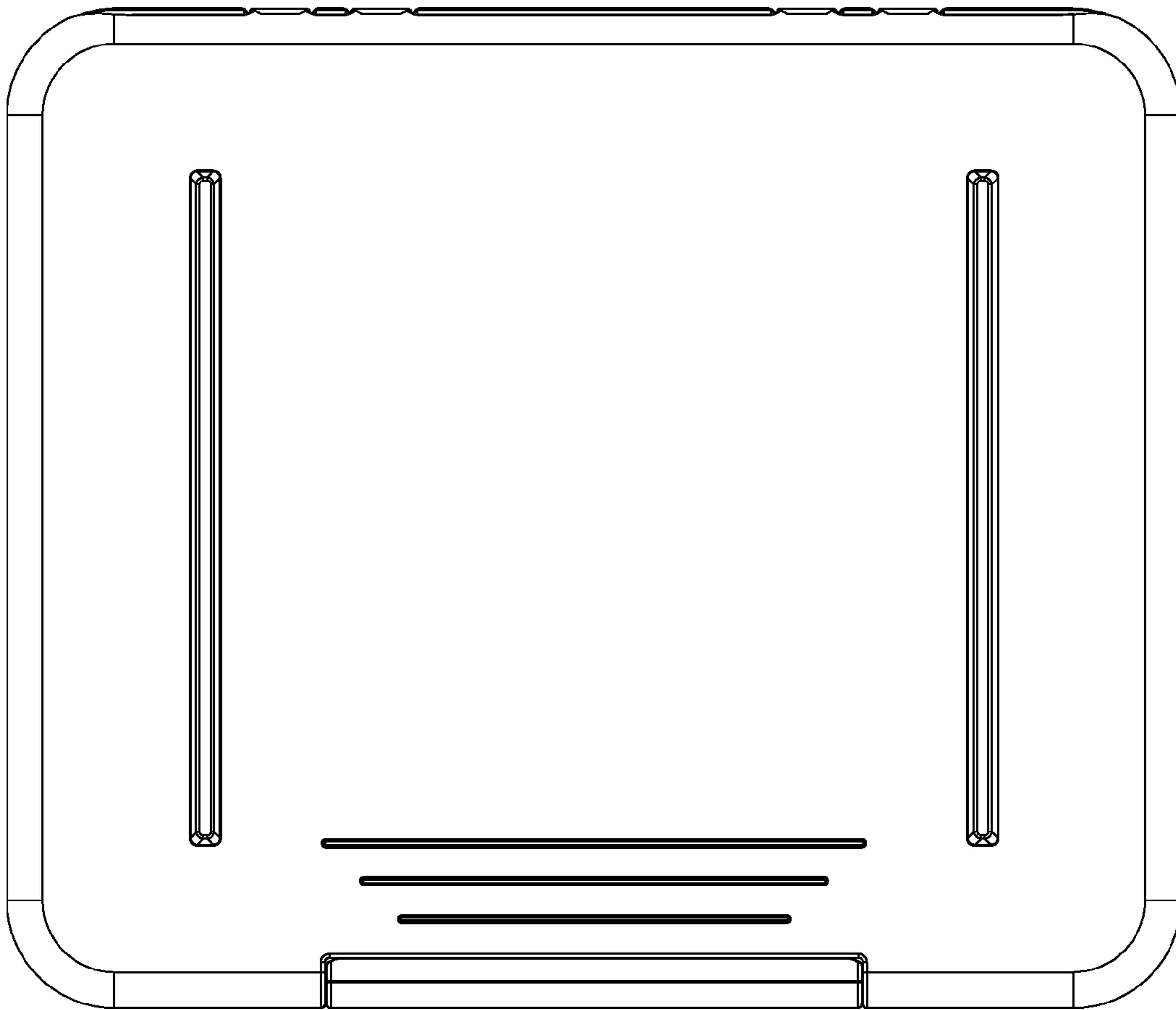


Figure 6



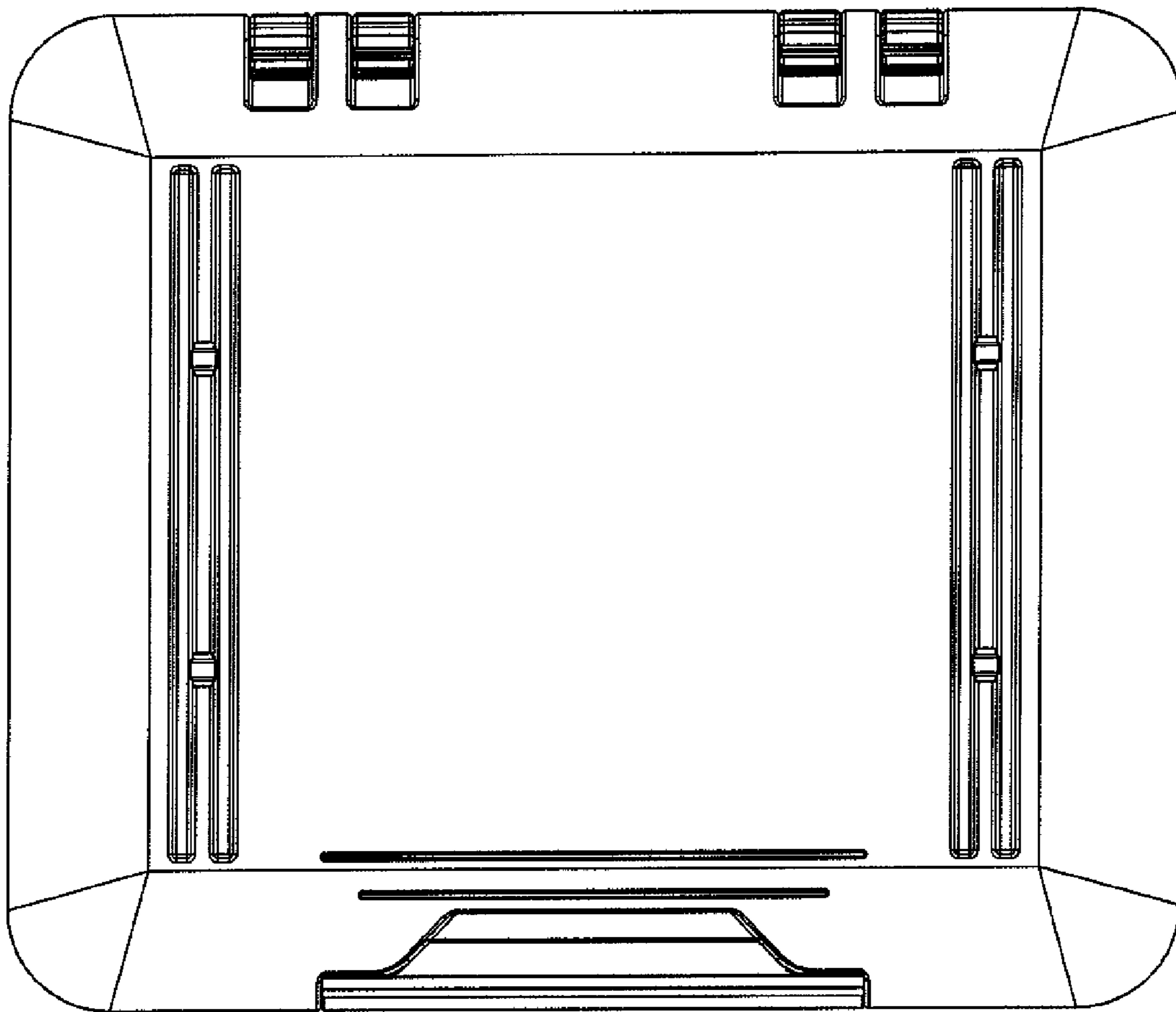


Figure 7



Figure 8

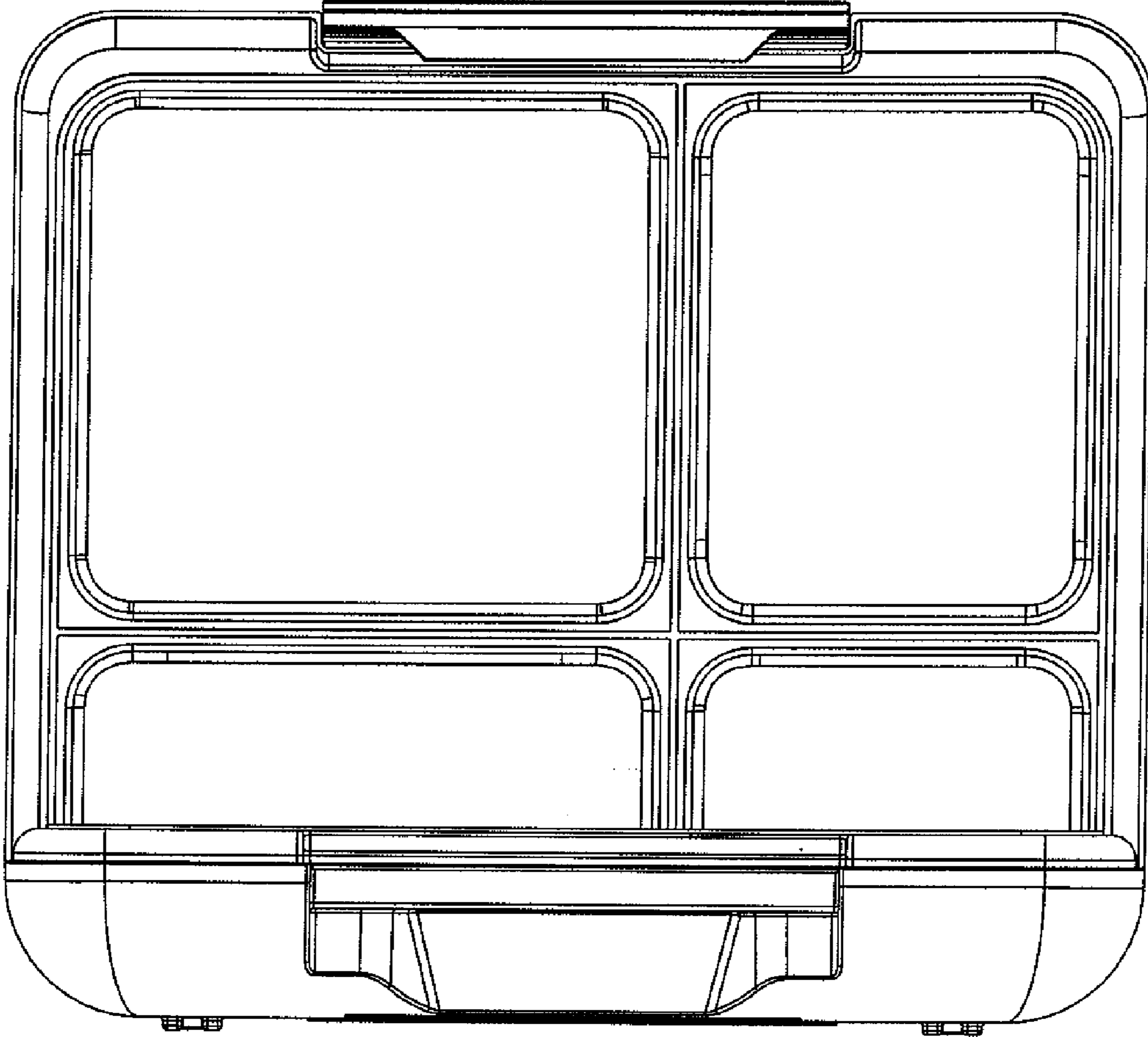


Figure 9

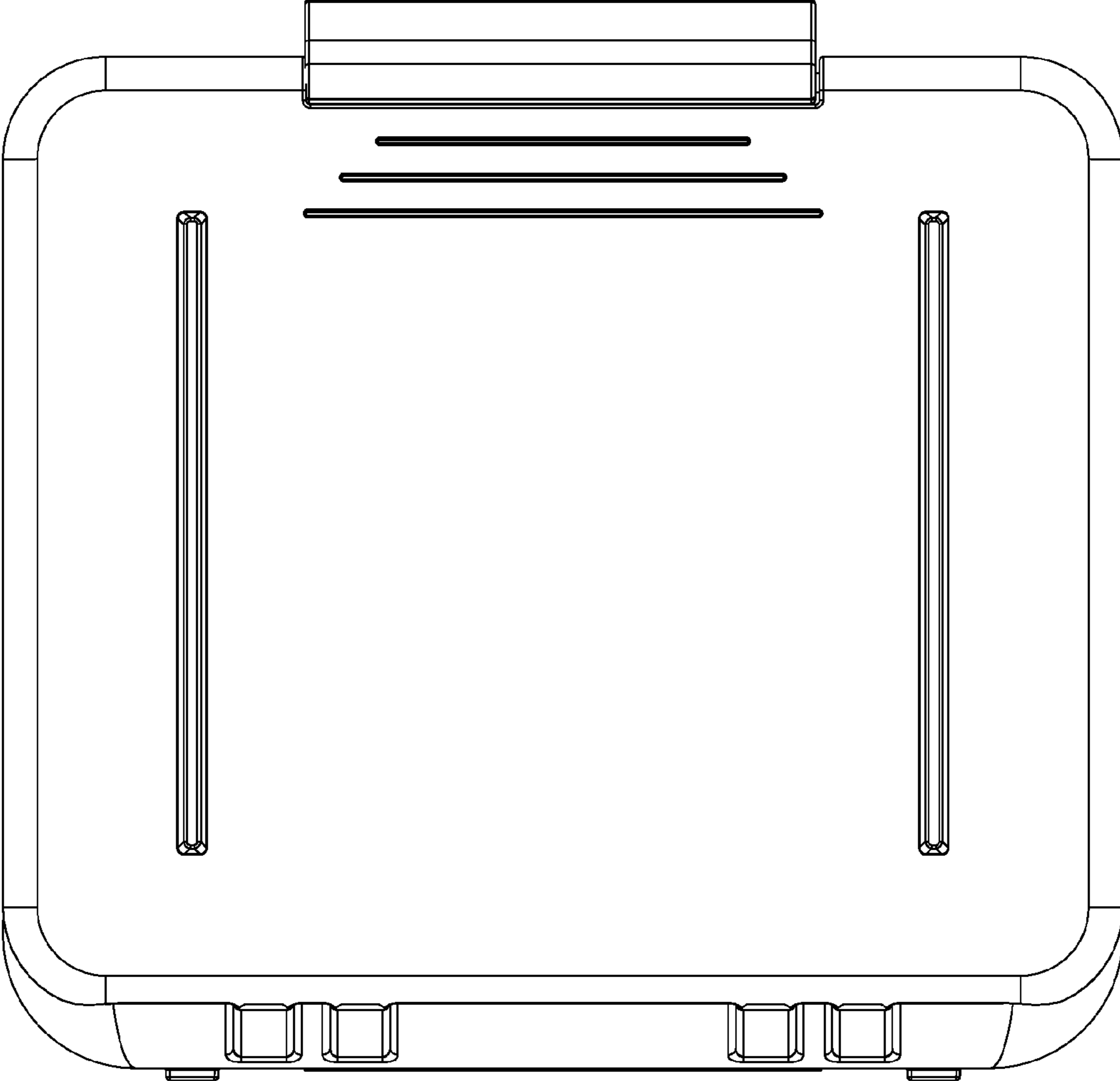


Figure 10

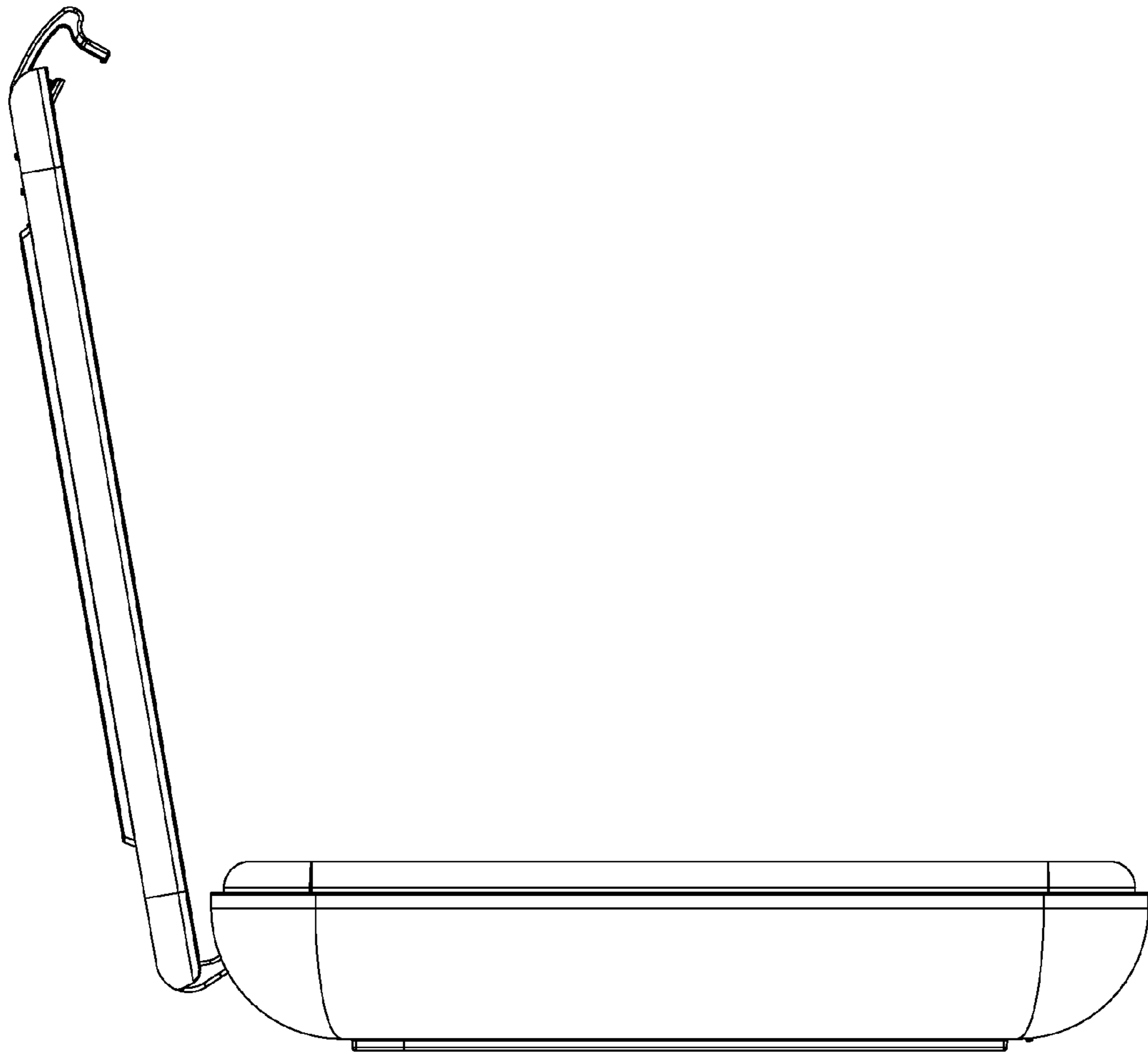


Figure 11

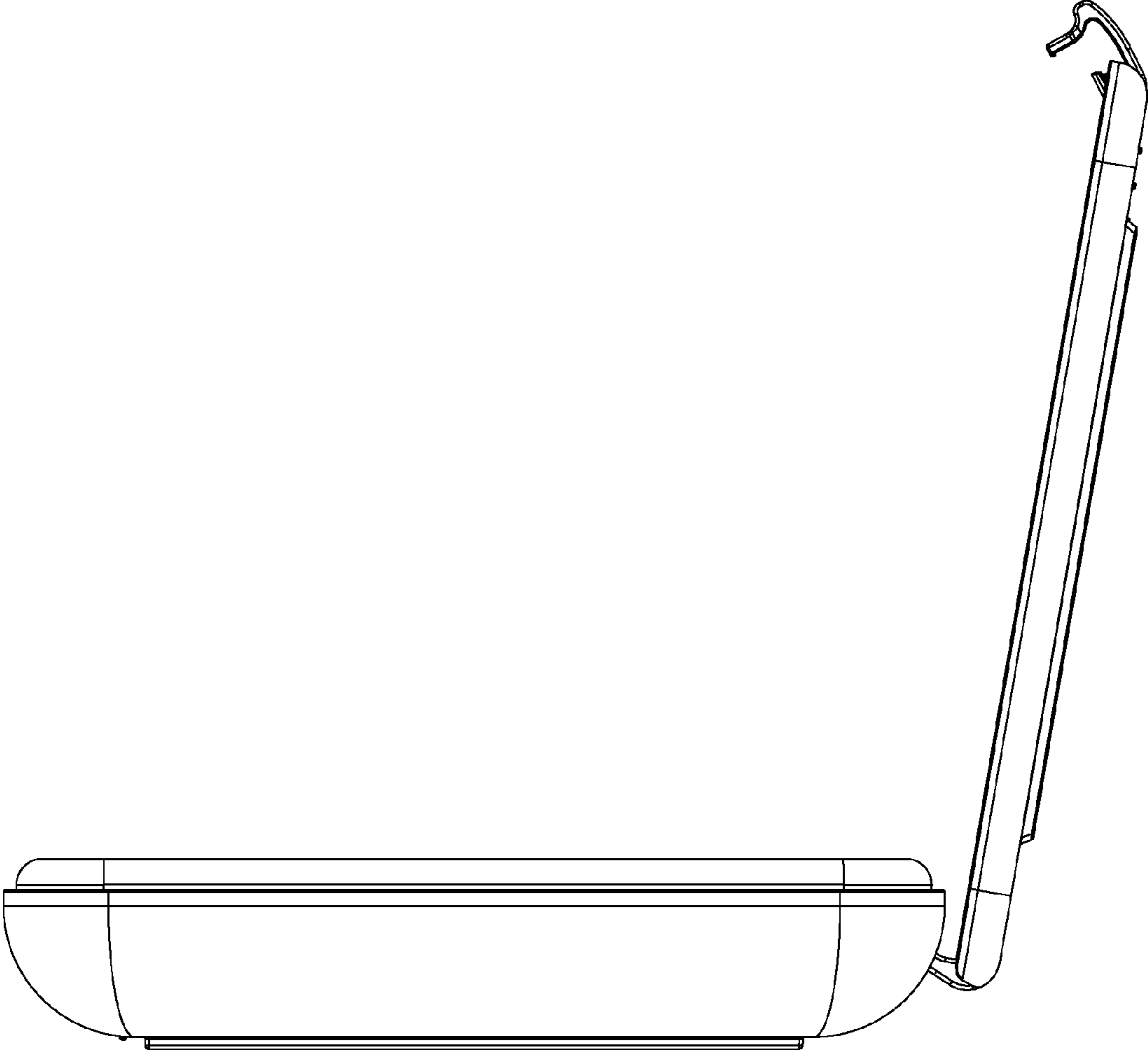


Figure 12

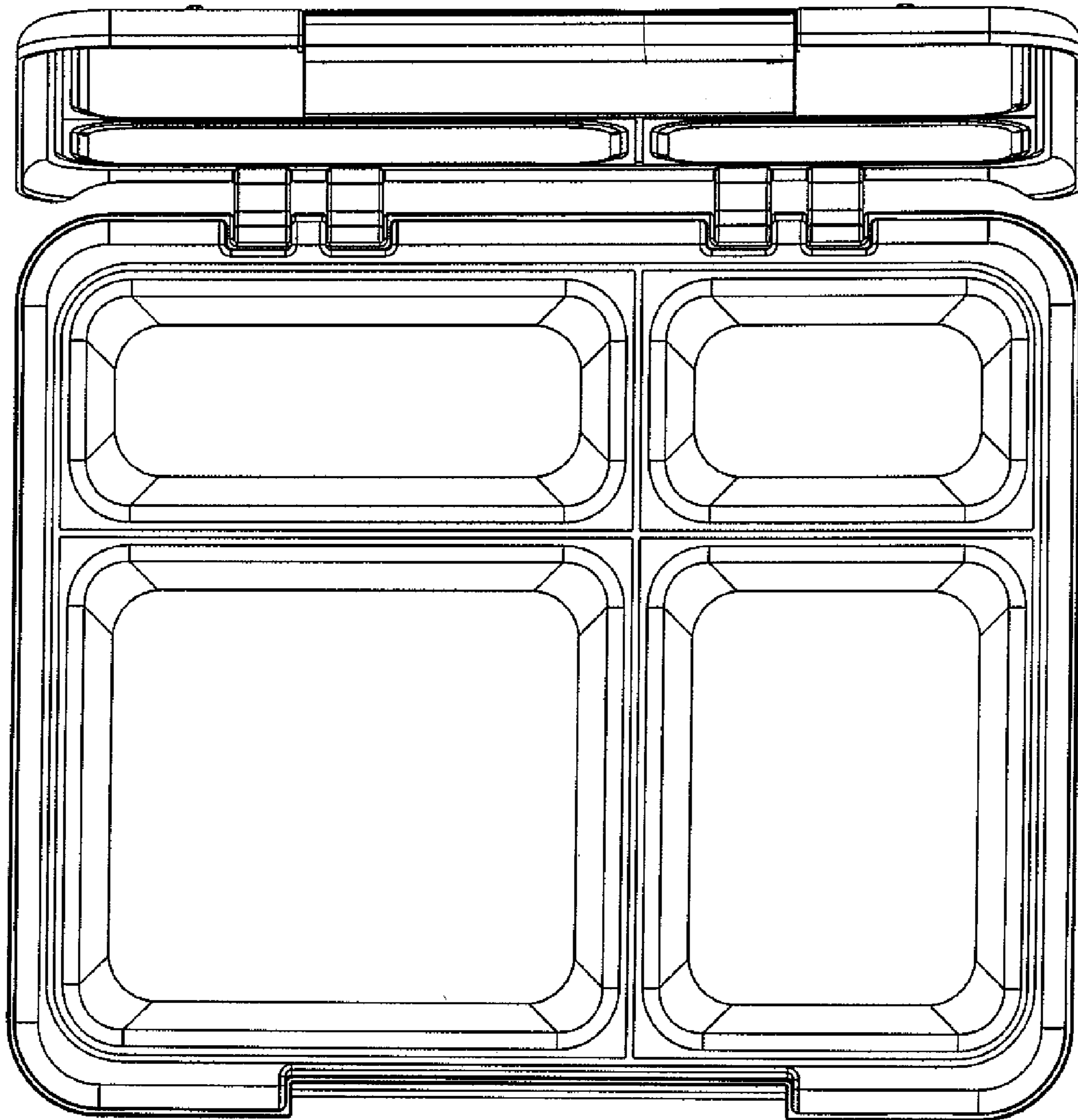


Figure 13

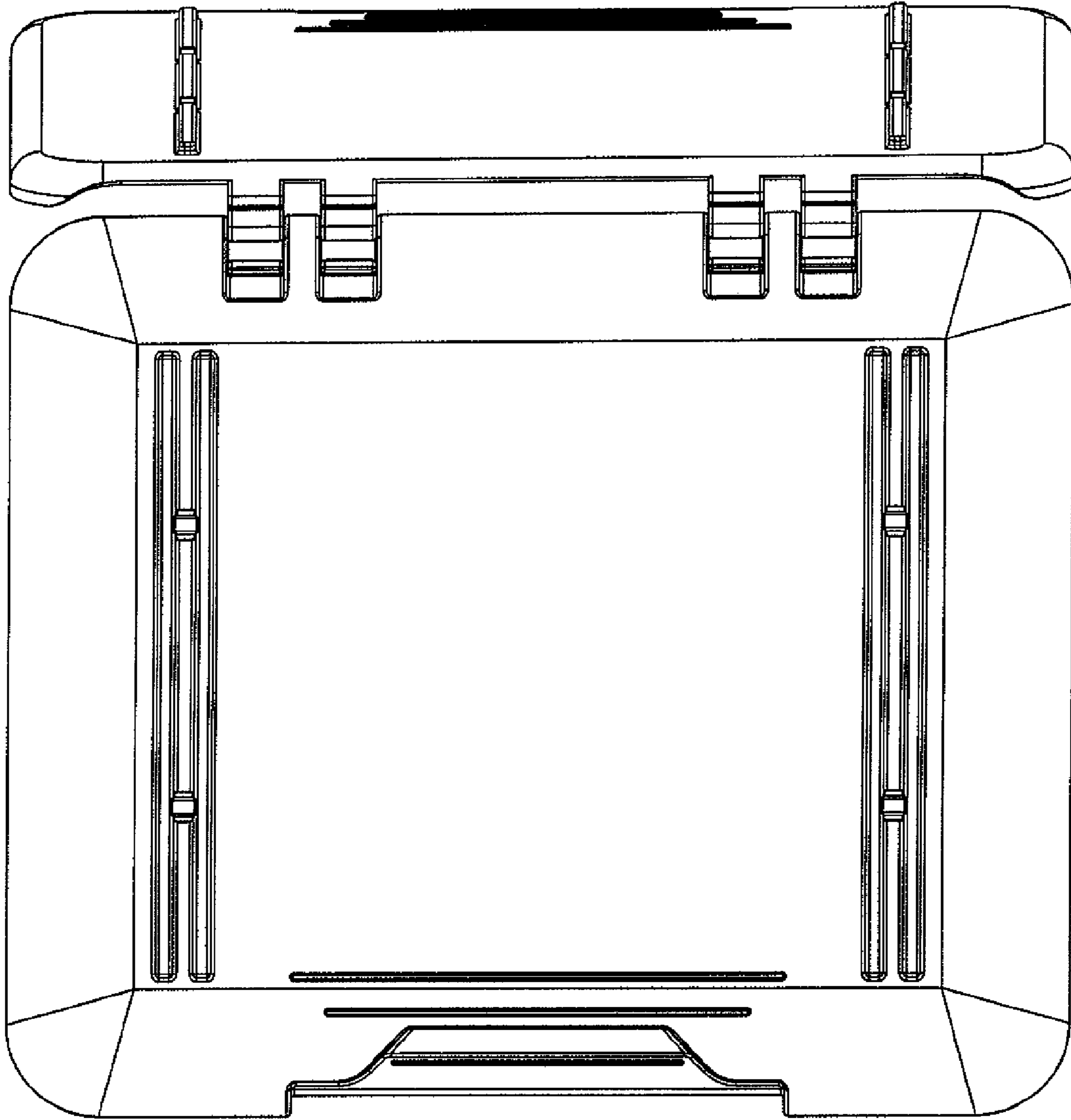


Figure 14





Figure 15

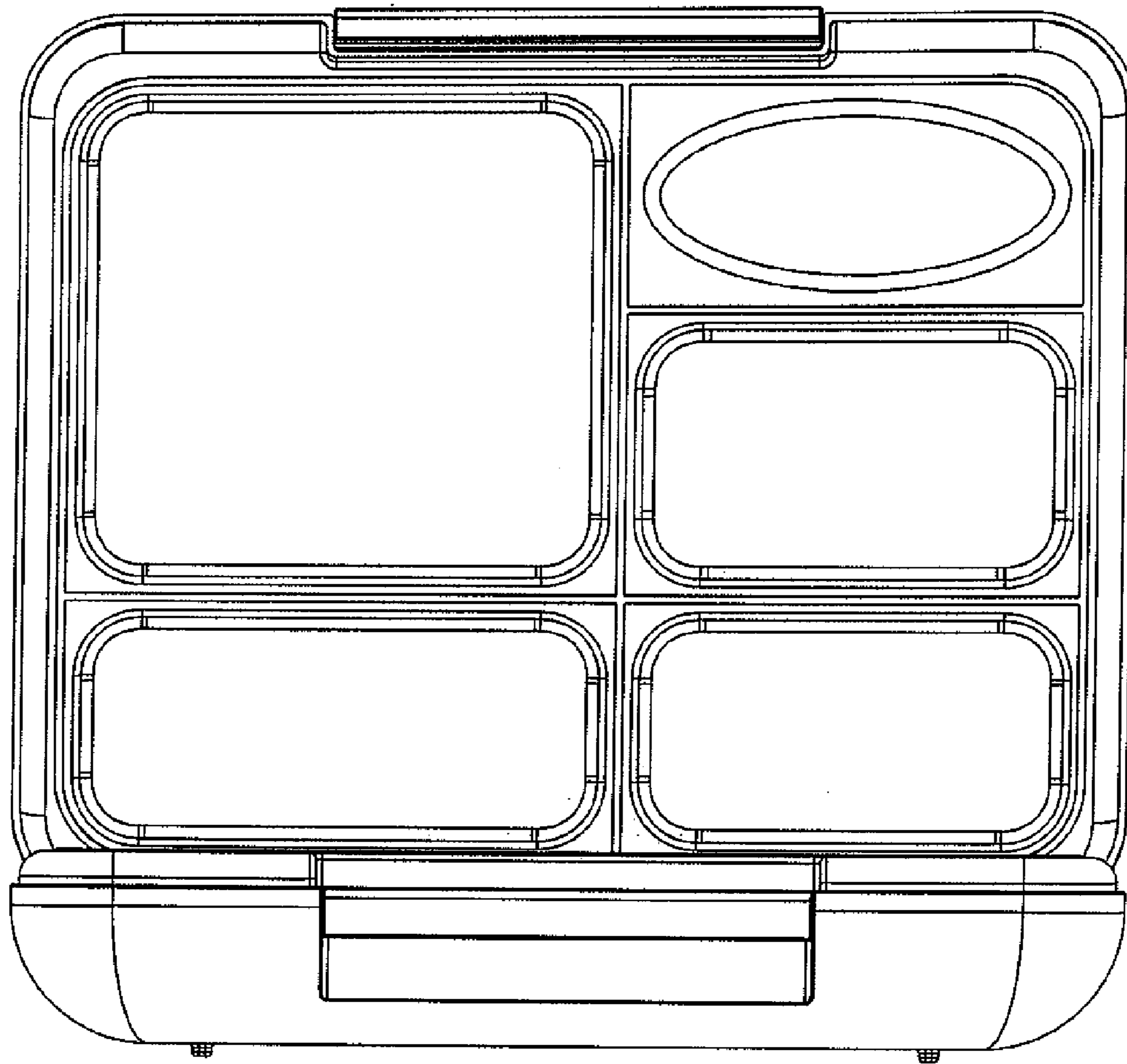


Figure 16

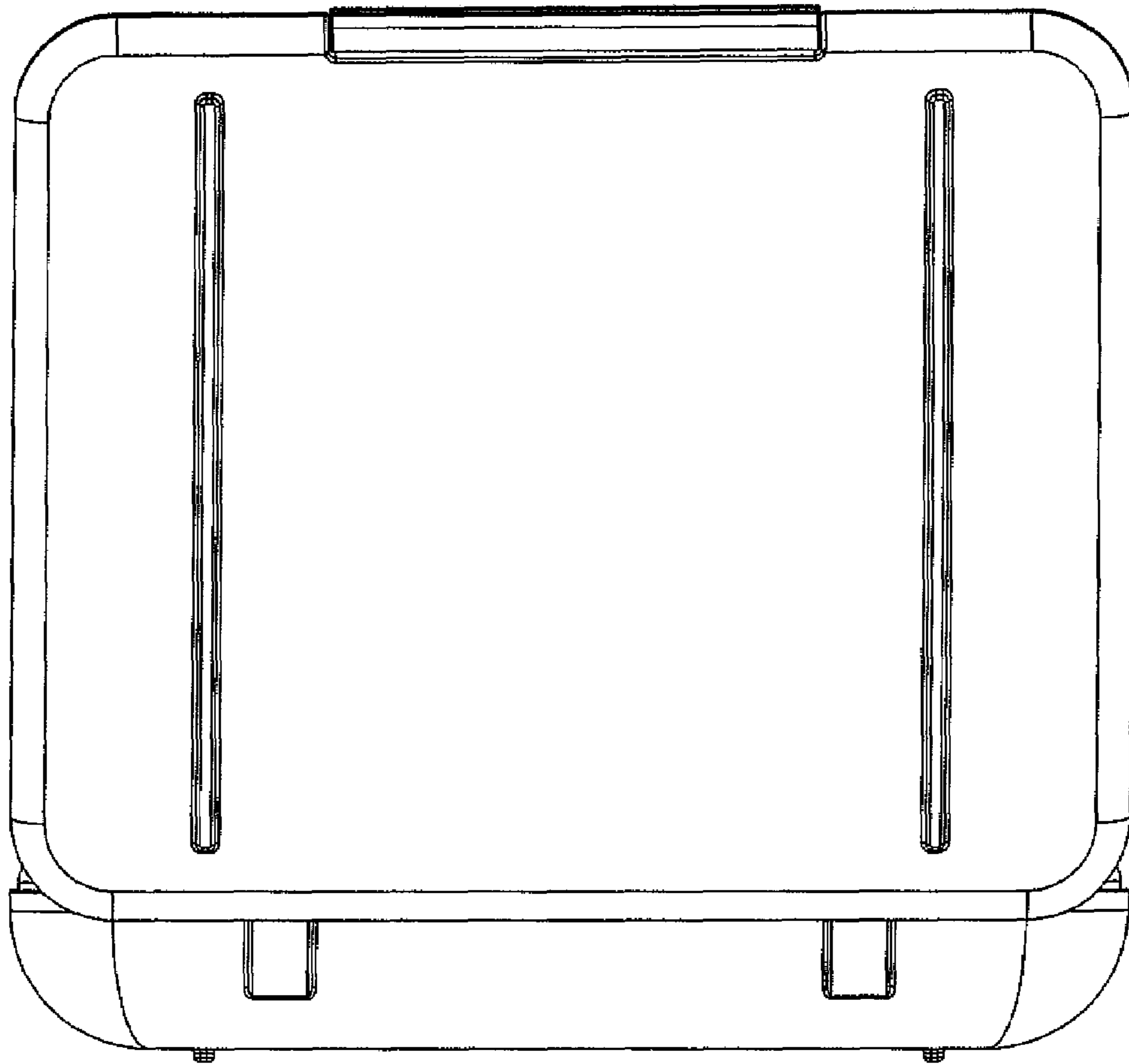


Figure 17

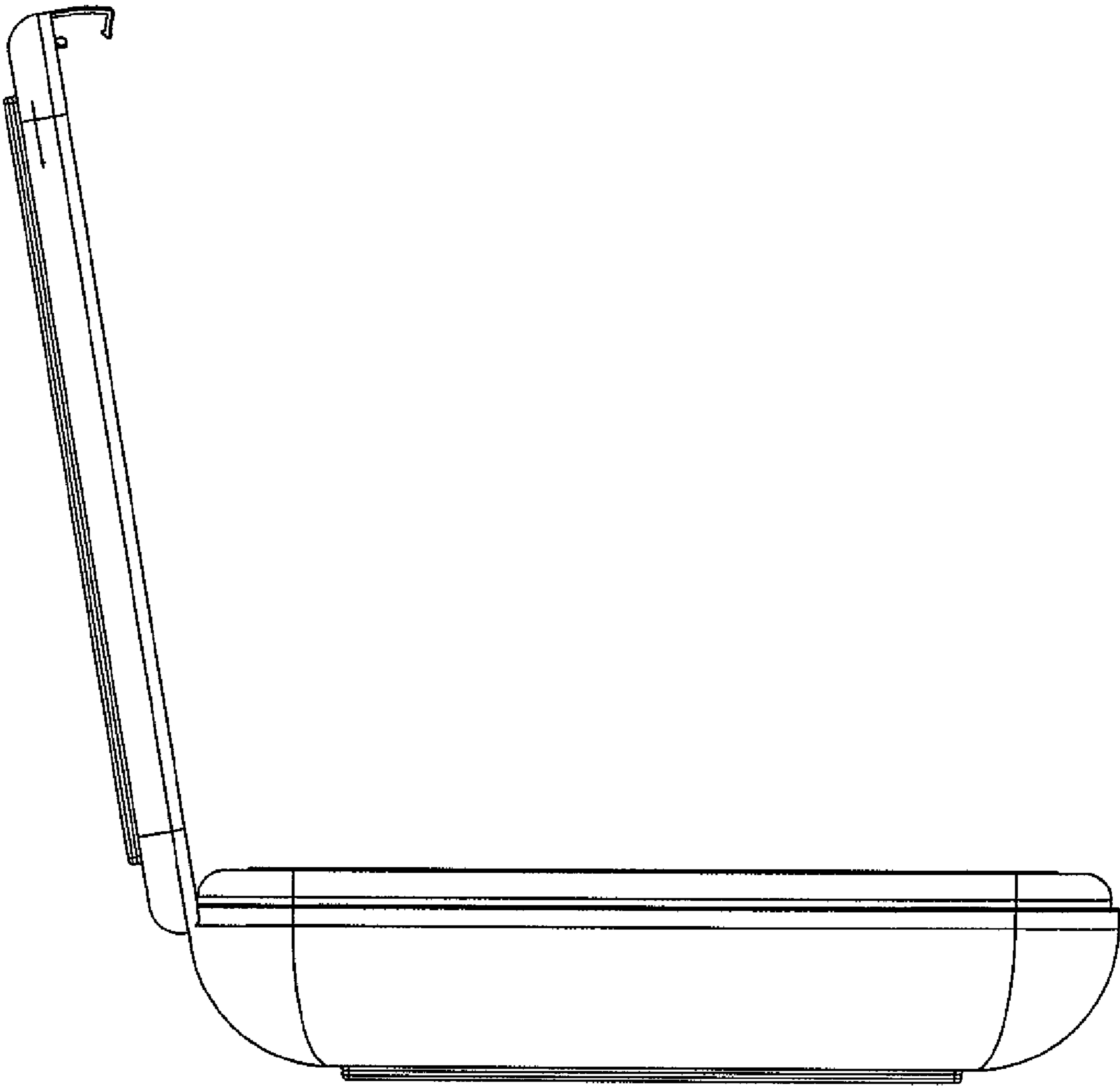


Figure 18

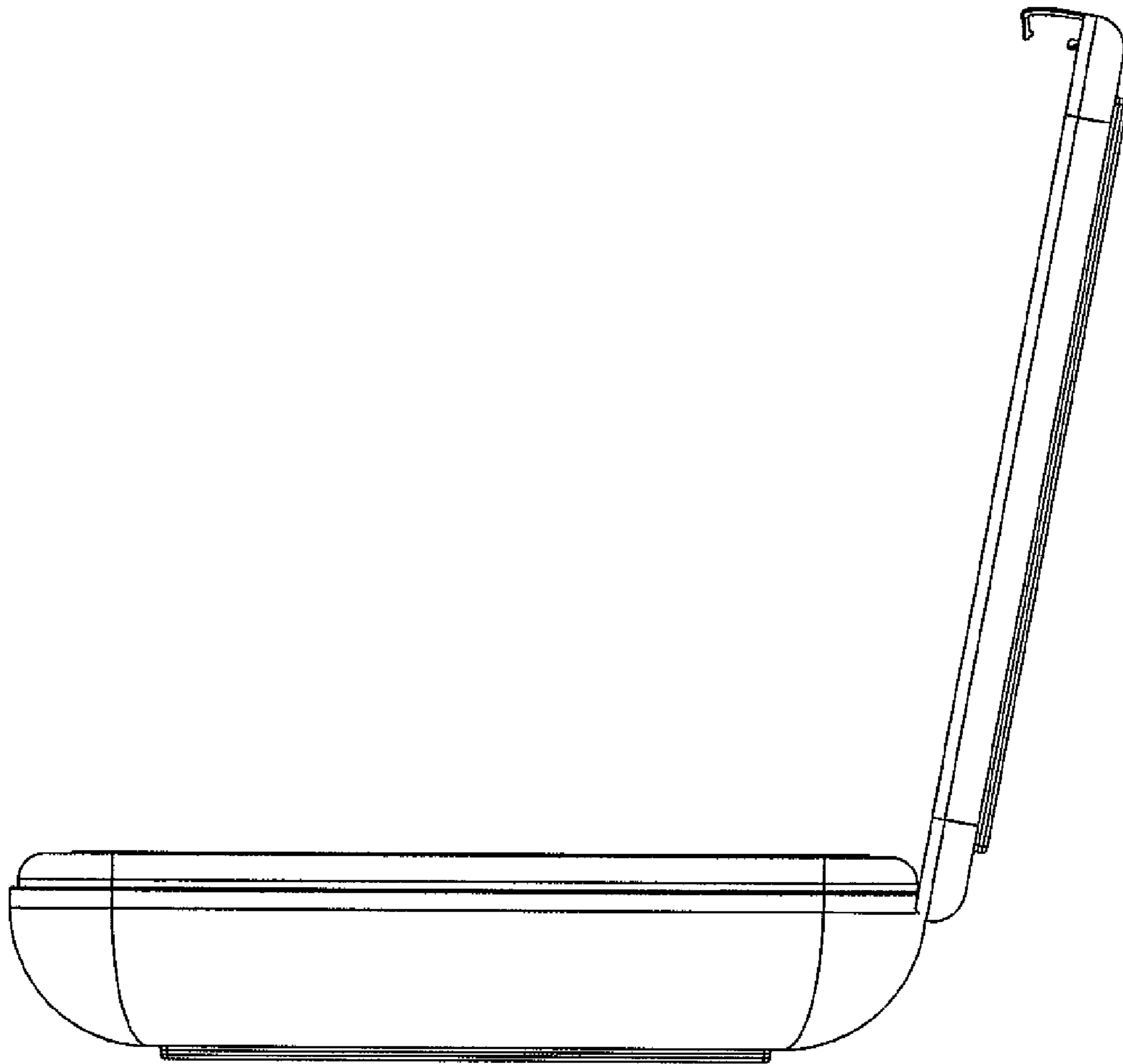


Figure 19

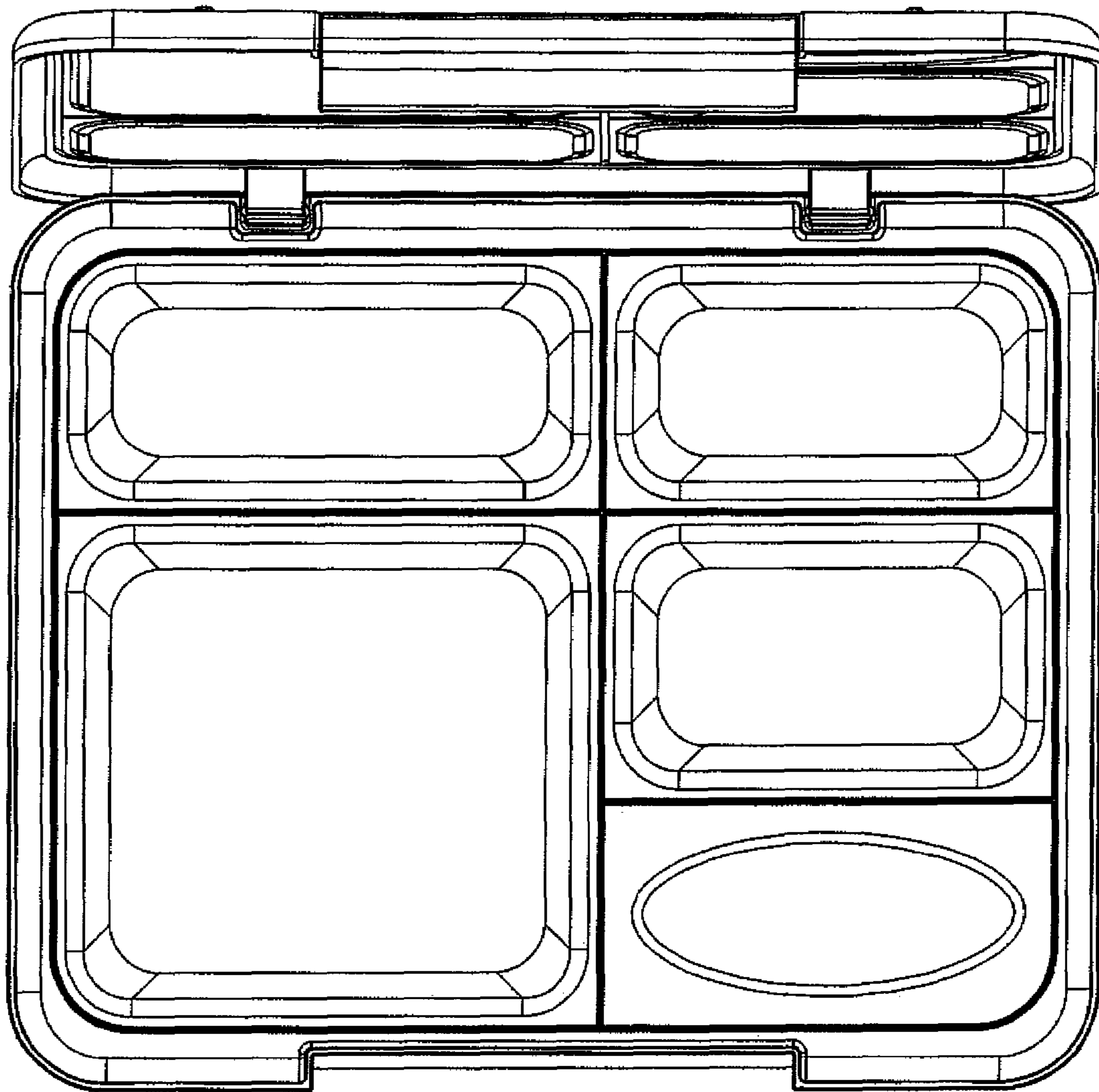


Figure 20

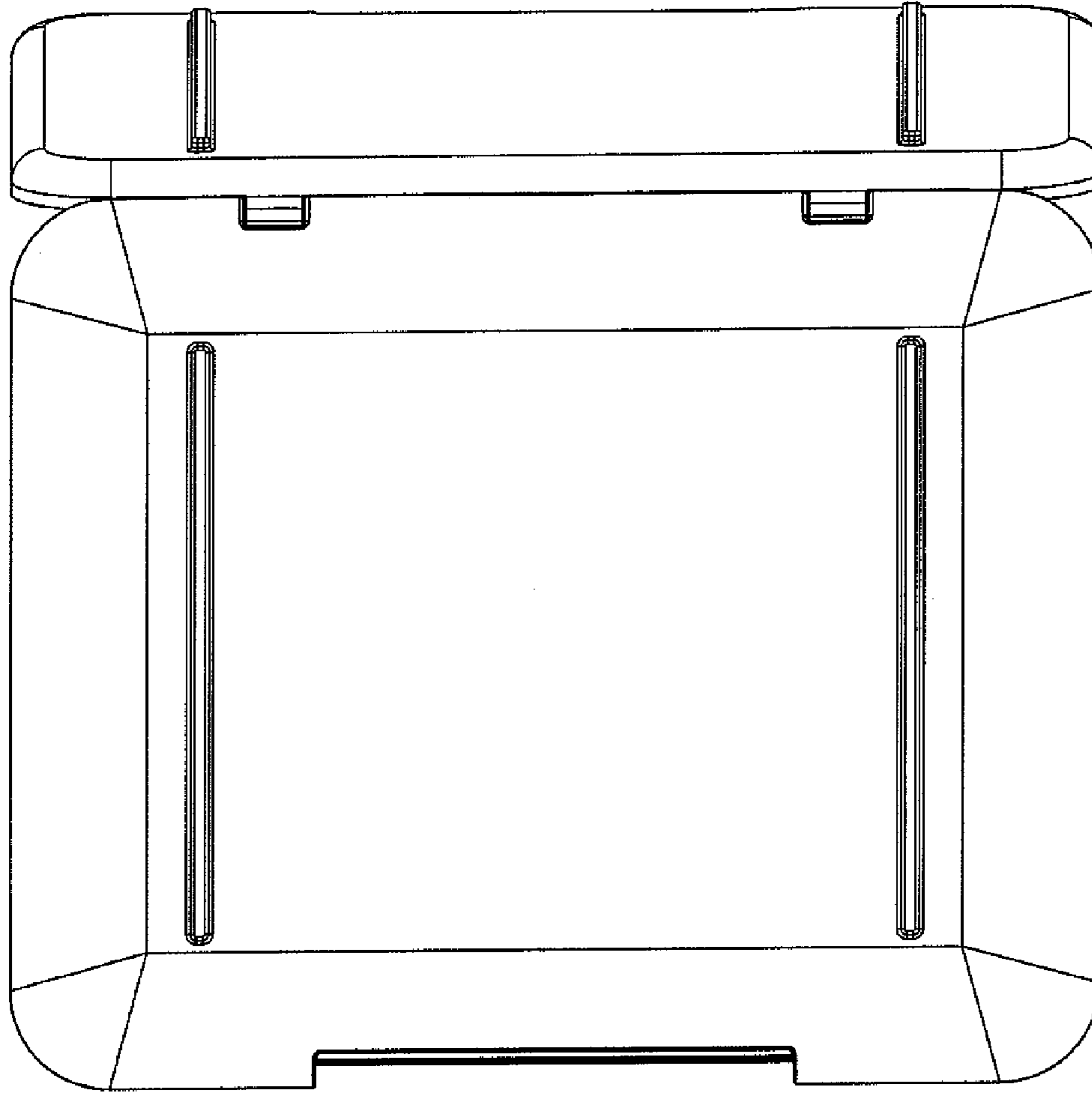


Figure 21