



US00D571614S

(12) **United States Design Patent**
Curtin

(10) **Patent No.:** **US D571,614 S**
(45) **Date of Patent:** **** Jun. 24, 2008**

(54) **COLLAPSIBLE BOWL**

D272,972 S 3/1984 De Coster

(75) Inventor: **Heather Curtin**, Renton, WA (US)

(Continued)

(73) Assignee: **Progressive International Corporation**,
Kent, WA (US)

FOREIGN PATENT DOCUMENTS

GB 2028675 3/1980

(**) Term: **14 Years**

(Continued)

(21) Appl. No.: **29/277,399**

OTHER PUBLICATIONS

(22) Filed: **Feb. 23, 2007**

“One Source for Silicone Innovation”, Dexas International, Ltd.;
www.dexas.com; 1 page; 2006.

(51) **LOC (8) Cl.** **07-01**

(Continued)

(52) **U.S. Cl.** **D7/545; D7/560**

(58) **Field of Classification Search** D7/542,
D7/545, 550.1, 552.1, 553.1, 553.6, 554.2,
D7/555, 669, 682, 688, 683, 686, 354, 356,
D7/360, 376, 380, 553.4, 553.7, 642, 566,
D7/570, 501, 560; D9/428, 429, 431, 500,
D9/502, 737, 761, 420, 422-426, 414-418;
220/904, 23.83, 574, 212, 657, 659, 755,
220/771, 555-557, 500, 506, 528, 529; 206/821,
206/822, 223, 541, 557, 564; 426/106, 119,
426/120, 127

See application file for complete search history.

Primary Examiner—Charles A. Rademaker

Assistant Examiner—Charles D Hanson

(74) *Attorney, Agent, or Firm*—Black Lowe & Graham,
PLLC

(57) **CLAIM**

I claim the ornamental design for the collapsible bowl, as
shown and described.

DESCRIPTION

(56) **References Cited**

U.S. PATENT DOCUMENTS

199,320 A	1/1878	Seng	
1,675,855 A	7/1928	Kogler et al.	
2,456,912 A	12/1948	Burrows	
2,464,921 A	3/1949	Chandler	
2,520,382 A	8/1950	Conrad et al.	
2,725,087 A	11/1955	Potter	
2,808,938 A	10/1957	Glover	
3,220,544 A	11/1965	Lovell	
3,300,048 A	1/1967	Pollock	
4,220,534 A	9/1980	Perry	
4,419,103 A	12/1983	Balkan	
D272,794 S *	2/1984	Dart D7/532

FIG. 1 is a top view of a collapsible bowl showing my new
design;

FIG. 2 is a front view thereof;

FIG. 3 is a back view thereof;

FIG. 4 is a bottom view thereof;

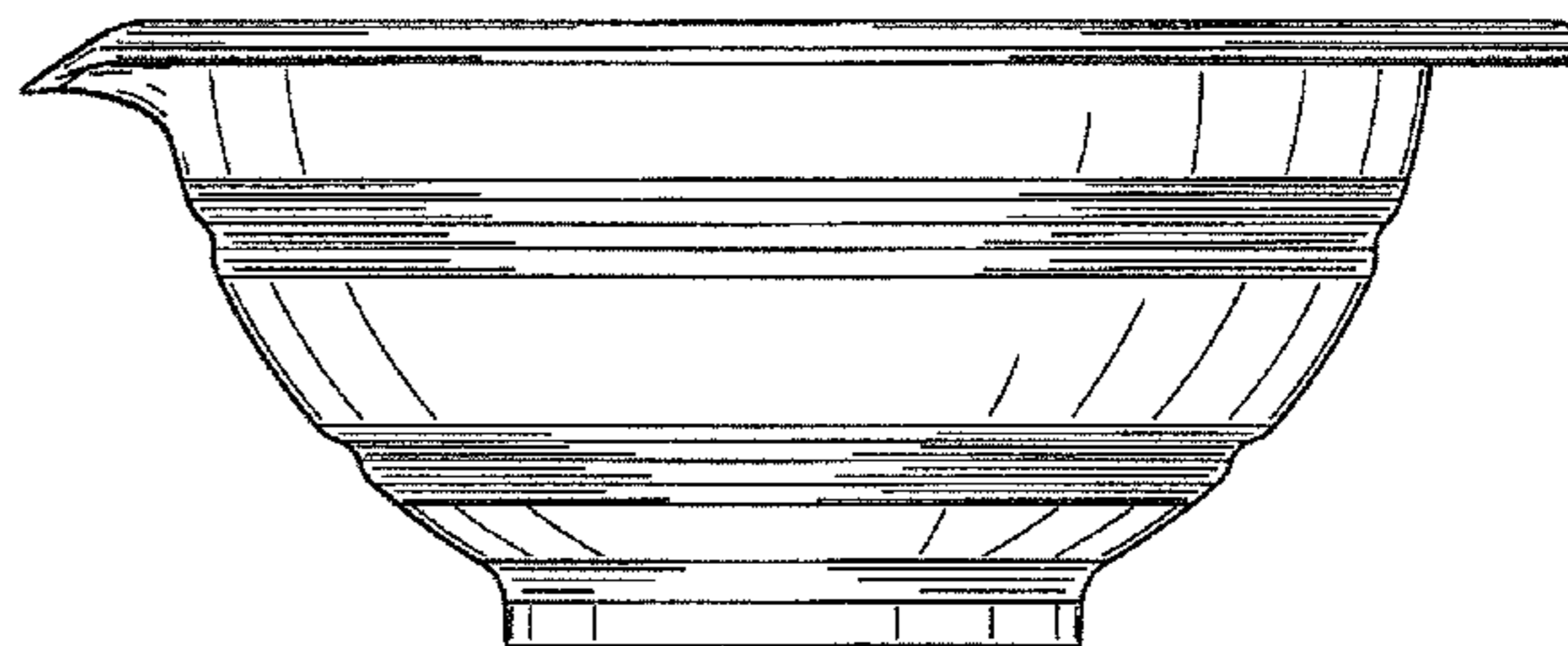
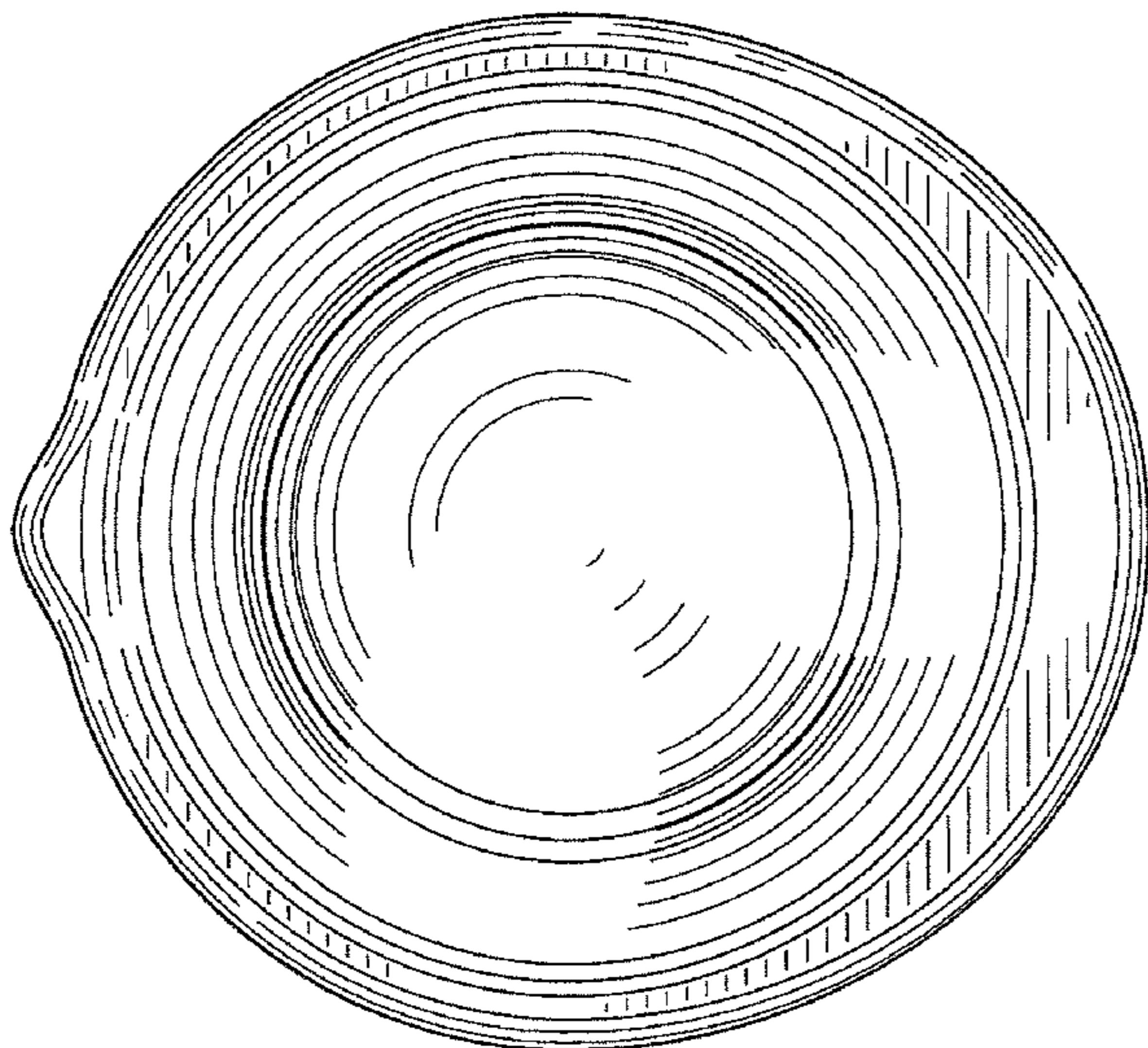
FIG. 5 is a left side view thereof;

FIG. 6 is a right side view thereof;

FIG. 7 is a perspective view thereof; and,

FIG. 8 is a perspective view thereof, shown in a collapsed
position.

1 Claim, 4 Drawing Sheets



US D571,614 S

Page 2

U.S. PATENT DOCUMENTS

D286,490 S 11/1986 Carlson
4,622,146 A 11/1986 O'Brien
5,035,800 A 7/1991 Kopach
5,226,551 A 7/1993 Robbins, III
5,384,173 A 1/1995 Akao et al.
5,392,941 A 2/1995 Robbins, III
D359,202 S 6/1995 Cousins et al.
5,423,452 A * 6/1995 Tardif 220/574
5,439,128 A 8/1995 Fishman
5,549,213 A 8/1996 Robbins, III et al.
5,584,413 A 12/1996 Jung
5,810,194 A * 9/1998 Samsel 220/574
5,900,293 A 5/1999 Zettle
5,911,338 A 6/1999 Miller
5,913,448 A 6/1999 Mann et al.
6,035,766 A 3/2000 Schirmer
D433,884 S 11/2000 Fujimoto
6,202,542 B1 3/2001 Melton
6,315,151 B1 11/2001 Hupp et al.
6,364,152 B1 4/2002 Poslinski et al.
D477,186 S * 7/2003 de Groote et al. D7/543
D481,583 S * 11/2003 Fino et al. D7/354
D483,225 S * 12/2003 Gain D7/512
D484,363 S * 12/2003 de Groote et al. D7/543
6,736,285 B2 5/2004 Stewart-Stand
6,758,348 B2 7/2004 Adkins
6,811,051 B2 11/2004 Higuchi

D502,847 S 3/2005 Leonori
D521,319 S * 5/2006 Haataja D7/543
D522,313 S * 6/2006 Oyler et al. D7/543
D522,809 S * 6/2006 Kusuma et al. D7/602
D524,589 S * 7/2006 Sellers et al. D7/316
D538,599 S * 3/2007 Miller D7/586
D545,137 S 6/2007 Furlong et al.
D545,629 S * 7/2007 Mellen et al. D7/543
2003/0217649 A1 11/2003 Leonori
2005/0127073 A1 6/2005 Kusuma et al.
2005/0127074 A1 6/2005 Kusuma et al.
2006/0060522 A1 3/2006 Bushey
2006/0096929 A1 5/2006 Repp et al.
2007/0181489 A1 8/2007 Lee

FOREIGN PATENT DOCUMENTS

JP 09-192031 7/1997
WO 2006/054168 5/2006

OTHER PUBLICATIONS

"Strainer", Good Design 2005, Norman Copenhagen, <http://www.norman-copenhagen.com/the1.html>, 1 page, Printed Jul. 13, 2006.
"Prepology Set of 3 Silicone Collapsible Colanders," QVC, <http://www.qvc.com/scripts/detail.dll>, 5 pages, Printed Jul. 5, 2006.
"The Norman Collapsible Colander," Smart Stuff, www.smartstuff.se; 2 pages, Aug. 2005.

* cited by examiner

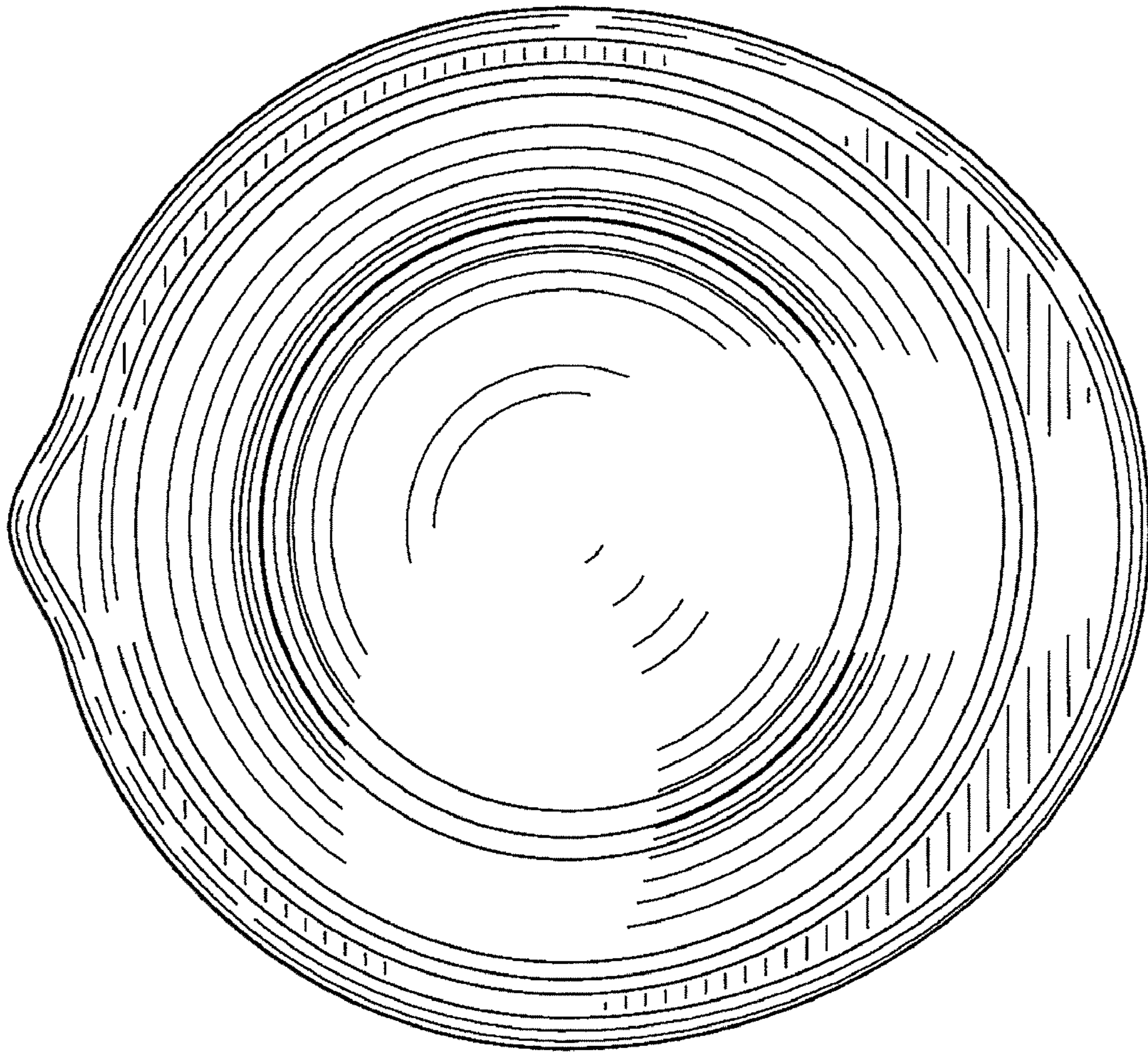


FIG. 1

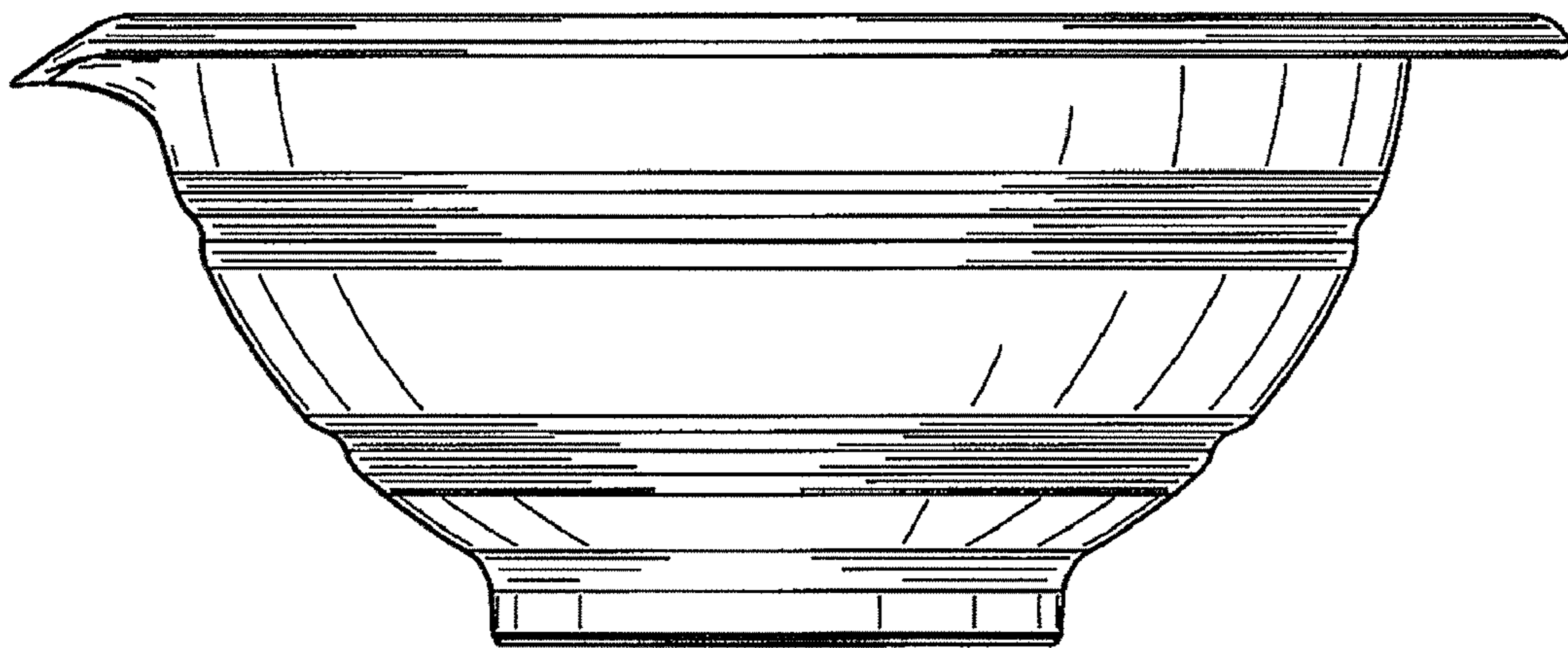


FIG. 2

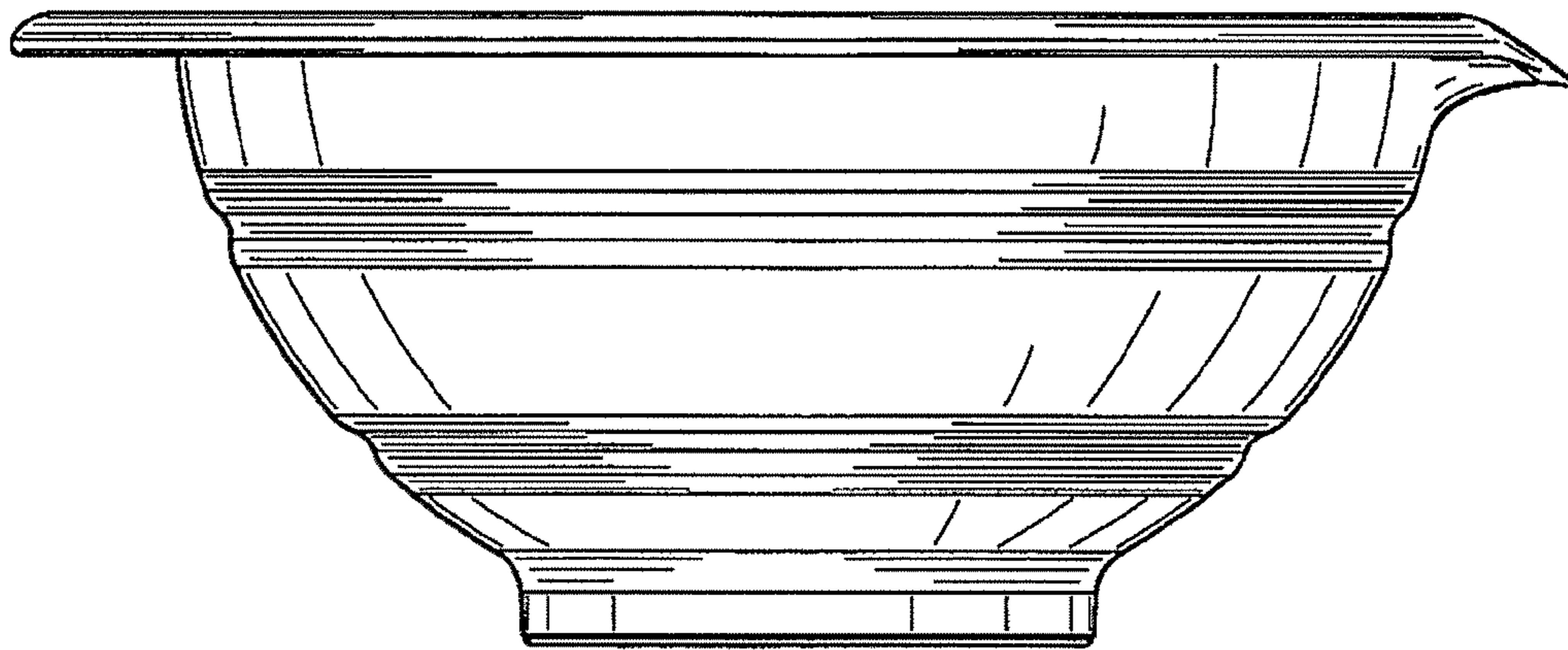


FIG. 3

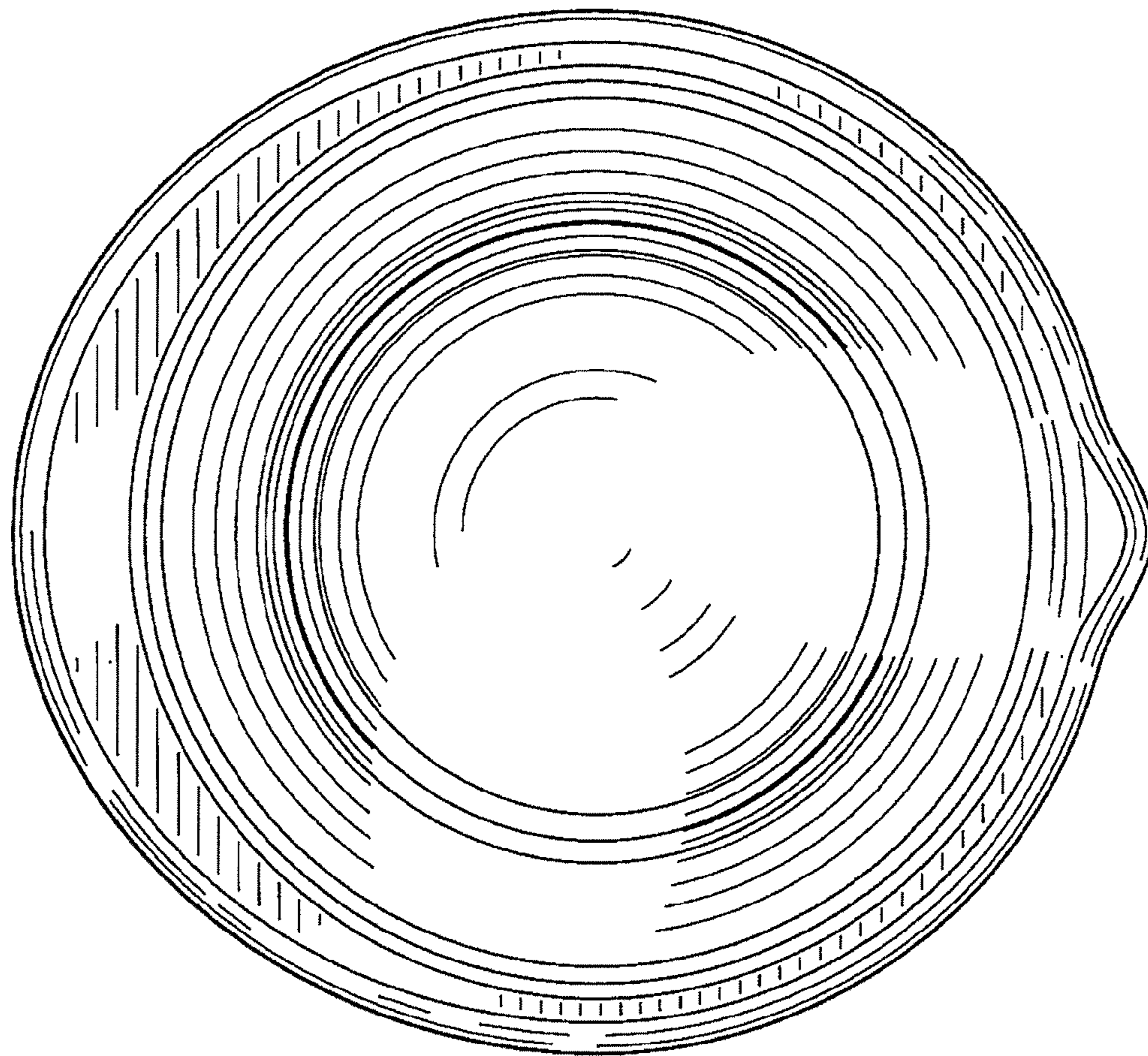


FIG. 4

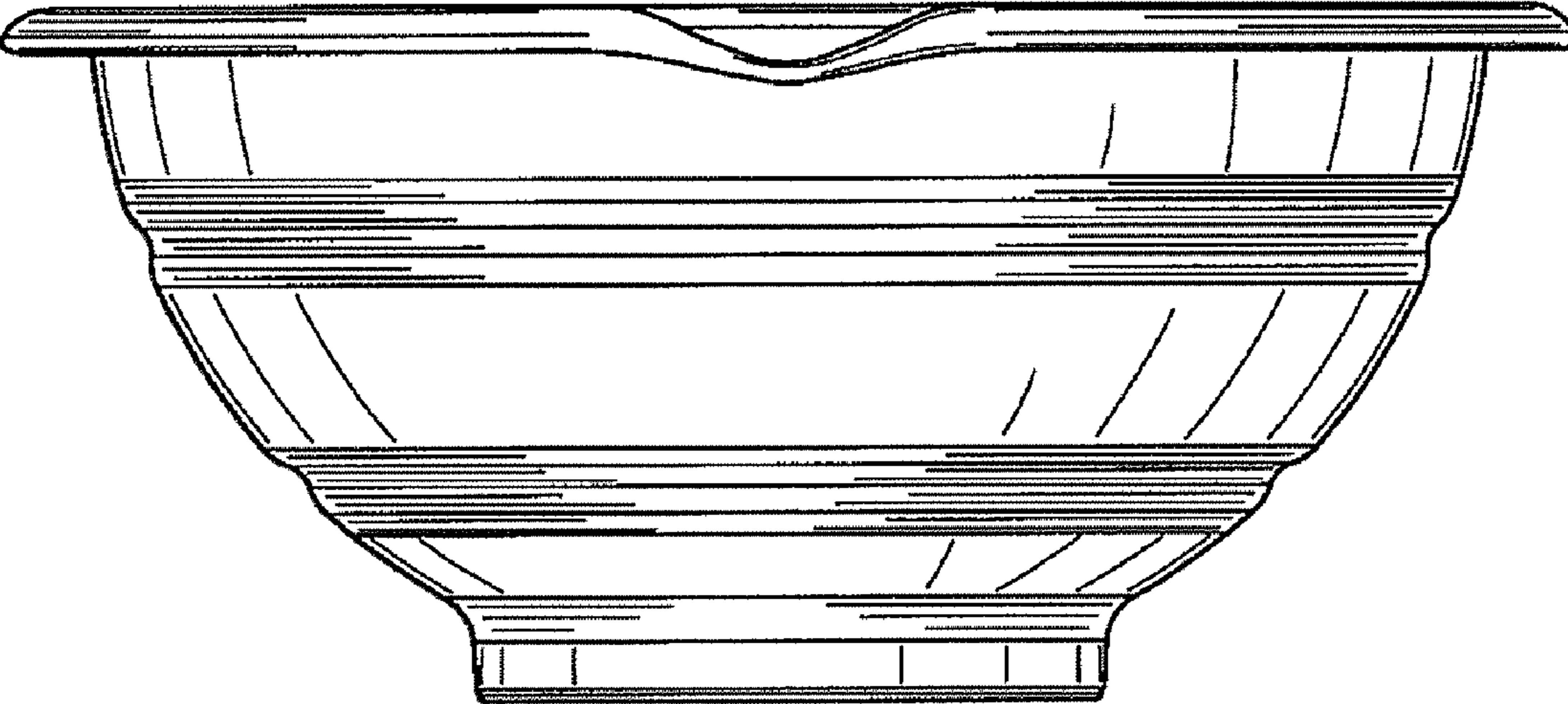


FIG. 5

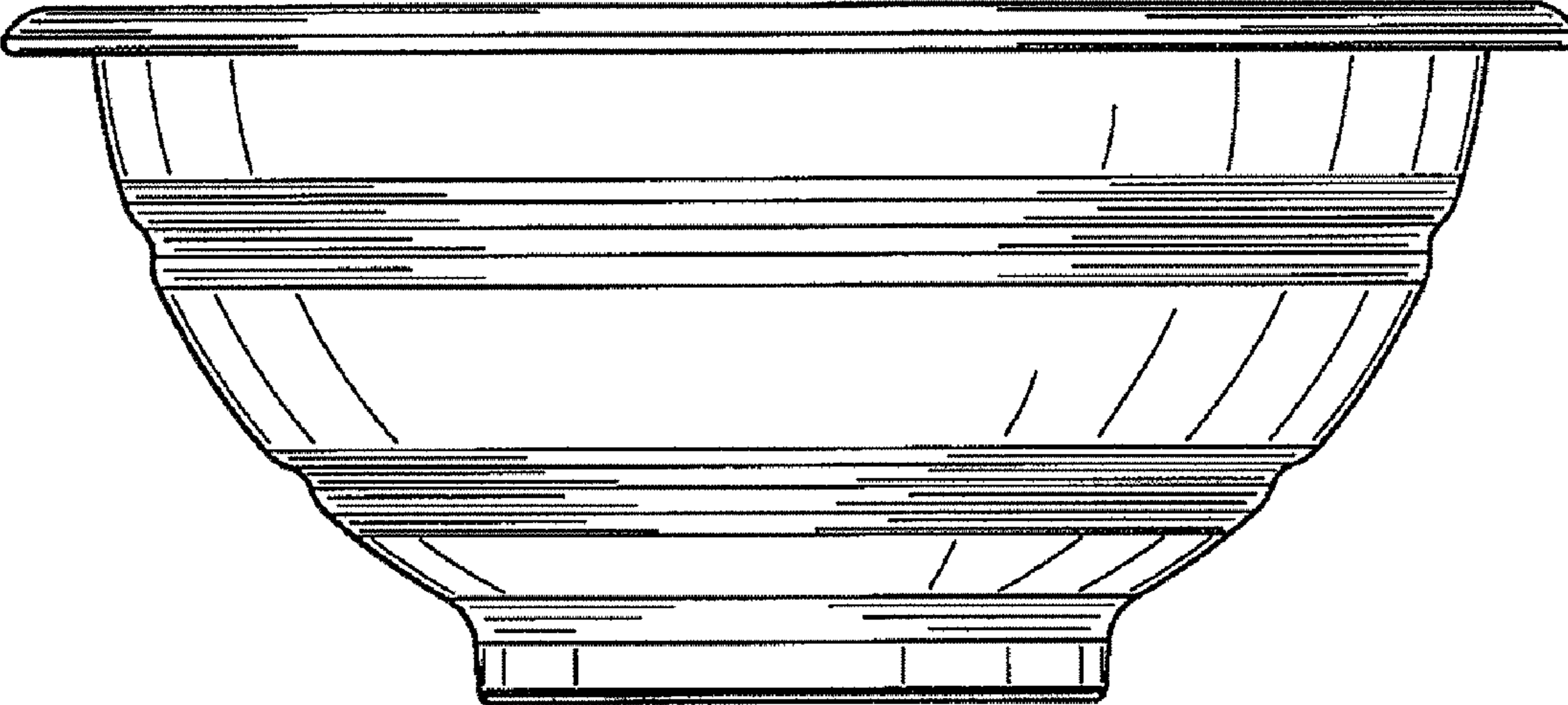


FIG. 6

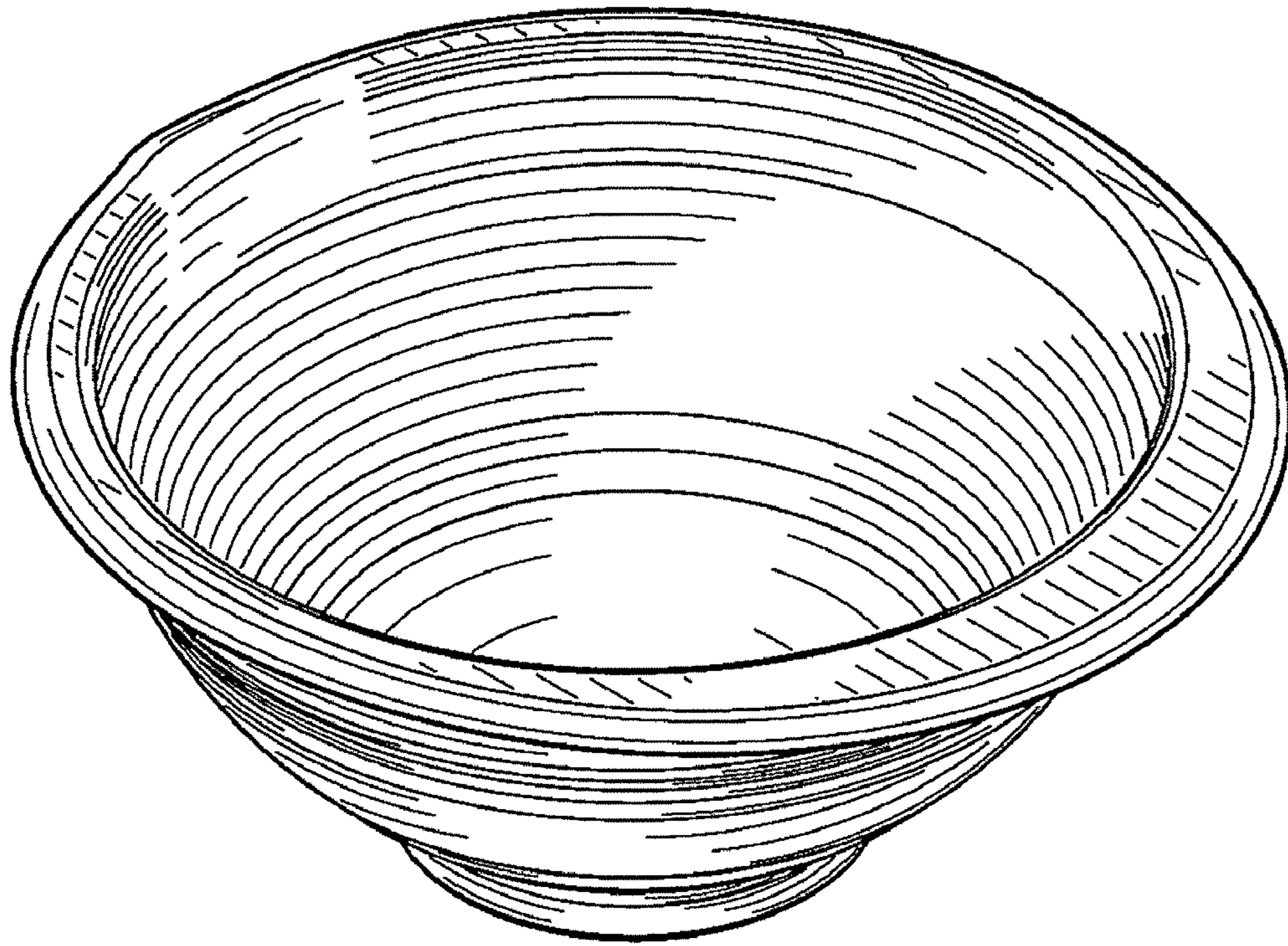


FIG. 7

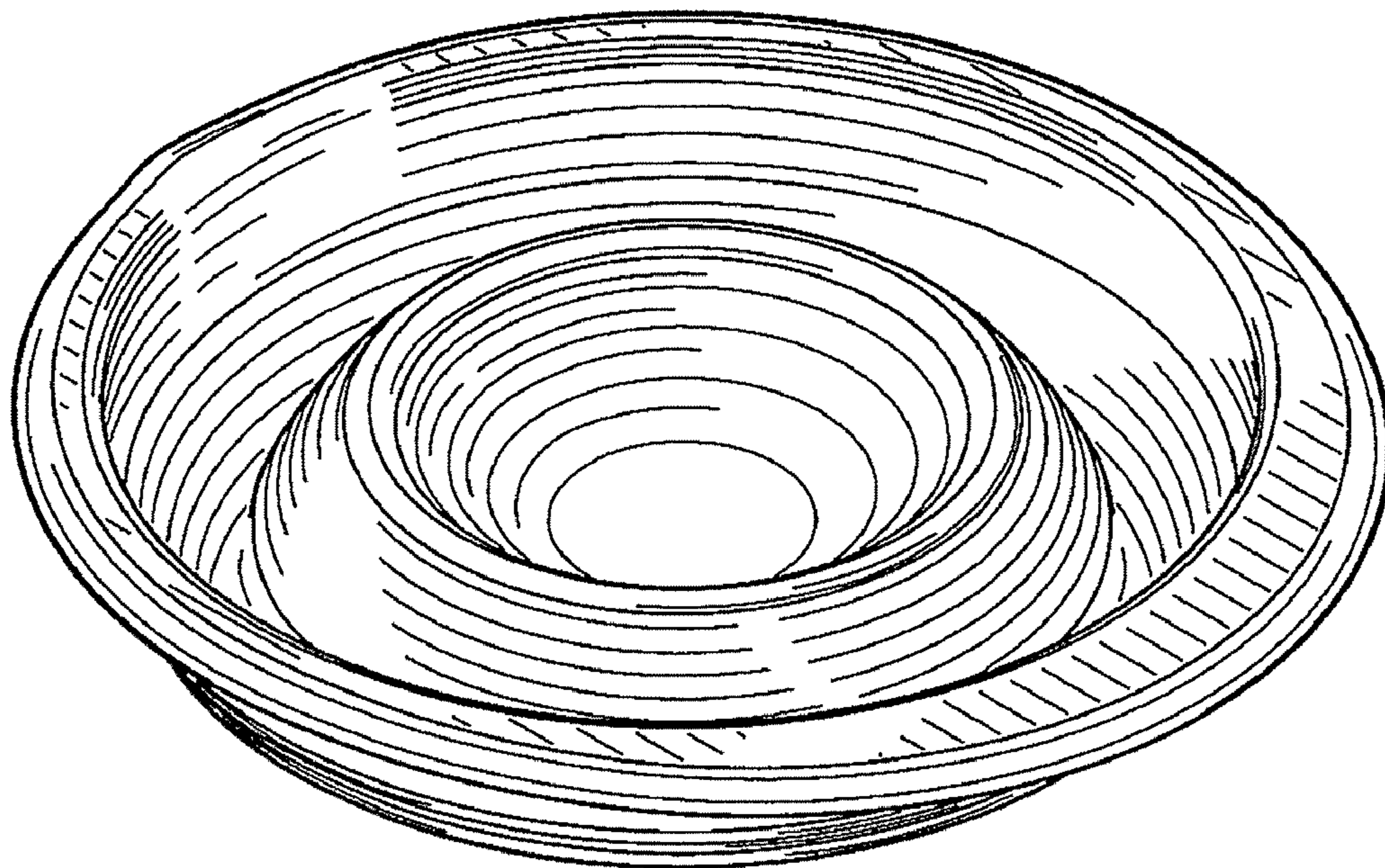


FIG. 8