



US00D571612S

(12) **United States Design Patent**  
**Wood**

(10) **Patent No.:** **US D571,612 S**  
(45) **Date of Patent:** **\*\* Jun. 24, 2008**

(54) **DRINKING CUP**

(75) Inventor: **Jason Wood**, Mission Viejo, CA (US)

(73) Assignee: **Namkung Promotions Inc.**, Costa Mesa, CA (US)

(\*\*) Term: **14 Years**

(21) Appl. No.: **29/286,925**

(22) Filed: **May 22, 2007**

(51) **LOC (8) Cl.** ..... **07-01**

(52) **U.S. Cl.** ..... **D7/515; D7/523**

(58) **Field of Classification Search** ..... D7/531,  
D7/532, 530, 514, 515, 509, 523; D9/669,  
D9/429; 206/519, 503; 215/382, 11.6, 387;  
220/703, 592.16; 229/400

See application file for complete search history.

(56) **References Cited**

**U.S. PATENT DOCUMENTS**

604,514 A	5/1898	Belden	
D68,368 S	10/1925	Bell	
D84,947 S	8/1931	Marshall	
D109,675 S	5/1938	Saunders	
2,980,280 A	4/1961	Herlow	
D196,271 S *	9/1963	Edwards	D9/429
D204,212 S	3/1966	Davis	
D211,514 S	6/1968	Amberg	
D223,999 S *	6/1972	Klote	D9/429
D226,443 S *	3/1973	Achenbach	D7/523
D226,573 S *	3/1973	Casad	D7/515
D240,284 S *	6/1976	Sarpeneva	D7/523
D253,872 S *	1/1980	Reynolds	D9/428
D264,525 S	5/1982	Kiyokane	
D264,534 S	5/1982	Kiyokane	
D267,140 S *	12/1982	Thompson	D7/531
D285,032 S *	8/1986	Alonzo	D7/523
D313,479 S *	1/1991	Goldberg	D26/16
D379,738 S *	6/1997	Liming et al.	D7/511
D470,362 S *	2/2003	Basden	D7/536
D526,847 S *	8/2006	Freeman	D7/523

D529,396 S *	10/2006	Whipple	D9/669
D544,305 S *	6/2007	Allingham	D7/515
D559,040 S *	1/2008	Freeman	D7/523
D560,969 S *	2/2008	Mansfield	D7/523
D563,171 S *	3/2008	Mansfield	D7/523

**FOREIGN PATENT DOCUMENTS**

EP	250612 A1	1/1988
EP	347476 A1	12/1989
EP	348885 A2	1/1990

\* cited by examiner

*Primary Examiner*—Marianne Pandozzi

(74) *Attorney, Agent, or Firm*—Stetina Brunda Garred & Brucker

(57) **CLAIM**

The ornamental design for a drinking cup, as shown and described.

**DESCRIPTION**

FIG. 1 is a front perspective view of the drinking cup of the present invention showing my new design;

FIG. 2 is a top plan view thereof;

FIG. 3 is a front view thereof;

FIG. 4 is side view thereof;

FIG. 5 is rear view thereof;

FIG. 6 is a bottom plan view thereof;

FIG. 7 is a perspective view of a second embodiment of the drinking cup of the present invention showing my new design;

FIG. 8 is a top plan view thereof;

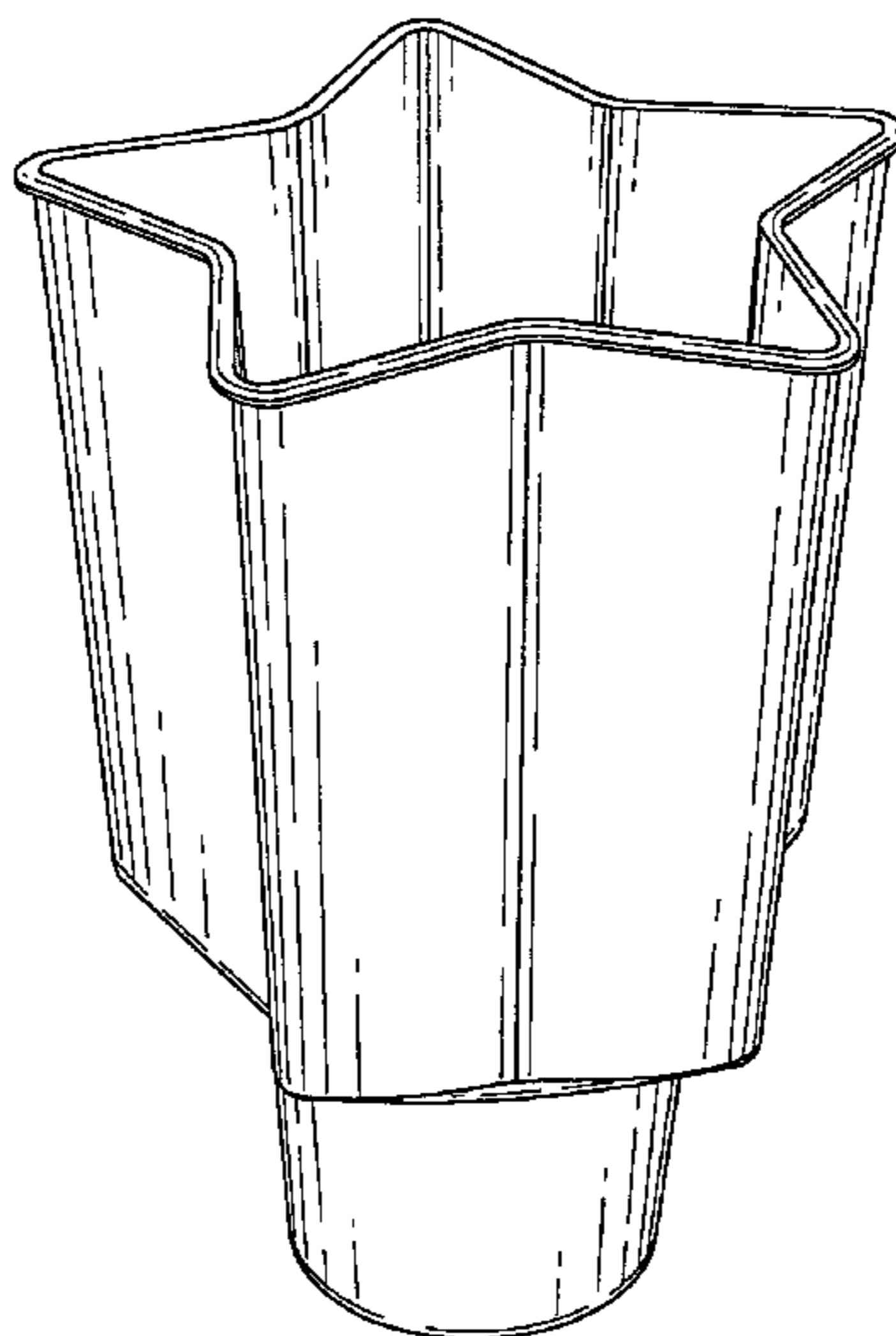
FIG. 9 is a front view thereof;

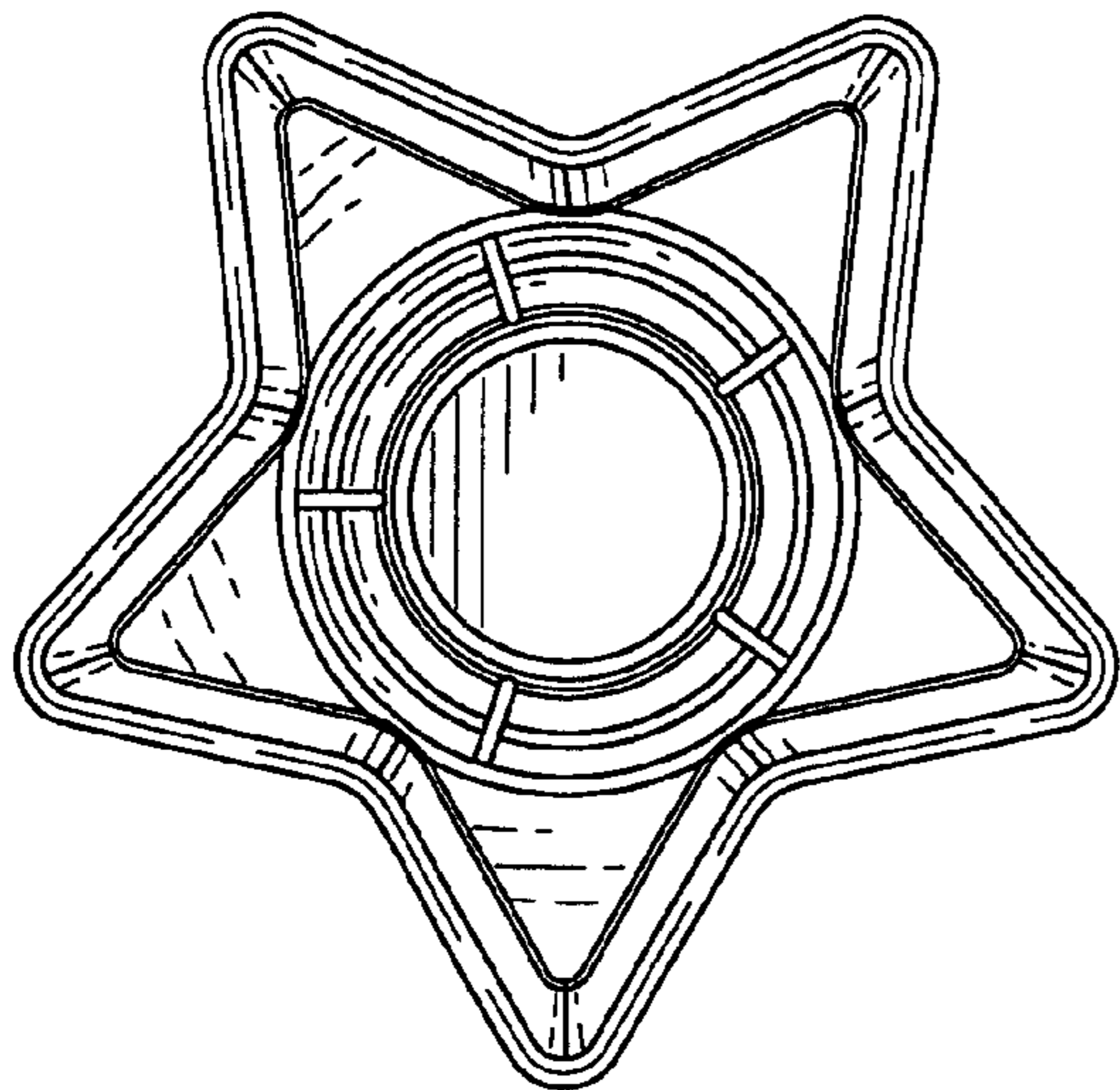
FIG. 10 is a side view thereof;

FIG. 11 is a rear view thereof; and,

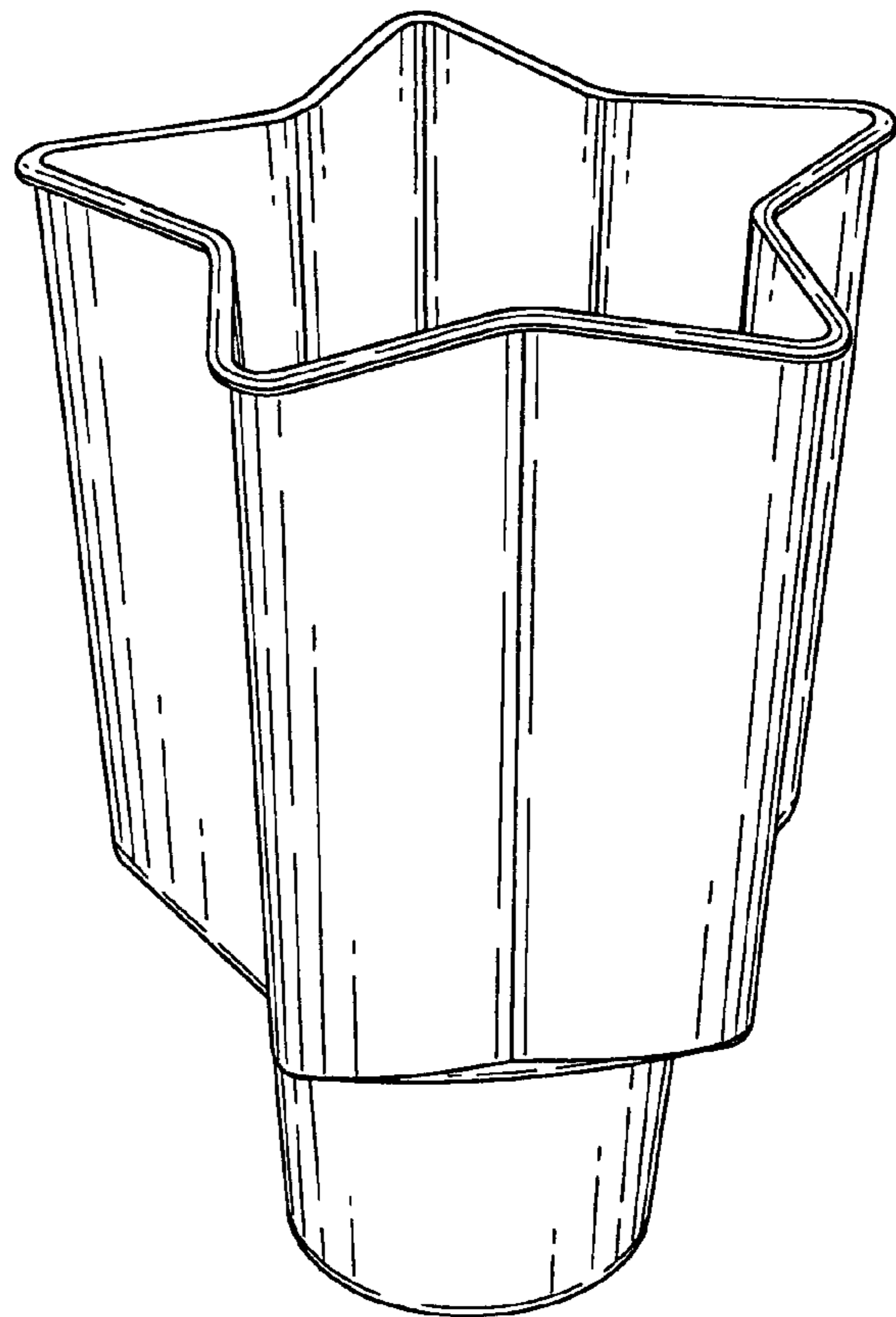
FIG. 12 is a bottom plan view thereof.

**1 Claim, 4 Drawing Sheets**

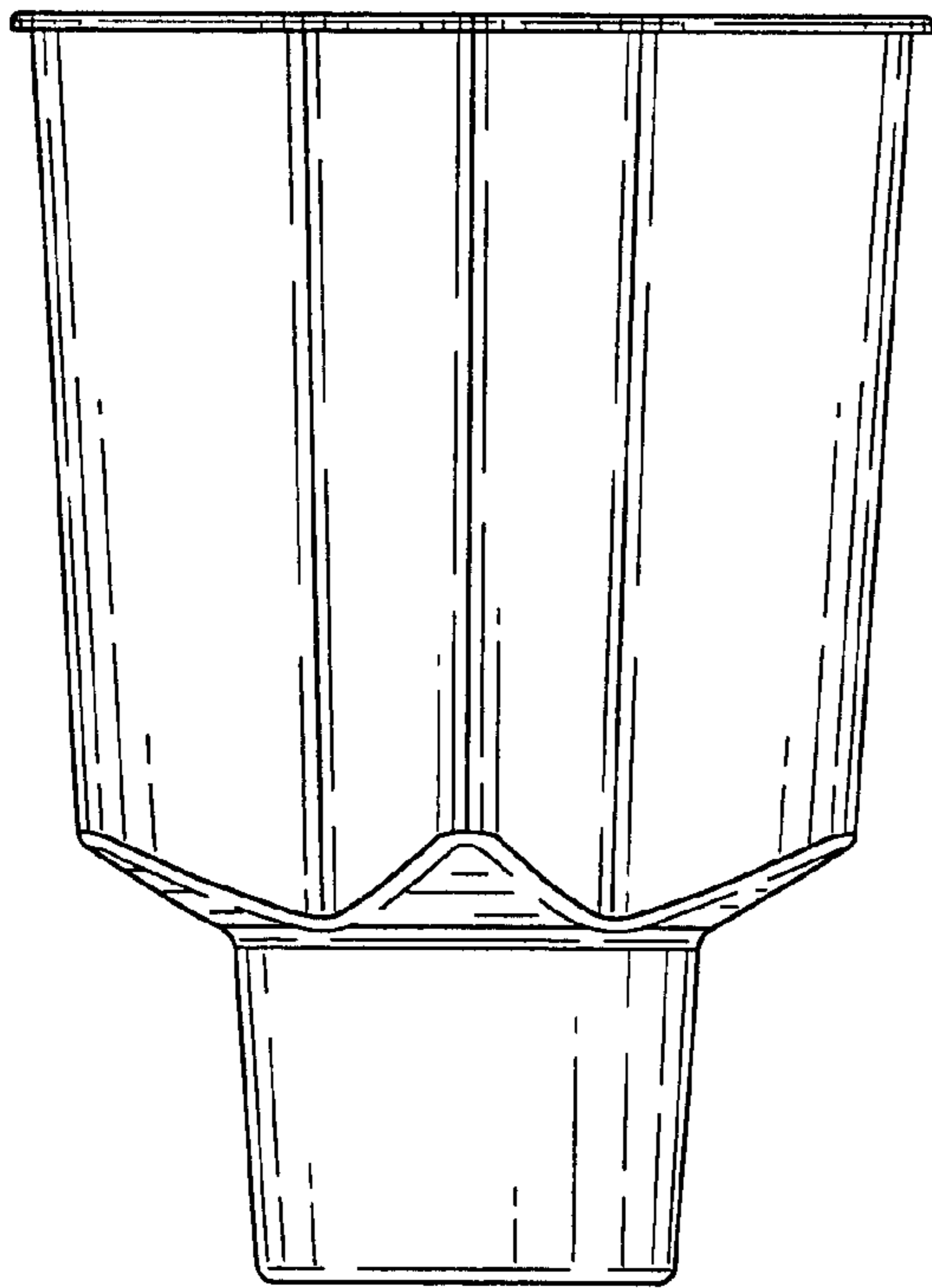




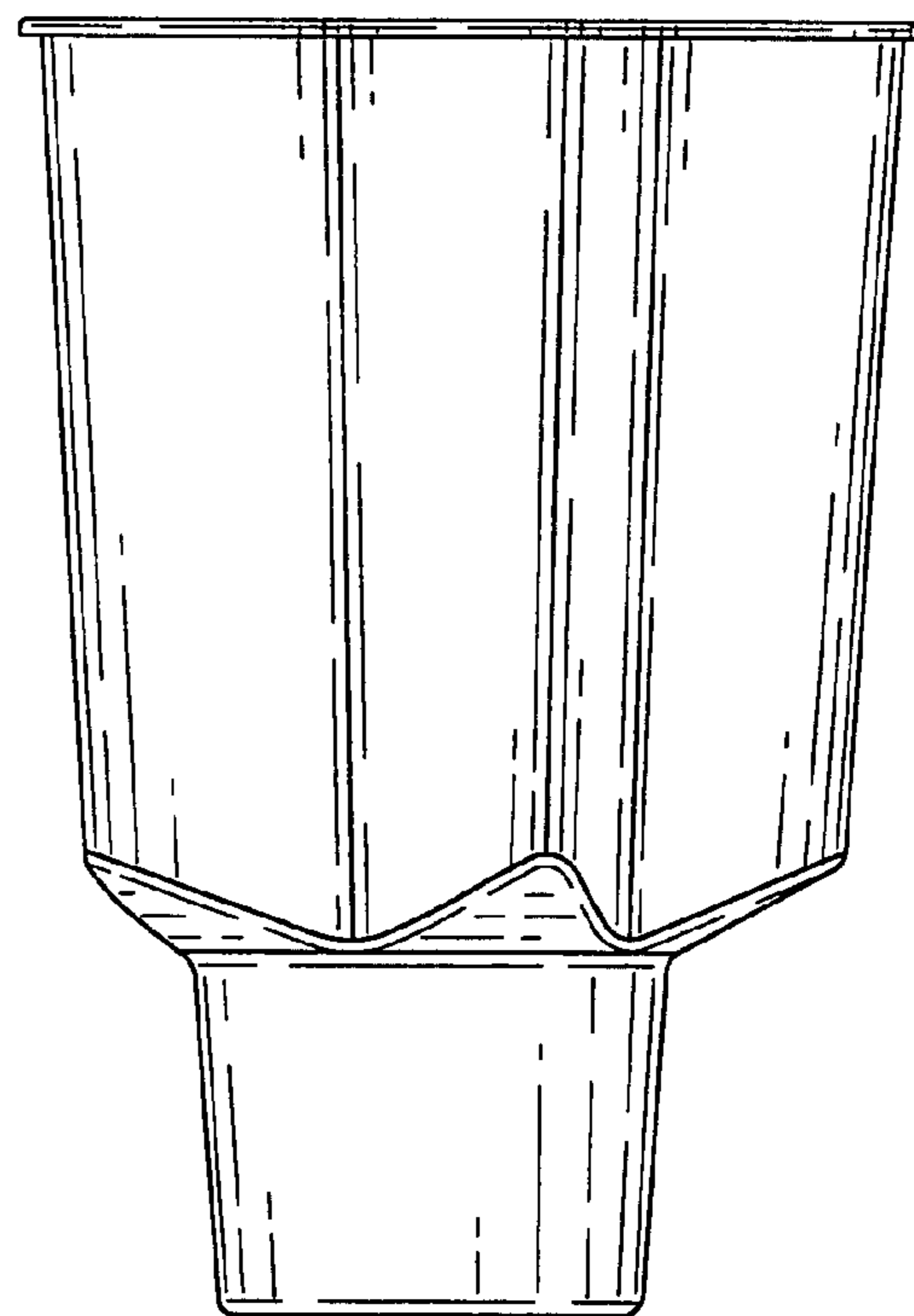
*Fig. 2*



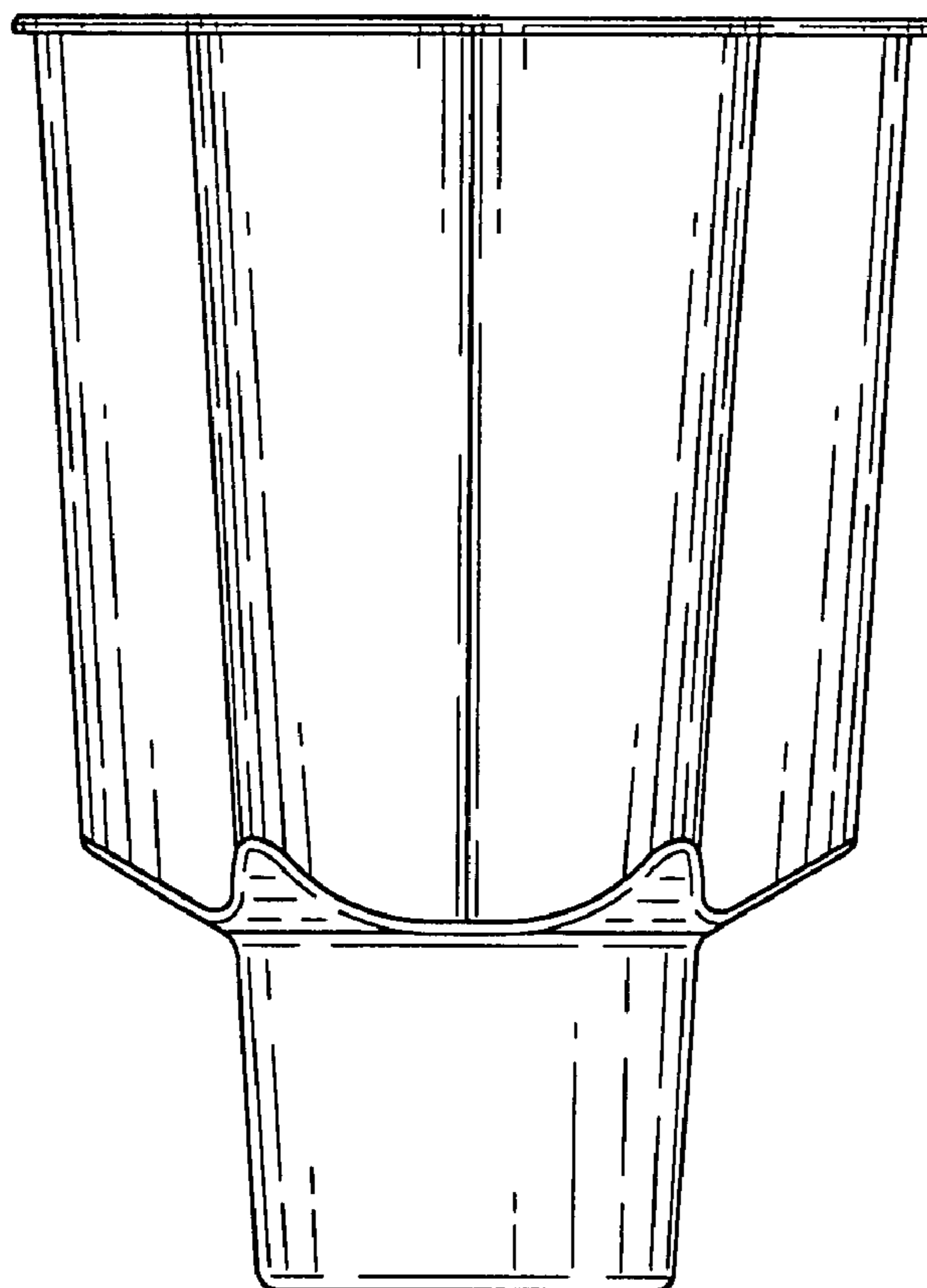
*Fig. 1*



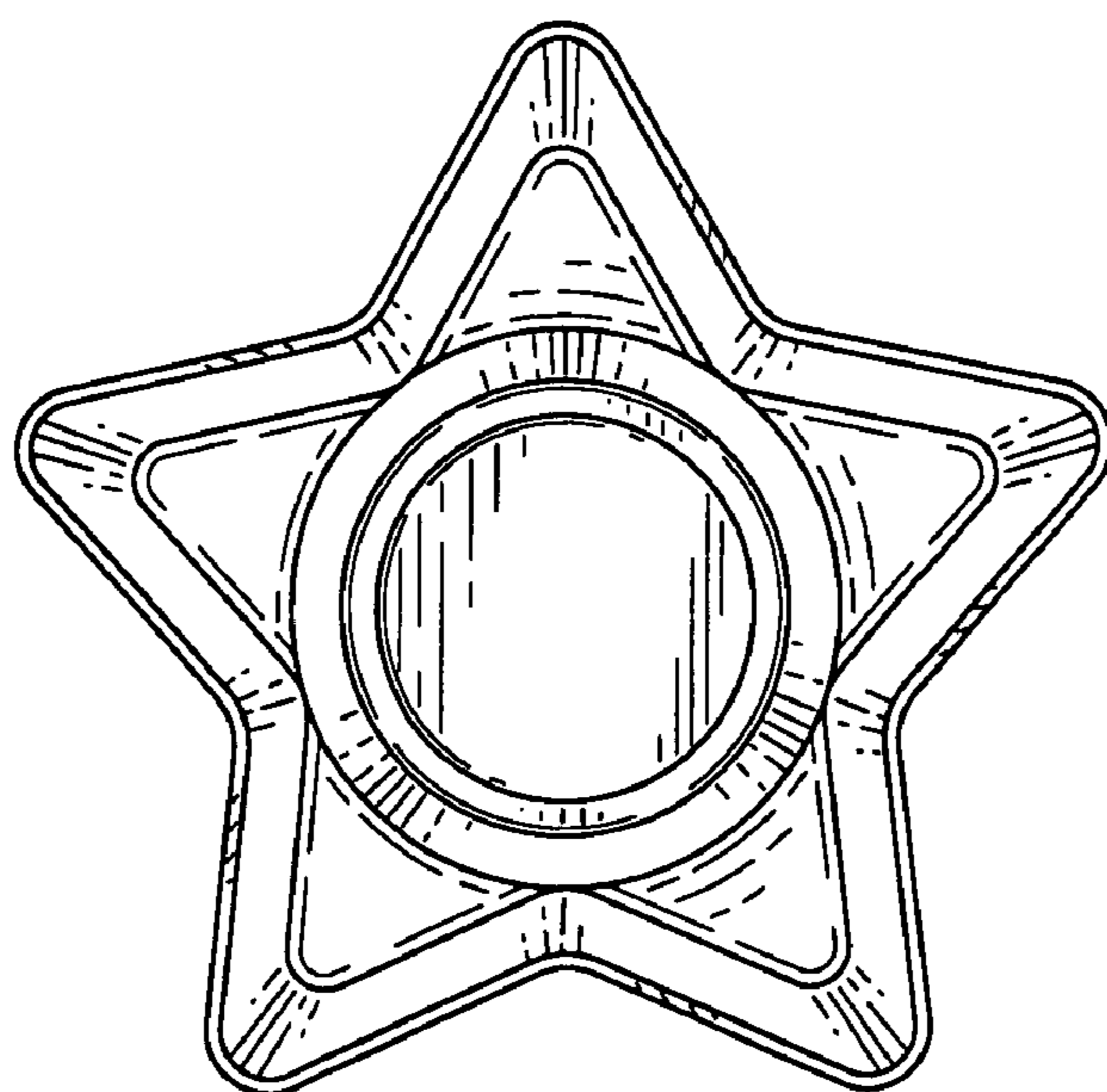
*Fig. 3*



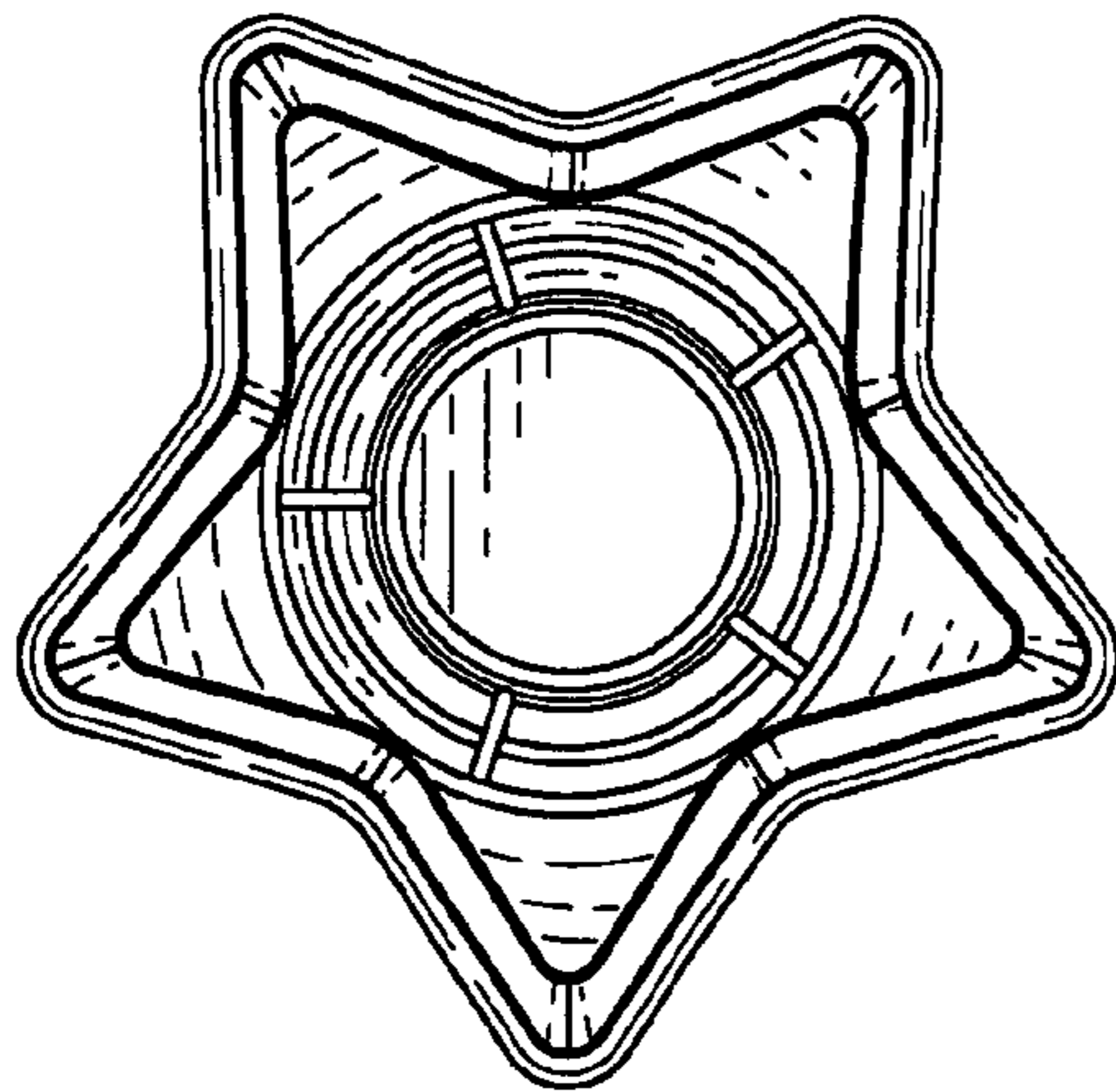
*Fig. 4*



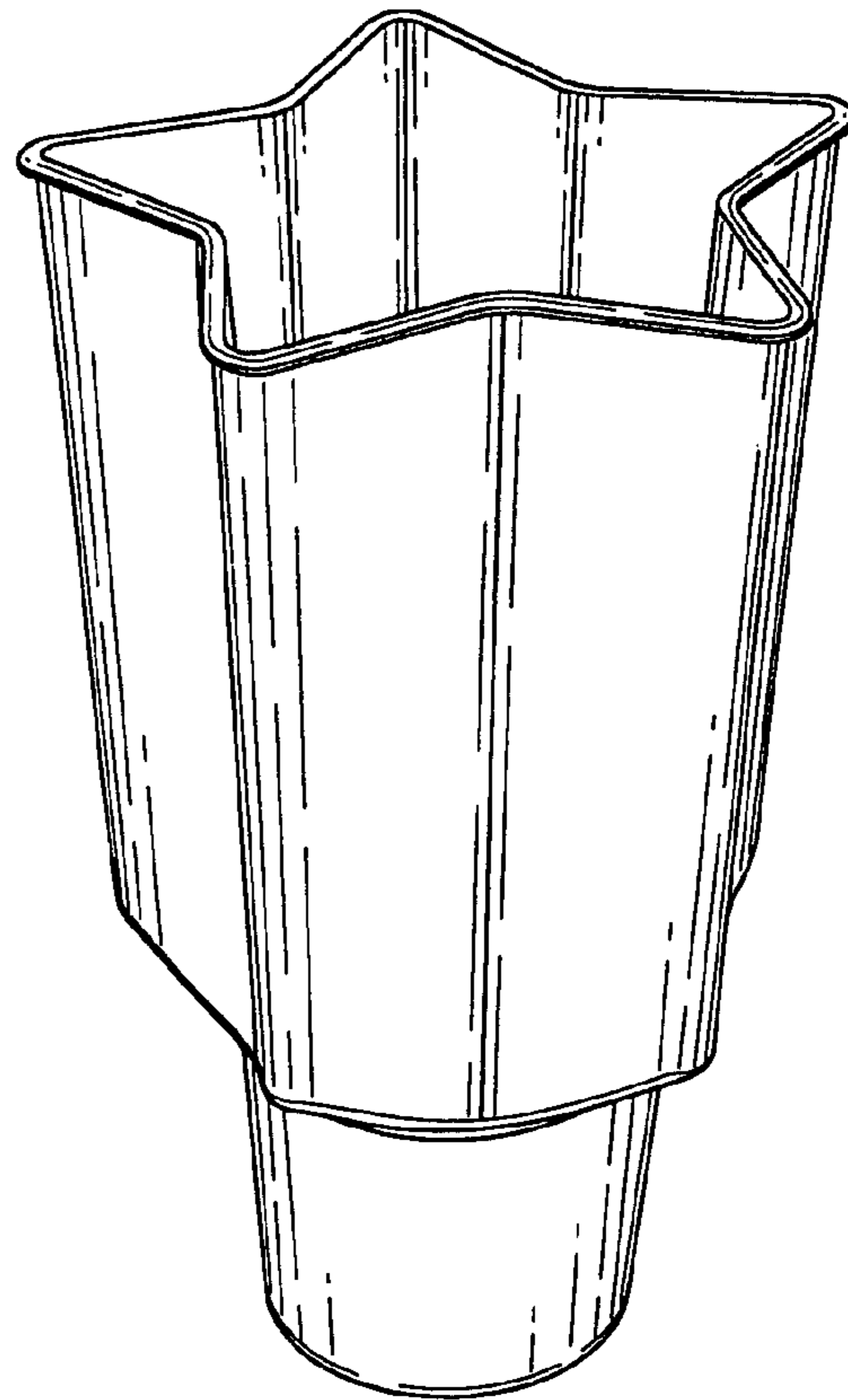
*Fig. 5*



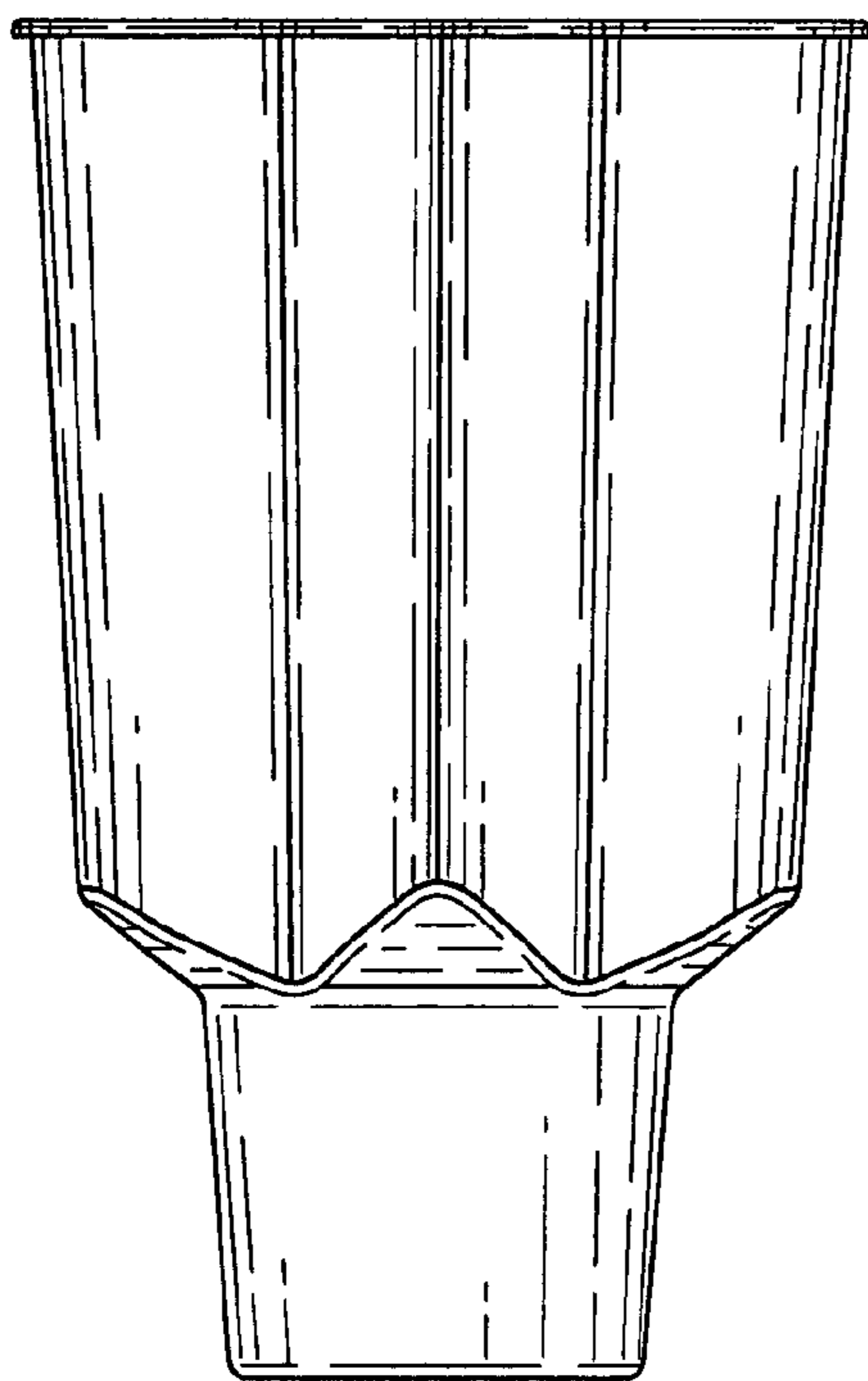
*Fig. 6*



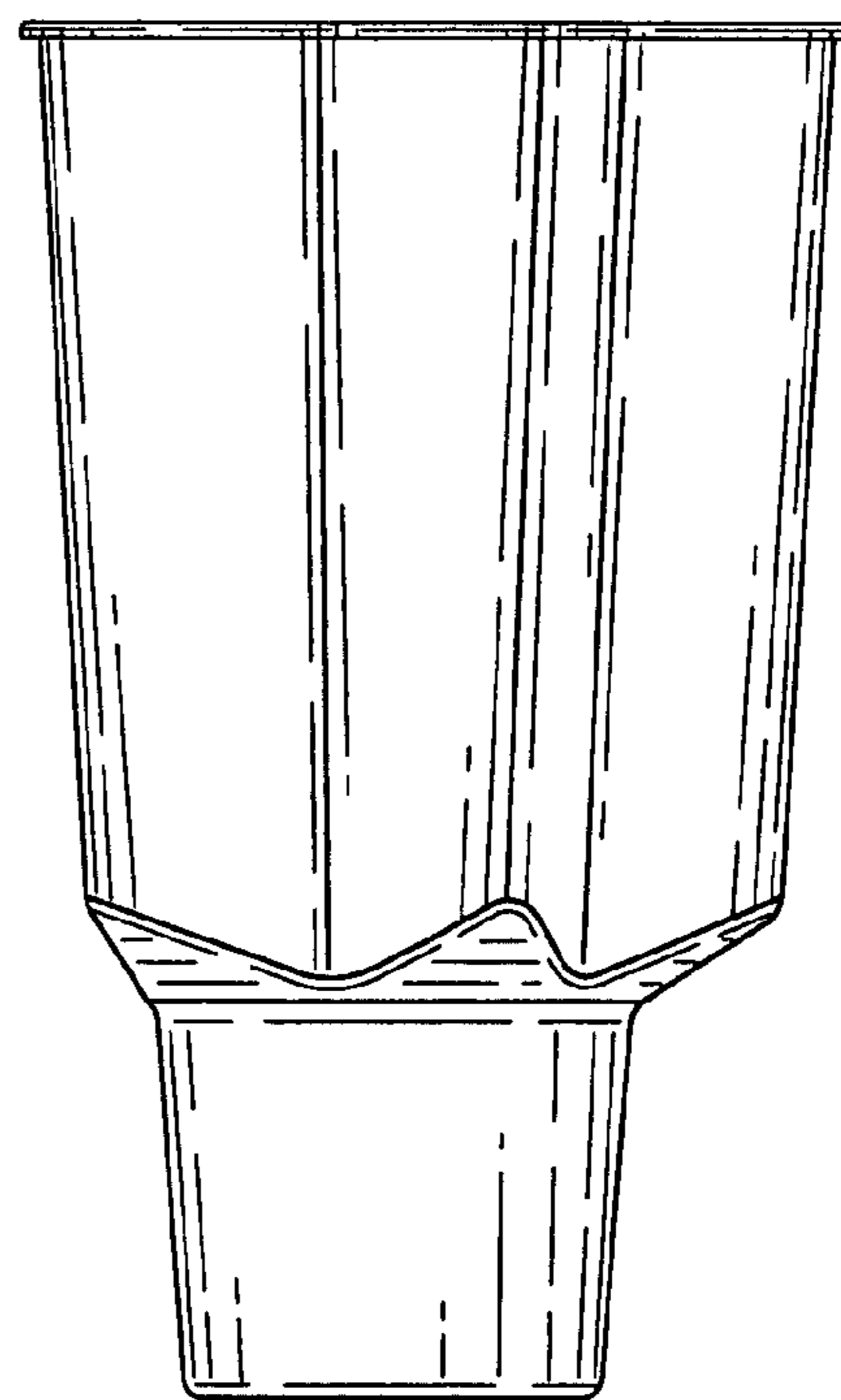
*Fig. 8*



*Fig. 7*

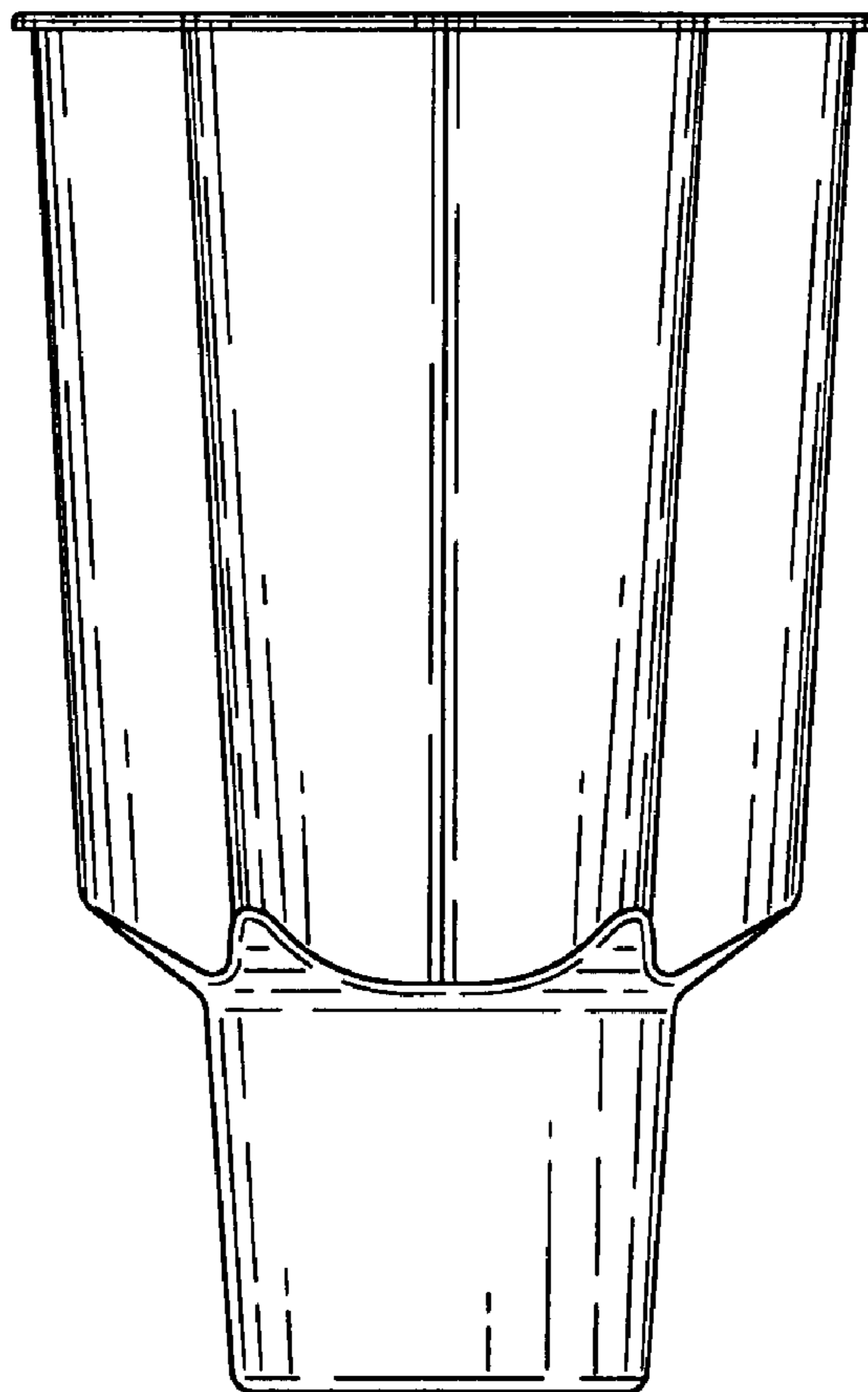


*Fig. 9*

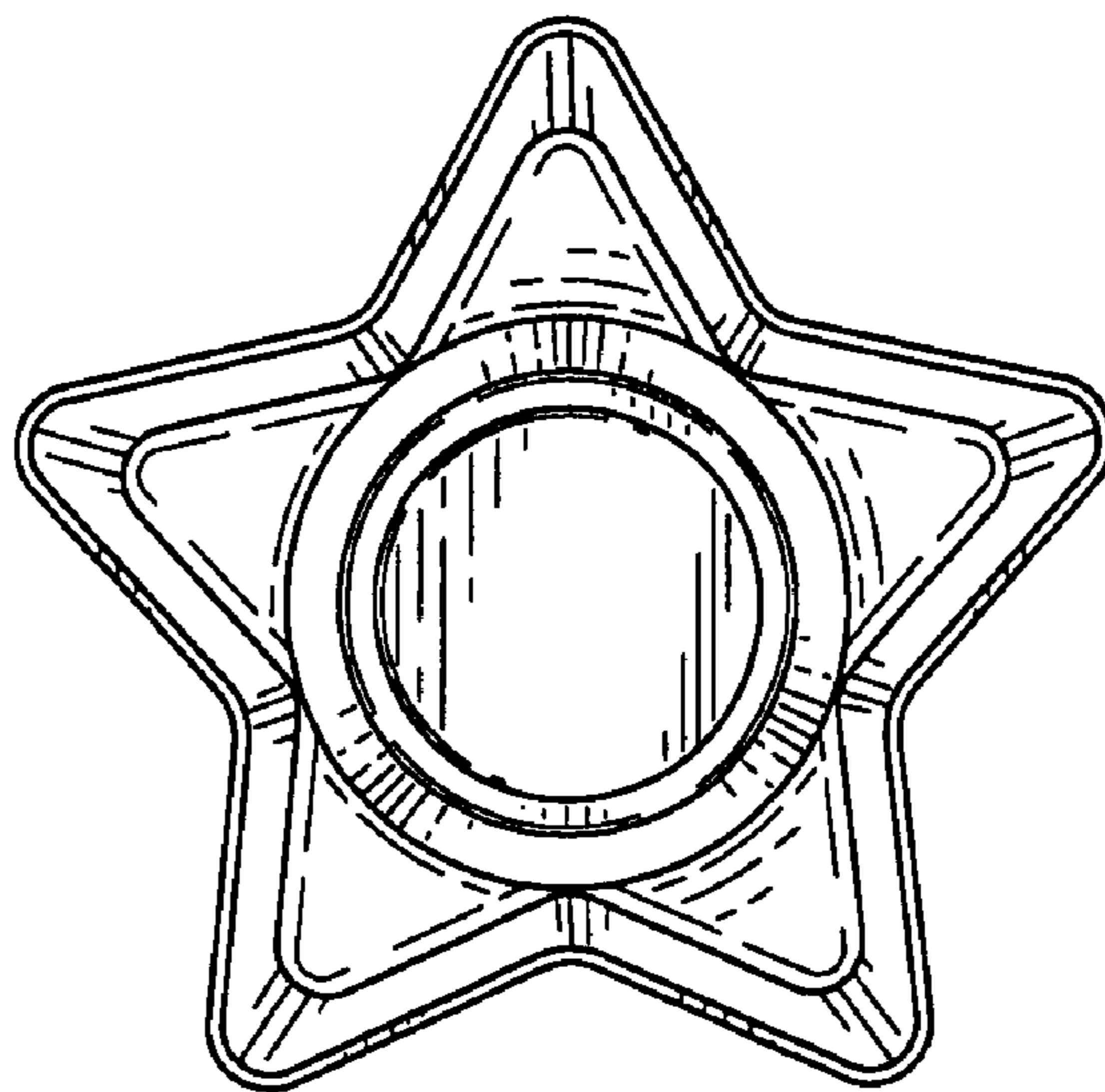


*Fig. 10*





*Fig. 11*



*Fig. 12*