



US00D571610S

(12) **United States Design Patent**
Bodum

(10) **Patent No.:** **US D571,610 S**
(45) **Date of Patent:** **** Jun. 24, 2008**

(54) **DRINKING VESSEL**

(75) Inventor: **Jørgen Bodum**, St. Niklausen (CH)

(73) Assignee: **Pi-Design AG**, Triengen (CH)

(**) Term: **14 Years**

(21) Appl. No.: **29/293,992**

(22) Filed: **Dec. 20, 2007**

Related U.S. Application Data

(62) Division of application No. 29/272,340, filed on Feb. 7, 2007.

(30) **Foreign Application Priority Data**

Aug. 15, 2006 (CH) 133 055

(51) **LOC (8) Cl.** **07-01**

(52) **U.S. Cl.** **D7/399; D7/509; D7/510; D7/397**

(58) **Field of Classification Search** D7/500, D7/509, 510, 523, 531, 533, 507, 608, 318, D7/399, 397, 387, 317; 215/11.6; 220/711, 220/592.16, 592.17, 592.2, 703; D3/202; D9/503, 428, 415, 418, 516; D99/25

See application file for complete search history.

(56) **References Cited**

U.S. PATENT DOCUMENTS

- D181,143 S * 10/1957 Gundelfinger D7/376
- D289,143 S * 4/1987 Guillaume D9/501
- D292,881 S * 11/1987 Thompson D9/503
- D315,095 S * 3/1991 Wright D9/503
- D335,382 S * 5/1993 O'Brien D99/25
- 5,461,968 A * 10/1995 Portman 99/287
- 5,939,122 A * 8/1999 Brady 426/474
- D413,480 S * 9/1999 Joergensen D7/317
- D473,788 S * 4/2003 Chen et al. D9/428
- D488,672 S * 4/2004 Oas D7/507
- D499,648 S * 12/2004 Lewis et al. D9/501

- D526,848 S * 8/2006 Bodum D7/523
- D547,610 S * 7/2007 Edelstein et al. D7/511
- D553,435 S * 10/2007 de Groote D7/509
- D553,437 S * 10/2007 Bodum D7/523
- D553,439 S * 10/2007 Bodum D7/523
- D557,978 S * 12/2007 Bodum D7/399
- D559,034 S * 1/2008 Bodum D7/376

* cited by examiner

Primary Examiner—Philip Hyder

Assistant Examiner—Cynthia Underwood

(74) *Attorney, Agent, or Firm*—Sughrue Mion, PLLC

(57) **CLAIM**

The ornamental design for drinking vessel, as shown and described.

DESCRIPTION

FIG. 1 is a perspective view of a drinking vessel according to a first embodiment showing my new design;

FIG. 2 is a front side view thereof;

FIG. 3 is a back side view thereof;

FIG. 4 is a left side view thereof;

FIG. 5 is a top plan view thereof;

FIG. 6 is a bottom plan view thereof;

FIG. 7 is an exploded front side view thereof with its bottom shown in a removed position;

FIG. 8 is a perspective view of a second embodiment of the drinking vessel;

FIG. 9 is a front side view thereof;

FIG. 10 is a back side view thereof;

FIG. 11 is a left side view thereof;

FIG. 12 is a top plan view thereof;

FIG. 13 is a bottom plan view thereof; and,

FIG. 14 is an exploded front side view thereof with its bottom shown in a removed position.

1 Claim, 14 Drawing Sheets

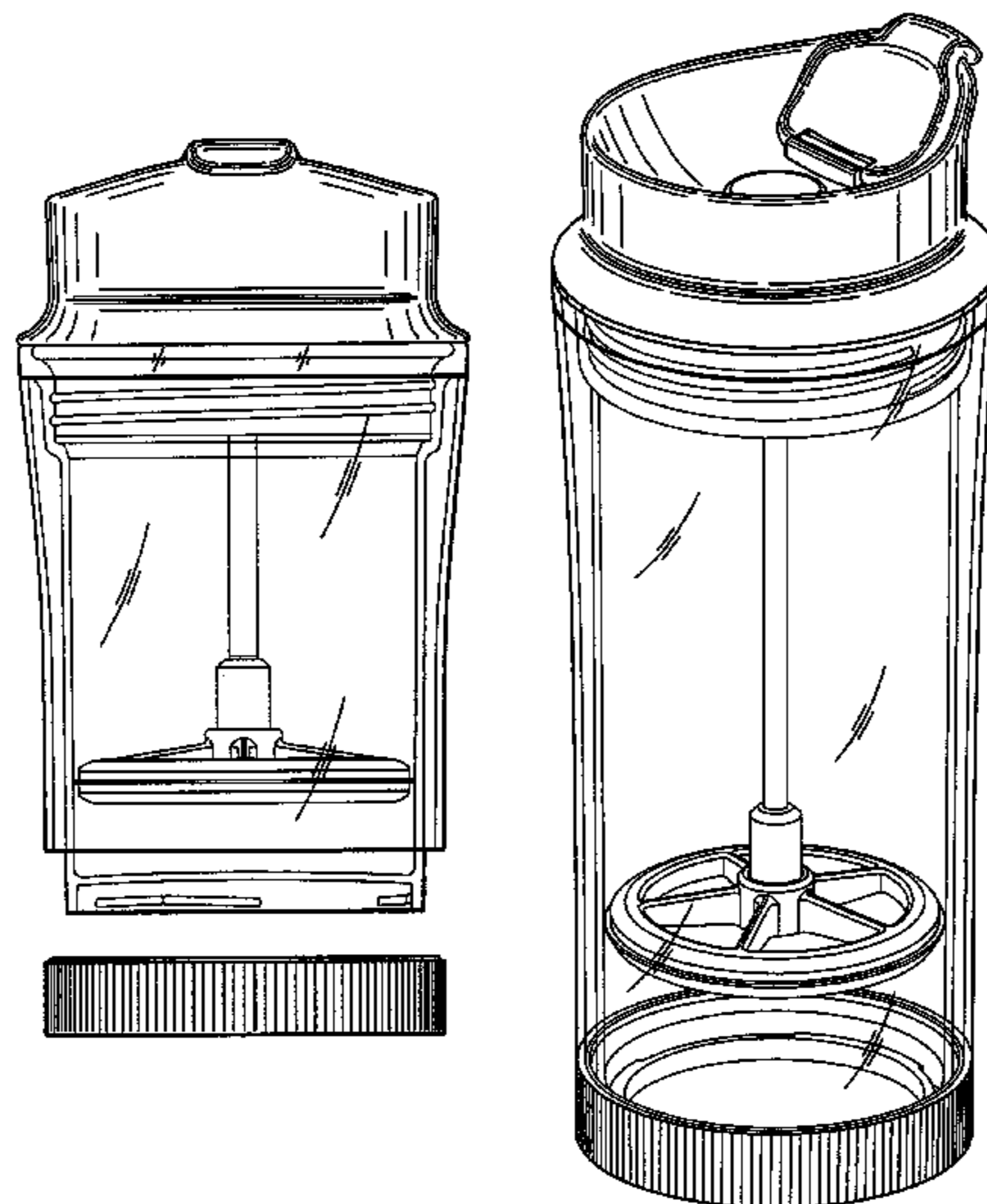


FIG. 1

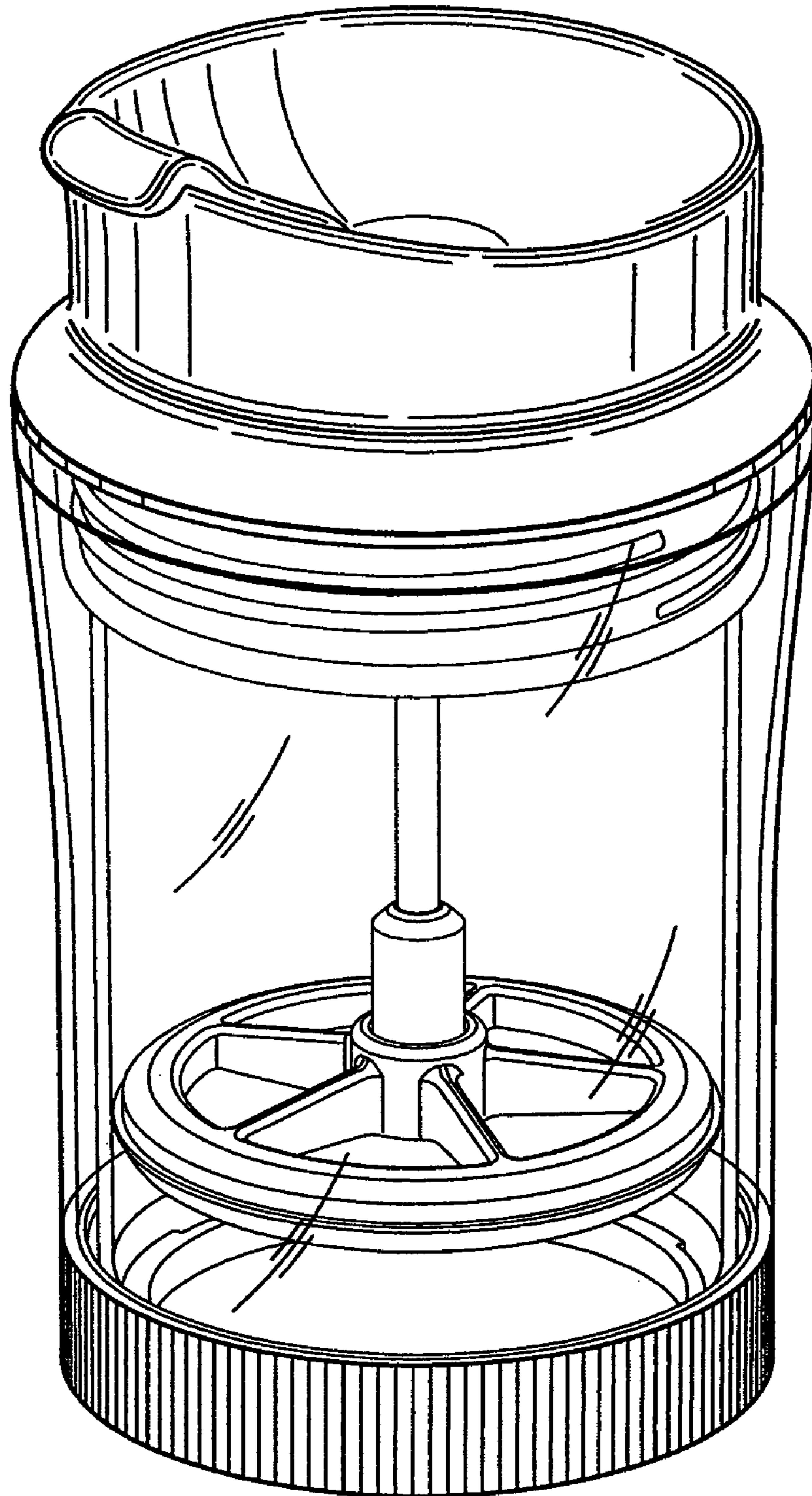


FIG. 2

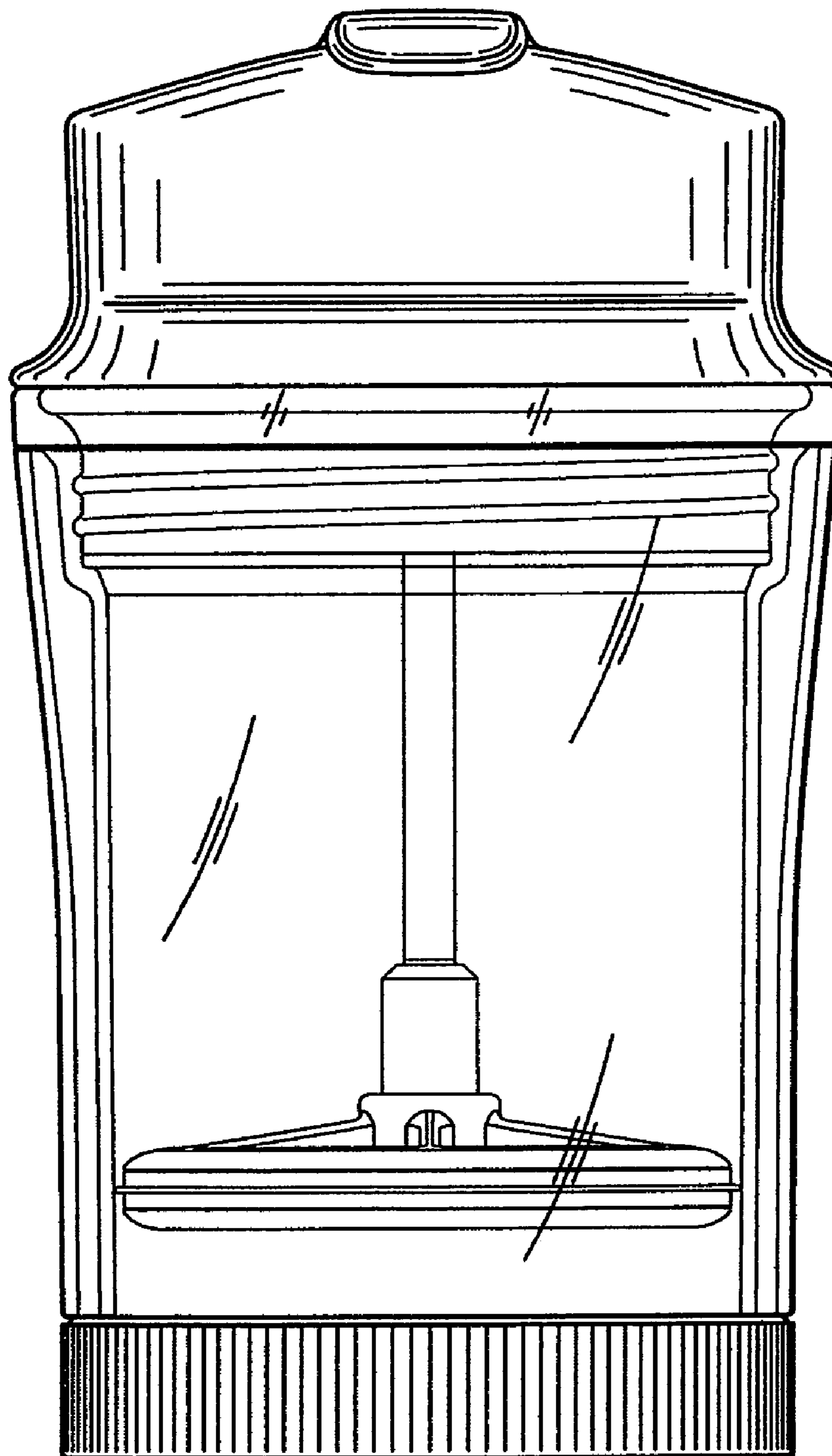


FIG. 3

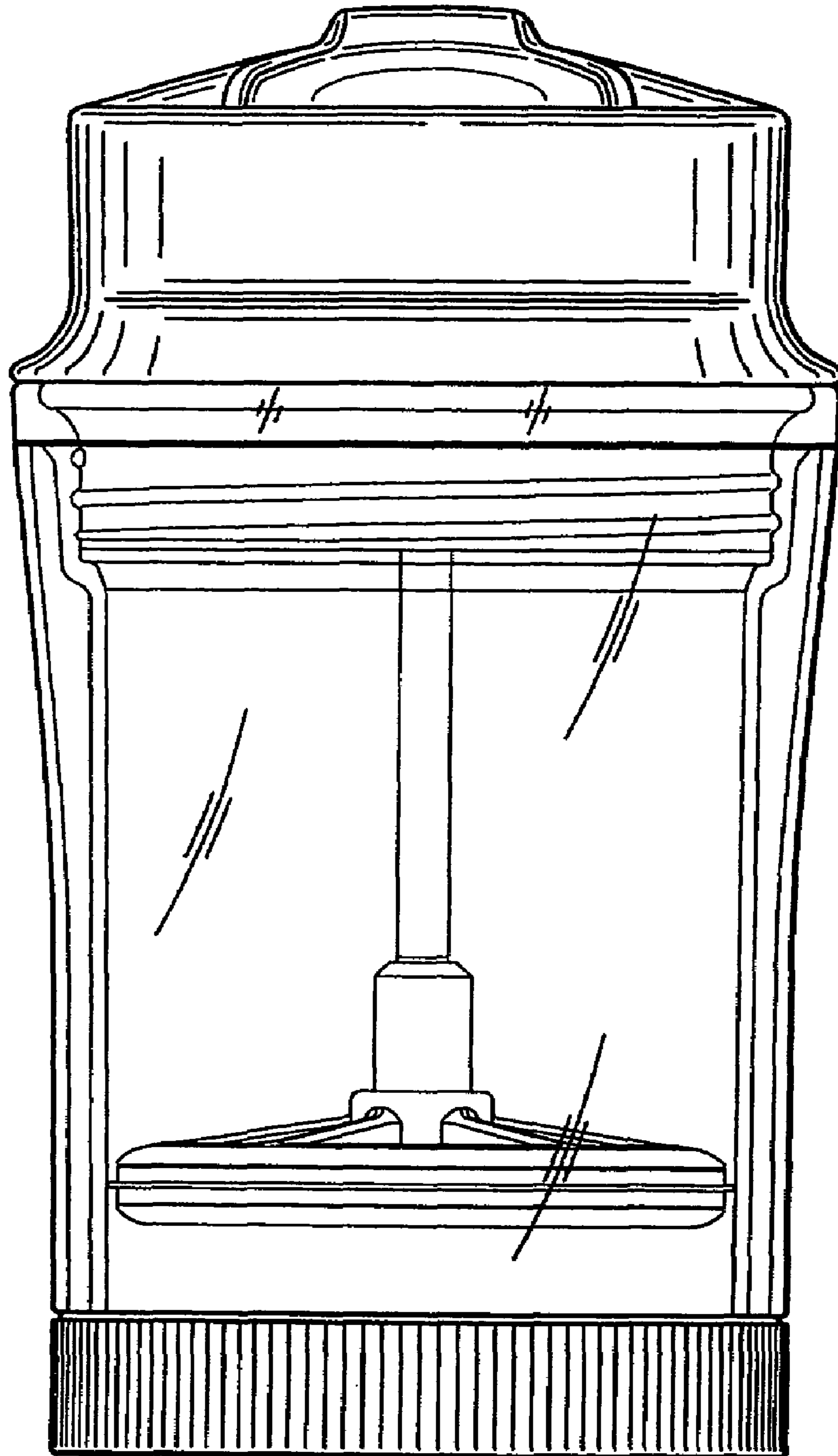


FIG. 4

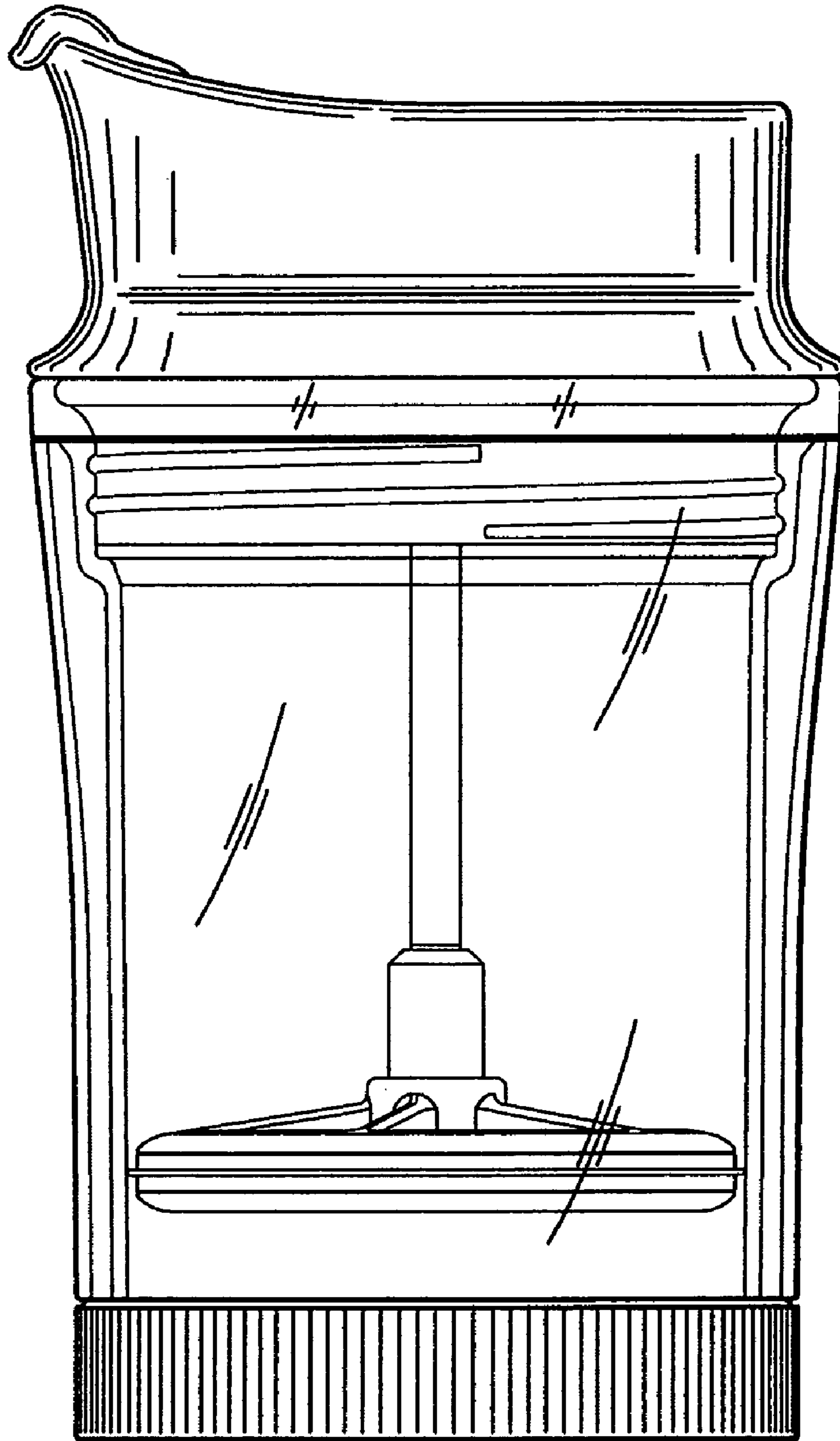


FIG. 5

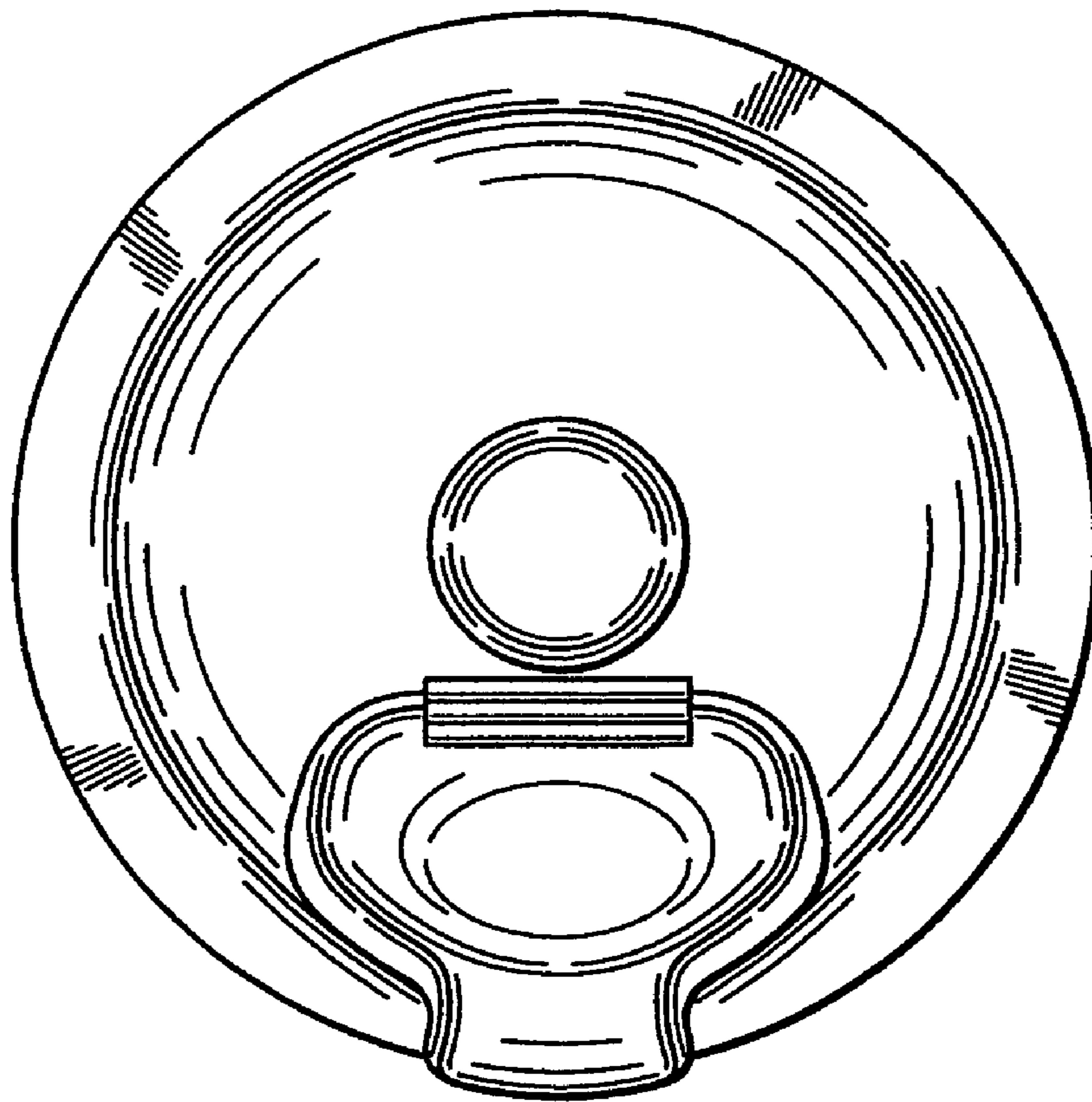


FIG. 6

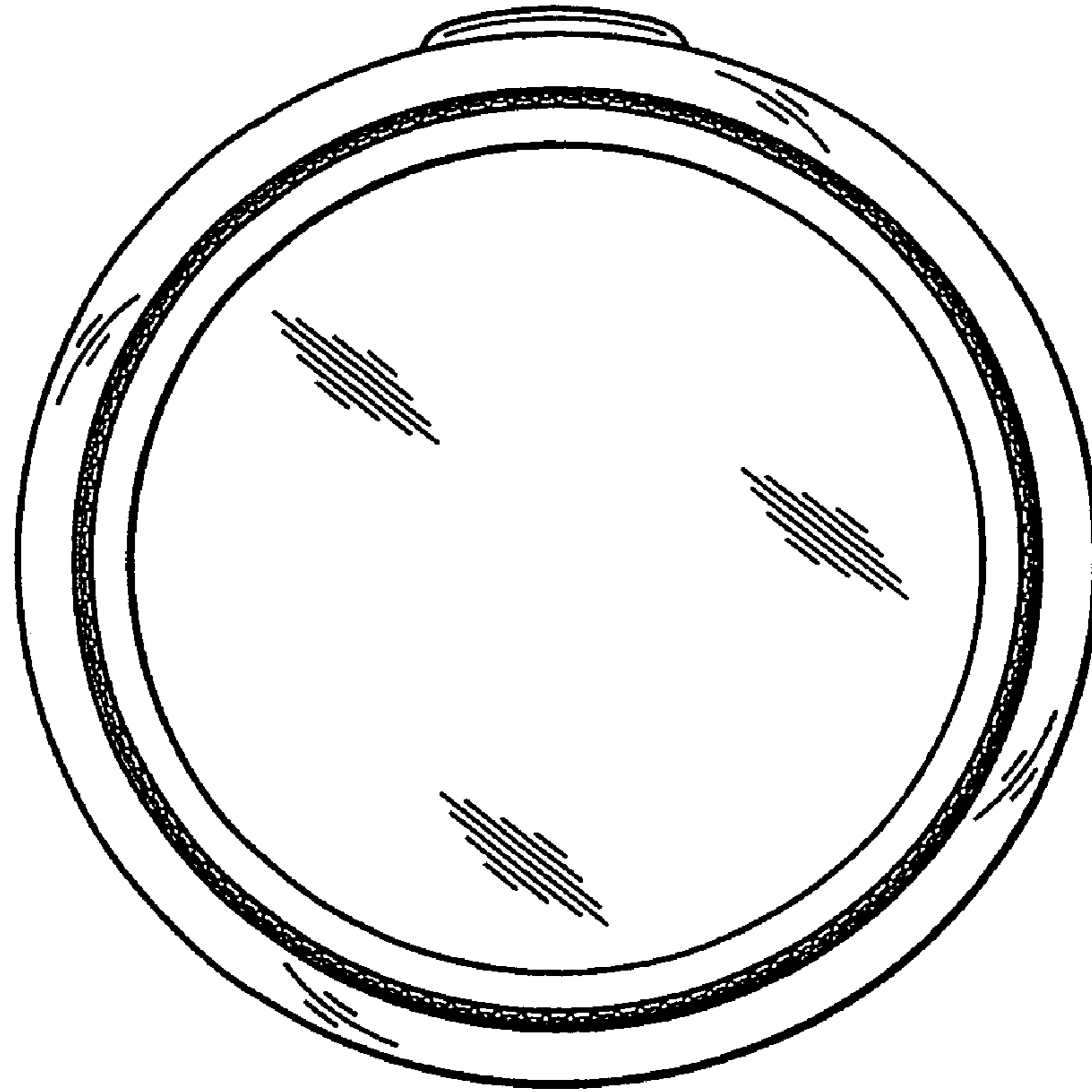


FIG. 7

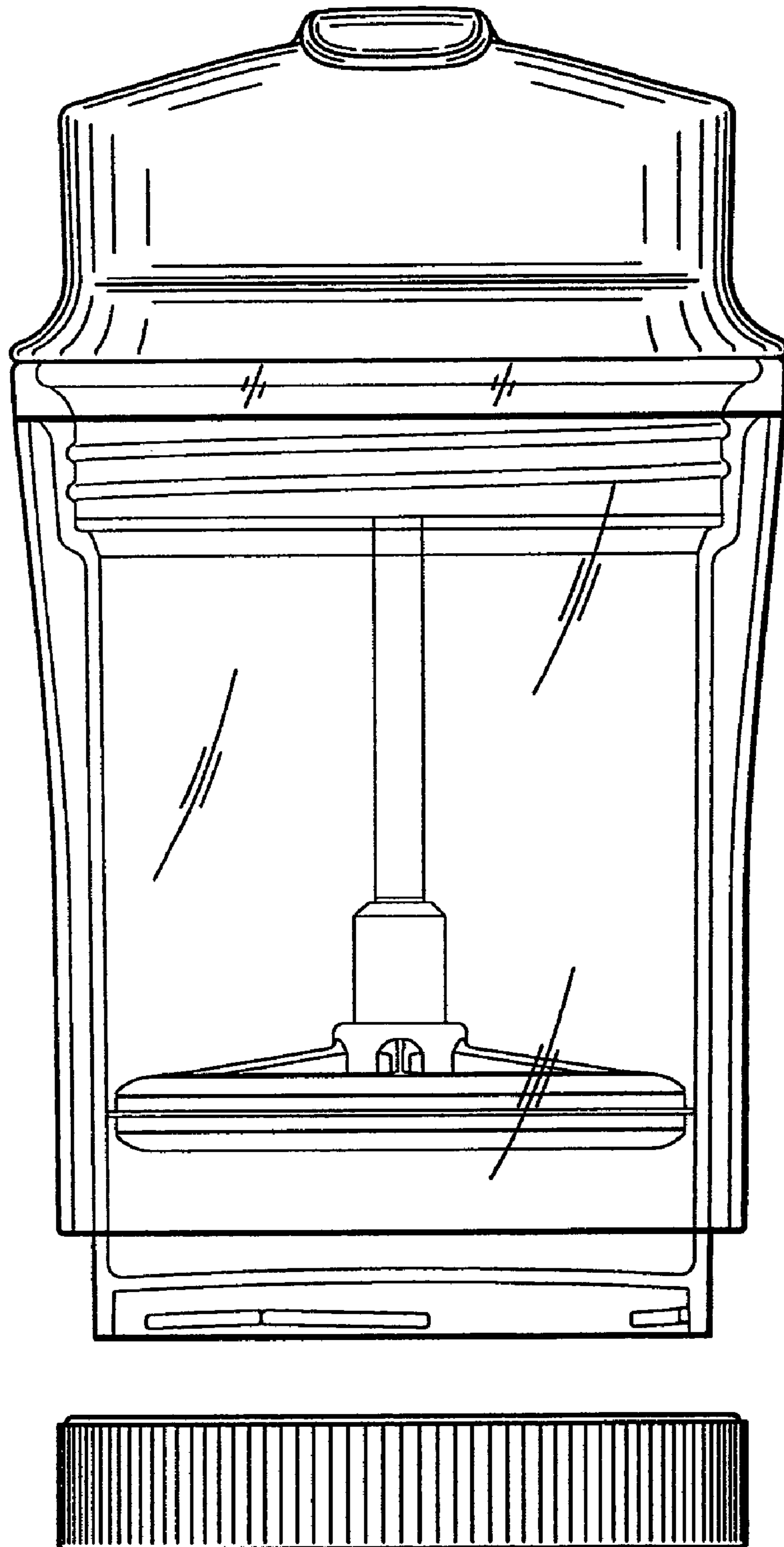


FIG. 8

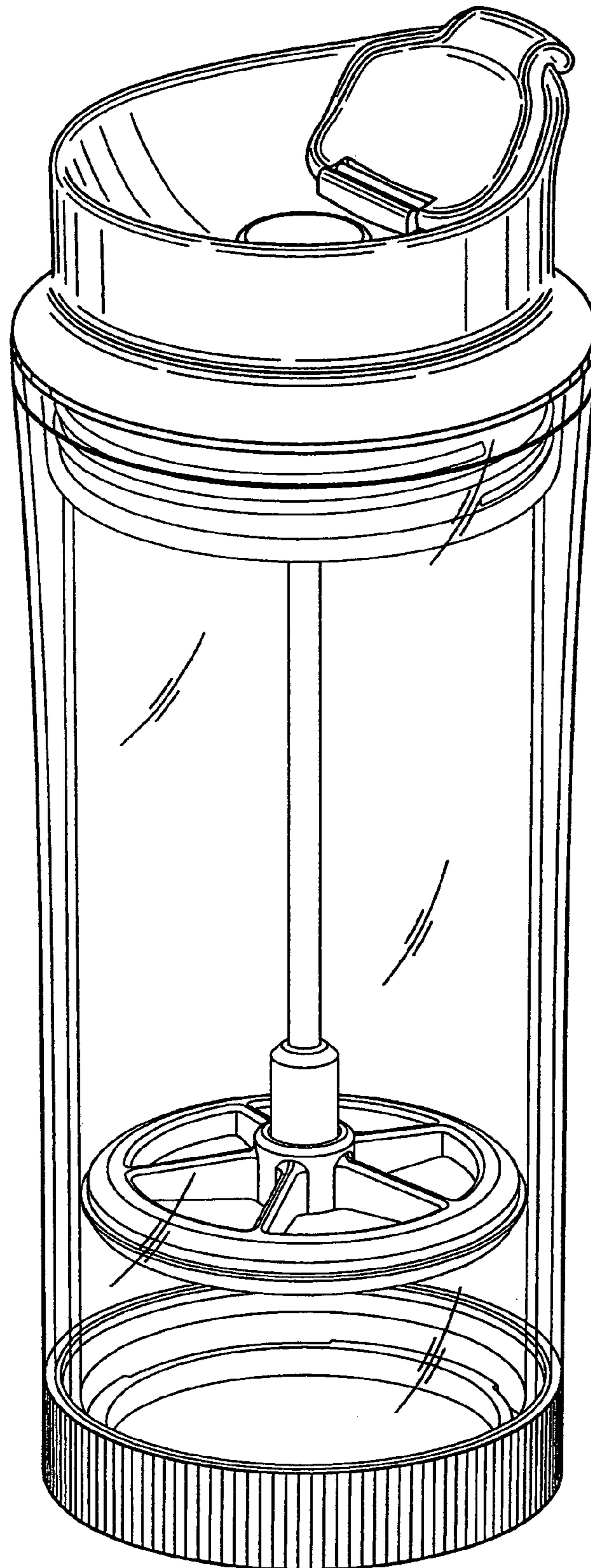


FIG. 9

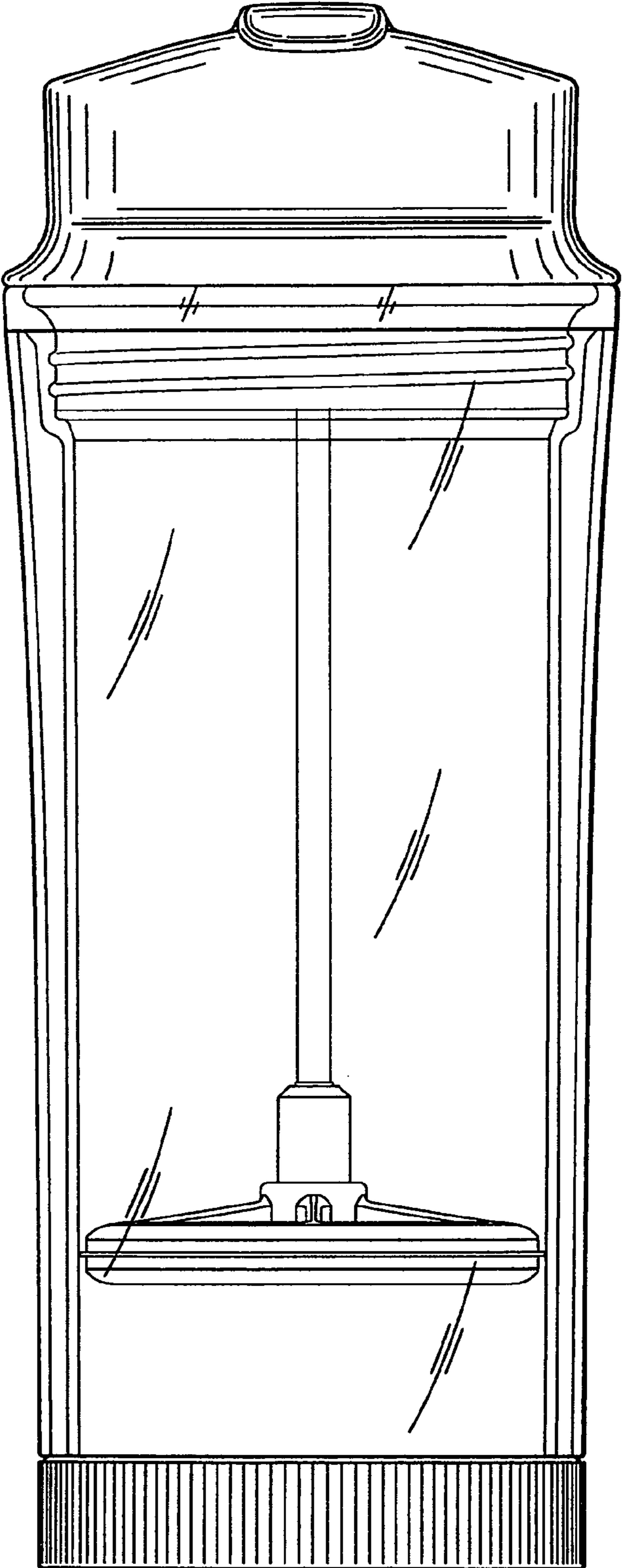


FIG. 10

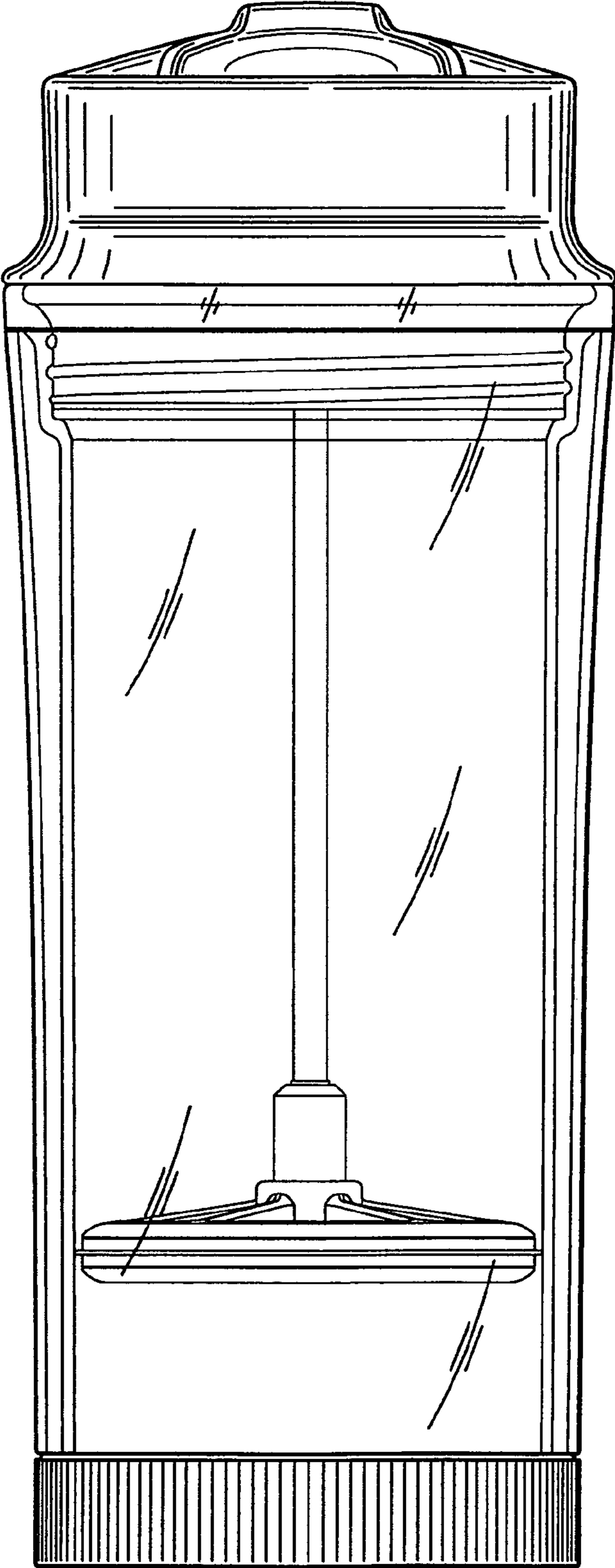


FIG. 11

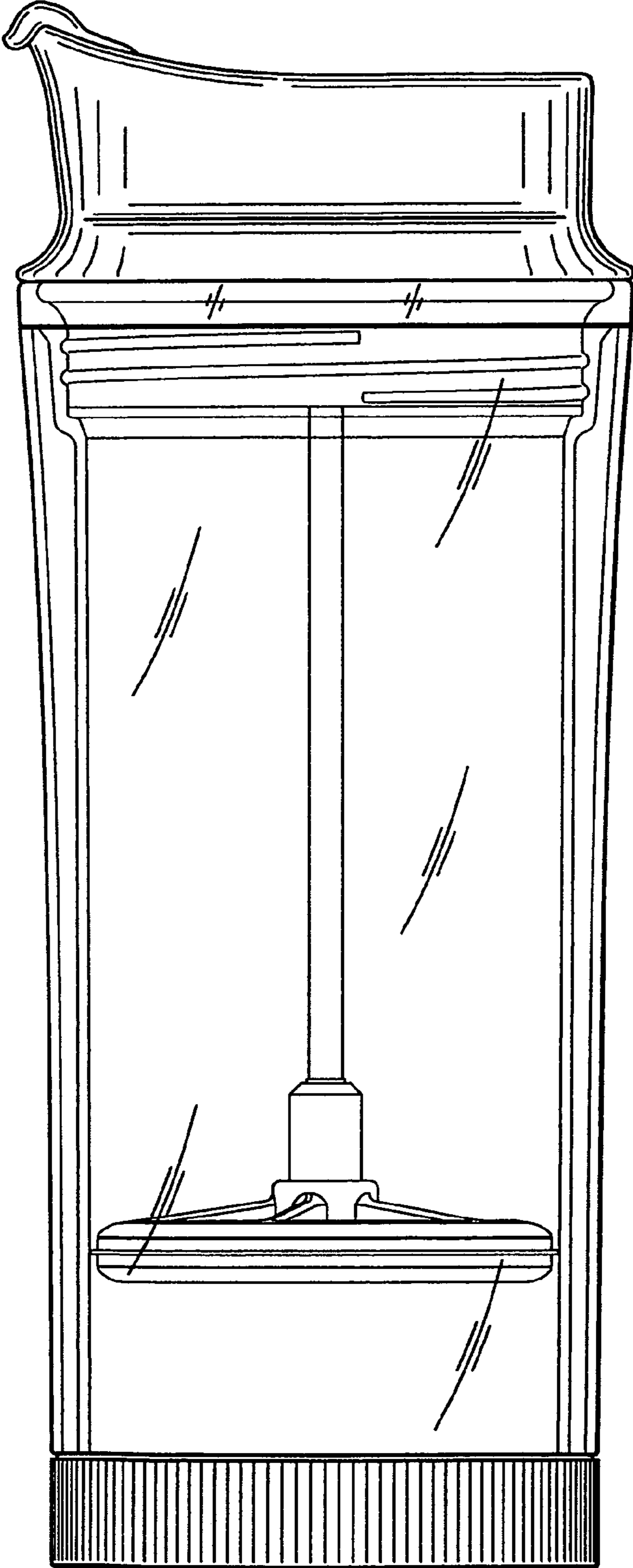


FIG. 12

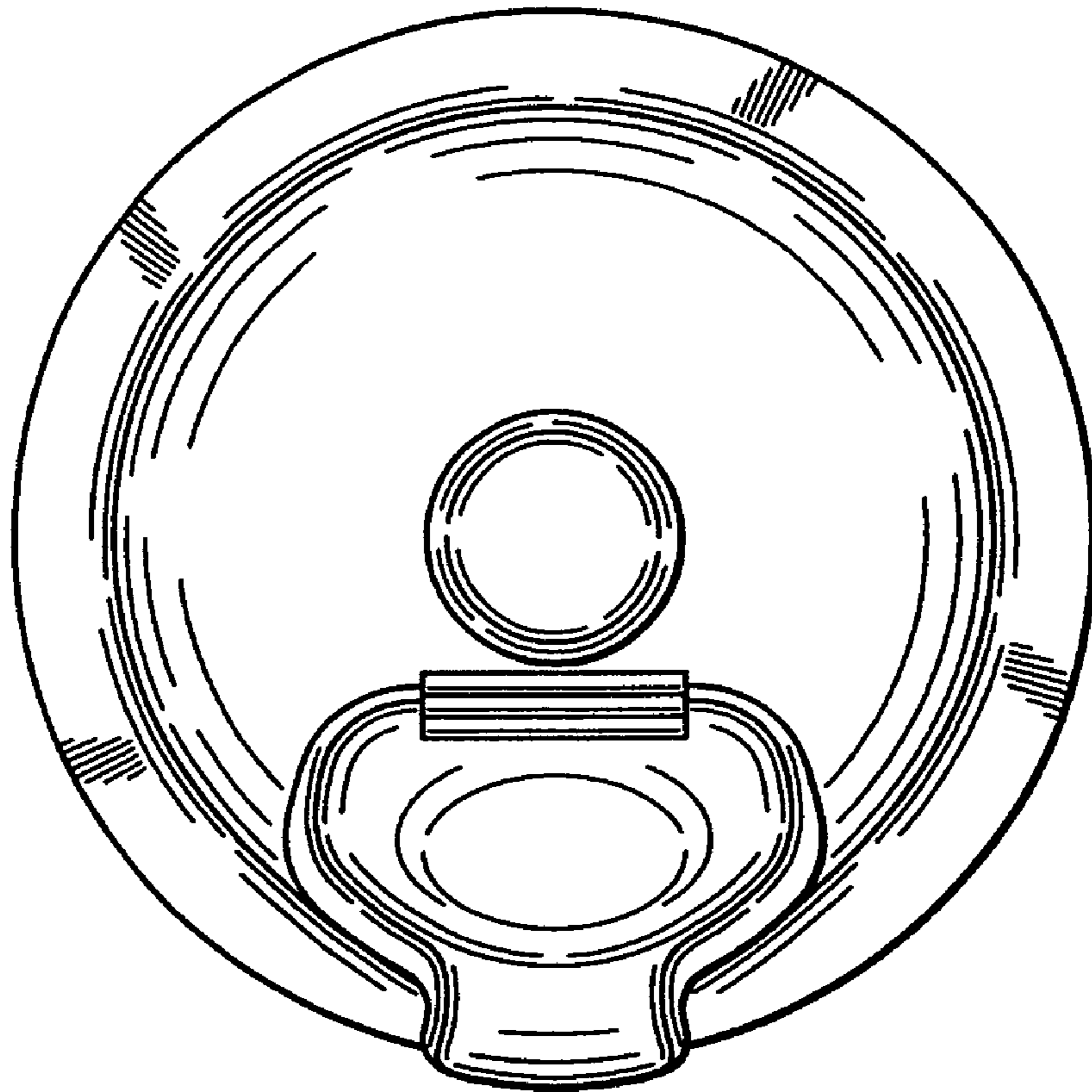


FIG. 13

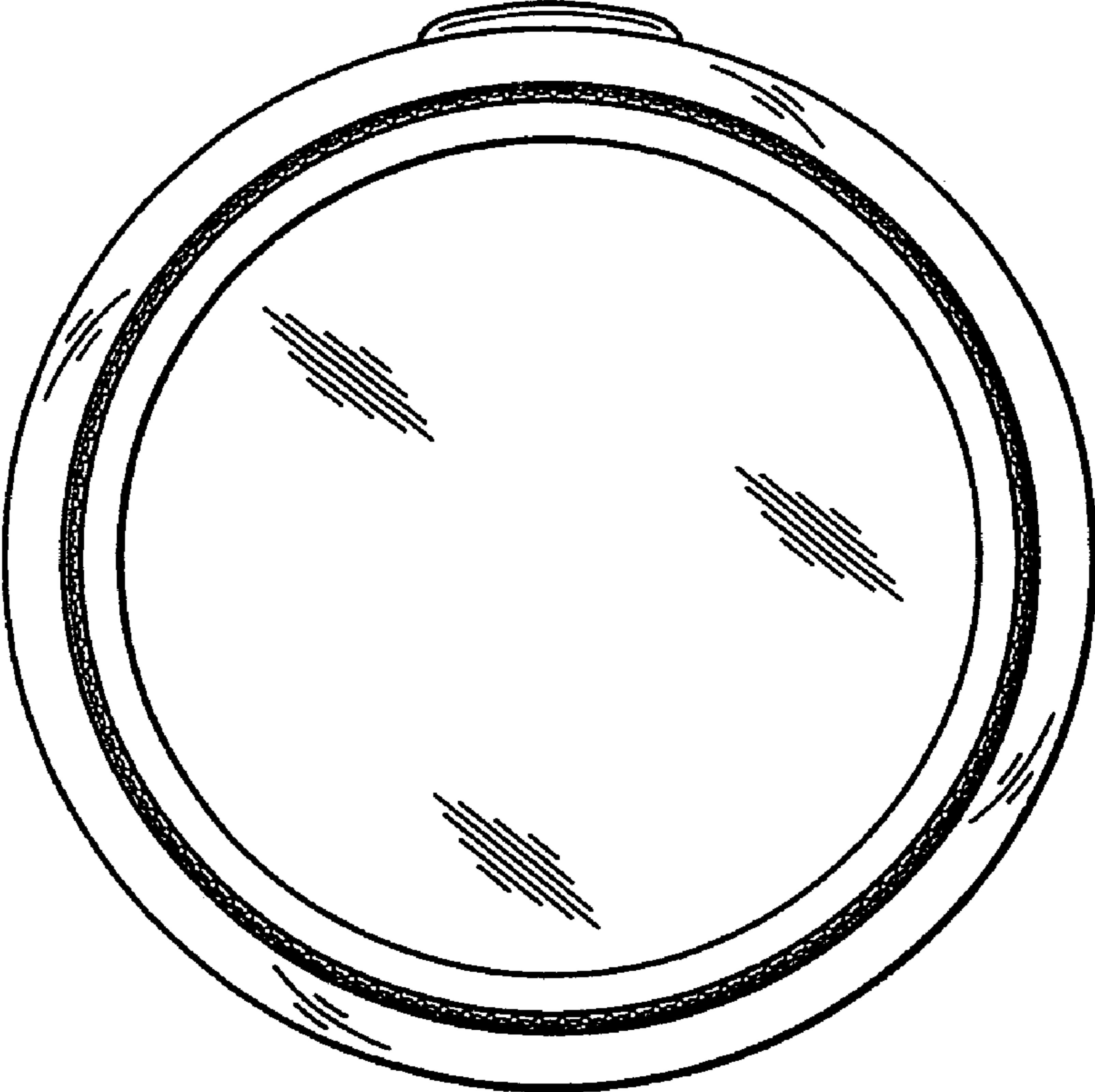


FIG. 14

