



US00D571609S

(12) **United States Design Patent**  
**Bouie**

(10) **Patent No.:** **US D571,609 S**  
(45) **Date of Patent:** **\*\* Jun. 24, 2008**

- (54) **CUP BOTTOM**
- (75) Inventor: **Tony V. Bouie**, Anthem, AZ (US)
- (73) Assignee: **Halo Cups, Inc.**, Anthem, AZ (US)
- (\*\*) Term: **14 Years**
- (21) Appl. No.: **29/282,824**
- (22) Filed: **Jul. 30, 2007**

**Related U.S. Application Data**

- (60) Division of application No. 29/267,169, filed on Oct. 6, 2006, now Pat. No. Des. 551,503, which is a continuation-in-part of application No. 11/442,020, filed on May 25, 2006, which is a continuation-in-part of application No. 11/297,959, filed on Dec. 8, 2005, which is a continuation-in-part of application No. 10/763,520, filed on Jan. 23, 2004.

- (51) **LOC (8) Cl.** ..... **07-99**
- (52) **U.S. Cl.** ..... **D7/396.6; D7/396.2**
- (58) **Field of Classification Search** ..... **D7/396.6, D7/396.2, 619.1, 624.1, 509-532; 220/713, 220/715, 737, 739, 711, 592.16, 592.17; 215/387, DIG. 7**

See application file for complete search history.

(56) **References Cited**

**U.S. PATENT DOCUMENTS**

1,755,086	A	4/1930	Tapp	
3,069,046	A	12/1962	Gram	
3,393,826	A	7/1968	Brown	
3,354,736	A	10/1970	Meyers	
3,810,470	A *	5/1974	Von Gunten	604/78
3,841,528	A	10/1974	Eisenberg	
3,900,106	A *	8/1975	Cantales	206/519
D240,285	S *	6/1976	Sarpaneva	D7/509
4,043,478	A	8/1977	Duncan	
4,420,092	A	12/1983	Finkelstein	
4,573,631	A	3/1986	Reeves	
5,050,759	A	9/1991	Marble	

5,244,106	A	9/1993	Takacs	
5,407,098	A	4/1995	Tomer	
5,460,264	A	10/1995	Rupert	
5,605,241	A	2/1997	Imperioli	
5,645,191	A	7/1997	Neville	
D389,700	S *	1/1998	Bingham	D7/509
5,897,010	A	4/1999	Soyka	
6,047,852	A	4/2000	Evans	
D434,943	S	12/2000	Price	
6,164,488	A	12/2000	Solland et al.	
6,176,420	B1	1/2001	Sarson	
D446,687	S *	8/2001	Furman et al.	D7/523
D461,098	S *	8/2002	Lin	D7/536
6,502,713	B1	1/2003	Baker	
D474,367	S *	5/2003	Turchi et al.	D7/316
D477,183	S *	7/2003	Janky	D7/509
D479,946	S *	9/2003	Jalet et al.	D7/392.1
D480,601	S *	10/2003	Pettaweebuncha	D7/513

(Continued)

*Primary Examiner*—Marianne Pandozzi

(74) *Attorney, Agent, or Firm*—Jeffers Mangels; Butler & Marmaro LLP

(57) **CLAIM**

The ornamental design for a cup bottom, as shown and described.

**DESCRIPTION**

FIG. 1 is a perspective view of the cup bottom in accordance with an embodiment of the present invention;

FIG. 2 is a front elevational view of the cup bottom of FIG. 1;

FIG. 3 is a rear elevational view of the cup bottom of FIG. 1;

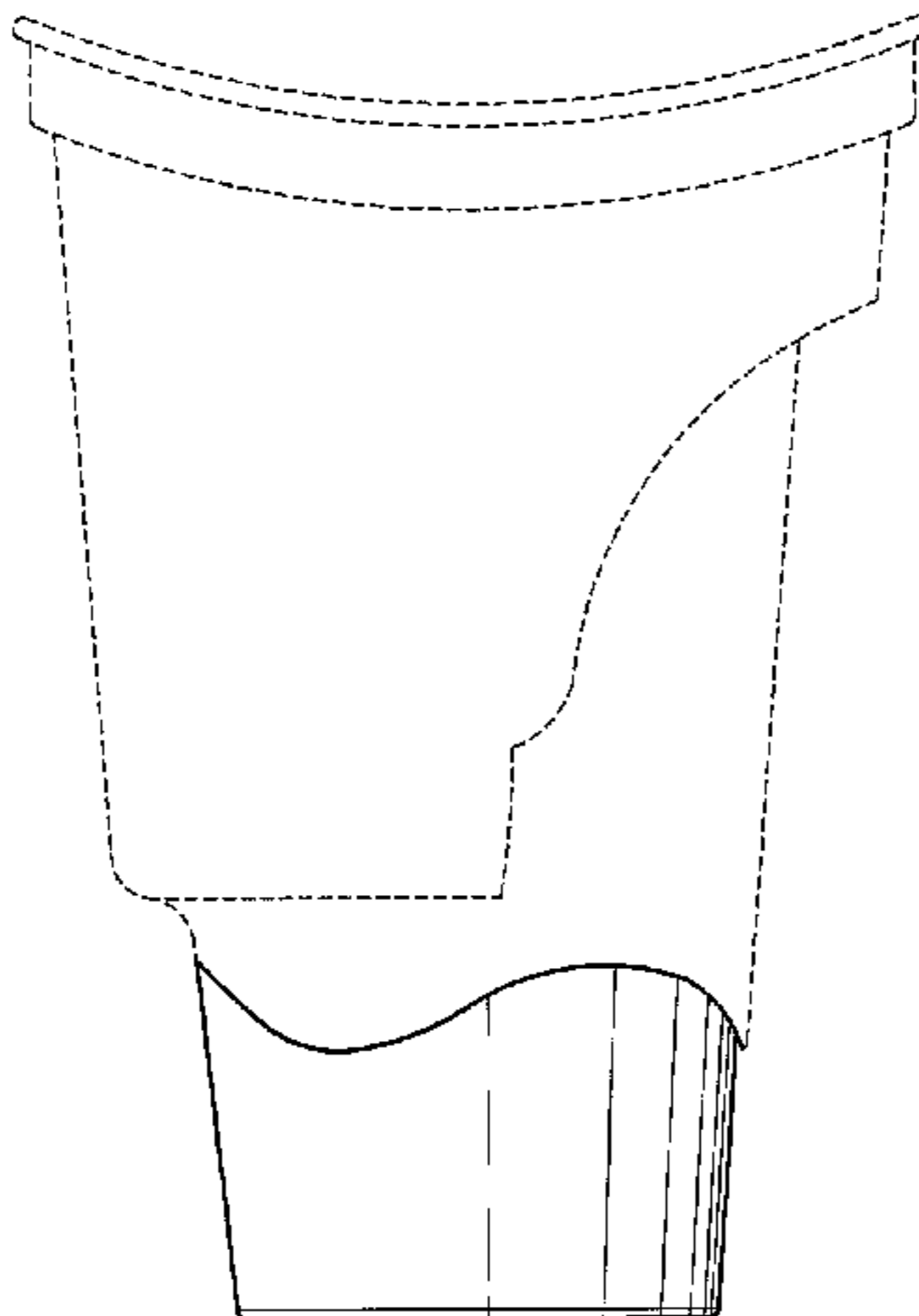
FIG. 4 is a left side elevational view of the cup bottom of FIG. 1, the right side elevational view being a mirror image thereof;

FIG. 5 is a top plan view of the cup bottom of FIG. 1; and,

FIG. 6 is a bottom plan view of the cup bottom of FIG. 1.

The broken lines showing the upper portion of the cup in FIGS. 1–6 are for illustrative purposes only and form no part of the claimed design.

**1 Claim, 6 Drawing Sheets**



# US D571,609 S

Page 2

---

## U.S. PATENT DOCUMENTS

6,688,469 B1	2/2004	Barnes			
D507,458 S *	7/2005	Allen et al.	.....	D7/532	
D507,932 S *	8/2005	Cintron et al.	.....	D7/396.6	
D507,934 S *	8/2005	Featherston et al.	.....	D7/510	
D514,884 S *	2/2006	Smith et al.	.....	D7/509	
D519,782 S *	5/2006	Schuler et al.	.....	D7/509	
D523,692 S *	6/2006	Meehan	.....	D7/507	
D529,761 S *	10/2006	Trombly	.....	D7/509	
D530,569 S *	10/2006	Hsu	.....	D7/509	
D530,980 S *	10/2006	Zerillo et al.	.....	D7/509	
D531,854 S *	11/2006	Bresler	.....	D7/396.6	
D533,748 S *	12/2006	Bresler	.....	D7/523	
D535,520 S *	1/2007	Cundieff	.....	D7/396.6	
D537,677 S *	3/2007	Bresler	.....	D7/523	

\* cited by examiner

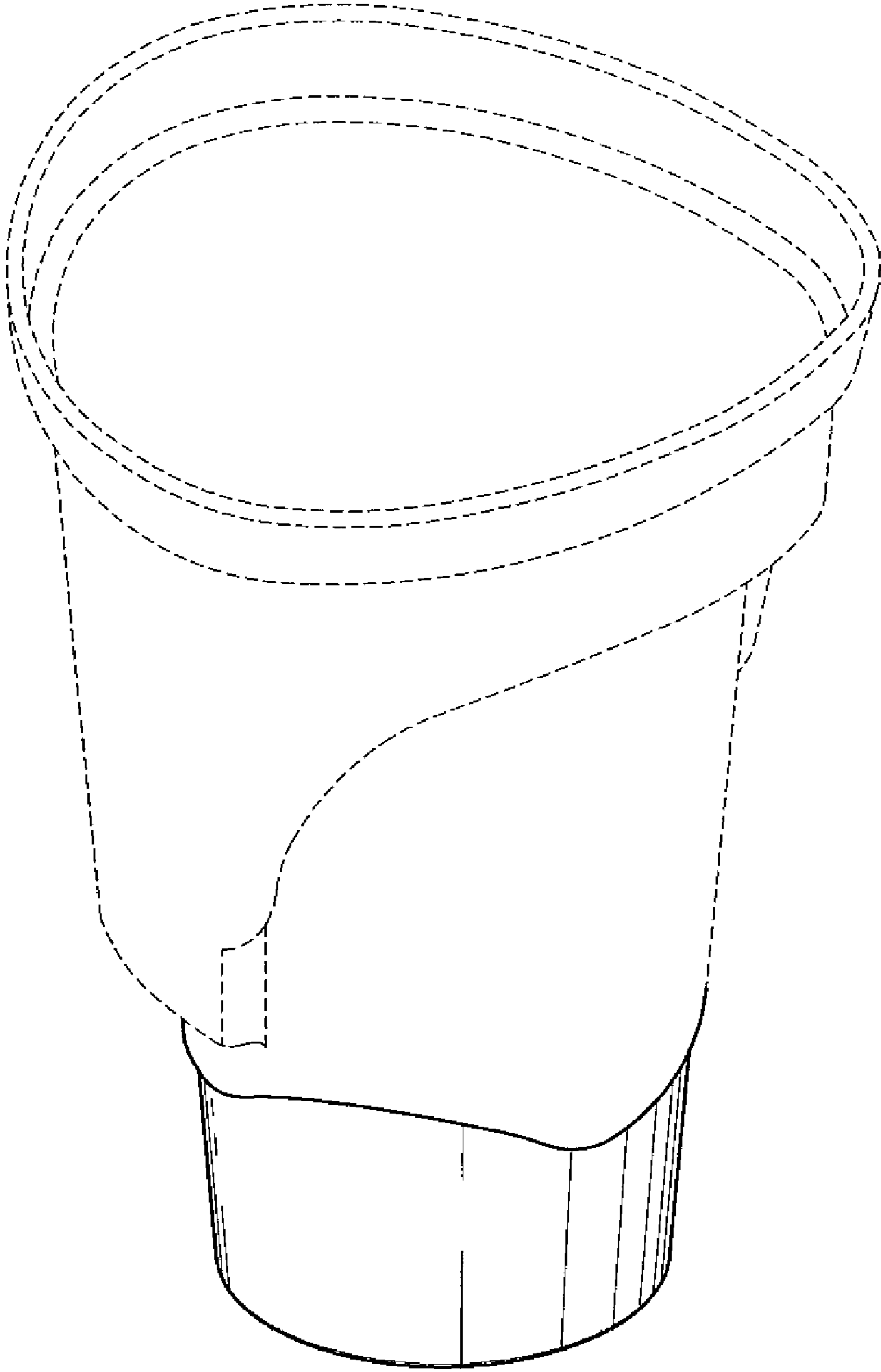


FIG. 1

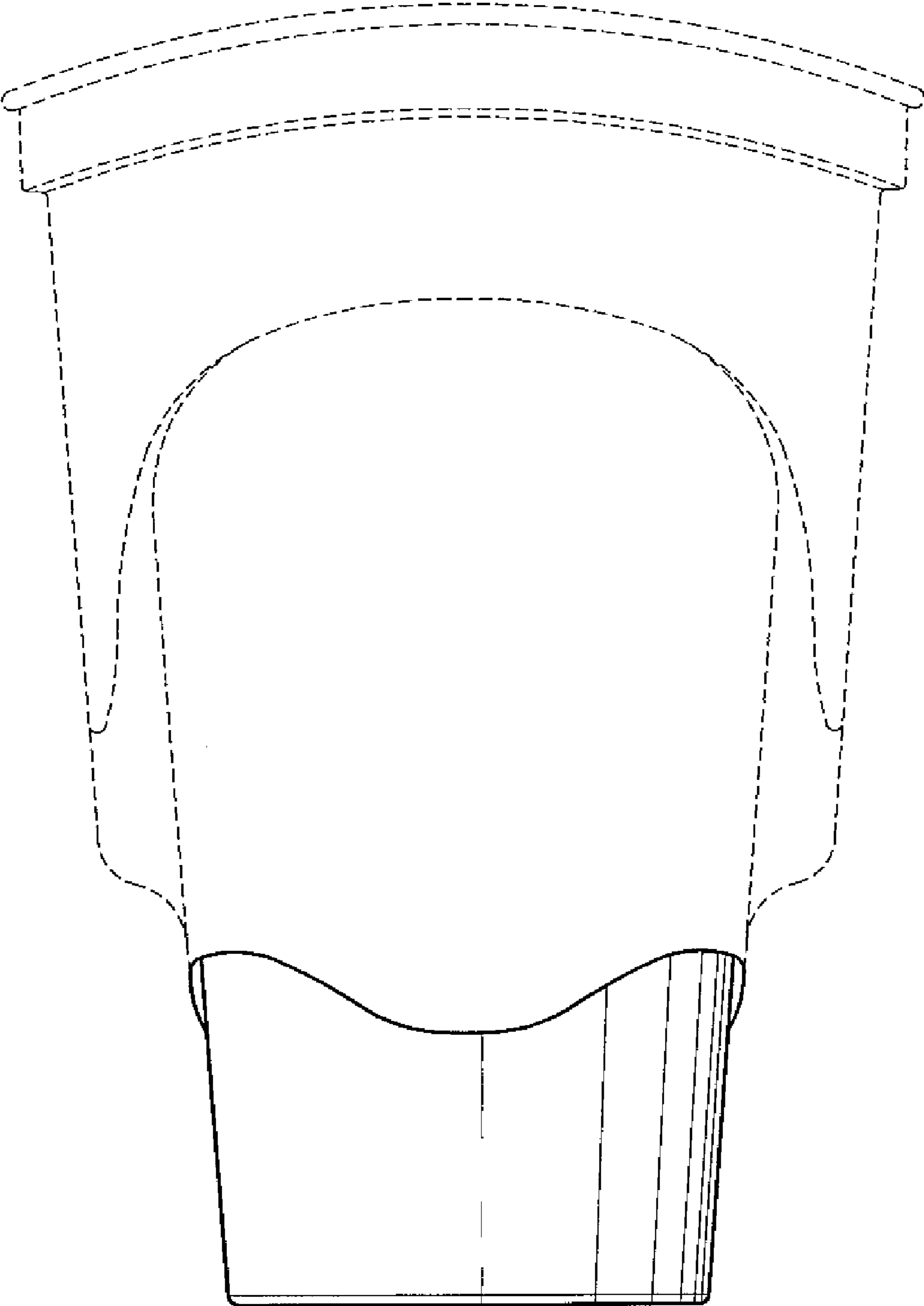


FIG. 2

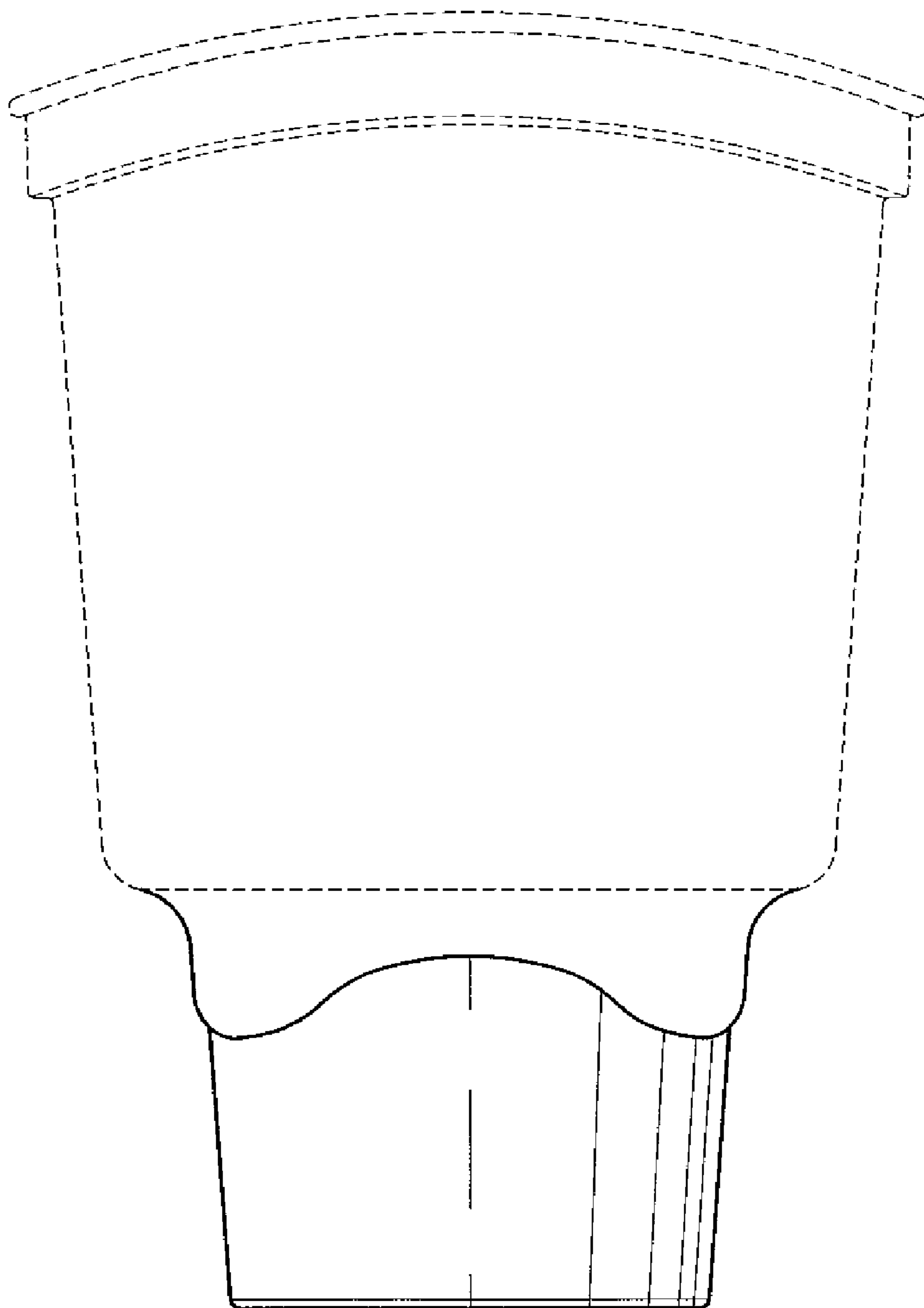


FIG. 3

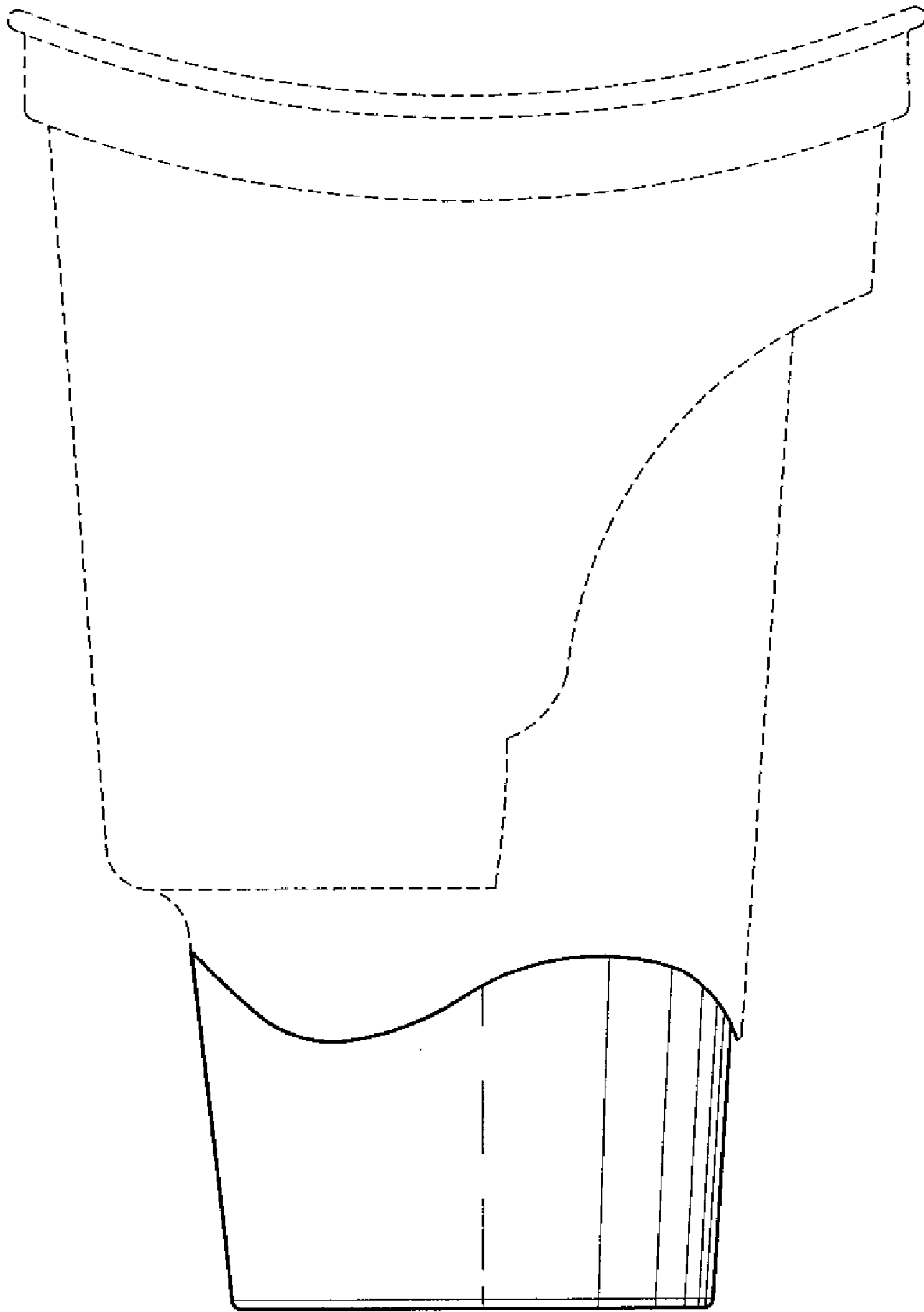


FIG. 4

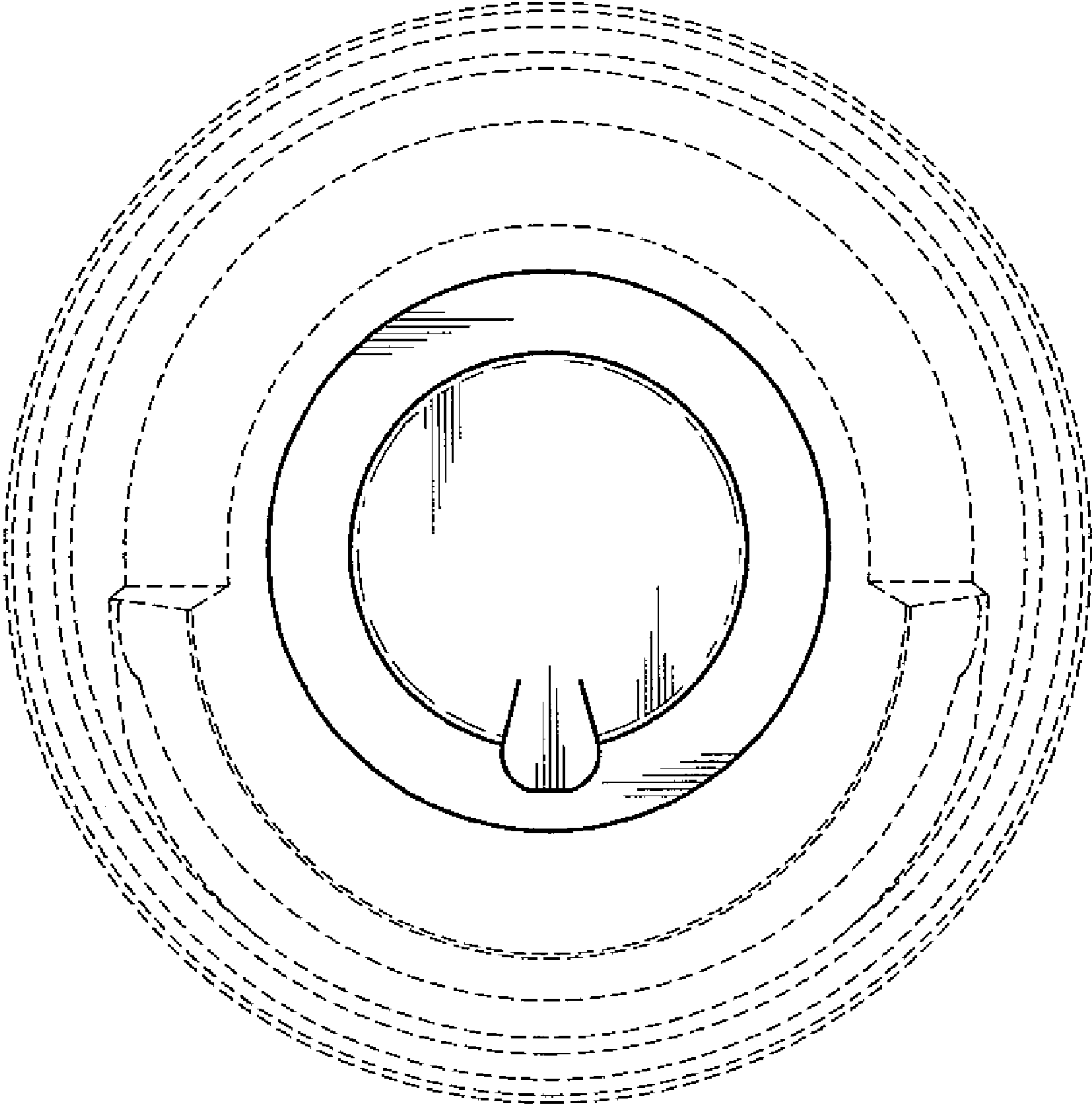


FIG. 5

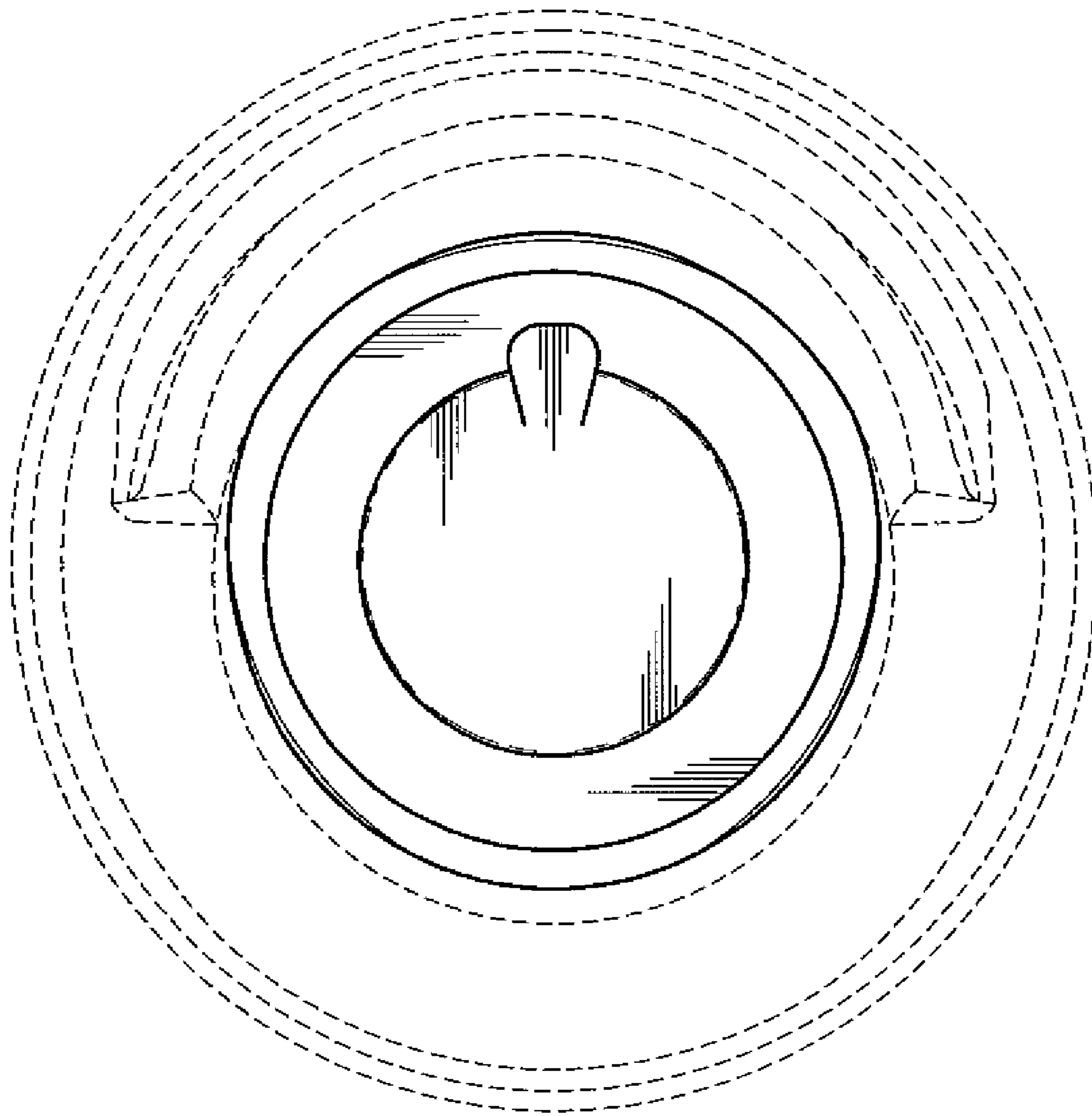


FIG. 6