



US00D571605S

(12) **United States Design Patent**
Chung

(10) **Patent No.:** **US D571,605 S**
(45) **Date of Patent:** **** Jun. 24, 2008**

(54) **BARBECUE GRILL**

(76) Inventor: **Kiosky Chung**, No. 72, Chaoguei Rd.,
Situn District, Taichung City 407 (TW)

(**) Term: **14 Years**

(21) Appl. No.: **29/297,433**

(22) Filed: **Nov. 9, 2007**

(51) **LOC (8) Cl.** **07-02**

(52) **U.S. Cl.** **D7/334**

(58) **Field of Classification Search** D7/332,
D7/334, 335, 336, 402-405; 126/25 R, 25 A,
126/25 AA, 9 R, 37 R, 41 R, 40, 50, 304 R,
126/305, 268, 276; 312/249.8, 249.13
See application file for complete search history.

(56) **References Cited**

U.S. PATENT DOCUMENTS

D503,065 S *	3/2005	Pai	D7/334
D521,308 S *	5/2006	Tseng	D7/334
D528,349 S *	9/2006	Chung	D7/334
D533,011 S *	12/2006	Pai	D7/334
D546,616 S *	7/2007	Tseng	D7/334
D549,511 S *	8/2007	Chung	D7/334

D549,512 S *	8/2007	Chung	D7/334
D549,514 S *	8/2007	Chung	D7/334
D560,418 S *	1/2008	Chau et al.	D7/334

* cited by examiner

Primary Examiner—Ruth McInroy
(74) *Attorney, Agent, or Firm*—Banger Shia

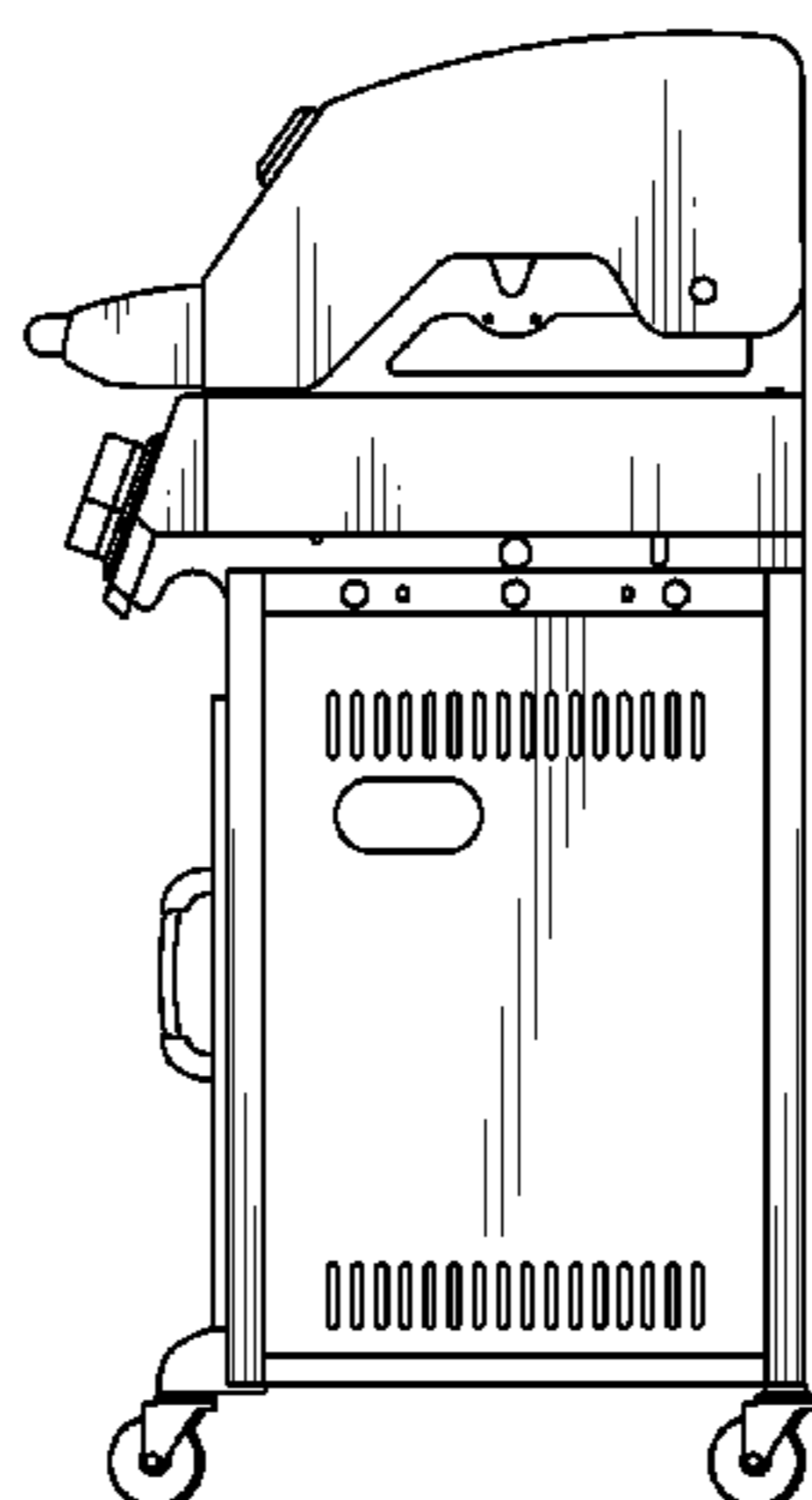
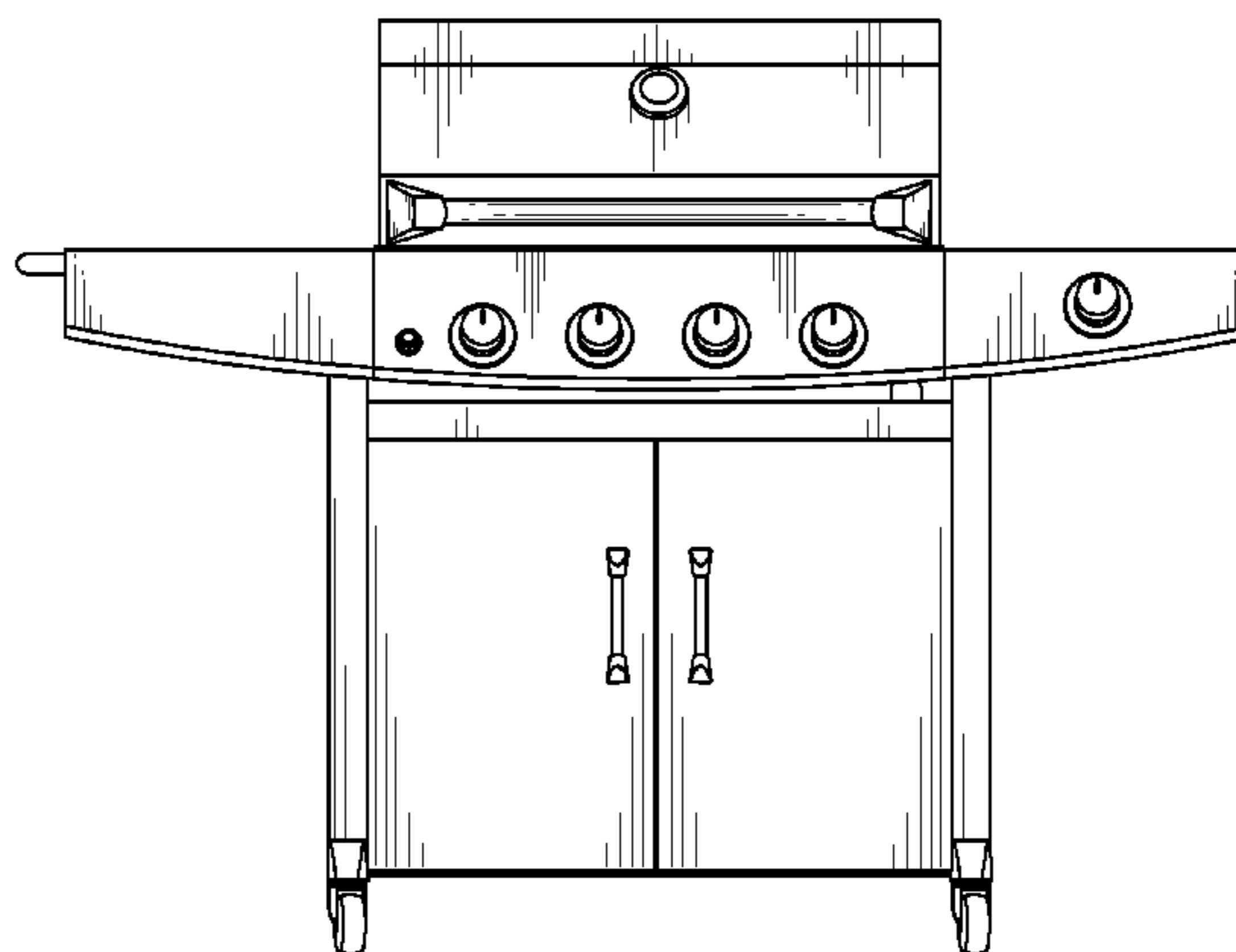
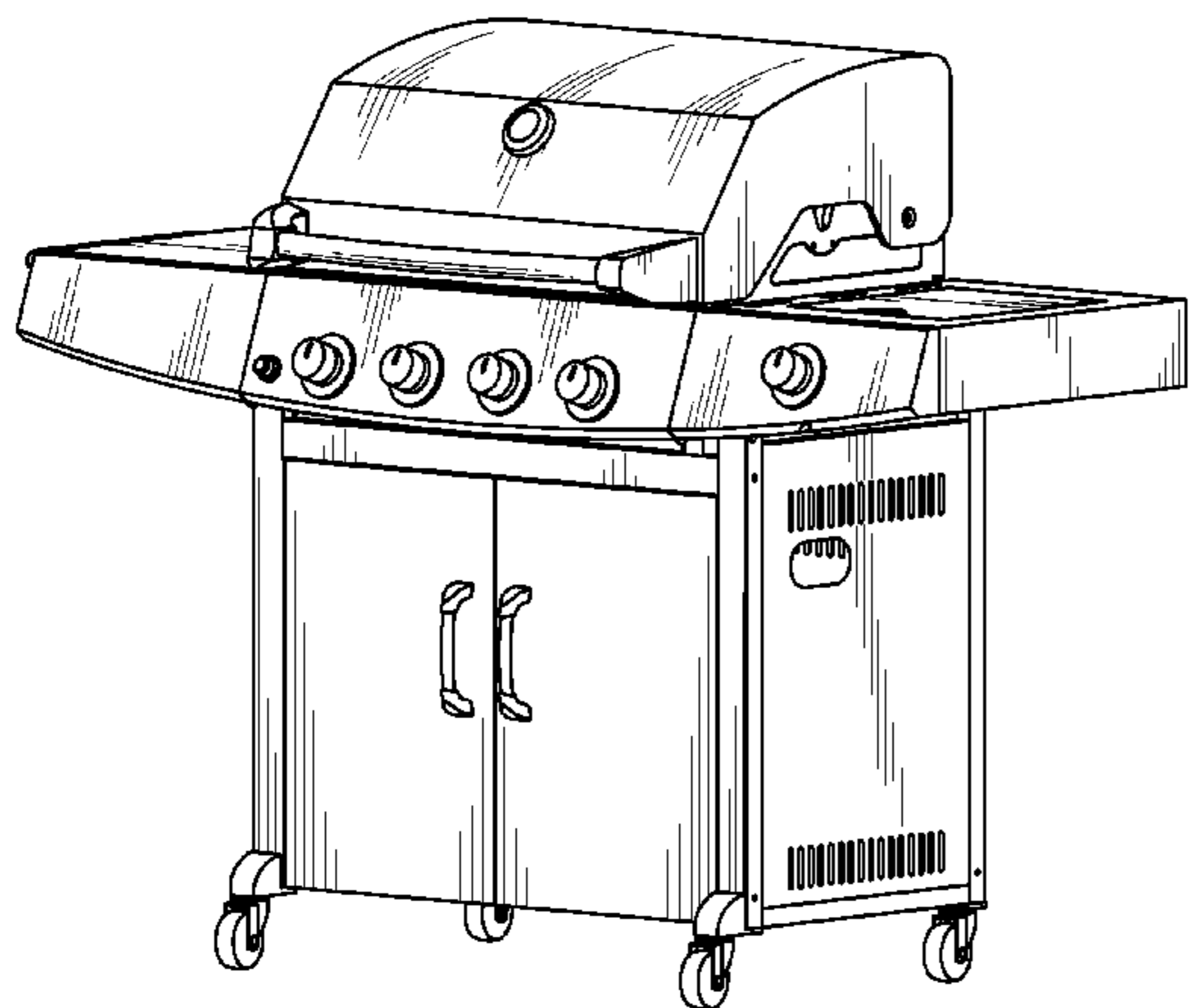
(57) **CLAIM**

I claim the ornamental design for a barbecue grill, as shown and described.

DESCRIPTION

FIG. 1 is a perspective view of a barbecue grill, showing my new design;
FIG. 2 is a front elevational view thereof;
FIG. 3 is a rear elevational view thereof;
FIG. 4 is a left side elevational view thereof;
FIG. 5 is a right side elevational view thereof;
FIG. 6 is a top plan view thereof; and,
FIG. 7 is a bottom plan view thereof.

1 Claim, 7 Drawing Sheets



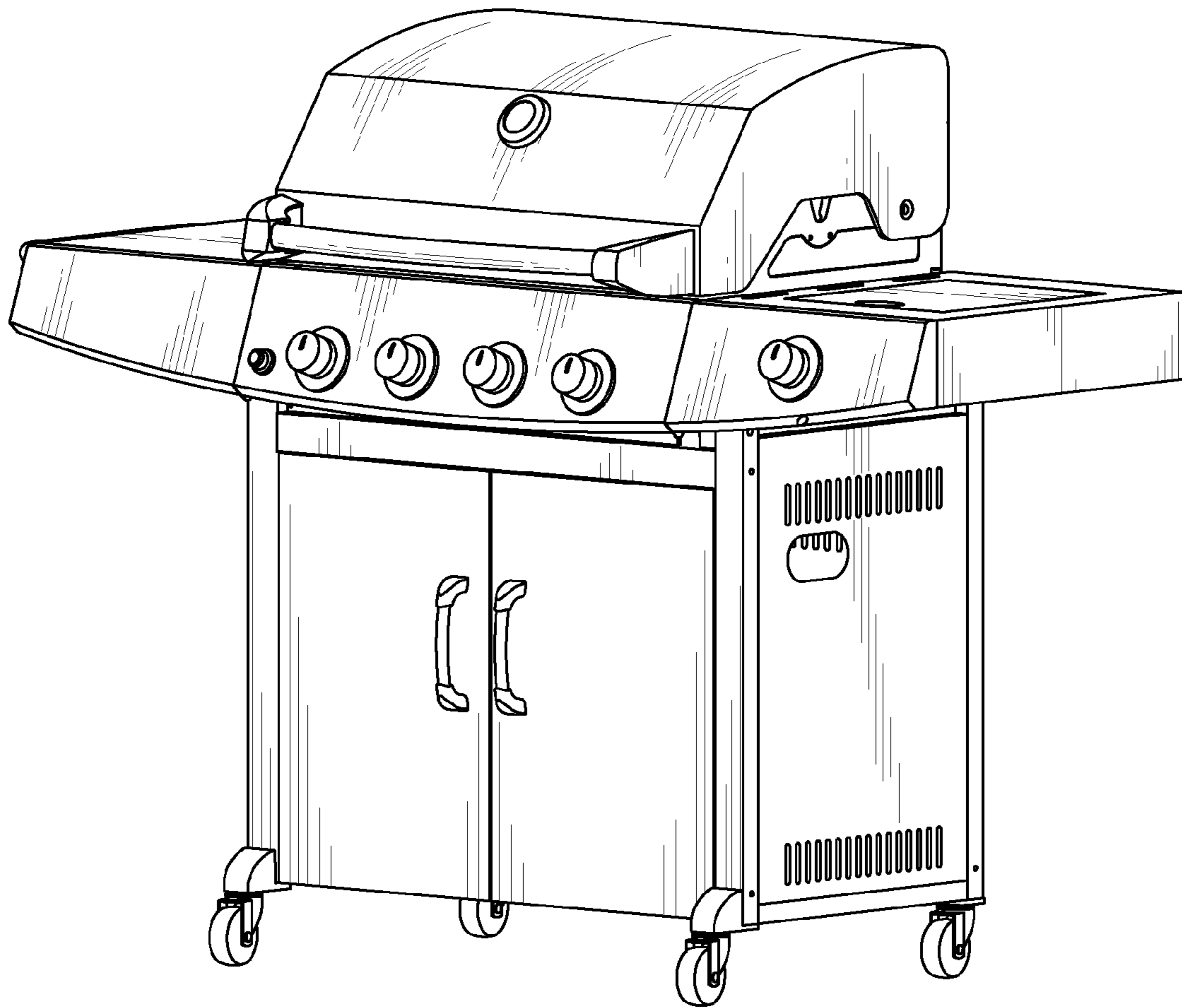


FIG. 1

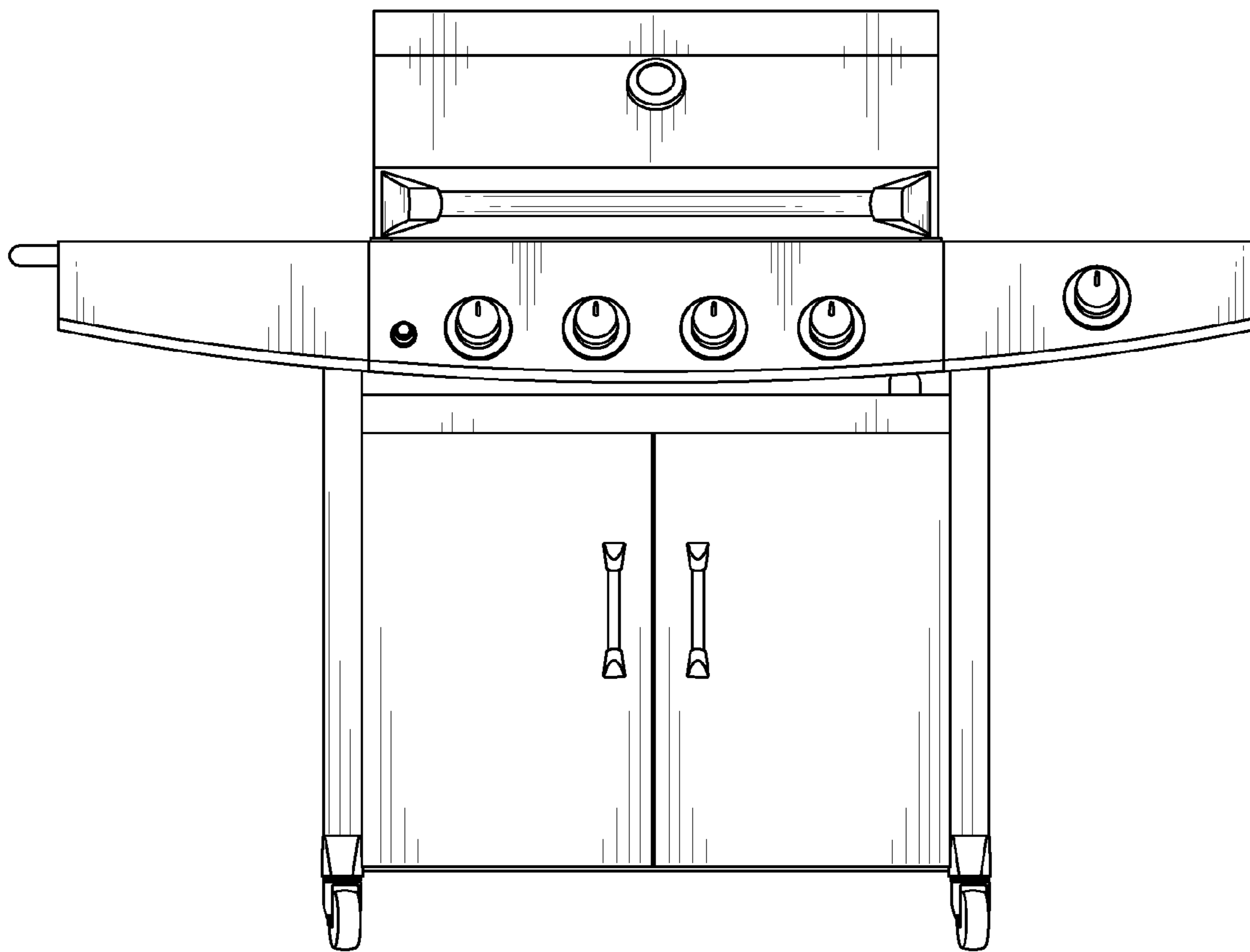


FIG. 2

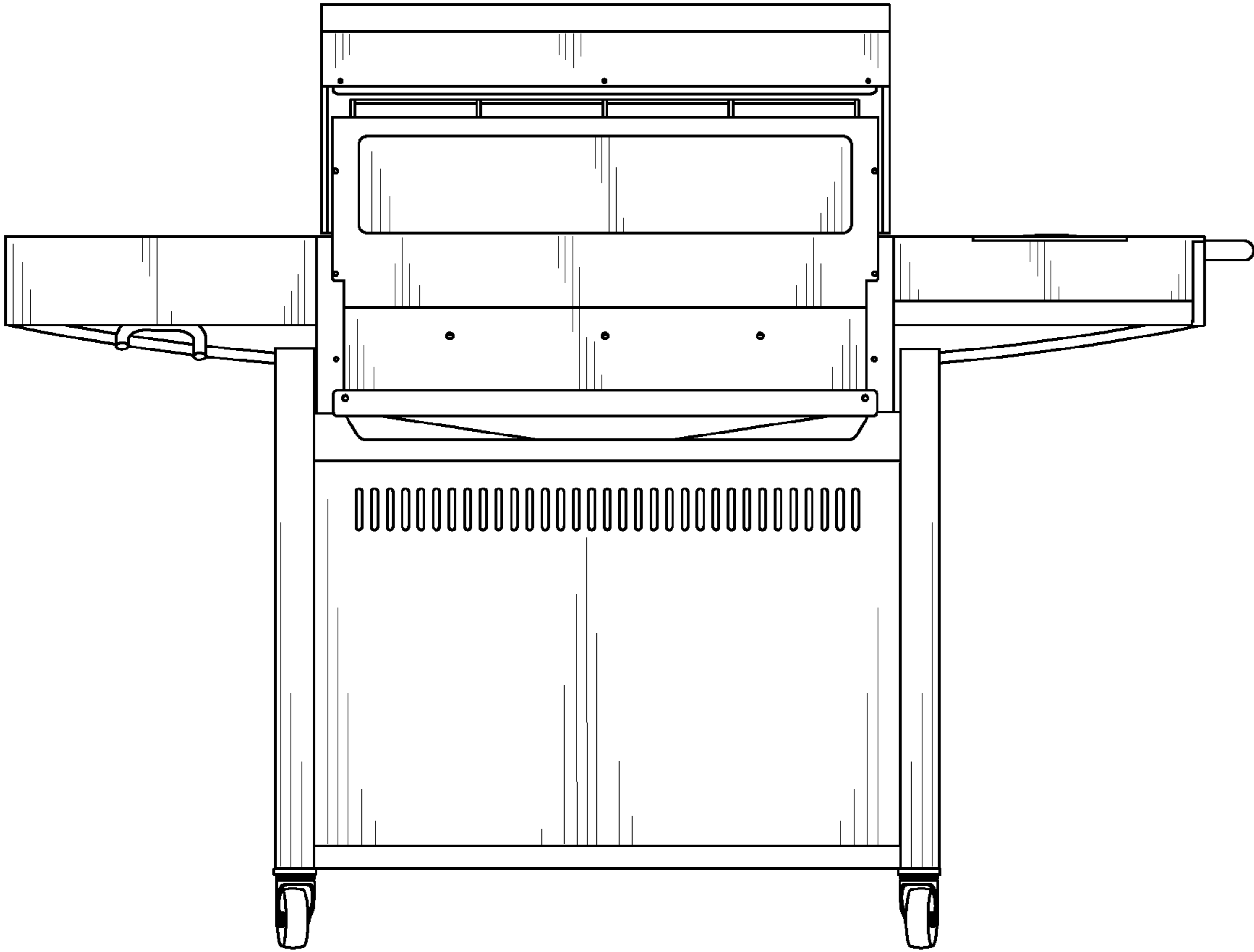


FIG. 3

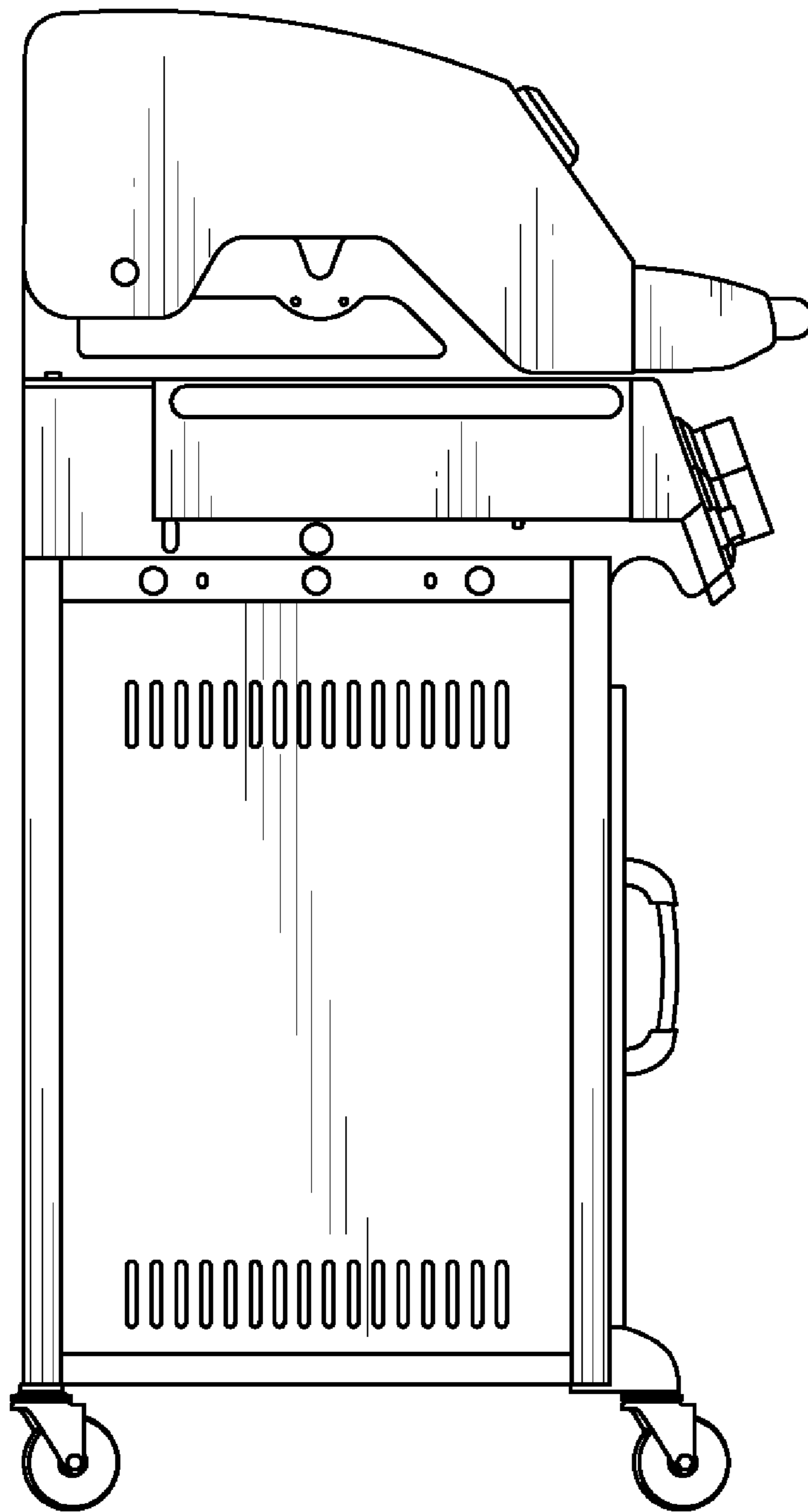


FIG. 4

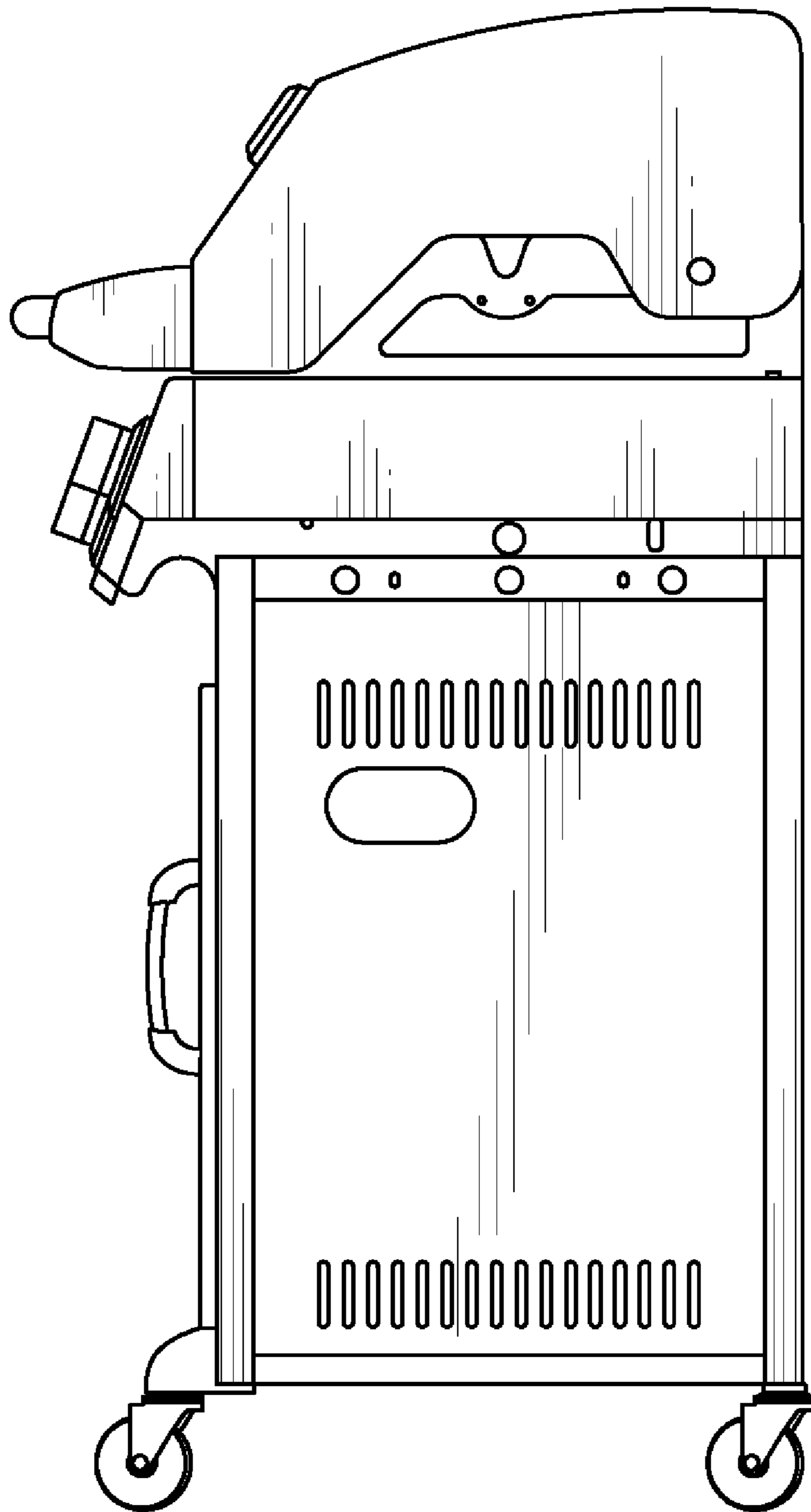


FIG. 5

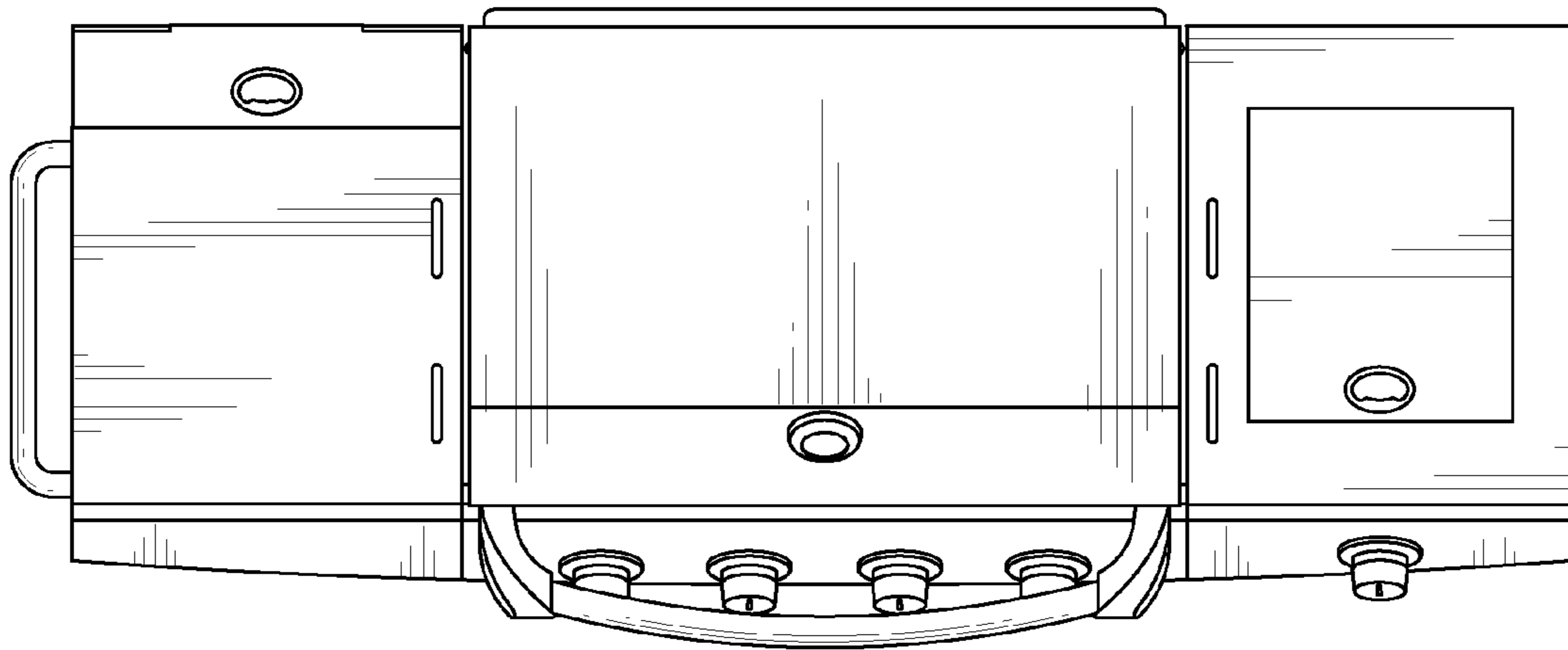


FIG. 6

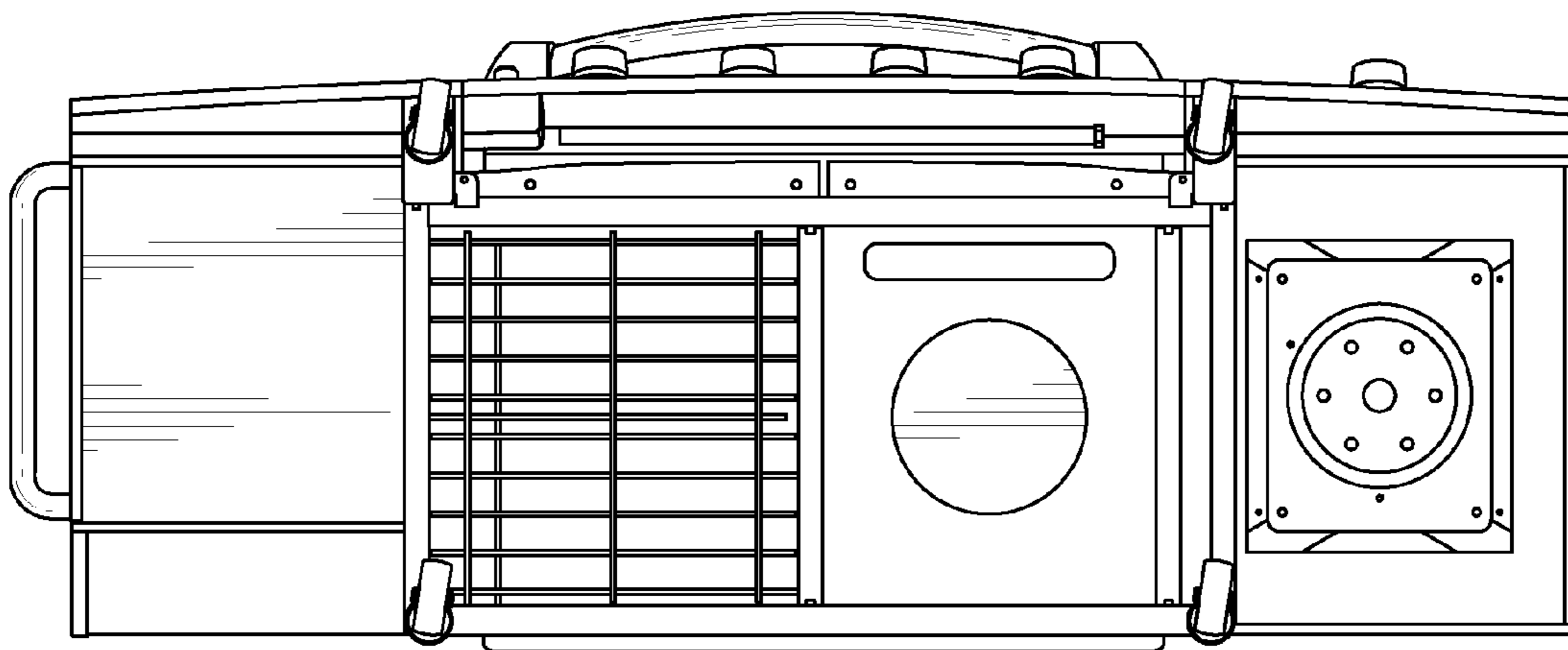


FIG. 7