



US00D571604S

(12) **United States Design Patent**  
**Chung**

(10) **Patent No.:** **US D571,604 S**

(45) **Date of Patent:** **\*\* Jun. 24, 2008**

(54) **BARBECUE GRILL**

(76) Inventor: **Kiosky Chung**, 8F-1, No. 497,  
Jhongming S. Rd., West District,  
Taichung City 403 (TW)

(\*\*) Term: **14 Years**

(21) Appl. No.: **29/283,368**

(22) Filed: **Aug. 12, 2007**

(51) **LOC (8) Cl.** ..... **07-02**

(52) **U.S. Cl.** ..... **D7/334**

(58) **Field of Classification Search** ..... D7/332,  
D7/334, 335, 336, 402-405; 126/25 R, 25 A,  
126/25 AA, 9 R, 37 R, 41 R, 40, 50, 304 R,  
126/305, 268, 276; 312/249.8, 249.13  
See application file for complete search history.

(56) **References Cited**

**U.S. PATENT DOCUMENTS**

- D406,489 S \* 3/1999 Williams et al. .... D7/334
- D521,308 S \* 5/2006 Tseng ..... D7/334
- D528,349 S \* 9/2006 Chung ..... D7/334
- D535,139 S \* 1/2007 Lutz ..... D7/334

- D541,575 S \* 5/2007 Lutz ..... D7/334
- D541,576 S \* 5/2007 Lutz ..... D7/334
- D549,511 S \* 8/2007 Chung ..... D7/334
- D549,512 S \* 8/2007 Chung ..... D7/334

\* cited by examiner

*Primary Examiner*—Ruth McInroy

(74) *Attorney, Agent, or Firm*—Banger Shia

(57) **CLAIM**

I claim the ornamental design for a barbecue grill, as shown and described.

**DESCRIPTION**

FIG. 1 is a perspective view of a barbecue grill, showing my new design;

FIG. 2 is a front elevational view thereof;

FIG. 3 is a rear elevational view thereof;

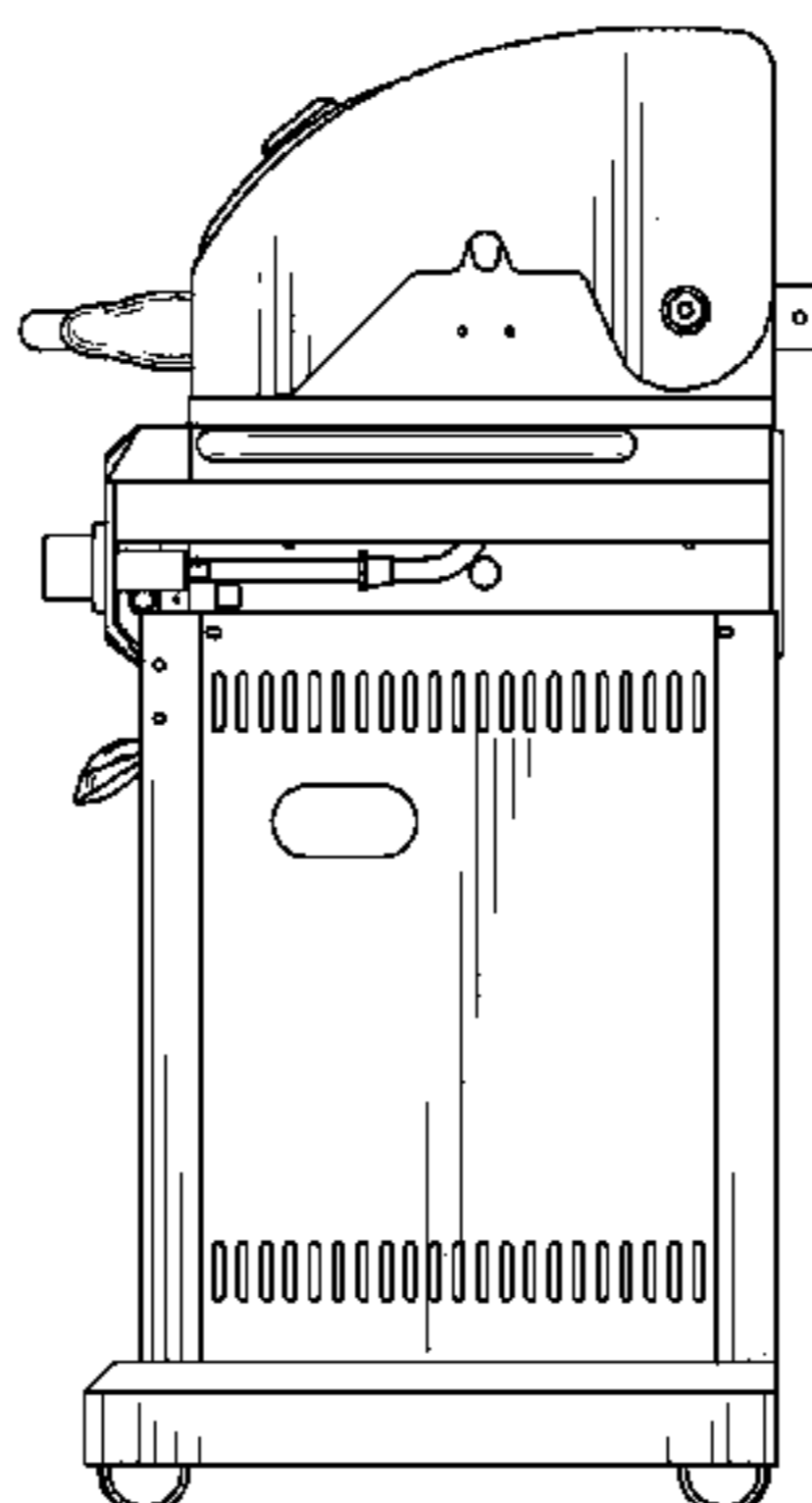
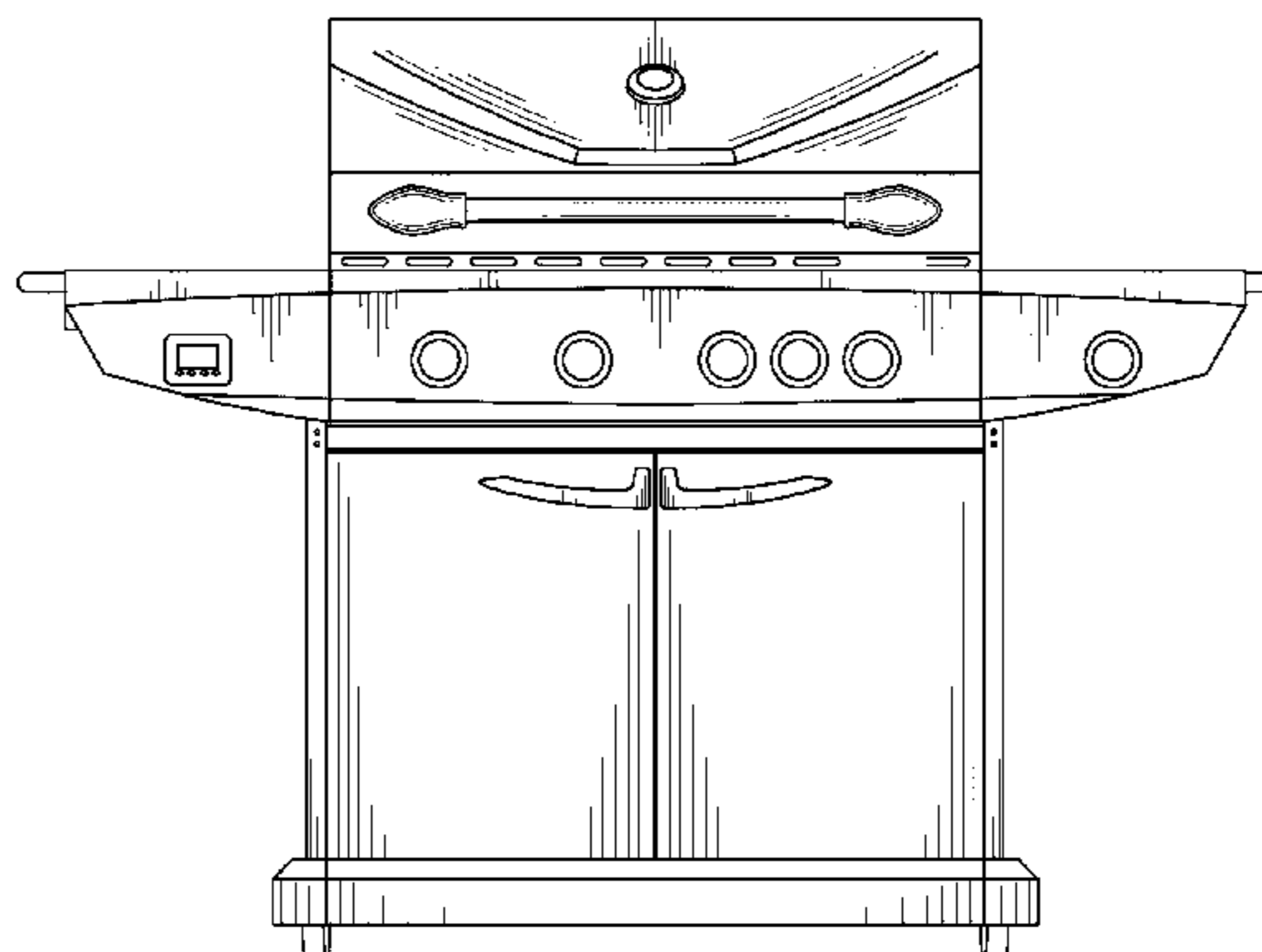
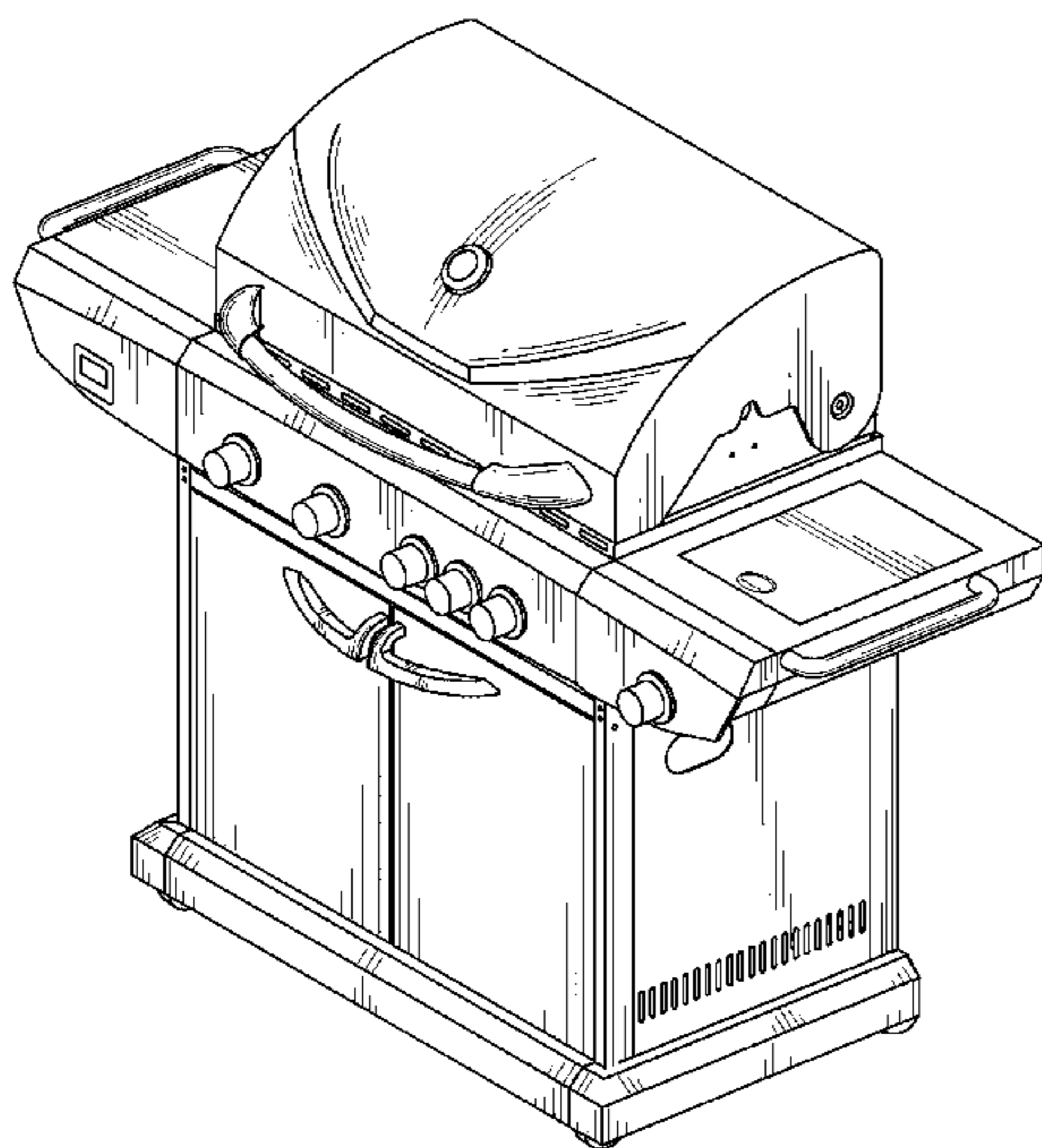
FIG. 4 is a left side elevational view thereof;

FIG. 5 is a right side elevational view thereof;

FIG. 6 is a top plan view thereof; and,

FIG. 7 is a bottom plan view thereof.

**1 Claim, 7 Drawing Sheets**



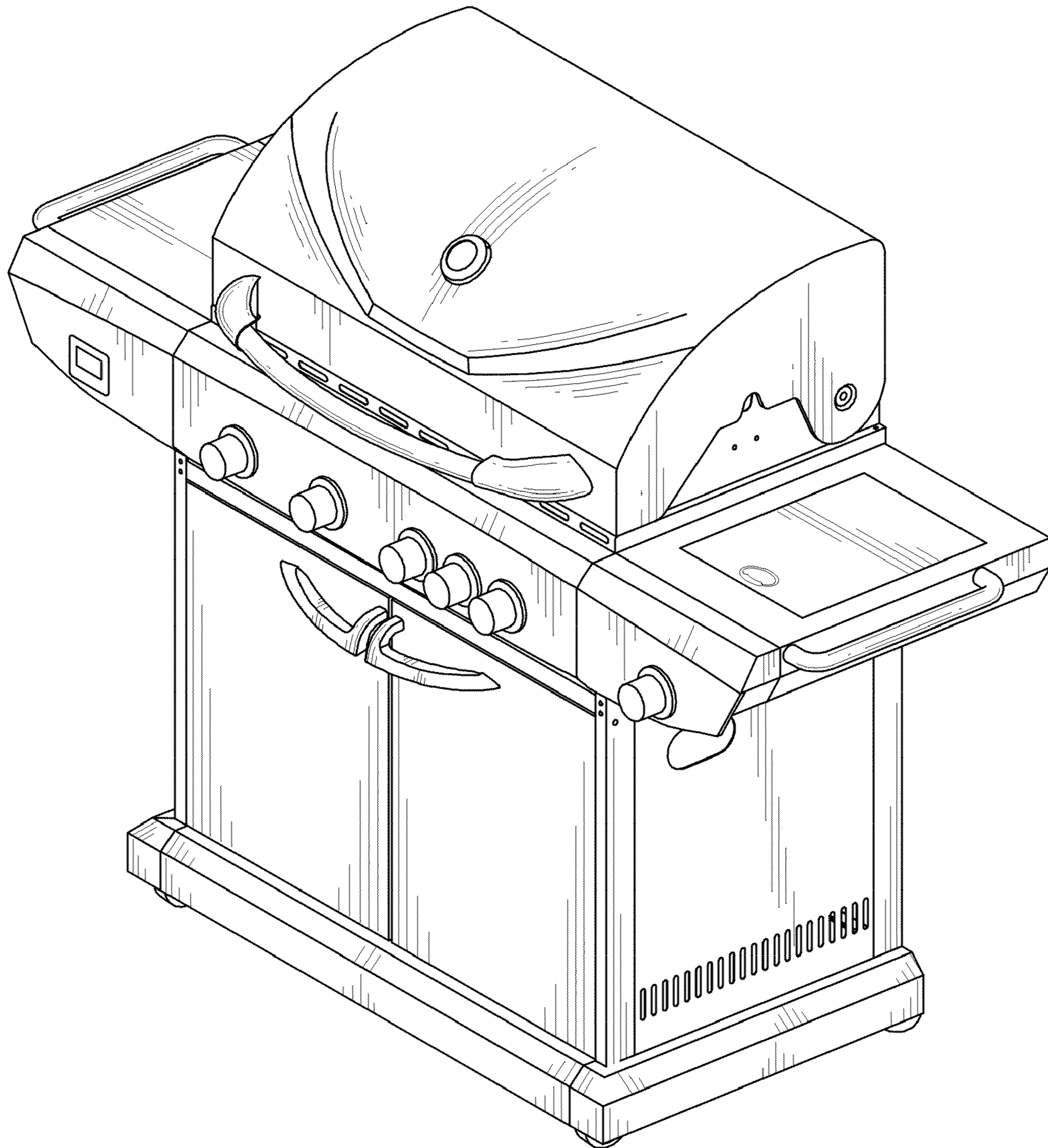


FIG. 1

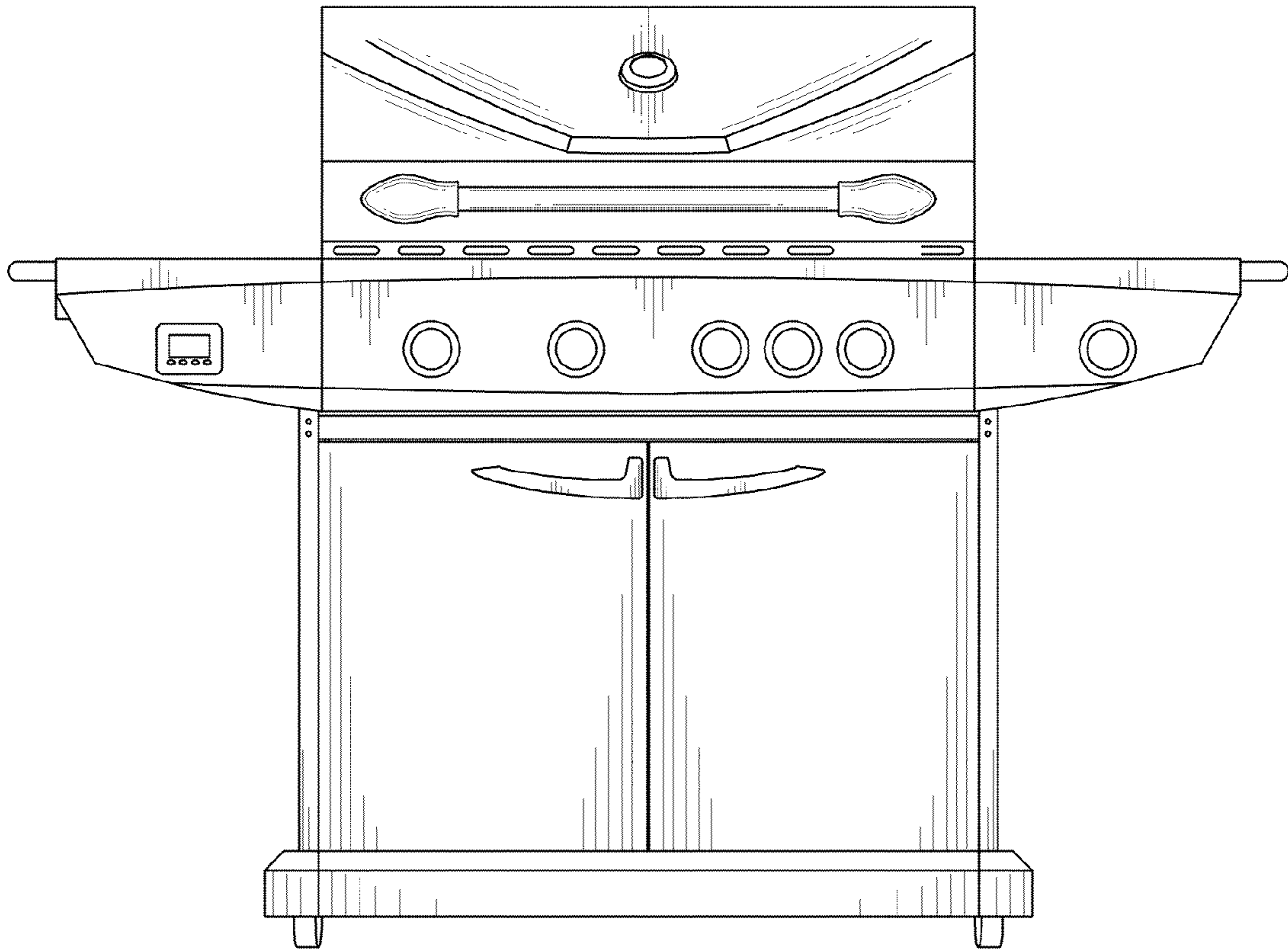


FIG. 2

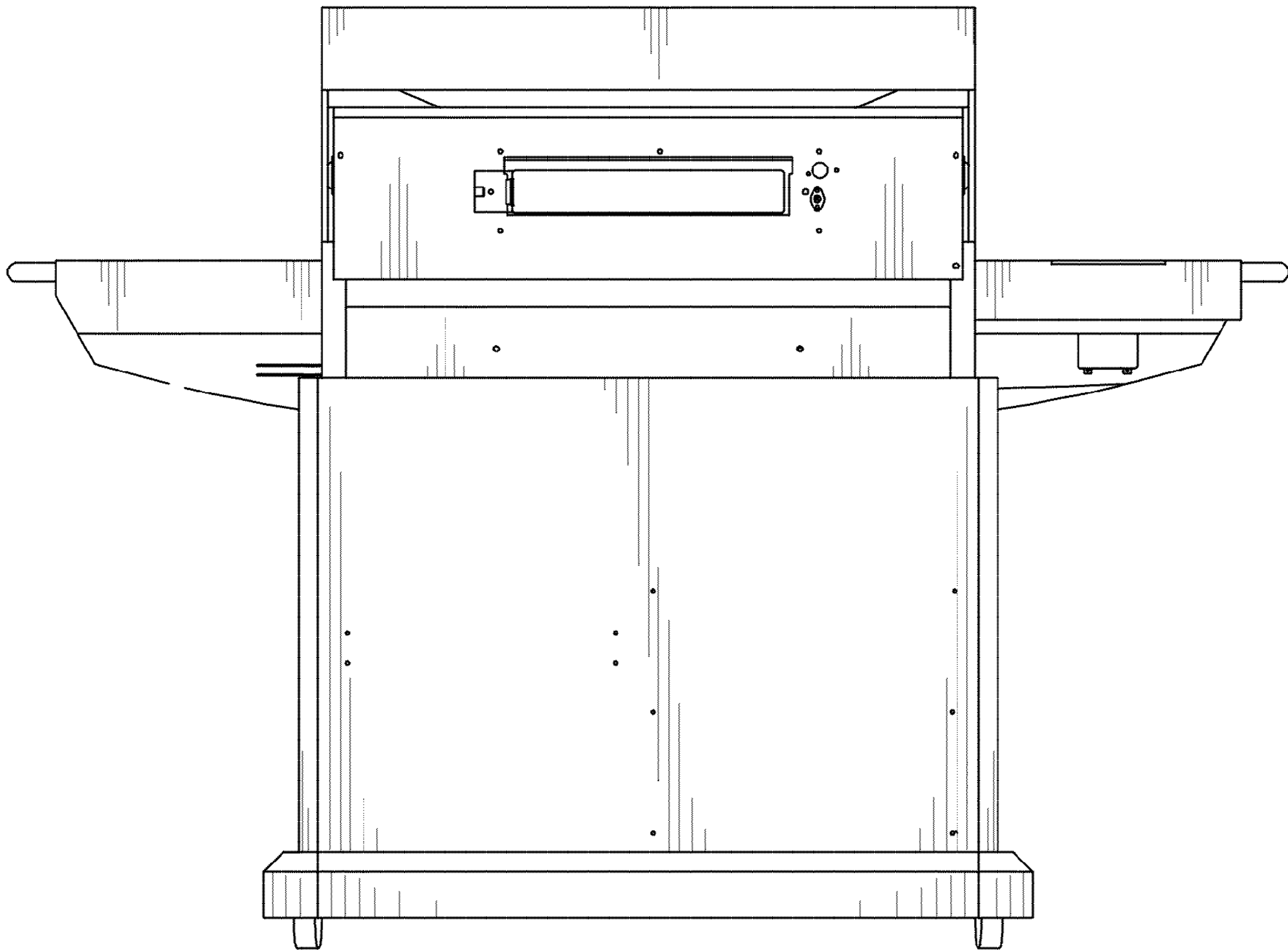


FIG. 3

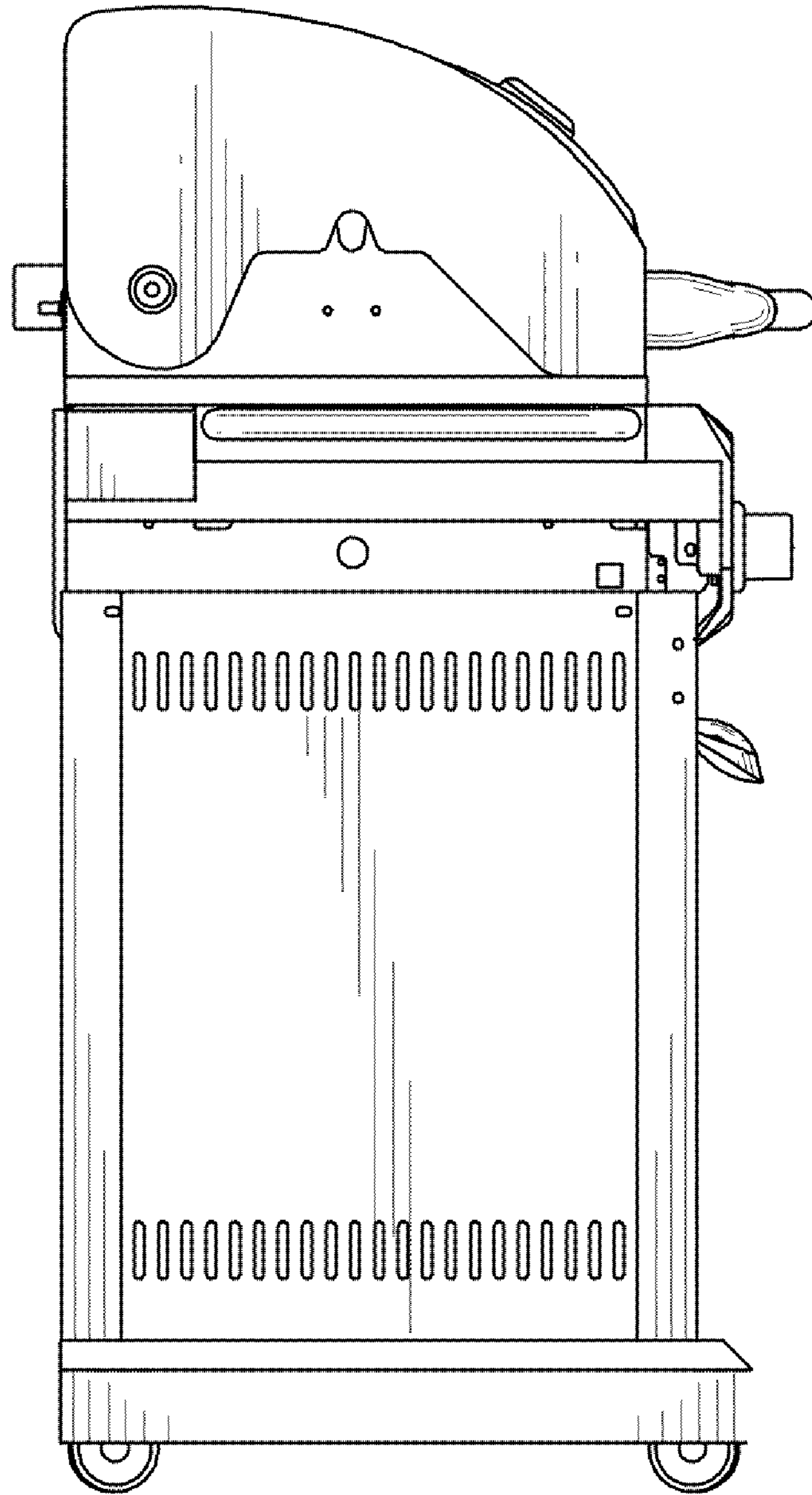


FIG. 4

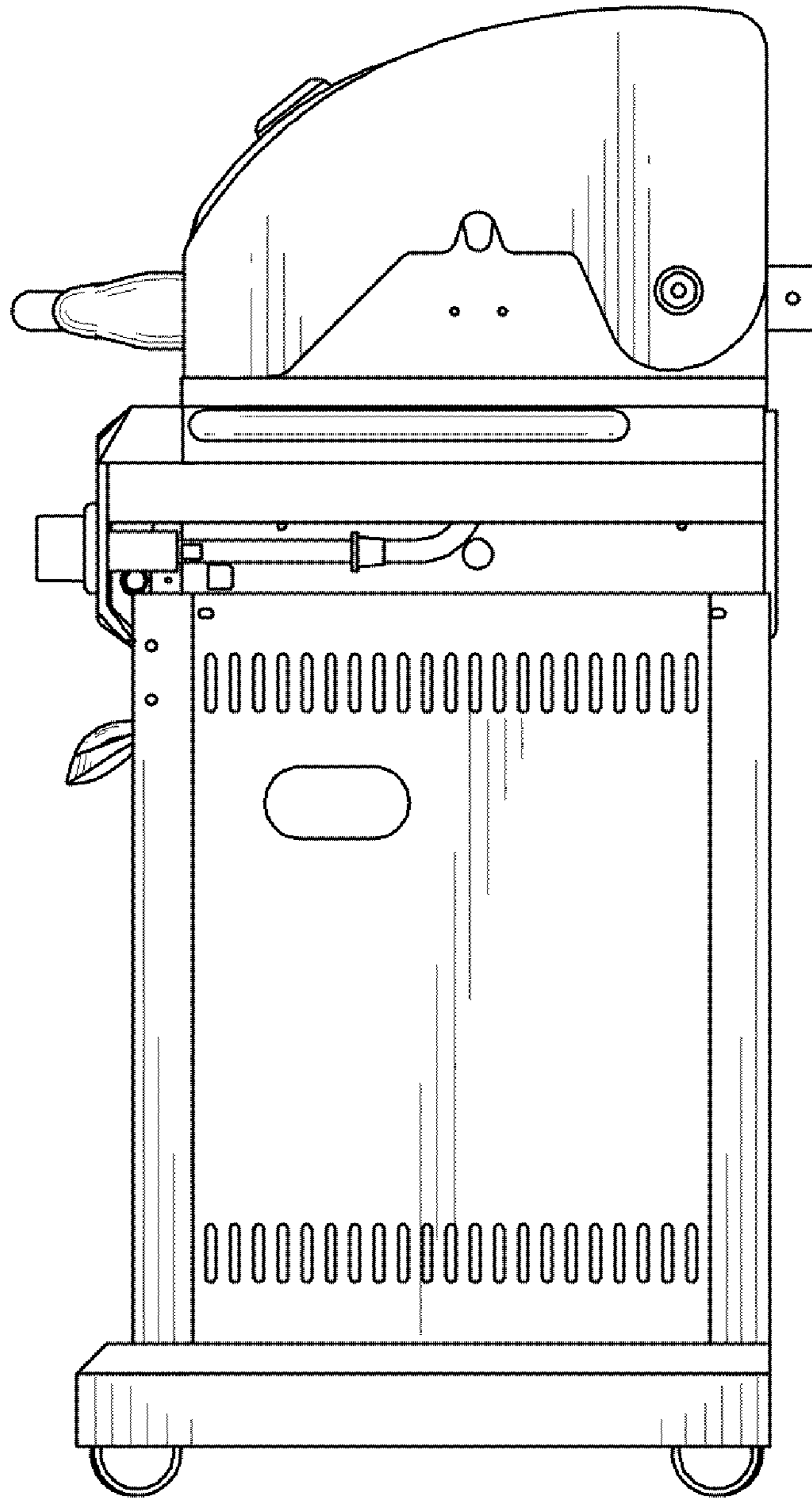


FIG. 5

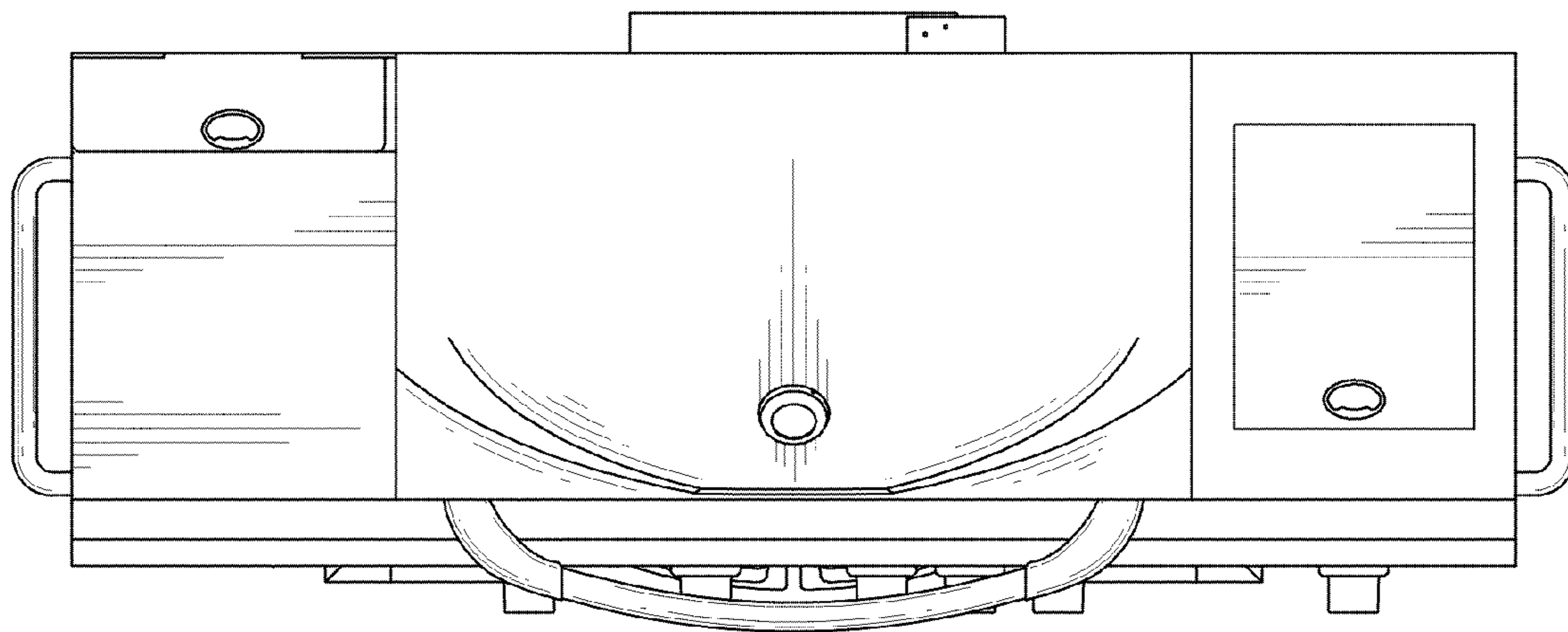


FIG. 6

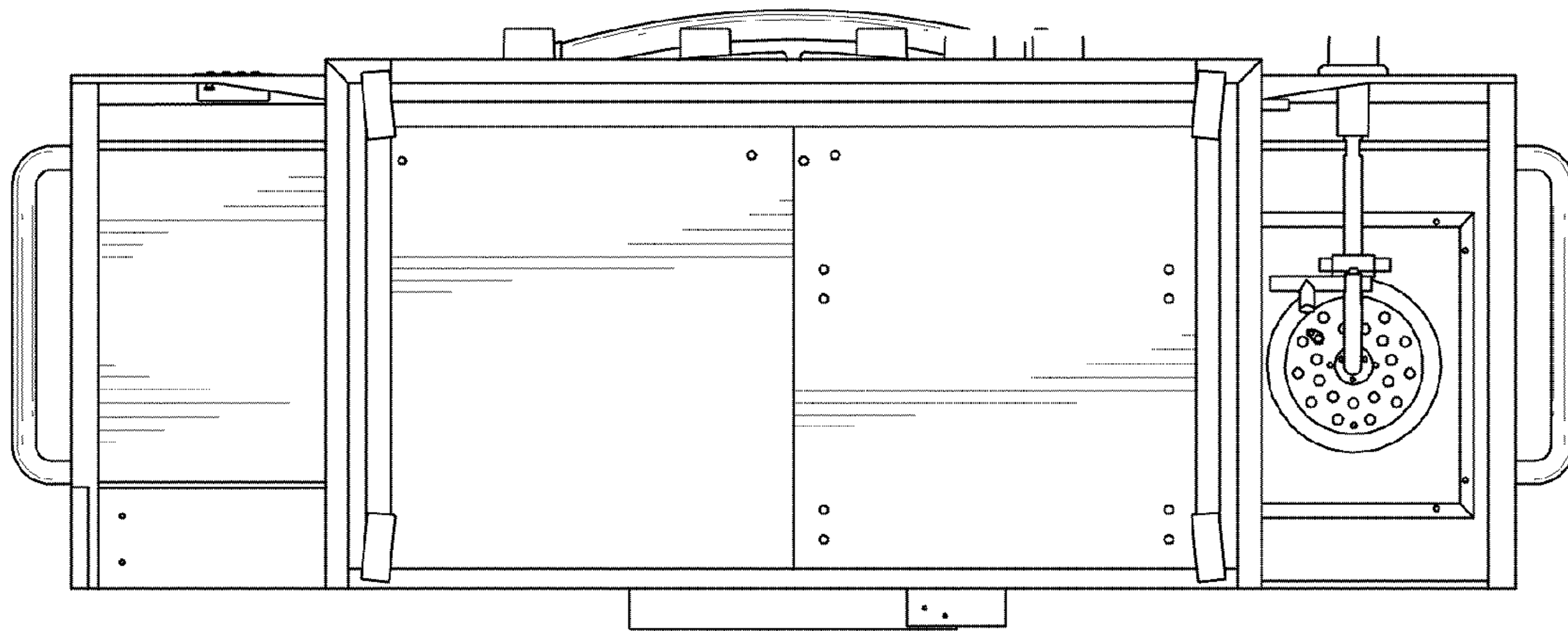


FIG. 7