



US00D571602S

(12) **United States Design Patent**
Chung

(10) **Patent No.:** **US D571,602 S**
(45) **Date of Patent:** **** Jun. 24, 2008**

(54) **BARBECUE GRILL**

(76) Inventor: **Kiosky Chung**, 8F-1, No. 497,
Jhongming S. Rd., West District,
Taichung City 403 (TW)

(**) Term: **14 Years**

(21) Appl. No.: **29/283,366**

(22) Filed: **Aug. 12, 2007**

(51) **LOC (8) Cl.** **07-02**

(52) **U.S. Cl.** **D7/334**

(58) **Field of Classification Search** D7/332,
D7/334, 335, 336, 402-405; 126/25 R, 25 A,
126/25 AA, 9 R, 37 R, 41 R, 40, 50, 304 R,
126/305, 268, 276; 312/249.8, 249.13
See application file for complete search history.

(56) **References Cited**

U.S. PATENT DOCUMENTS

- D475,235 S * 6/2003 Home D7/334
- D533,010 S * 12/2006 Pai D7/334
- D544,289 S * 6/2007 Tseng D7/332
- D547,108 S * 7/2007 Tseng D7/332

- D560,416 S * 1/2008 Sedberry et al. D7/334
- D560,419 S * 1/2008 Lockhart et al. D7/334
- 2007/0056577 A1 * 3/2007 Chang 126/25 R
- 2007/0204858 A1 * 9/2007 Abelbeck 126/41 R

* cited by examiner

Primary Examiner—Ruth McInroy

(74) *Attorney, Agent, or Firm*—Banger Shia

(57) **CLAIM**

I claim the ornamental design for a barbecue grill, as shown and described.

DESCRIPTION

FIG. 1 is a perspective view of a barbecue grill, showing my new design;

FIG. 2 is a front elevational view thereof;

FIG. 3 is a rear elevational view thereof;

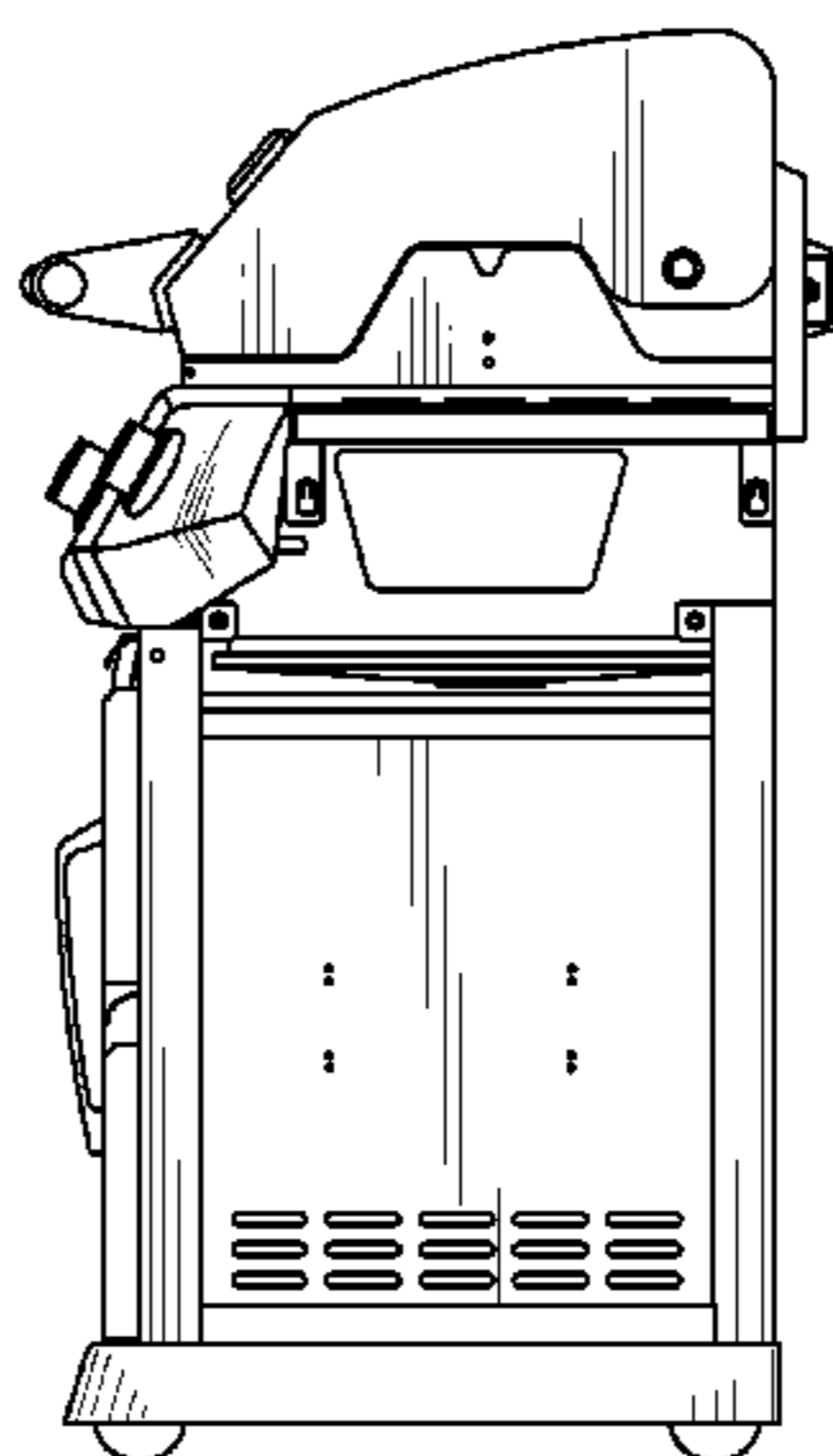
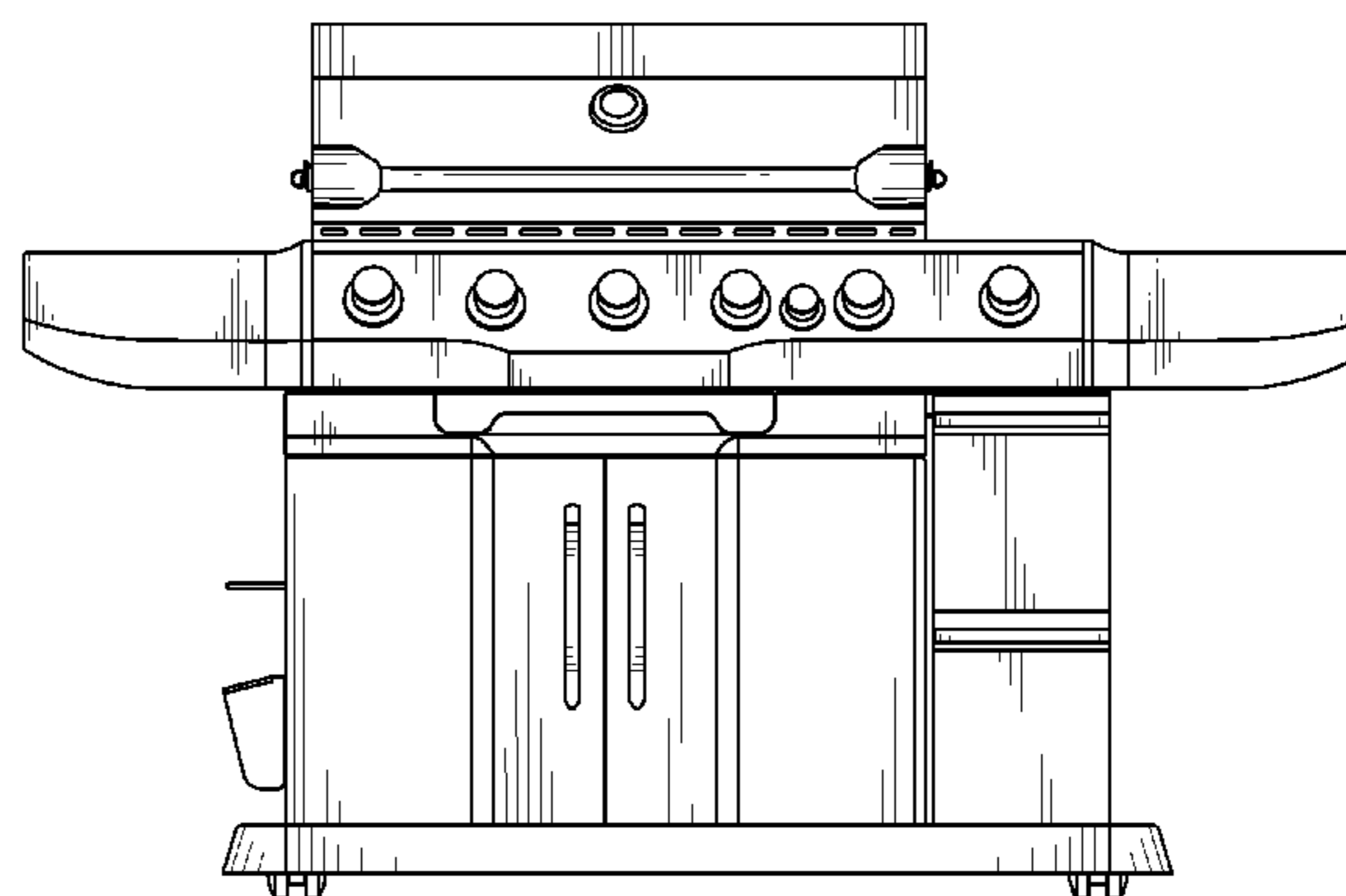
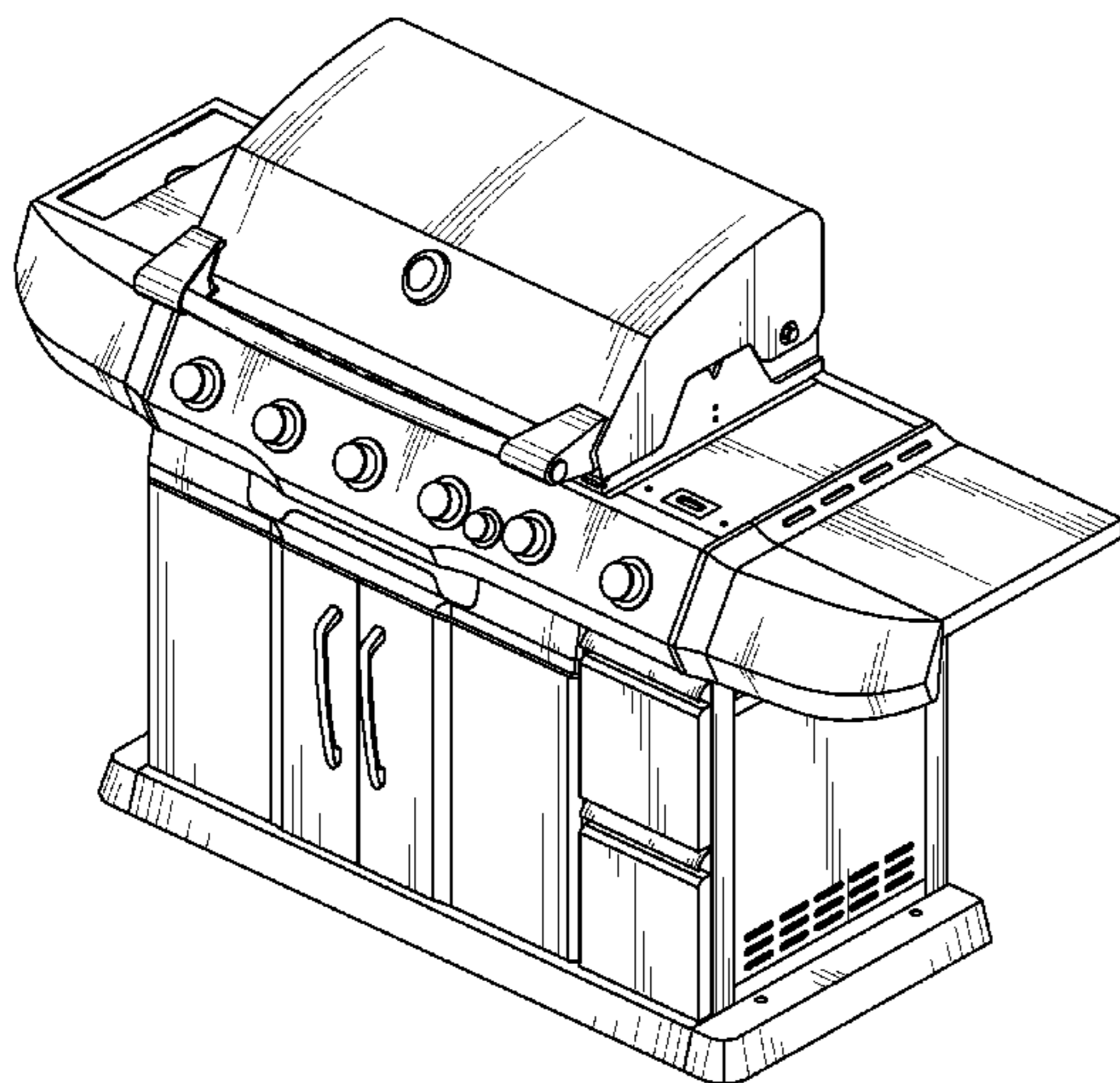
FIG. 4 is a left side elevational view thereof;

FIG. 5 is a right side elevational view thereof;

FIG. 6 is a top plan view thereof; and,

FIG. 7 is a bottom plan view thereof.

1 Claim, 7 Drawing Sheets



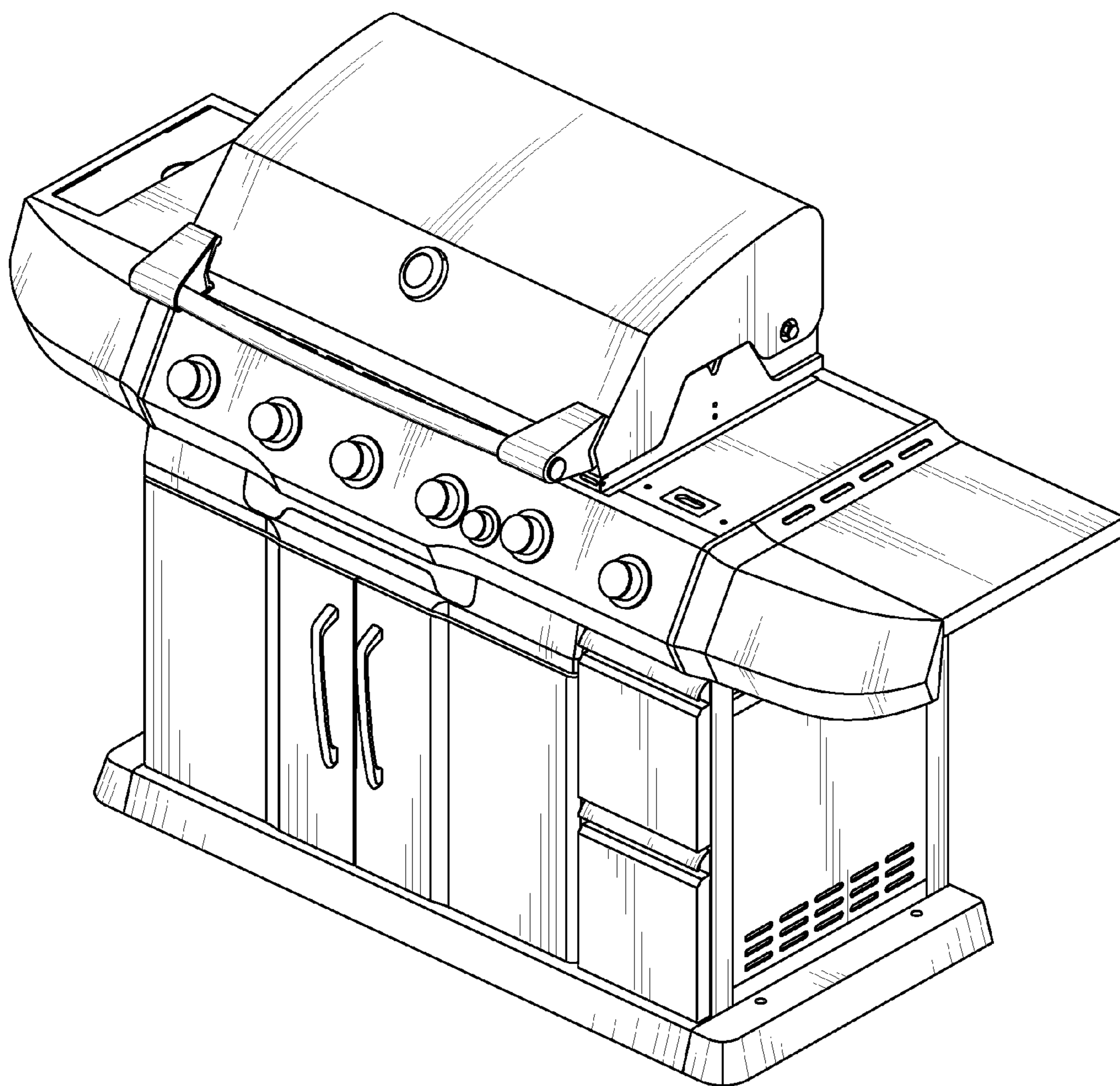


FIG. 1

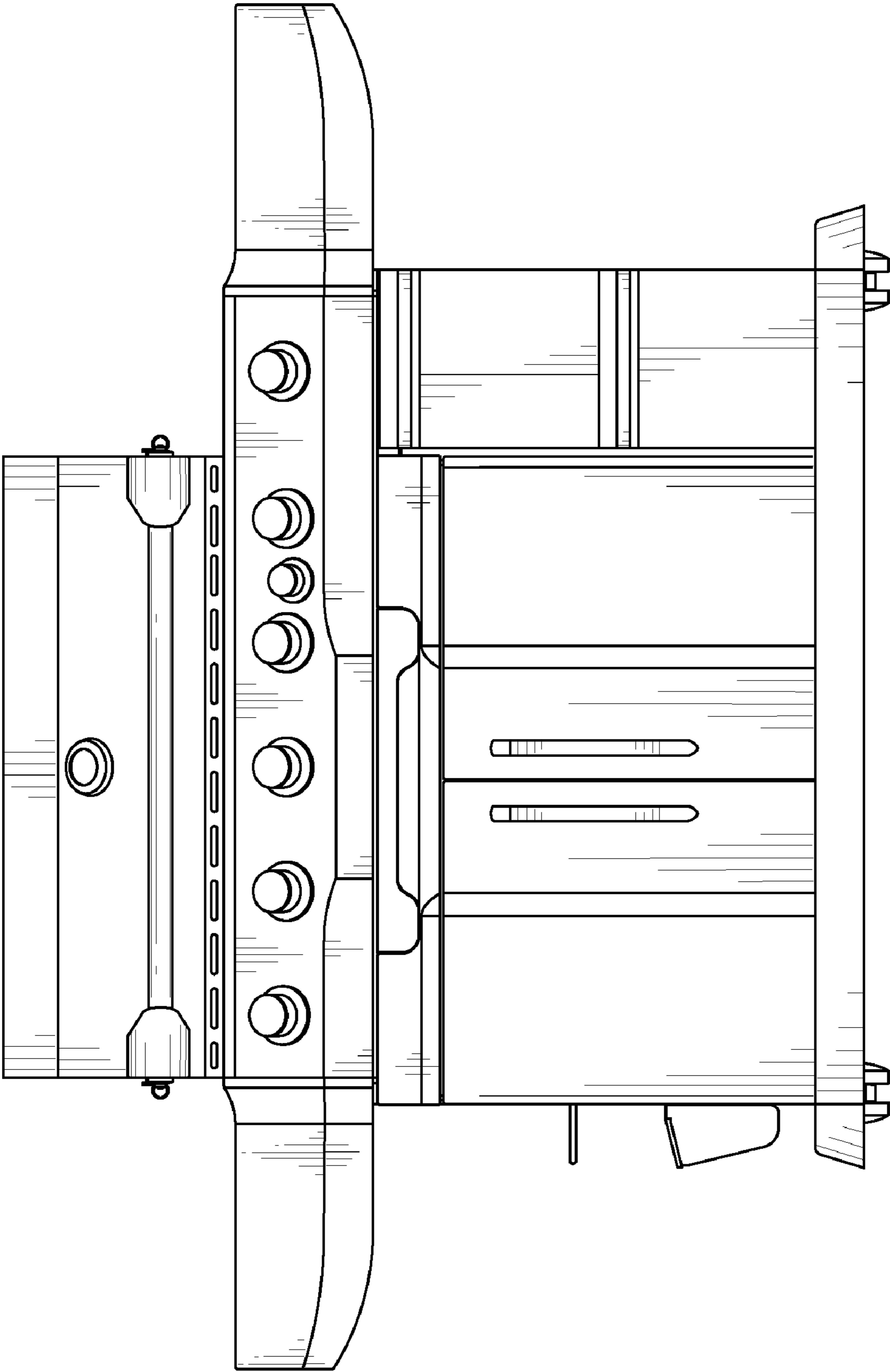


FIG. 2

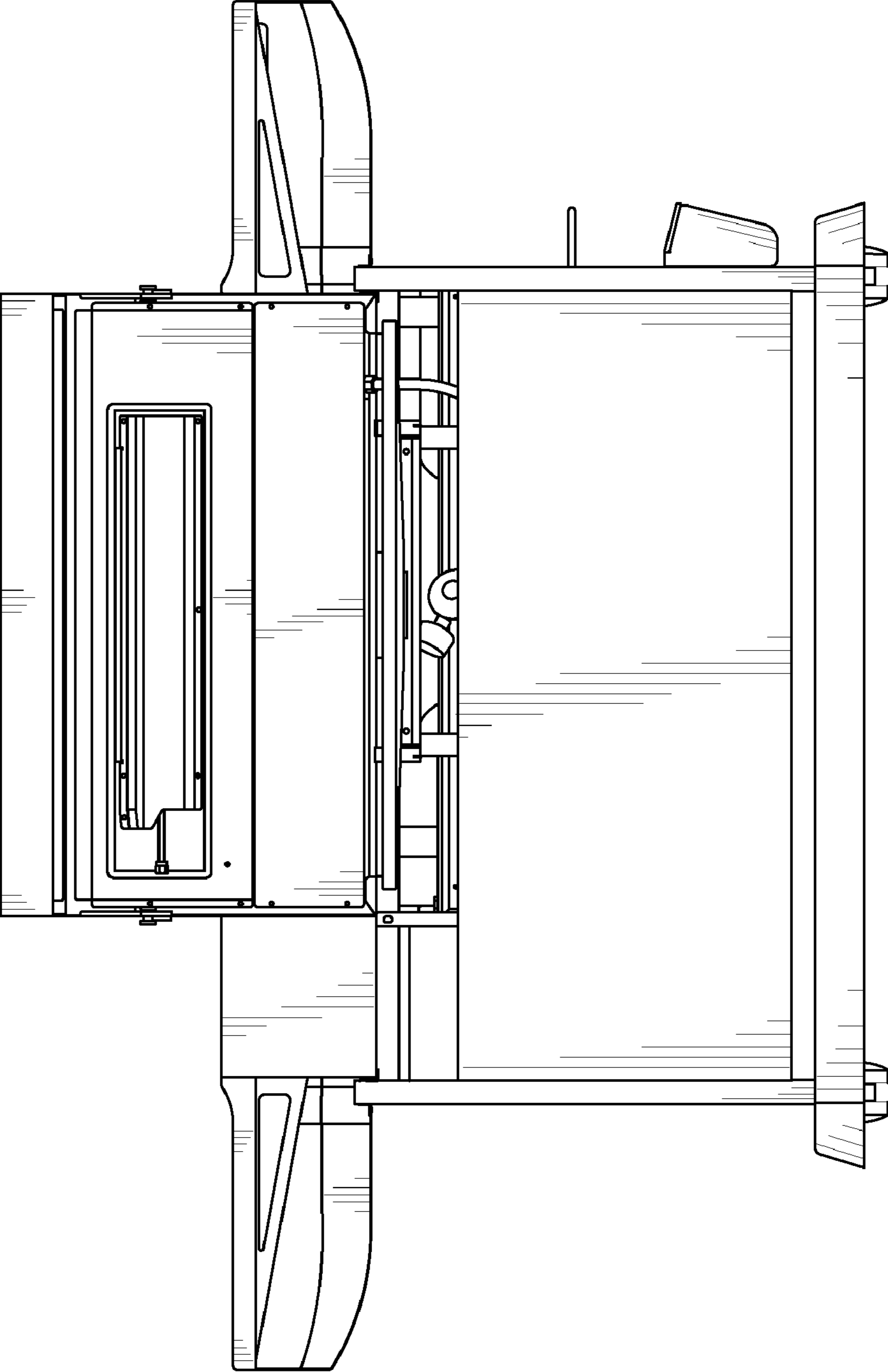


FIG. 3

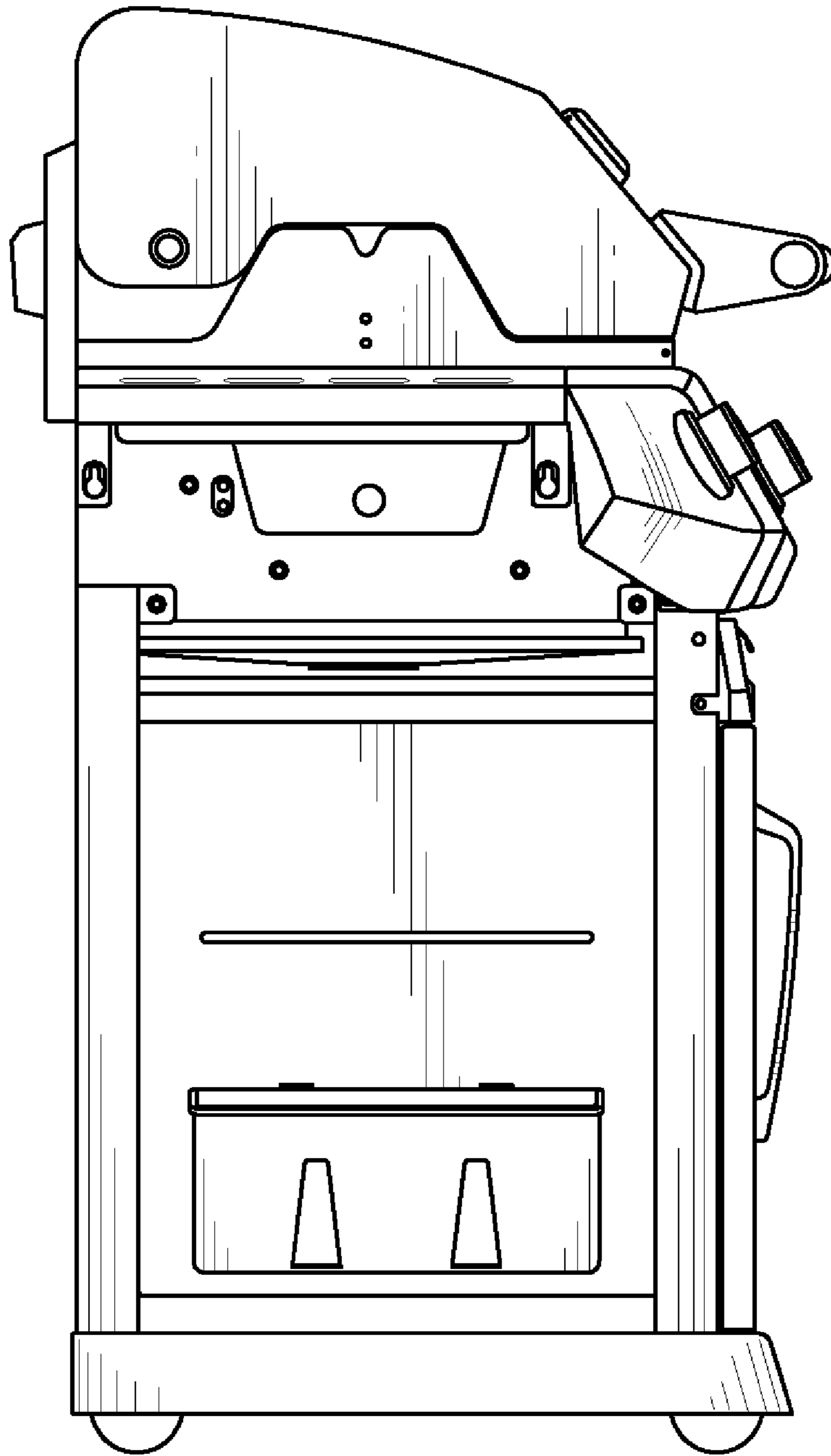


FIG. 4

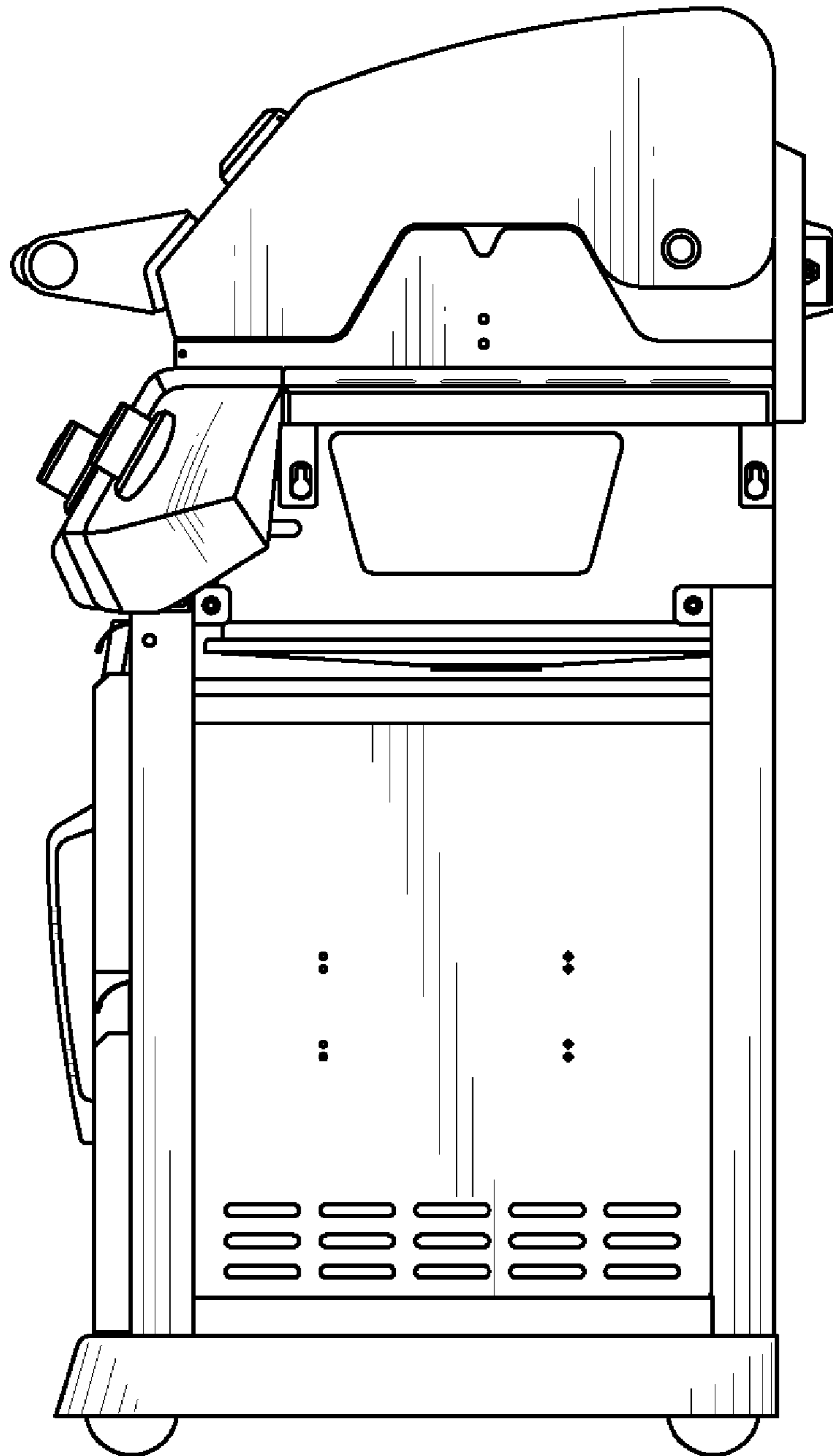


FIG. 5

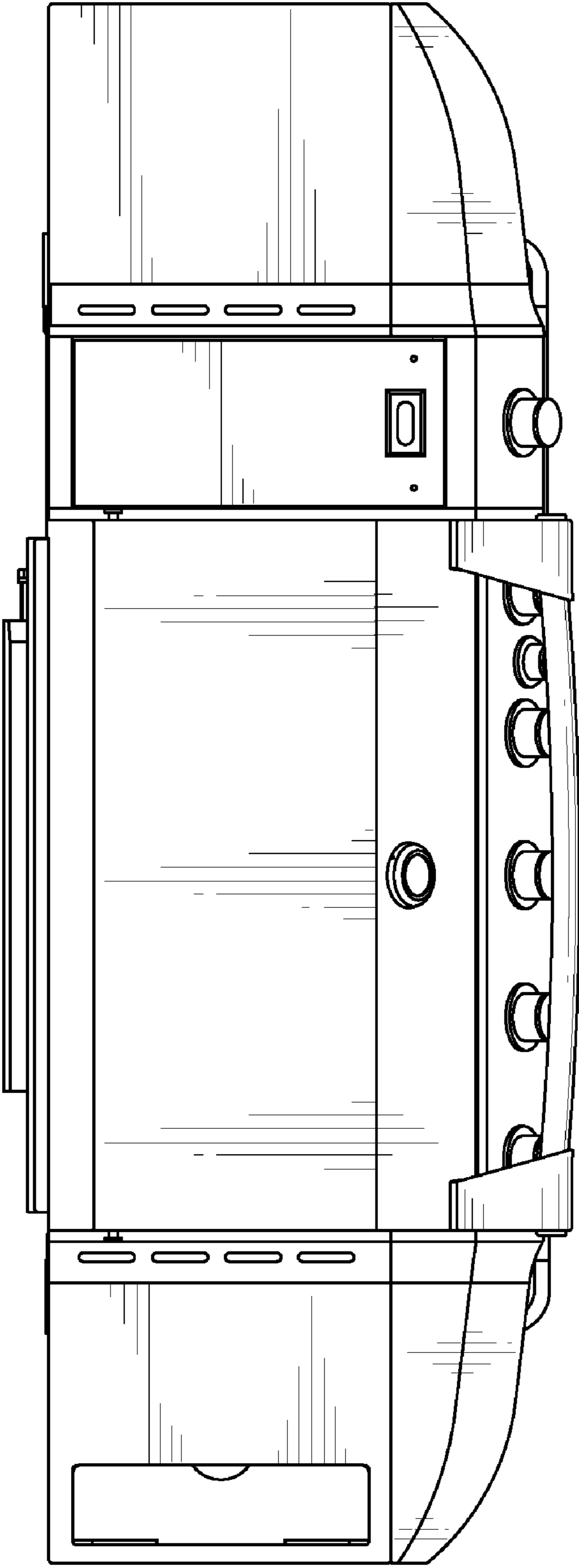


FIG. 6

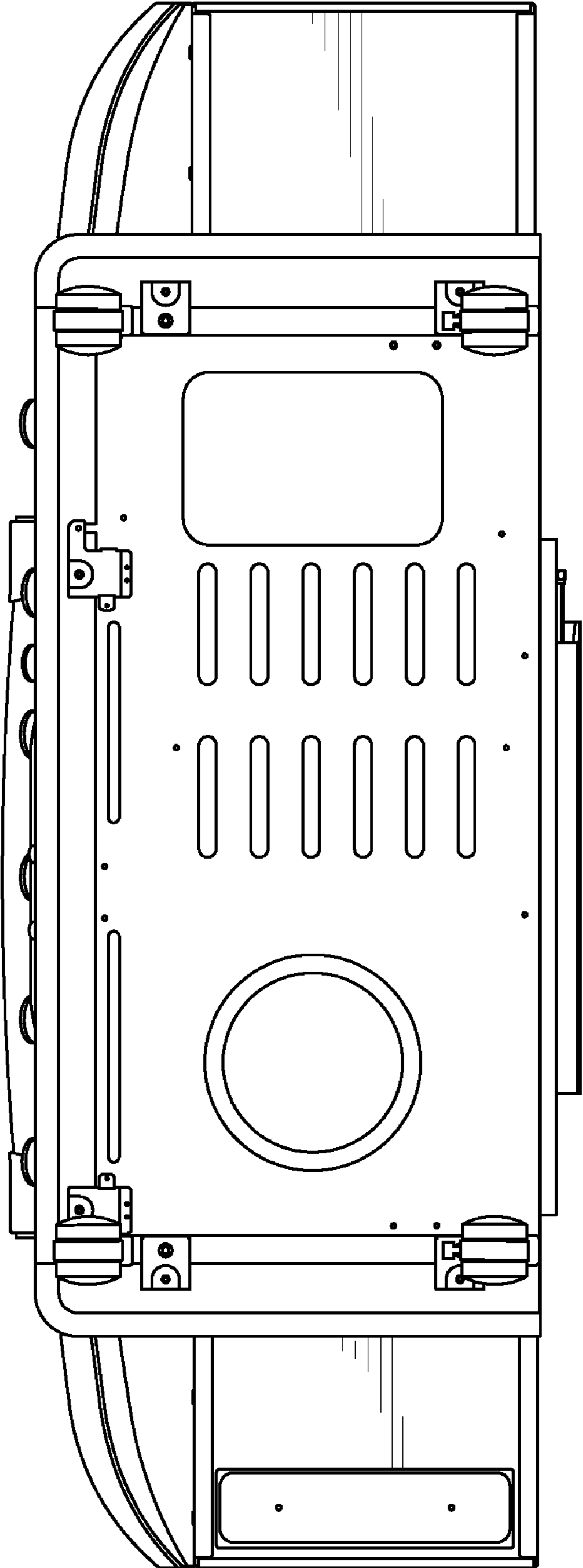


FIG. 7