



US00D571598S

(12) **United States Design Patent**
Moore

(10) **Patent No.:** **US D571,598 S**
(45) **Date of Patent:** **** Jun. 24, 2008**

(54) **COFFEE MAKER**

(75) Inventor: **Devin Lee Moore**, Decatur, GA (US)

(73) Assignee: **Conair Corporation**, Stamford, CT (US)

(**) Term: **14 Years**

(21) Appl. No.: **29/289,192**

(22) Filed: **Jul. 11, 2007**

(51) **LOC (8) Cl.** **07-01**

(52) **U.S. Cl.** **D7/306; D7/309; D7/311**

(58) **Field of Classification Search** D7/320,
D7/306-308, 313, 606, 608, 312, 300, 309-311;
D20/1; 99/279, 306, 282, 284; 219/438;
222/131, 146.1, 146.6, 129.1; 220/23.6;
206/501

See application file for complete search history.

(56) **References Cited**

U.S. PATENT DOCUMENTS

- D514,865 S * 2/2006 Steiner D7/309
- D530,969 S * 10/2006 Lin D7/309
- D533,897 S * 12/2006 Workman et al. D7/309
- D536,917 S * 2/2007 McWilliam D7/309
- D543,771 S * 6/2007 Julemont D7/309

- D545,110 S * 6/2007 Julemont D7/309
- D553,416 S * 10/2007 Lin D7/309
- D555,415 S * 11/2007 Lin D7/309
- D558,505 S * 1/2008 Padain et al. D7/306

* cited by examiner

Primary Examiner—Marianne Pandozzi
(74) *Attorney, Agent, or Firm*—Lawrence Cruz

(57) **CLAIM**

The ornamental design for a coffee maker, as shown.

DESCRIPTION

FIG. 1 is a perspective view of a coffee maker showing a new design;

FIG. 2 is a front view thereof;

FIG. 3 is a right side view thereof;

FIG. 4 is a rear view thereof;

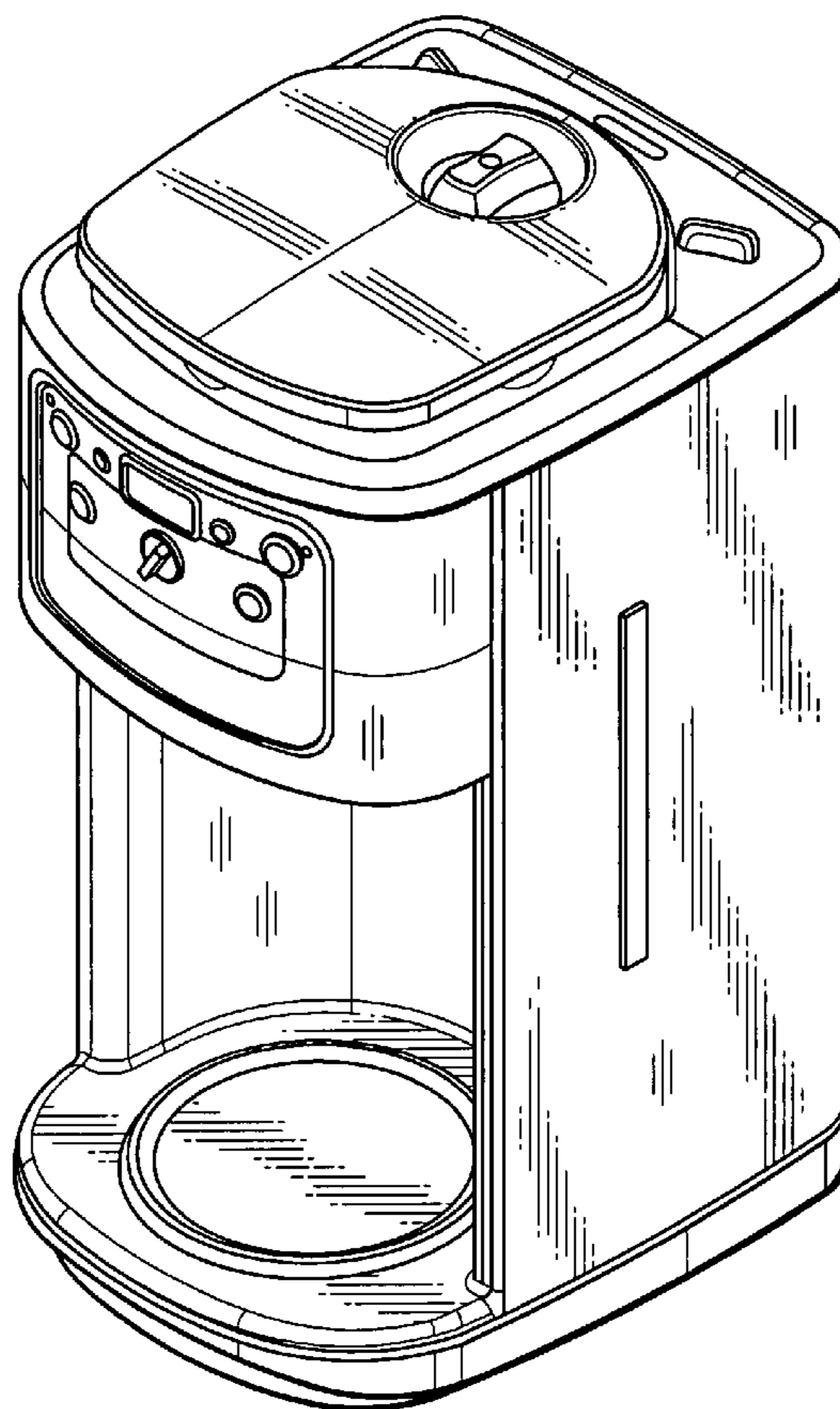
FIG. 5 is a left side view thereof;

FIG. 6 is a top view thereof; and,

FIG. 7 is a bottom view thereof.

The broken lines in the drawings are included for the purpose of illustration and form no part of the claimed design.

1 Claim, 7 Drawing Sheets



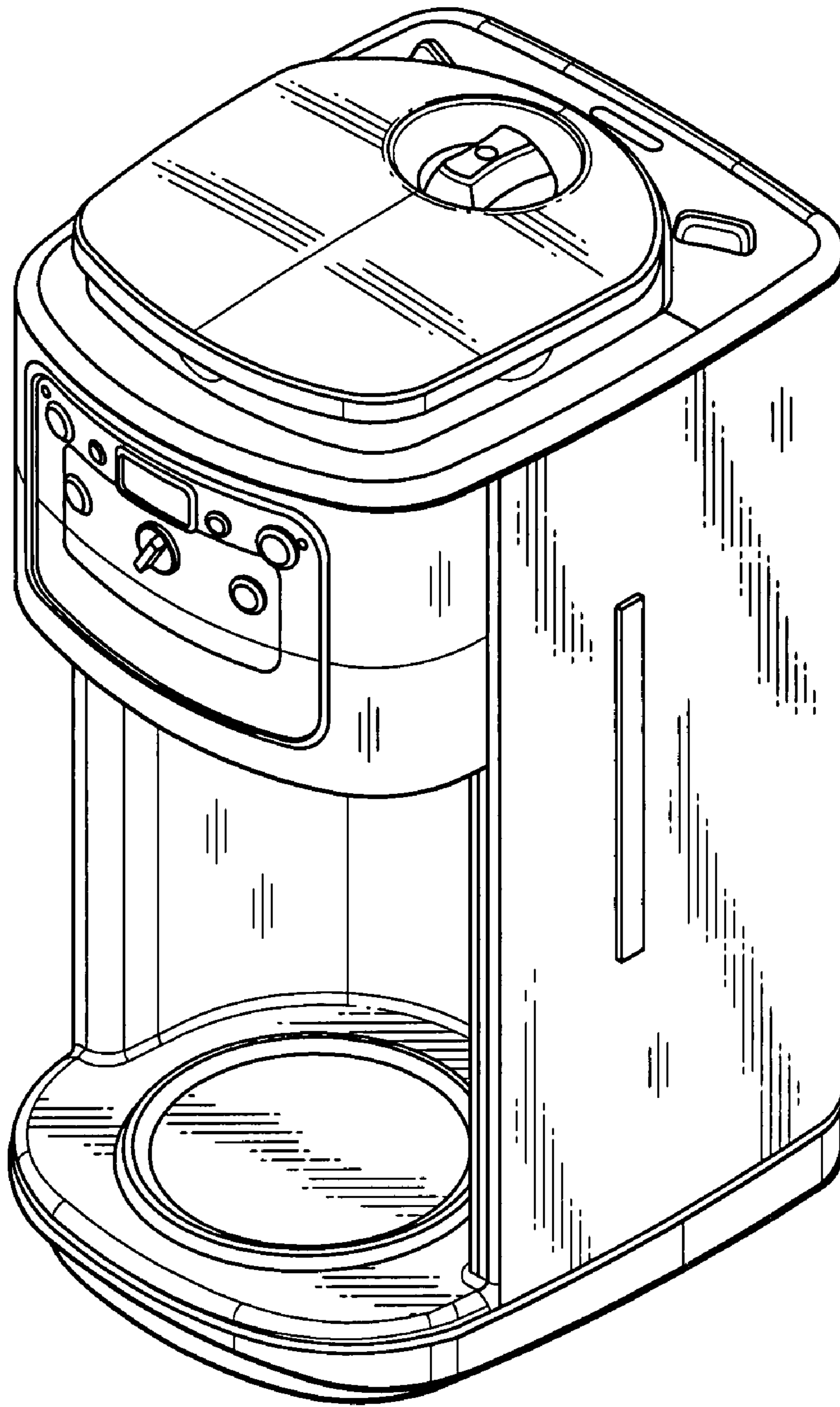


FIG. 1

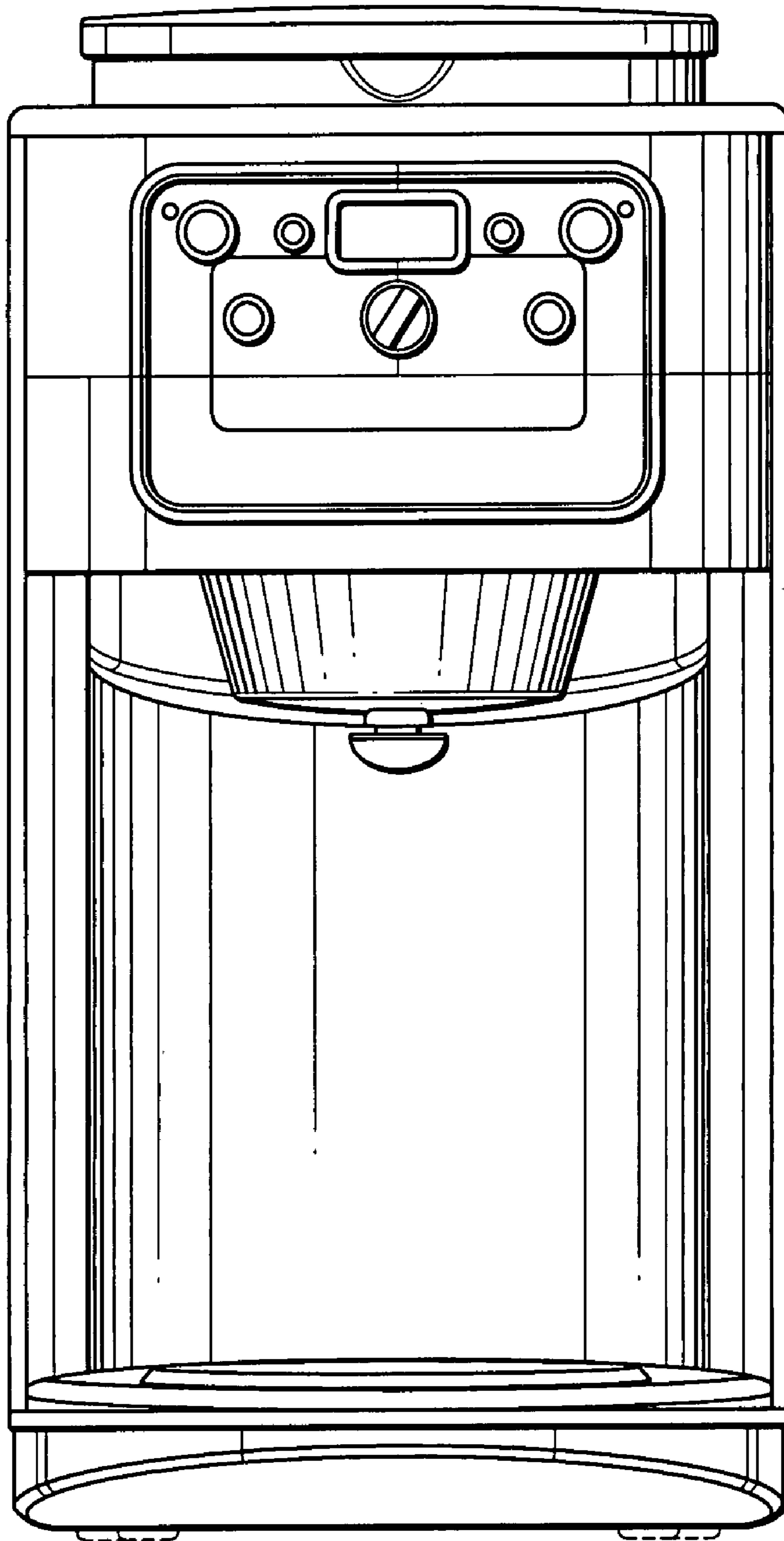


FIG. 2

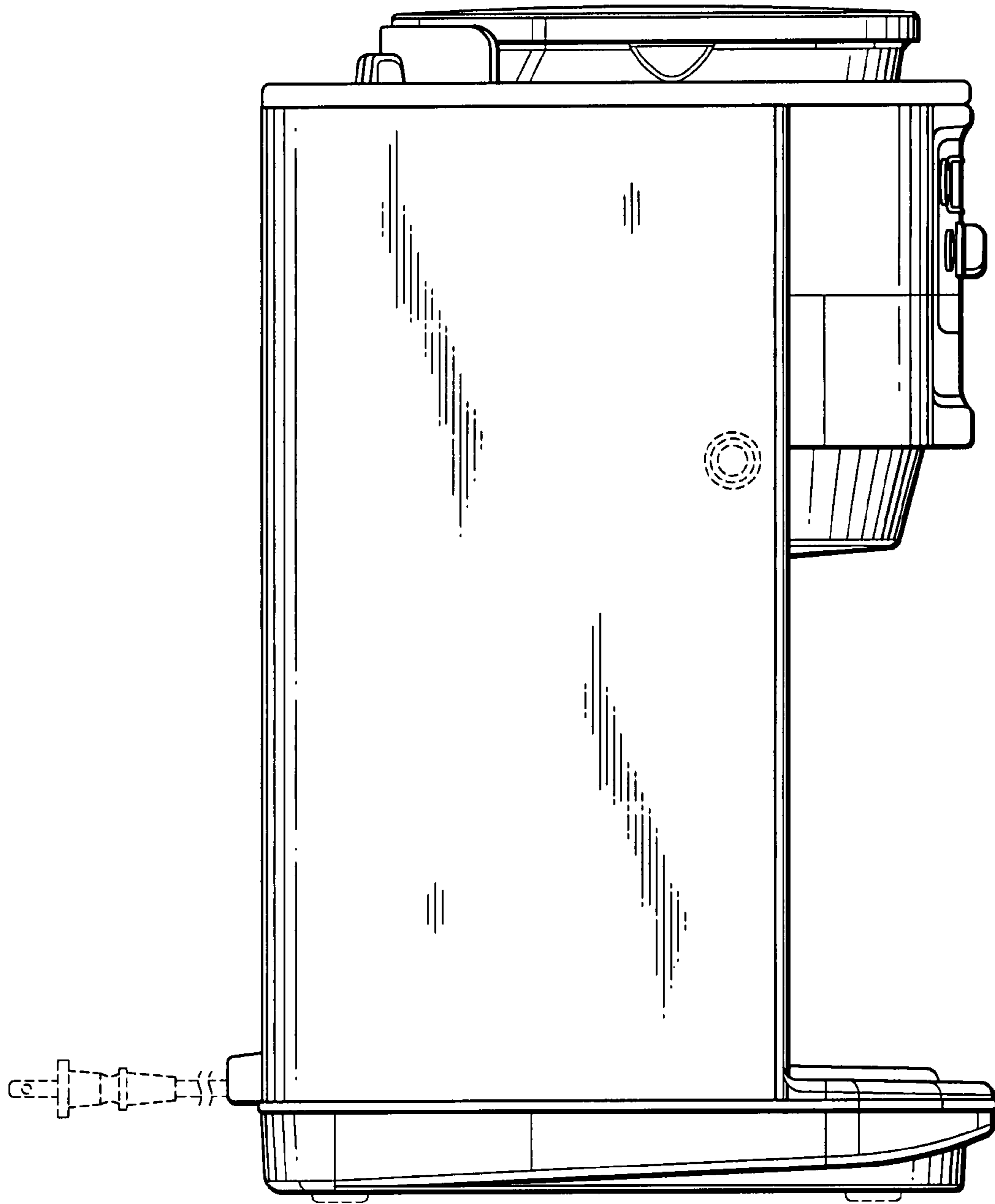


FIG. 3

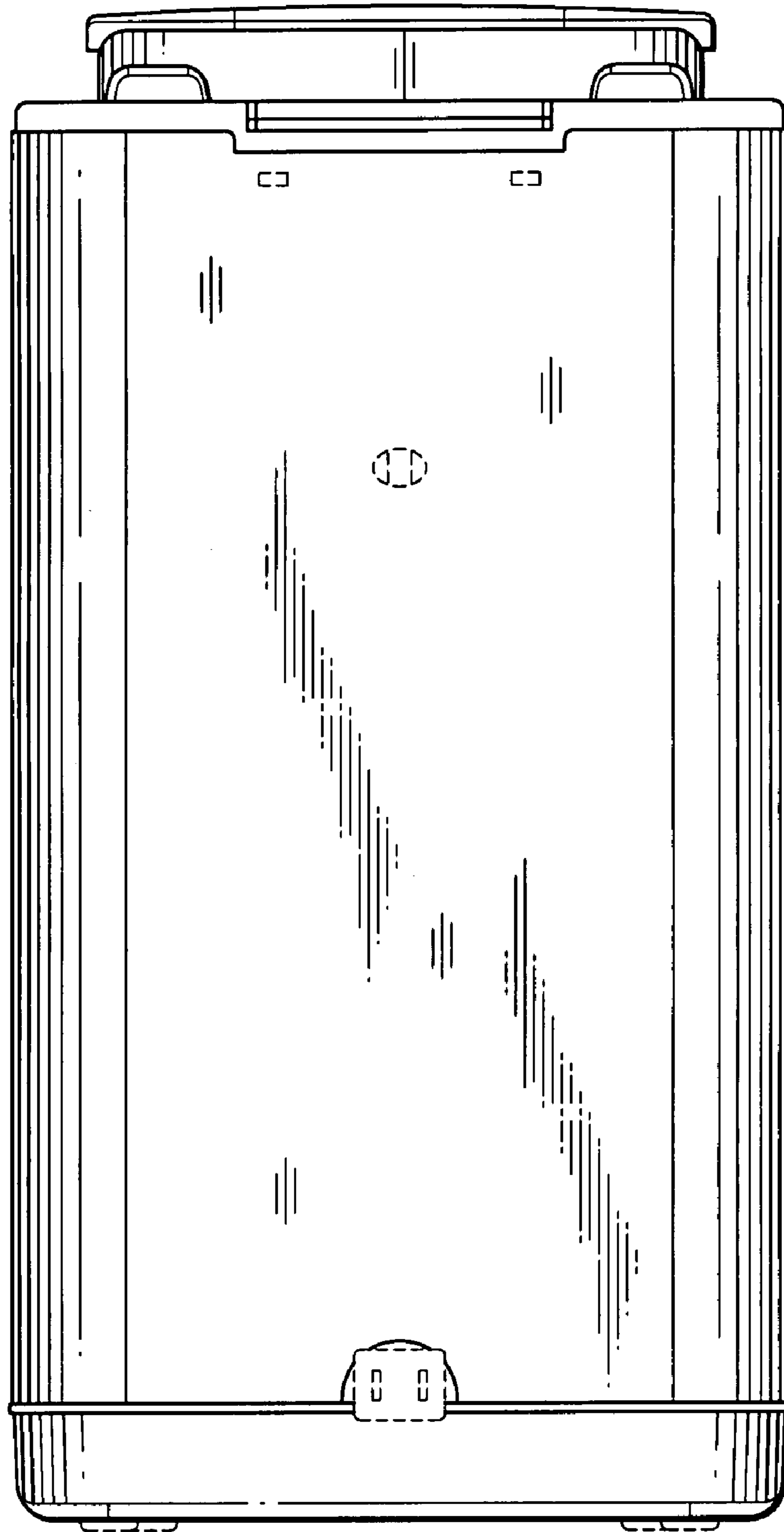


FIG. 4

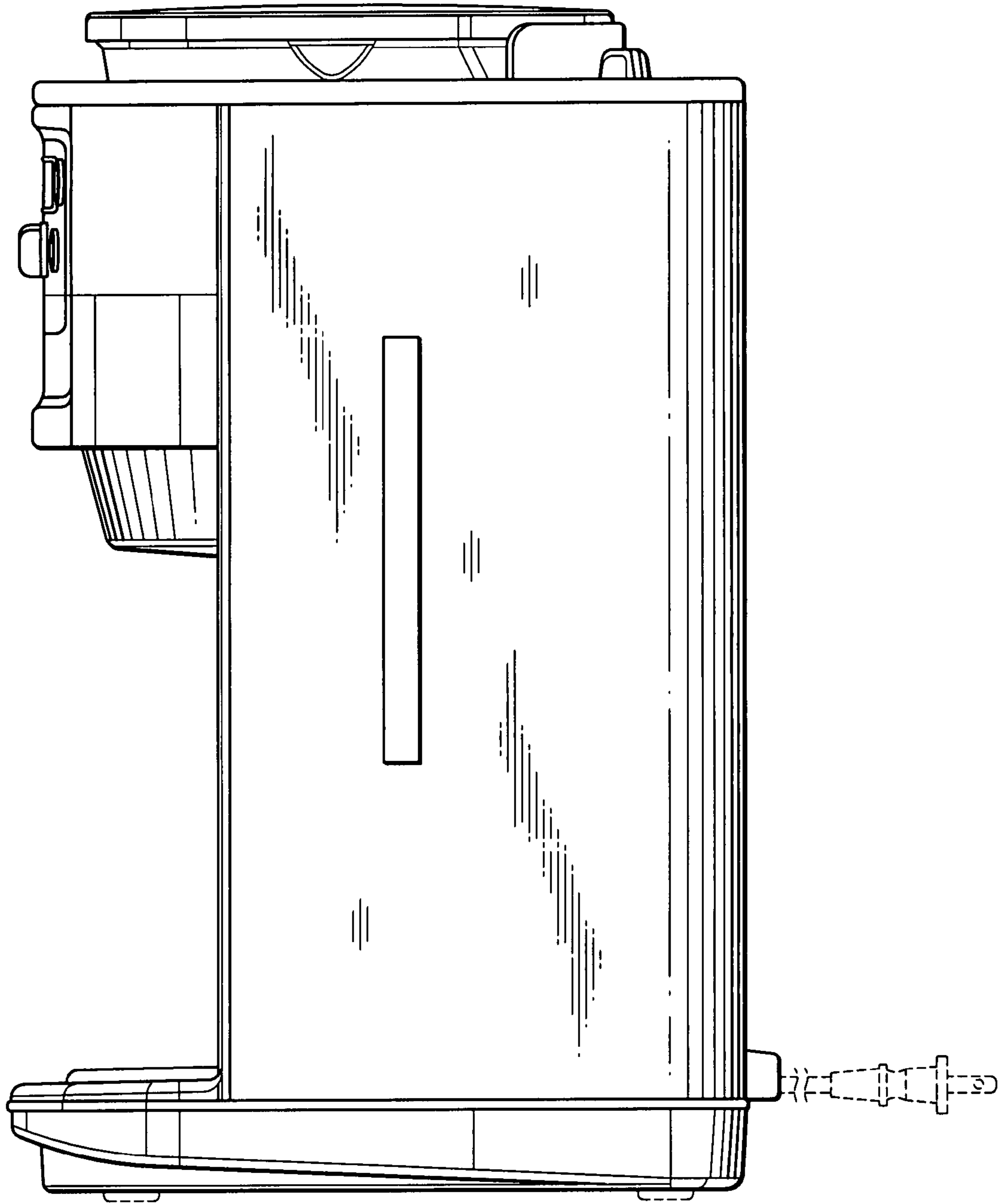


FIG. 5

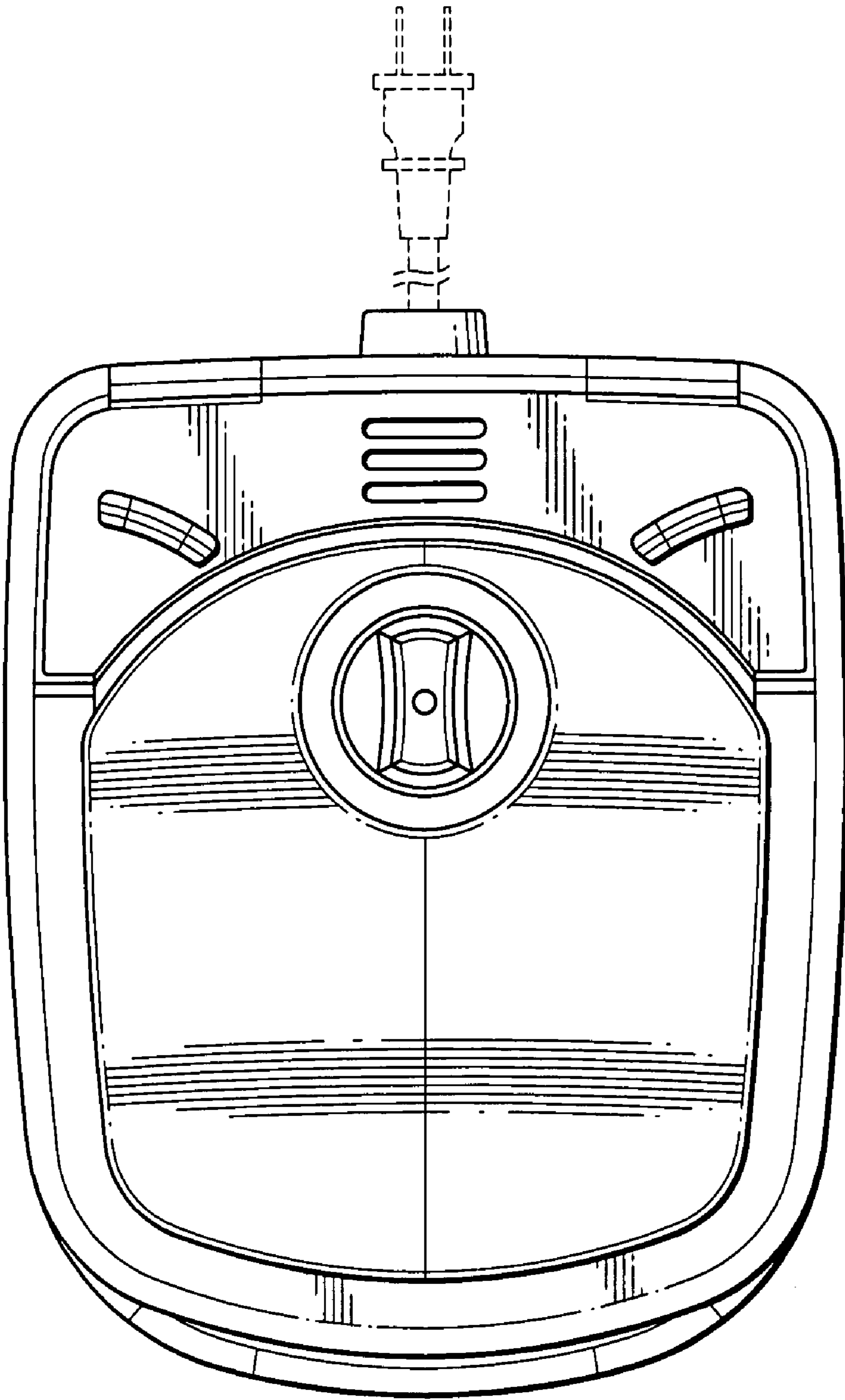


FIG. 6

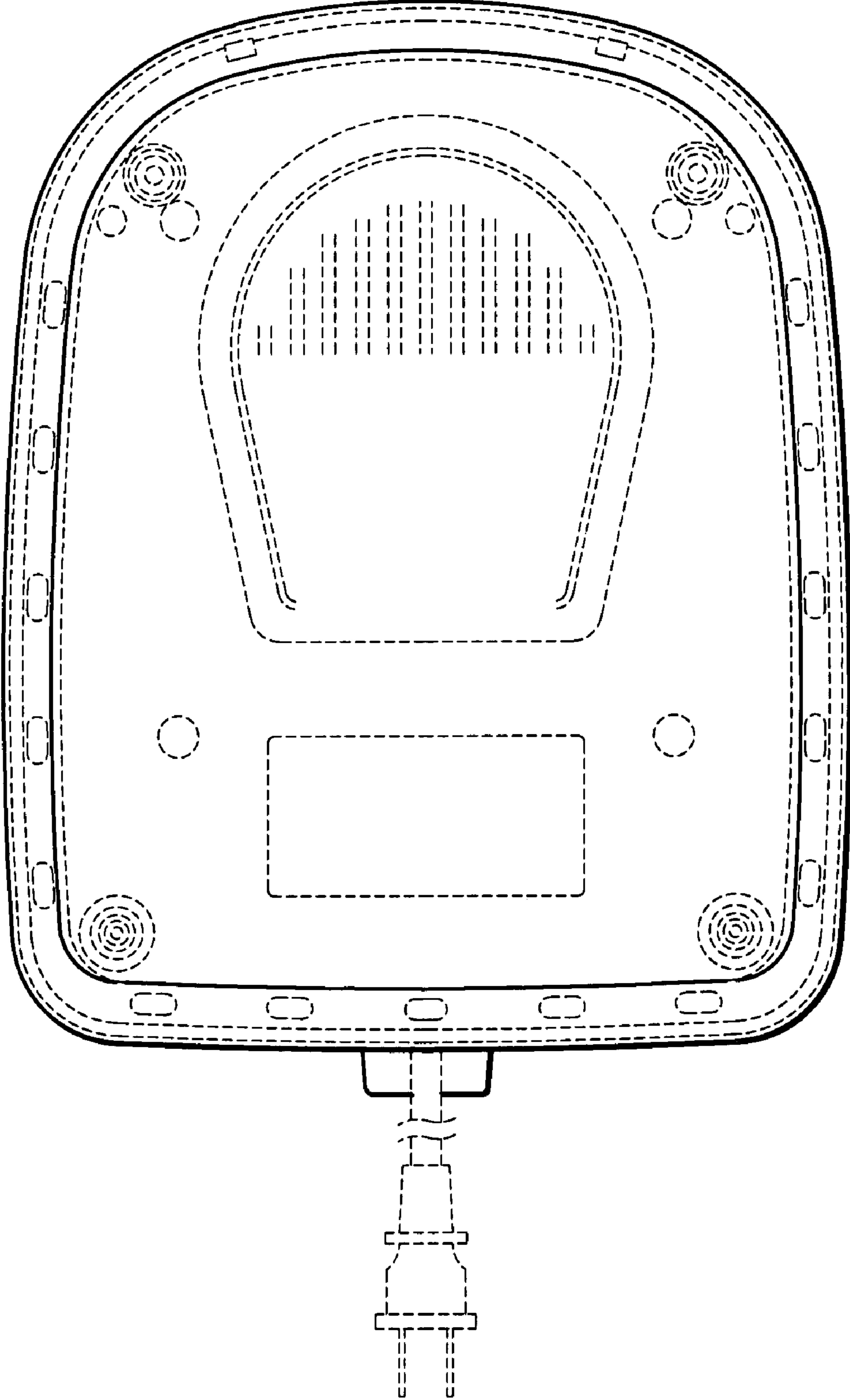


FIG. 7