

US00D571592S

(12) **United States Design Patent**  
**Bickler et al.**

(10) **Patent No.:** **US D571,592 S**  
(45) **Date of Patent:** **\*\* Jun. 24, 2008**

(54) **DOUBLE PIVOTING TOWEL BAR**  
(75) Inventors: **Marc Bickler**, Charlotte, NC (US);  
**Victor Hoernig**, Lowell, IN (US);  
**Geraint Krumpe**, Chicago, IL (US)

4,721,212 A \* 1/1988 Lowe ..... 211/119.004  
D302,507 S \* 8/1989 Herrick ..... D6/548  
D338,125 S \* 8/1993 Sample ..... D6/548  
D462,219 S \* 9/2002 Lowe ..... D6/548

\* cited by examiner

(73) Assignee: **Brasstech, Inc.**, Santa Ana, CA (US)

*Primary Examiner*—Brian N Vinson

(\*\*) Term: **14 Years**

(74) *Attorney, Agent, or Firm*—Edgar A. Zarins; Lloyd D. Doigan

(21) Appl. No.: **29/279,511**

(57) **CLAIM**

(22) Filed: **May 2, 2007**

The ornamental design for a double pivoting towel bar, as shown and described.

(51) **LOC (8) Cl.** ..... **06-04**

(52) **U.S. Cl.** ..... **D6/548**

(58) **Field of Classification Search** ..... D6/546–550;  
248/205.1, 213.1; 211/16, 85.29, 86.01,  
211/87.01, 88.04, 106, 119.004, 181.1, 182  
See application file for complete search history.

**DESCRIPTION**

FIG. 1 is a front perspective view of a double pivoting towel bar showing our design;

FIG. 2 is a front elevational view thereof;

FIG. 3 is a bottom plan view thereof;

FIG. 4 is a top plan view thereof;

FIG. 5 is a right side elevational view thereof; and,

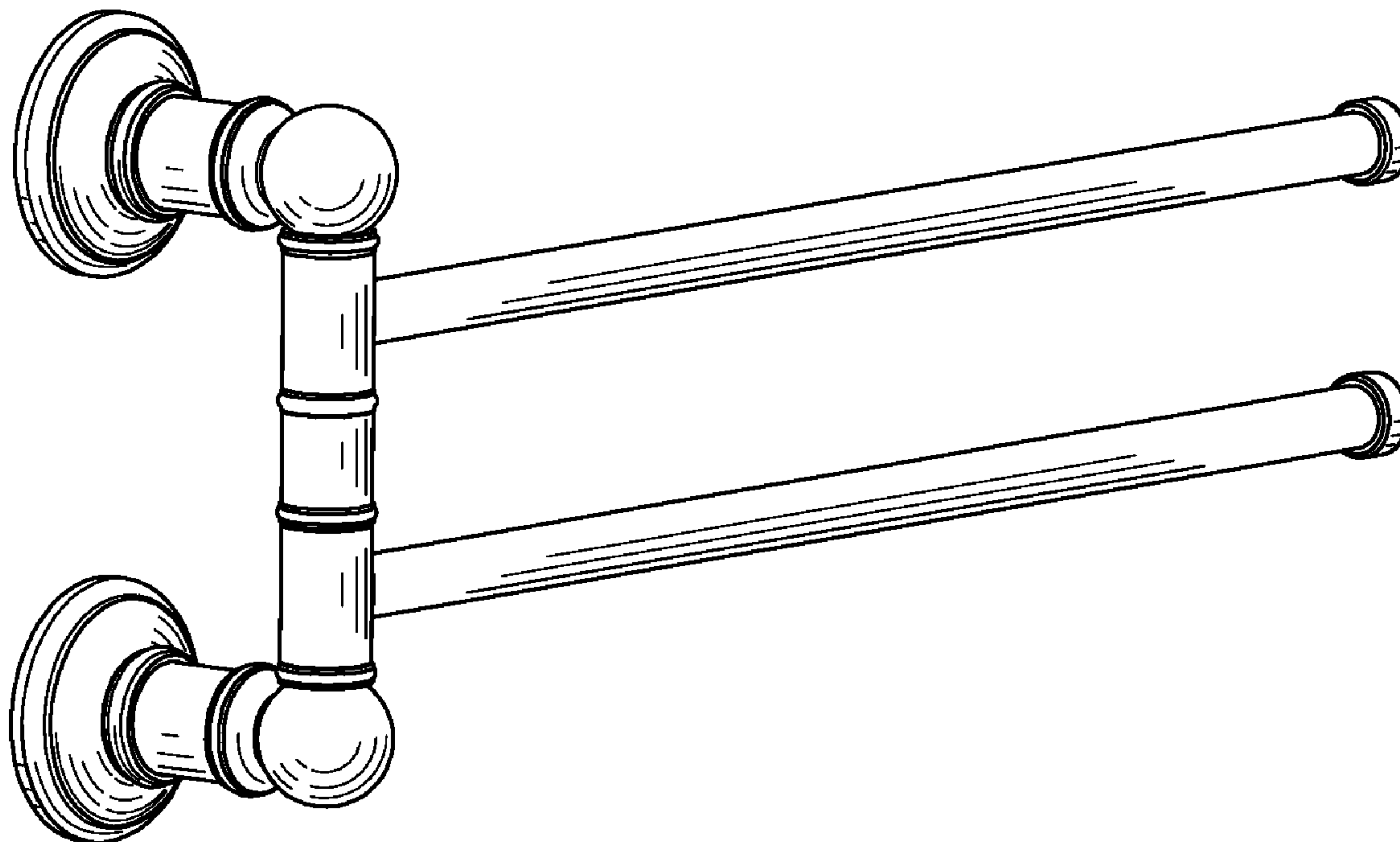
FIG. 6 is a left side elevational view thereof.

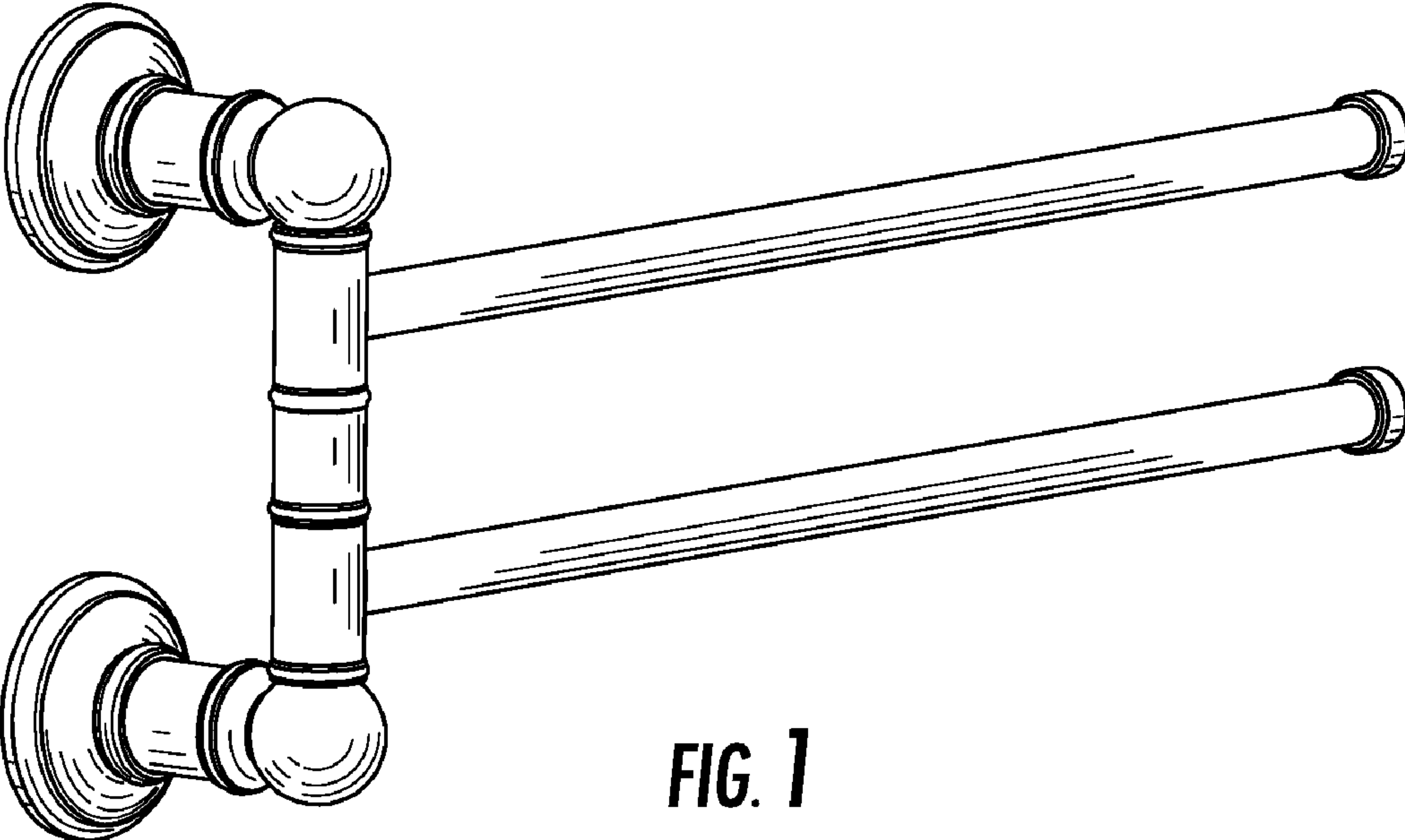
(56) **References Cited**

U.S. PATENT DOCUMENTS

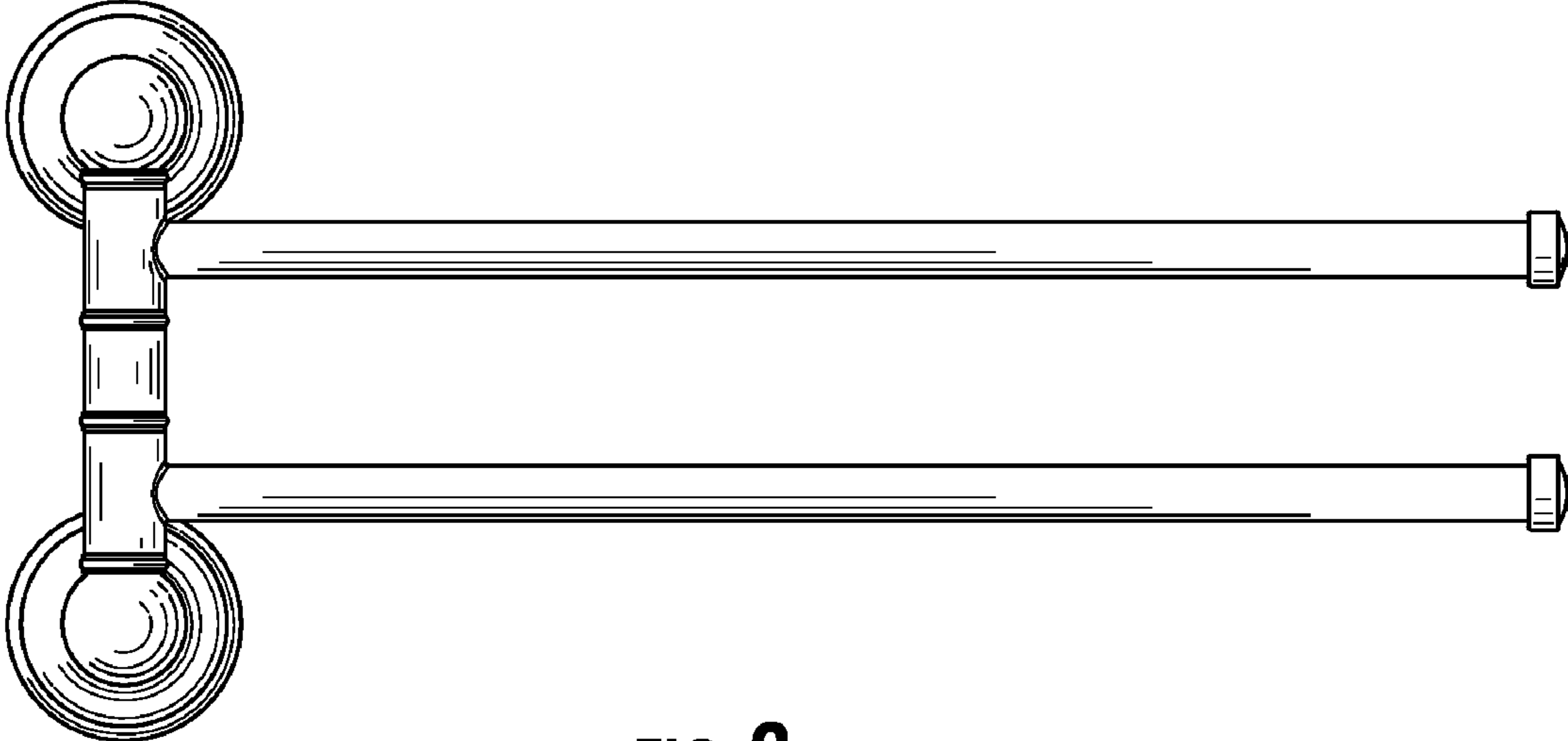
D157,212 S \* 2/1950 Stefan ..... D6/548  
D274,026 S \* 5/1984 Boroch ..... D6/548  
D282,705 S \* 2/1986 Chap ..... D6/548

**1 Claim, 6 Drawing Sheets**

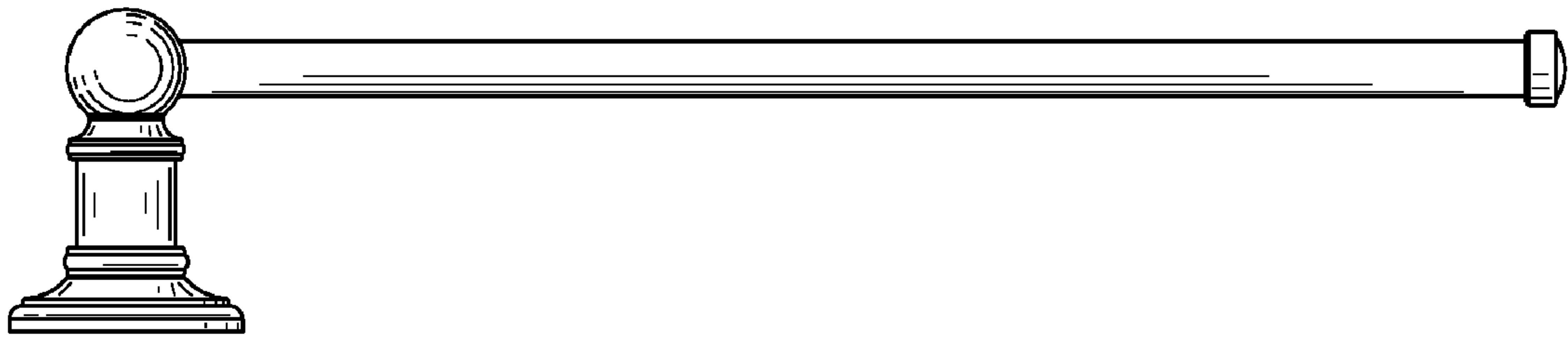




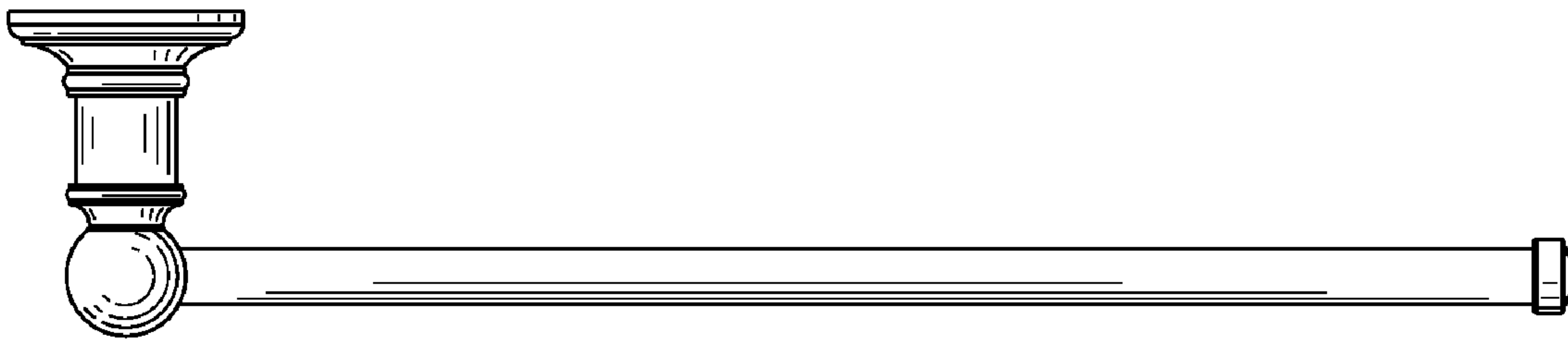
**FIG. 1**



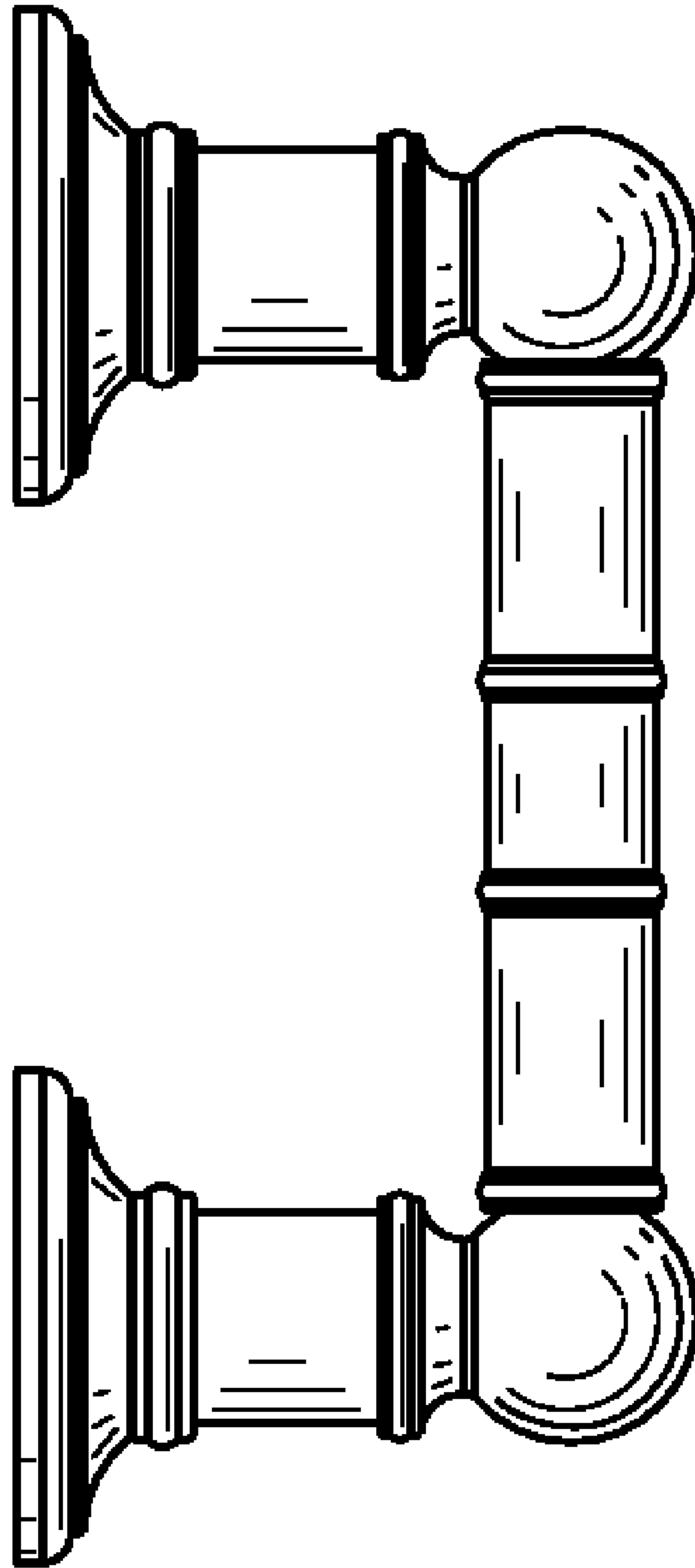
**FIG. 2**



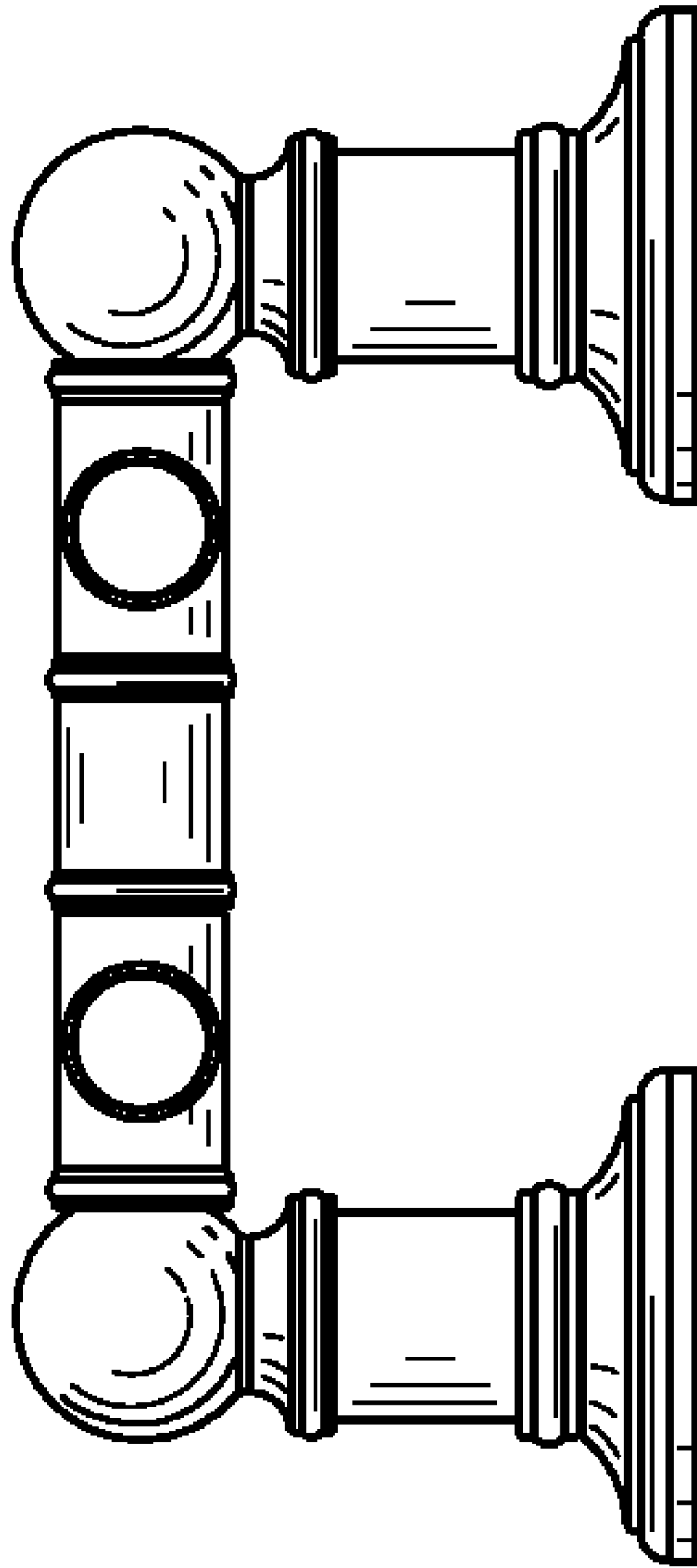
**FIG. 3**



**FIG. 4**



**FIG. 5**



**FIG. 6**