



US00D571591S

(12) **United States Design Patent**
Ramm et al.

(10) **Patent No.:** **US D571,591 S**
(45) **Date of Patent:** **** Jun. 24, 2008**

(54) **RAZOR HOLDER**

(75) Inventors: **Christopher Ramm**, North Attleboro, MA (US); **Vanessa Christie**, South Boston, MA (US)

(73) Assignee: **The Gillette Company**, Boston, MA (US)

(**) Term: **14 Years**

(21) Appl. No.: **29/291,470**

(22) Filed: **Aug. 30, 2007**

(51) **LOC (8) Cl.** **06-04**

(52) **U.S. Cl.** **D6/526; D9/748**

(58) **Field of Classification Search** D9/748, D9/749; D6/526; 206/208–210, 228, 349, 206/350–360; 30/537, 541; 211/13.1, 70.6, 211/86.01, 87.01, 88.01; 248/309.1; D28/73
See application file for complete search history.

(56) **References Cited**

U.S. PATENT DOCUMENTS

D320,342 S	10/1991	Gray	
D342,853 S *	1/1994	Grange	D6/526
D369,049 S *	4/1996	Scaglione	D6/526
D370,375 S	6/1996	Murgida et al.	
D370,844 S	6/1996	Shurtleff et al.	
D399,421 S	10/1998	Gray	
D400,746 S *	11/1998	Althaus et al.	D6/526
D401,145 S	11/1998	Gray	
5,903,978 A *	5/1999	Prochaska et al.	30/34.05
D419,722 S *	1/2000	Prochaska	D28/46
D423,845 S *	5/2000	Coffin et al.	D6/526
D425,296 S	5/2000	Shurtleff	
D426,676 S *	6/2000	Bushman	D28/73
6,415,517 B1 *	7/2002	Worrick, III	30/541
D464,222 S *	10/2002	Coffin et al.	D6/526
D480,245 S *	10/2003	Johansson et al.	D6/528
D494,795 S *	8/2004	Bunnell et al.	D6/526

D494,796 S *	8/2004	Dansreau et al.	D6/526
D495,179 S *	8/2004	Bunnell et al.	D6/526
6,886,792 B2 *	5/2005	Immerman	248/206.3
D511,105 S	11/2005	Dominesey et al.	
7,040,024 B2 *	5/2006	Lukan et al.	30/541
D533,740 S *	12/2006	Dombrowski et al.	D6/526
D534,815 S *	1/2007	White	D9/749
7,159,324 B2 *	1/2007	Worrick, III	30/541
D540,191 S	4/2007	Ramm et al.	
D542,675 S *	5/2007	Luxton et al.	D9/749
D546,199 S	7/2007	Gray et al.	
D558,606 S *	1/2008	Watson et al.	D9/749
D561,610 S *	2/2008	Renaldi et al.	D9/749

* cited by examiner

Primary Examiner—Stella M. Reid

Assistant Examiner—Mark A Goodwin

(74) *Attorney, Agent, or Firm*—Kevin C. Johnson

(57) **CLAIM**

The ornamental design for a razor holder, as shown and described.

DESCRIPTION

FIG. 1 is a left perspective view of a razor holder showing my new design;

FIG. 2 is a right perspective view thereof;

FIG. 3 is a top plan view thereof;

FIG. 4 is a left side elevational view thereof;

FIG. 5 is a bottom plan view thereof;

FIG. 6 is a right side elevational view thereof;

FIG. 7 is a front elevational view thereof; and,

FIG. 8 is a rear elevational view thereof.

The broken line showing of the bottom section of the razor tray is included for the purpose of illustrating environmental structure and forms no part of the claimed design.

1 Claim, 7 Drawing Sheets

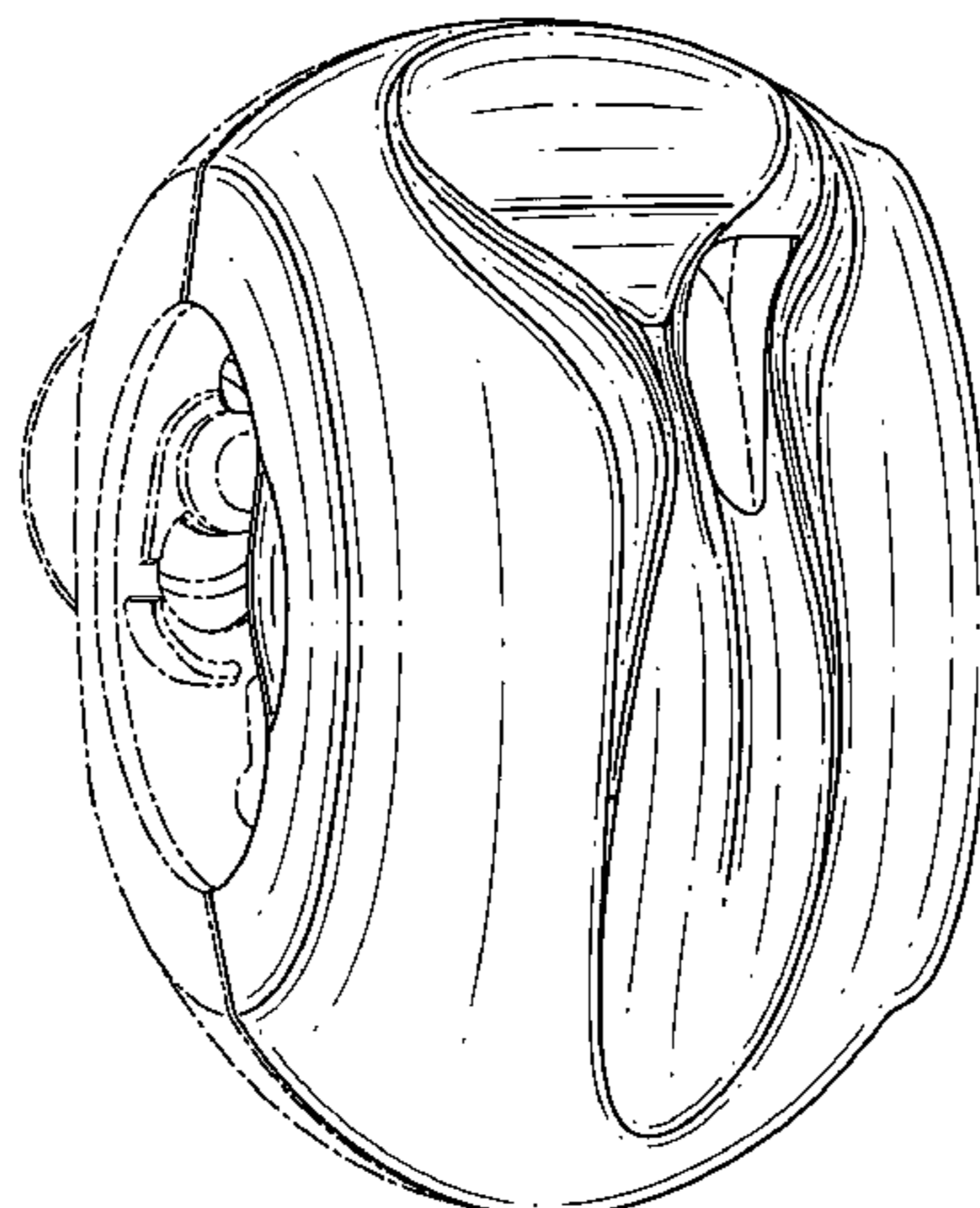


FIG. 1

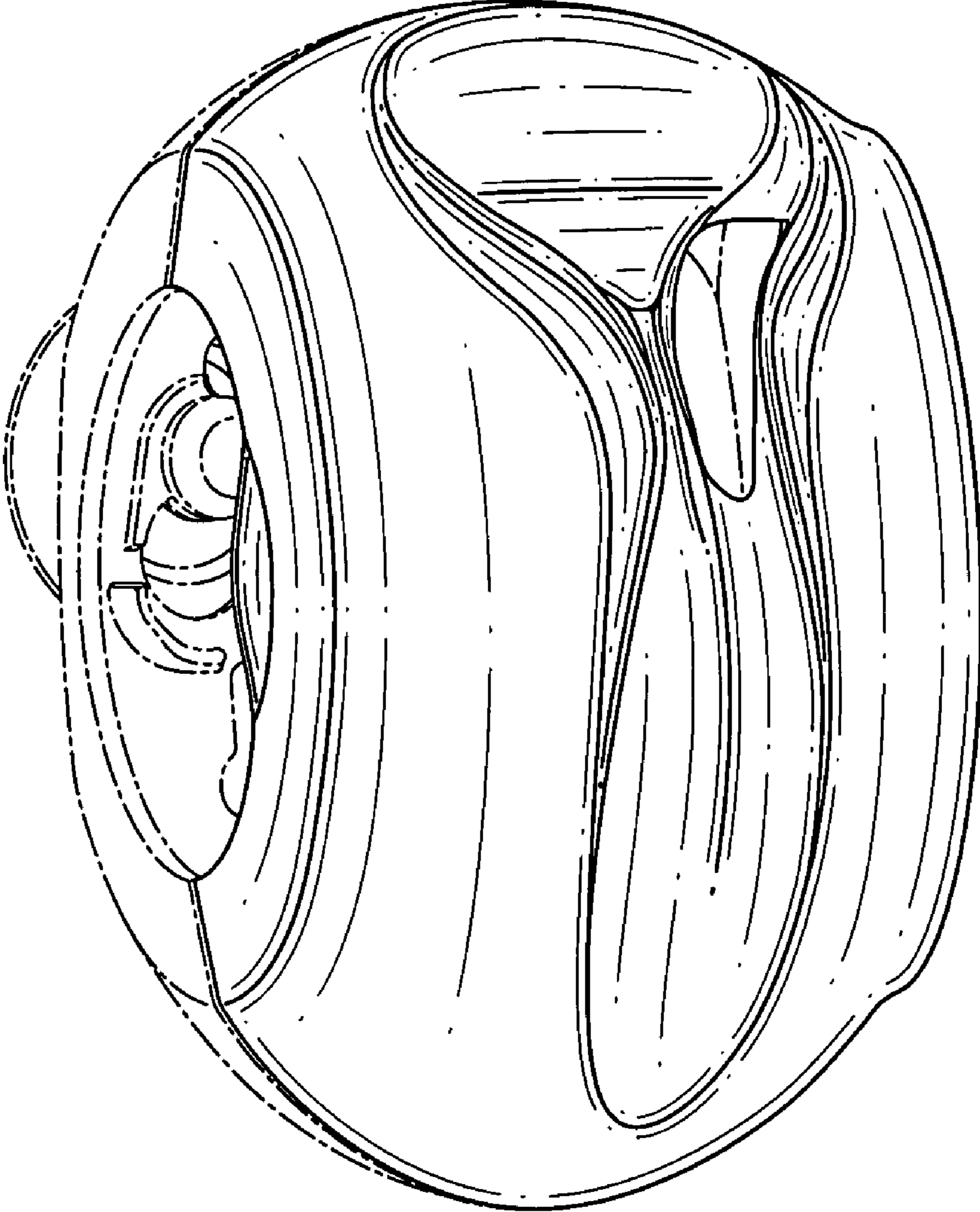


FIG. 2

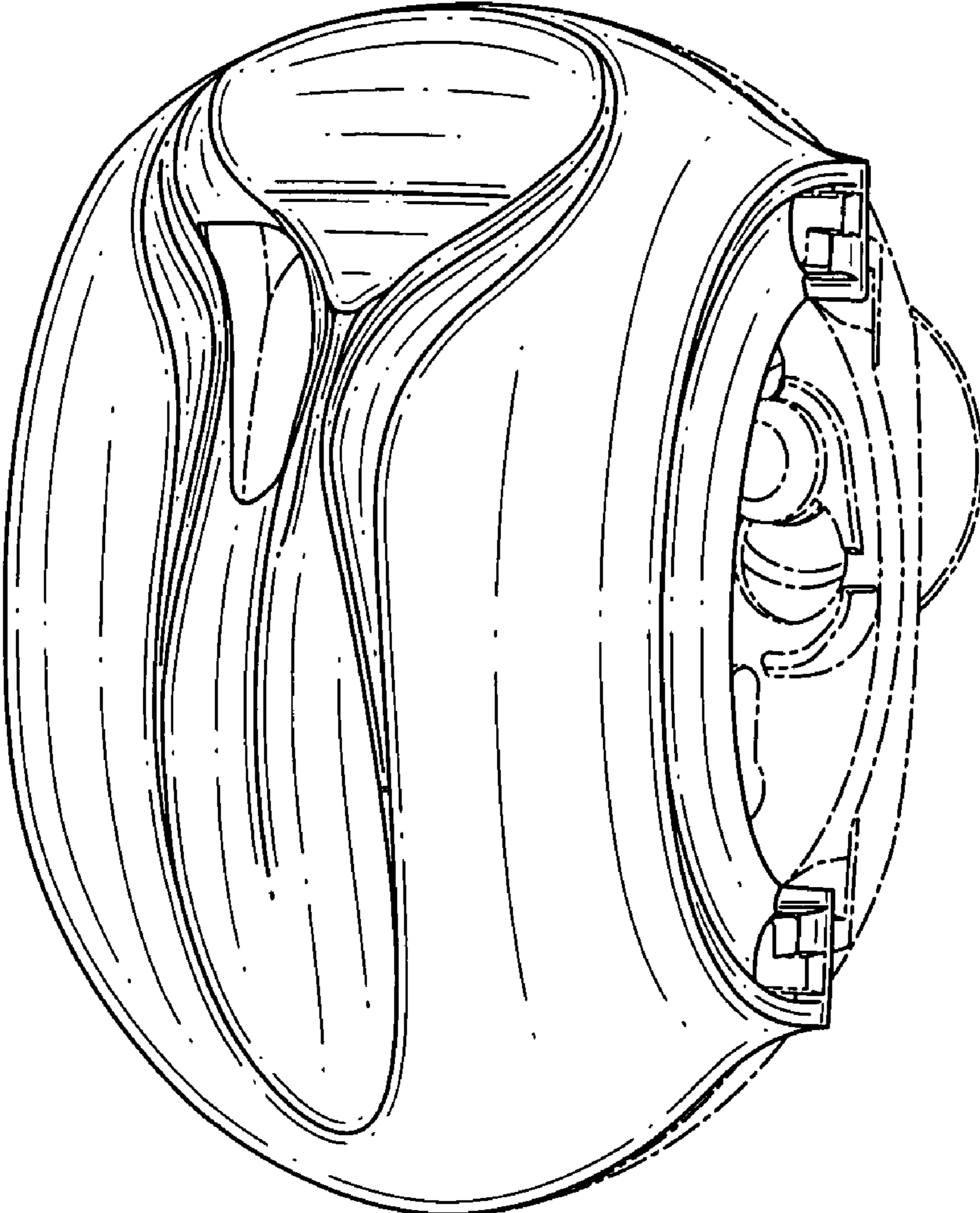


FIG. 3

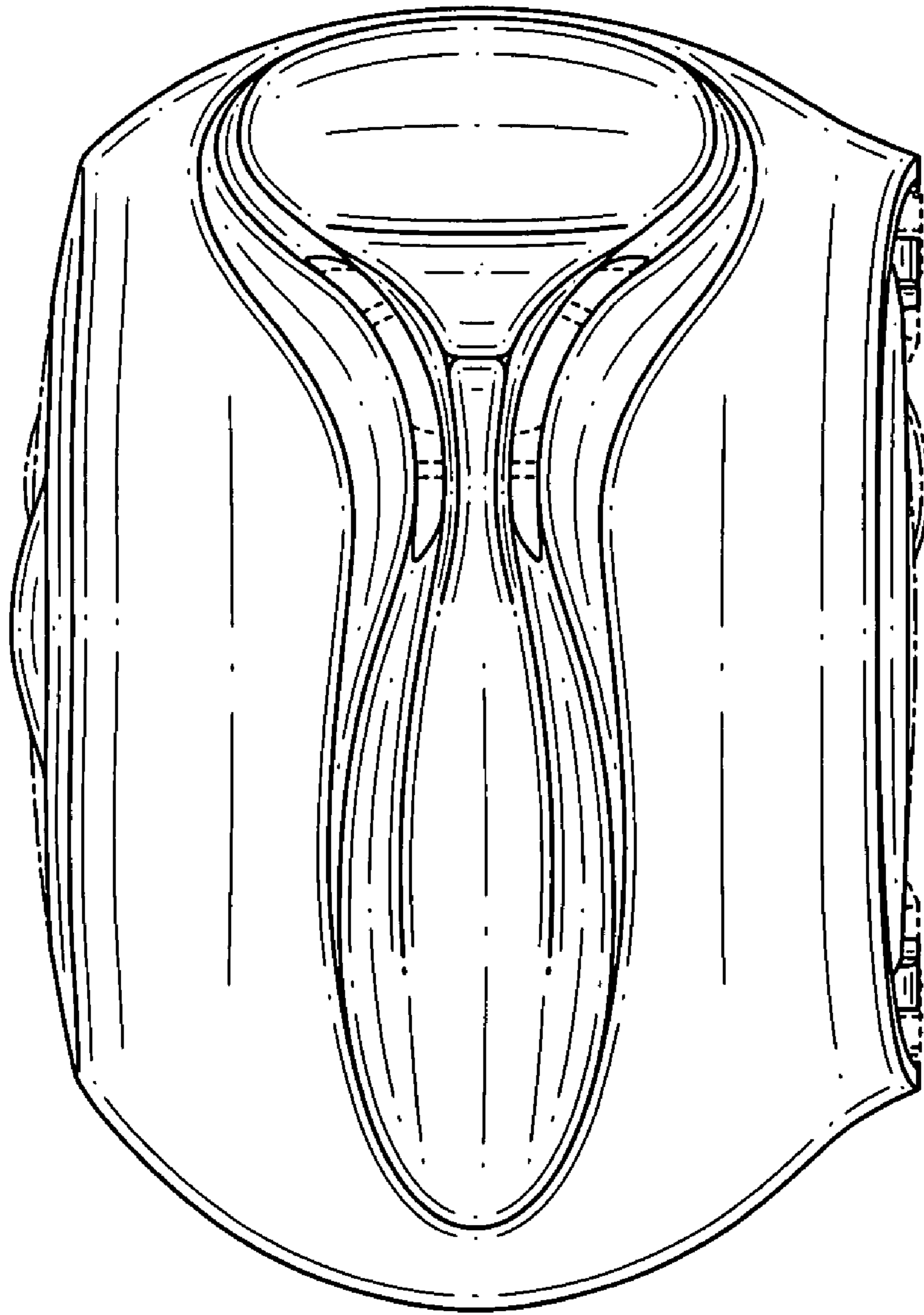


FIG. 4

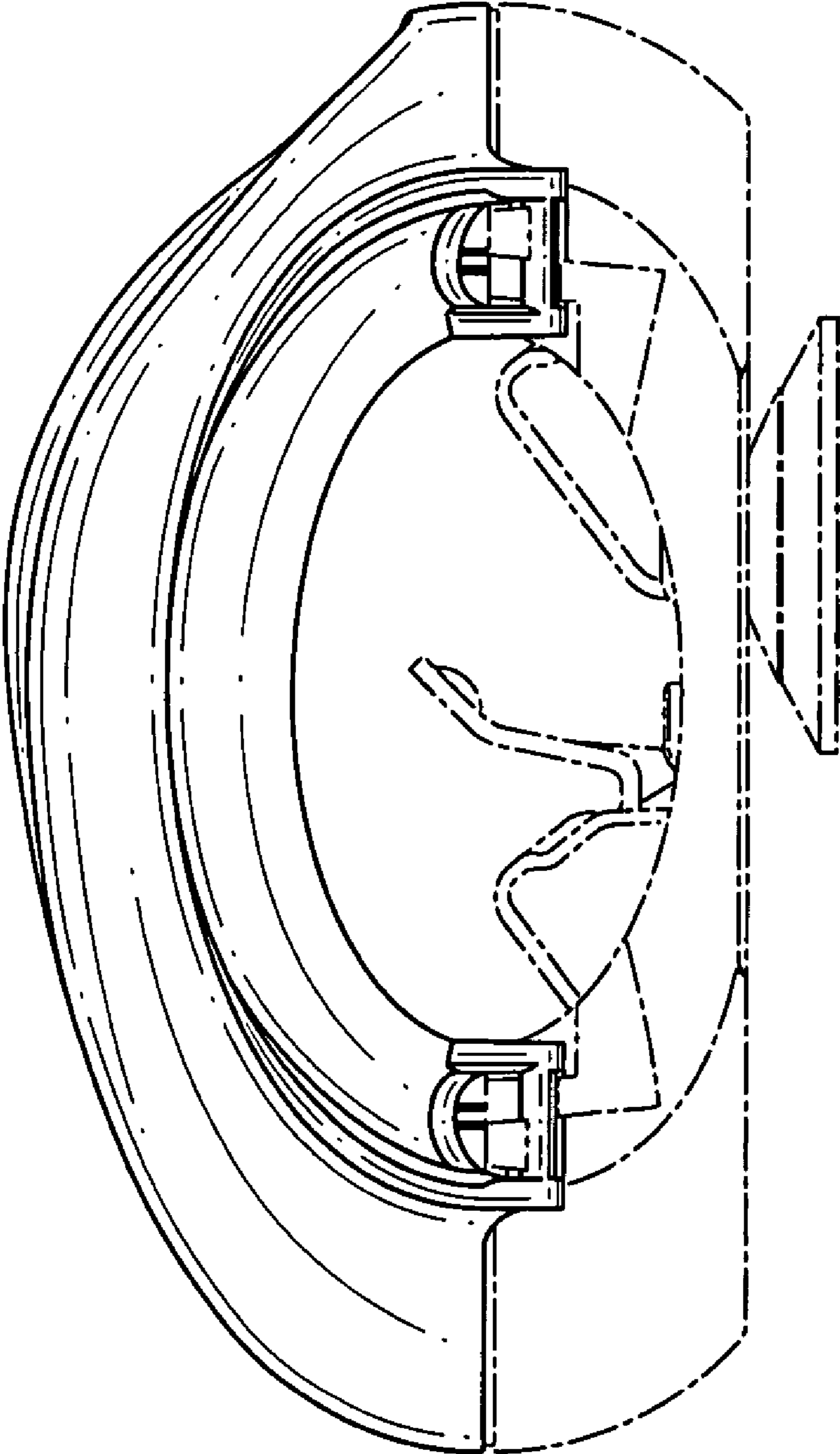


FIG. 5

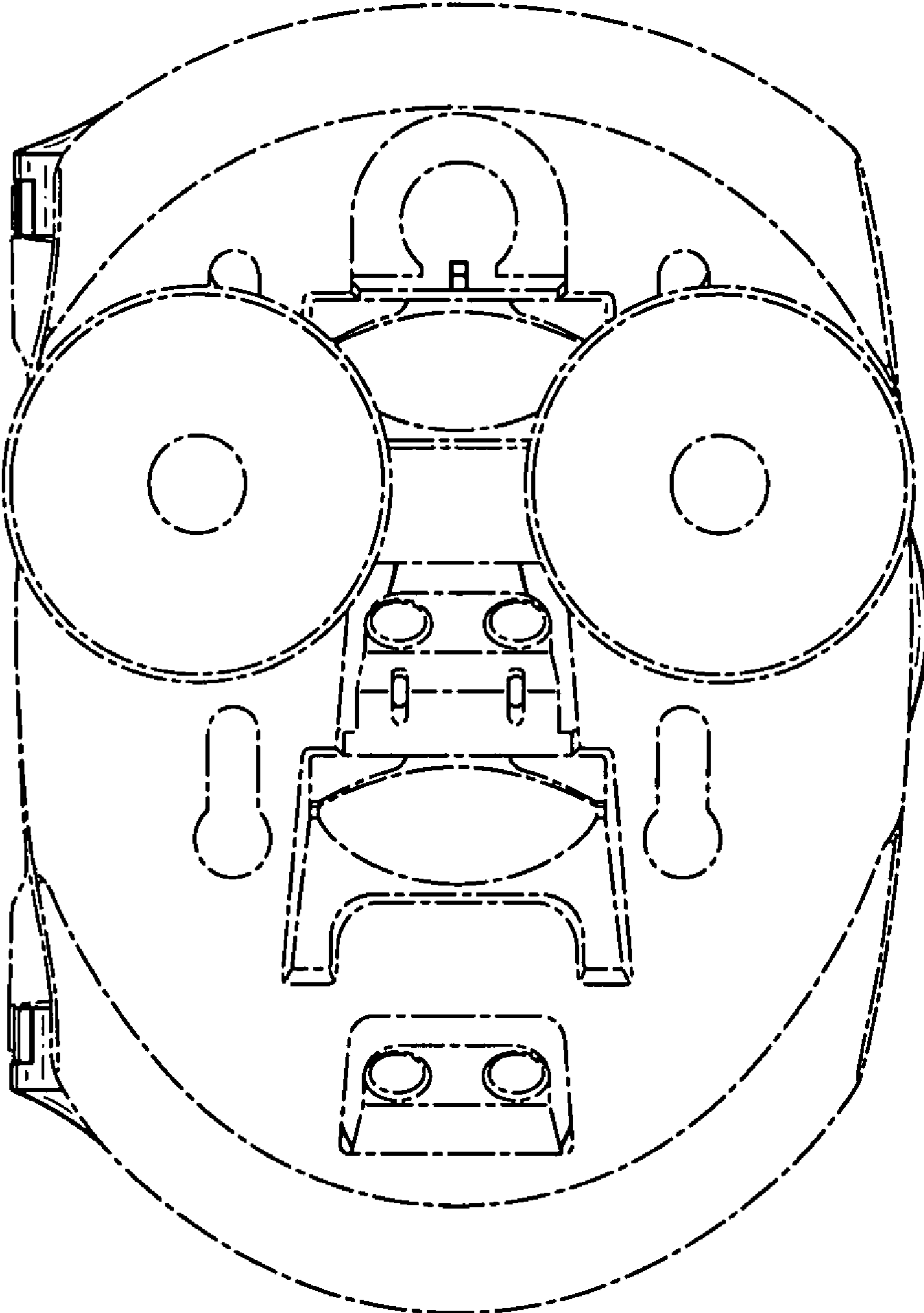


FIG. 6

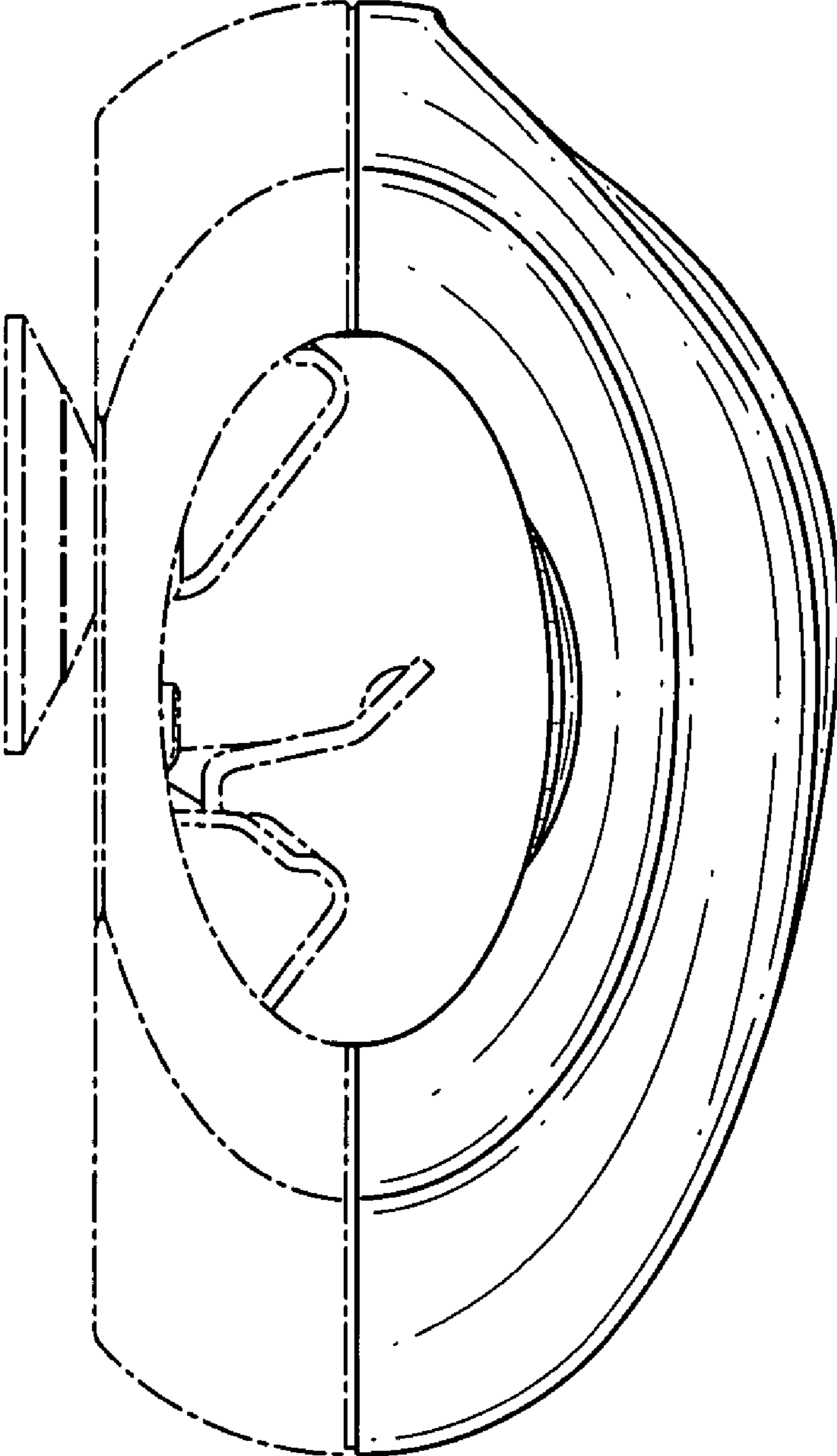


FIG. 7

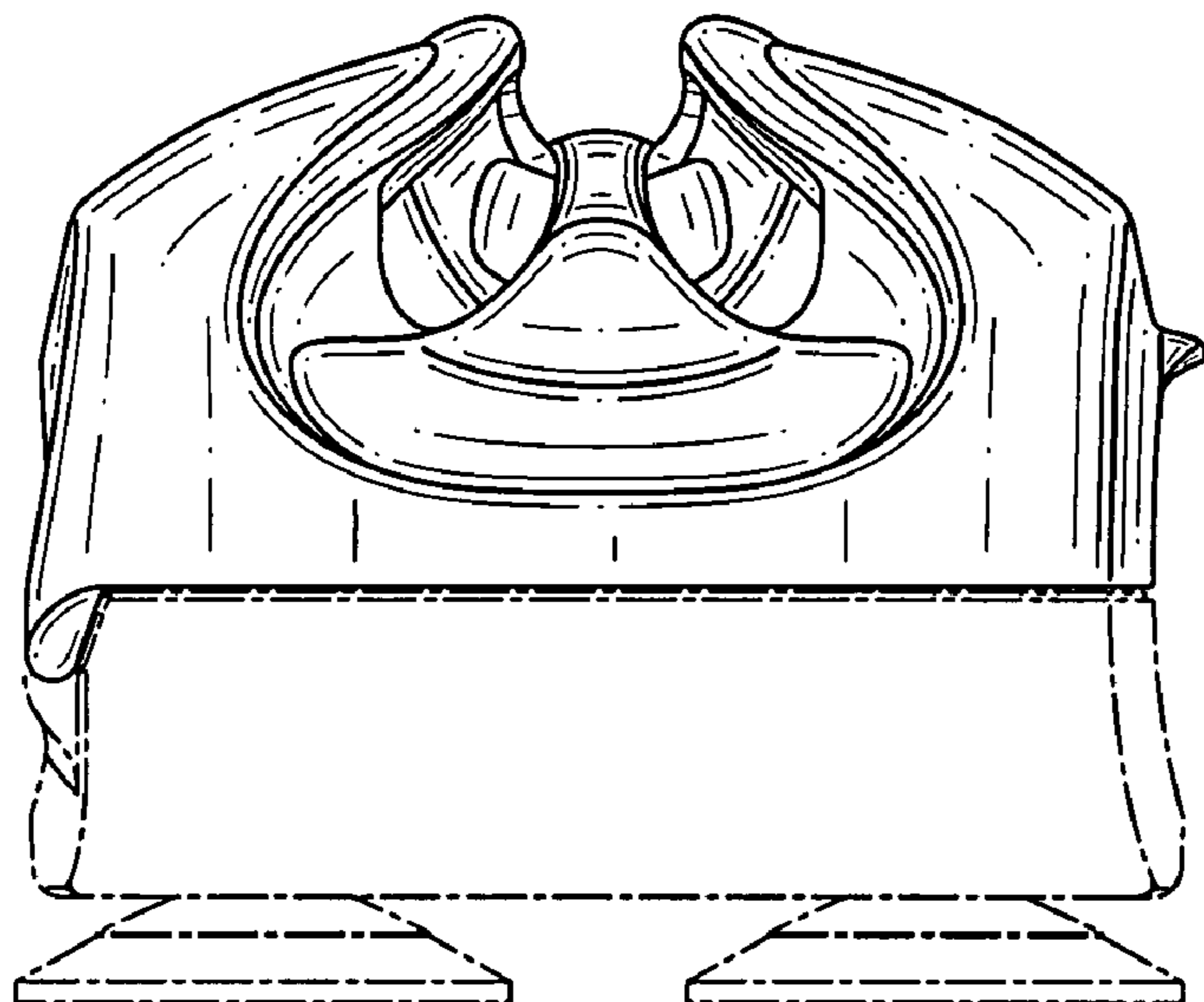


FIG. 8

