



US00D571588S

(12) **United States Design Patent**
McConnell et al.

(10) **Patent No.:** **US D571,588 S**
(45) **Date of Patent:** **** Jun. 24, 2008**

(54) **SHELF**

(75) Inventors: **Jennifer McConnell**, Greensboro, NC (US); **Earl David Forrest**, Asheboro, NC (US); **James L. Daniels**, Stokesdale, NC (US)

(73) Assignee: **Liberty Hardware Mfg. Corp.**, Winston-Salem, NC (US)

(**) Term: **14 Years**

(21) Appl. No.: **29/291,869**

(22) Filed: **Sep. 19, 2007**

(51) **LOC (8) Cl.** **06-06**

(52) **U.S. Cl.** **D6/511**

(58) **Field of Classification Search** D6/511,
D6/553, 567, 574; 108/28, 29; 248/235,
248/309.1; 211/13.1, 42, 71.01, 86.01, 88.01,
211/88.03, 90.01, 90.03, 126.1, 133.5, 134
See application file for complete search history.

(56) **References Cited**

U.S. PATENT DOCUMENTS

D416,723 S * 11/1999 Hsieh D6/511

D468,566 S * 1/2003 Morris D6/511
D488,335 S * 4/2004 Kerr D6/511
D506,340 S * 6/2005 Brandon D6/511
D541,563 S * 5/2007 LaBonia et al. D6/511
D547,585 S * 7/2007 Netto et al. D6/574

* cited by examiner

Primary Examiner—Brian N Vinson

(74) *Attorney, Agent, or Firm*—Edgar A. Zarins; Lloyd D. Doigan

(57) **CLAIM**

The ornamental design for a shelf, as shown and described.

DESCRIPTION

FIG. 1 is a perspective view of a shelf showing our new design;

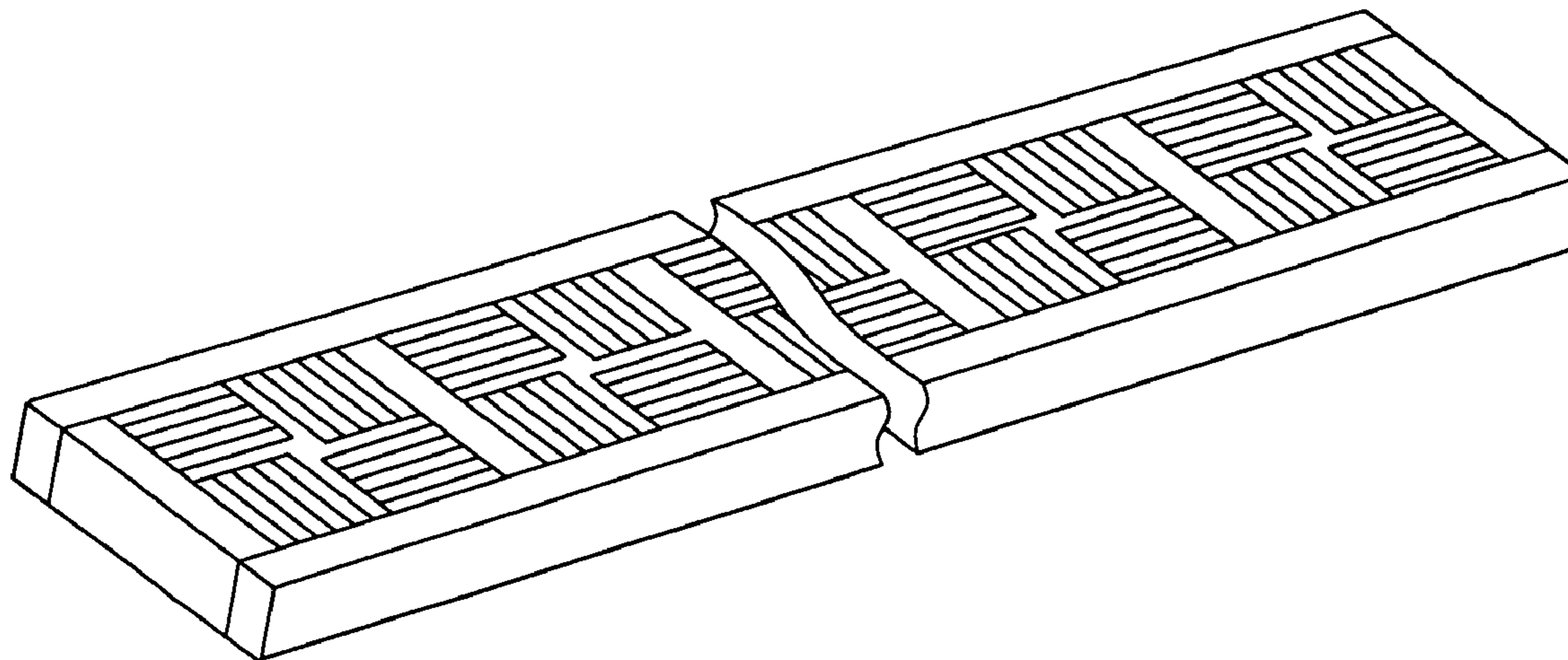
FIG. 2 is a top plan view thereof;

FIG. 3 is a front elevational view thereof; and,

FIG. 4 is an end view thereof, the opposite end being a mirror image of the end shown.

The shelf is shown broken-away in the views to indicate indeterminate length.

1 Claim, 1 Drawing Sheet



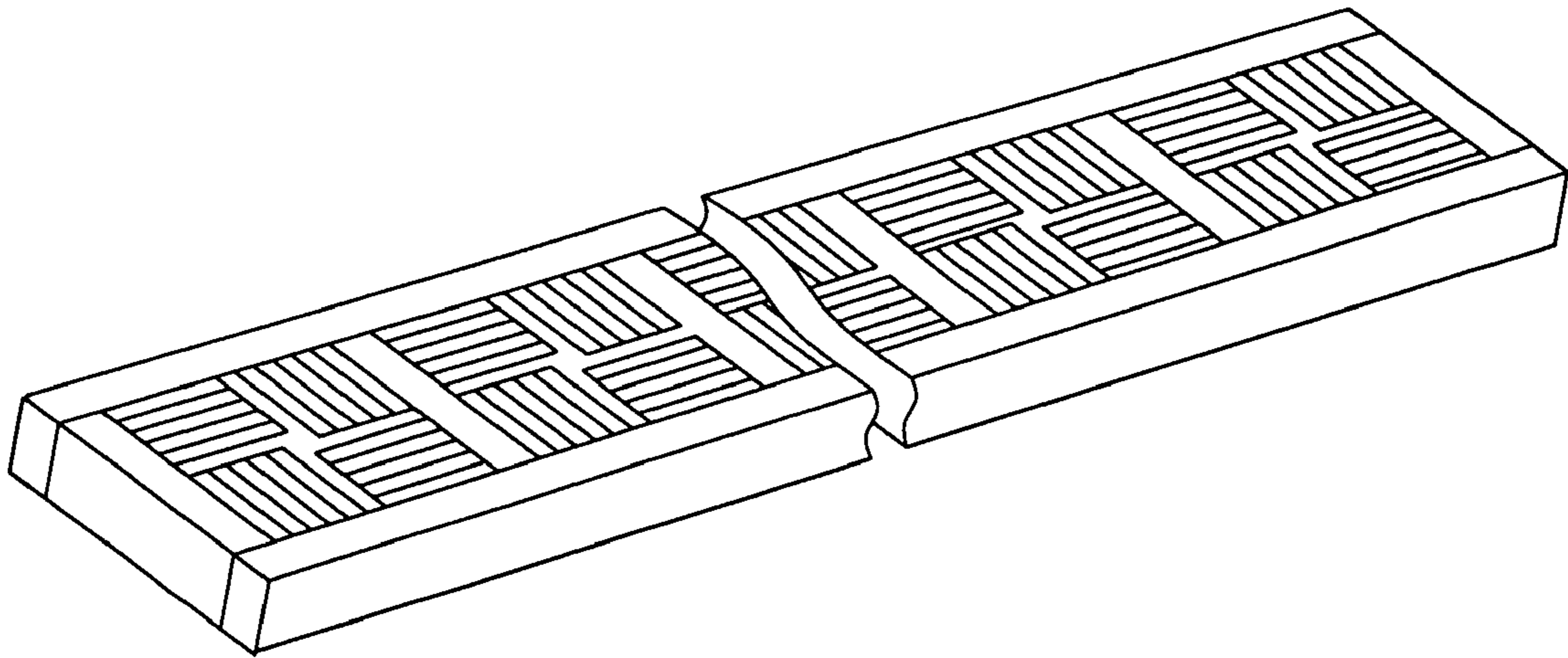


Fig-1

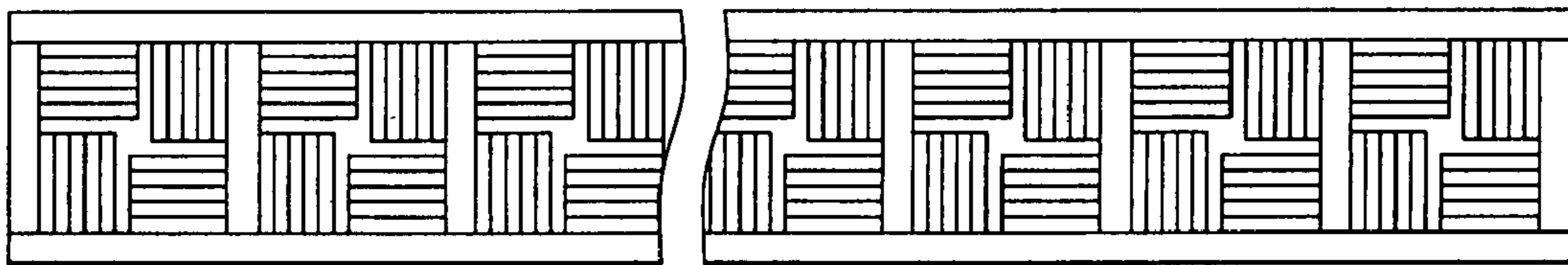


Fig-2



Fig-3



Fig-4