



US00D571586S

(12) **United States Design Patent**
Burak

(10) **Patent No.:** **US D571,586 S**
(45) **Date of Patent:** **** Jun. 24, 2008**

- (54) **DESKTOP**
- (75) Inventor: **Edward John Burak**, Raumati South (NZ)
- (73) Assignee: **Formway Furniture Limited**, Wellington (NZ)
- (**) Term: **14 Years**
- (21) Appl. No.: **29/249,463**
- (22) Filed: **Oct. 6, 2006**
- (51) **LOC (8) Cl.** **06-06**
- (52) **U.S. Cl.** **D6/511; D6/482**
- (58) **Field of Classification Search** D6/480-489, D6/511, 429, 428, 422, 425, 406.3; 108/150, 108/152, 153.1, 156, 161, 157.1, 50.01, 50.02; 312/238

See application file for complete search history.

(56) **References Cited**

U.S. PATENT DOCUMENTS

D81,654 S *	7/1930	Kopp	D6/486
D99,564 S *	5/1936	Talbert	D6/428
D165,273 S *	11/1951	Dunlap	D6/430
D218,176 S	7/1970	Des Marais et al.		
3,688,419 A	9/1972	Woolman		
3,858,528 A	1/1975	Petersen		
3,869,992 A	3/1975	Kramer		
D250,312 S *	11/1978	Duke et al.	D6/480
4,365,561 A	12/1982	Tellier et al.		
4,679,510 A	7/1987	Veyhl et al.		
4,838,177 A	6/1989	Vander Park		
4,840,023 A	6/1989	Borsani		
4,879,955 A	11/1989	Moll et al.		
D306,101 S	2/1990	Borsani		
4,936,228 A	6/1990	Capo-Bianco		
4,966,341 A	10/1990	Borsani		
4,974,915 A	12/1990	Bussard		
5,016,405 A	5/1991	Lee		
D320,129 S	9/1991	Perrego et al.		
5,078,055 A	1/1992	Bellini et al.		
5,103,741 A	4/1992	Grund et al.		
D331,672 S	12/1992	Brodbeck		
D332,189 S	1/1993	Brodbeck		
5,237,935 A	8/1993	Newhouse et al.		

D341,272 S	11/1993	Pesso		
D341,507 S *	11/1993	Harvey et al.	D6/482
5,352,033 A	10/1994	Gresham et al.		
D359,631 S	6/1995	Bubb		
D359,640 S	6/1995	Newhouse et al.		
5,438,937 A	8/1995	Ball et al.		
5,473,994 A	12/1995	Foley et al.		
5,522,323 A	6/1996	Richard		
5,546,873 A	8/1996	Conner et al.		
5,655,822 A	8/1997	Roberts et al.		
D389,680 S *	1/1998	Moore	D6/511
5,704,298 A	1/1998	Corpuz, Jr. et al.		
D390,382 S *	2/1998	Schwartz	D6/480
5,743,193 A	4/1998	Kakuta et al.		
D398,171 S *	9/1998	Gunthert	D6/483
D401,776 S	12/1998	Weng		
D402,623 S *	12/1998	Rosenfeld	D12/415
5,848,497 A	12/1998	Henderson		
D412,625 S	8/1999	Montague, III et al.		
5,943,966 A	8/1999	Machado et al.		
6,170,410 B1	1/2001	Gioacchini et al.		
6,202,567 B1	3/2001	Funk et al.		
6,427,608 B1	8/2002	Crinion		
D486,679 S *	2/2004	Linder	D6/511
6,725,784 B2	4/2004	Crinion		
6,792,876 B2	9/2004	Lin		
D512,851 S	12/2005	Chang		
6,990,909 B2	1/2006	Gosling et al.		
D520,274 S *	5/2006	Paus	D6/511
7,036,438 B2	5/2006	Okamoto et al.		
2005/0045073 A1	3/2005	Wasley		

FOREIGN PATENT DOCUMENTS

EP 0 006 707 A1 1/1980

OTHER PUBLICATIONS

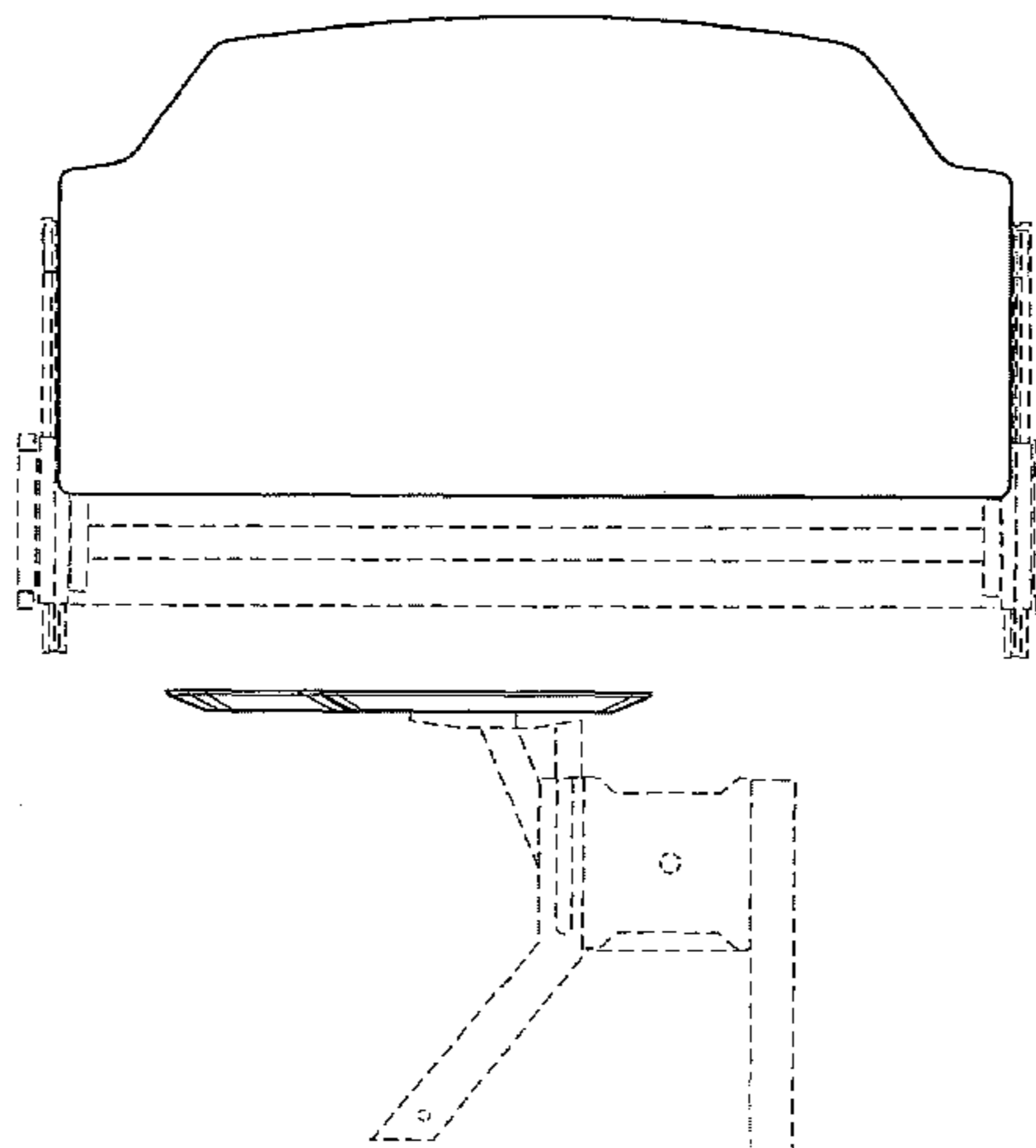
Nomos design: Foster Associates, Tecno spa Milano, published by at least as early as Oct. 1, 2006.

* cited by examiner

Primary Examiner—Janice E Seeger
(74) *Attorney, Agent, or Firm*—Workman Nydegger

(57) **CLAIM**

The ornamental design for a desktop, as shown and described.



DESCRIPTION

FIG. 1 is a top perspective view of a desktop showing my new design;

FIG. 2 is a top plan view thereof;

FIG. 3 is an elevational right side view thereof, the elevational left side view thereof being the mirror image thereof;

FIG. 4 is an elevational back view thereof;

FIG. 5 is an elevational front view thereof;

FIG. 6 is a perspective view thereof;

FIG. 7 is an elevational front view thereof,

FIG. 8 is an top plan view thereof;

FIG. 9 is an elevational right side view thereof, the elevational left side view thereof being the mirror image thereof;

FIG. 10 is an elevational back view thereof;

FIG. 11 is a perspective view of a second embodiment of a desktop showing my new design;

FIG. 12 is a top plan view thereof;

FIG. 13 is an elevational right side view thereof, the elevational left side view thereof being the mirror image thereof;

FIG. 14 is an elevational back view thereof;

FIG. 15 is an elevational front view thereof;

FIG. 16 is a perspective view thereof;

FIG. 17 is an elevational front view thereof

FIG. 18 is a top plan view thereof;

FIG. 19 is an elevational right side view thereof, the elevational left side view thereof being the mirror image thereof;

FIG. 20 is an elevational back view thereof;

FIG. 21 is a perspective view of a third embodiment of a desktop showing my new design;

FIG. 22 is a top plan view thereof;

FIG. 23 is an elevational right side view thereof, the elevational left side view thereof being the mirror image thereof;

FIG. 24 is an elevational back view thereof;

FIG. 25 is an elevational front view thereof;

FIG. 26 is a perspective view thereof;

FIG. 27 is an elevational front view thereof;

FIG. 28 is a top plan view thereof;

FIG. 29 is a elevational right side view thereof, the elevational left side view thereof being the mirror image thereof; and,

FIG. 30 is an elevational back view thereof.

The broken lines showing the support structure for the desktops are for illustrative purposes only and form no part of the claimed design.

1 Claim, 12 Drawing Sheets

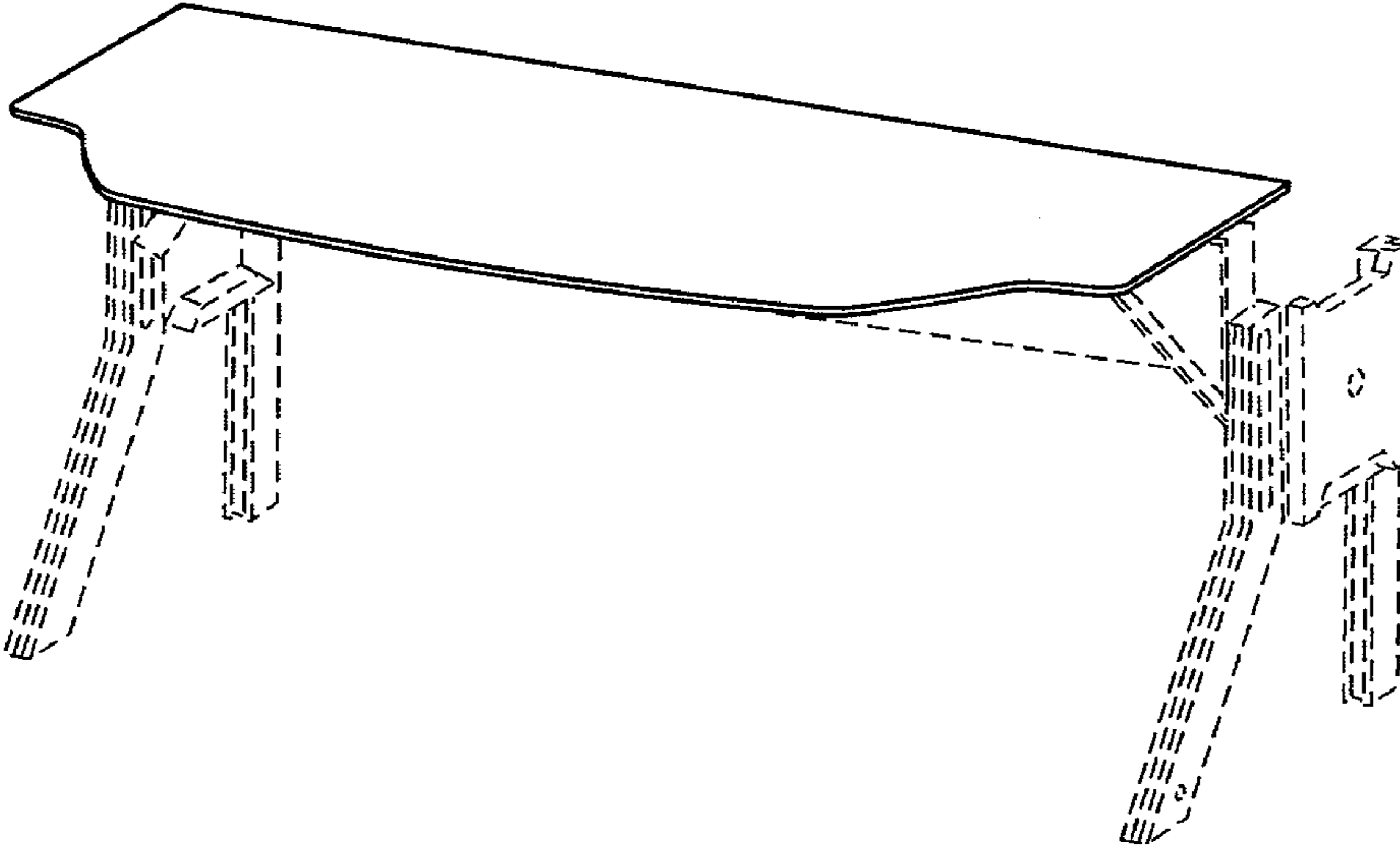


FIG. 1

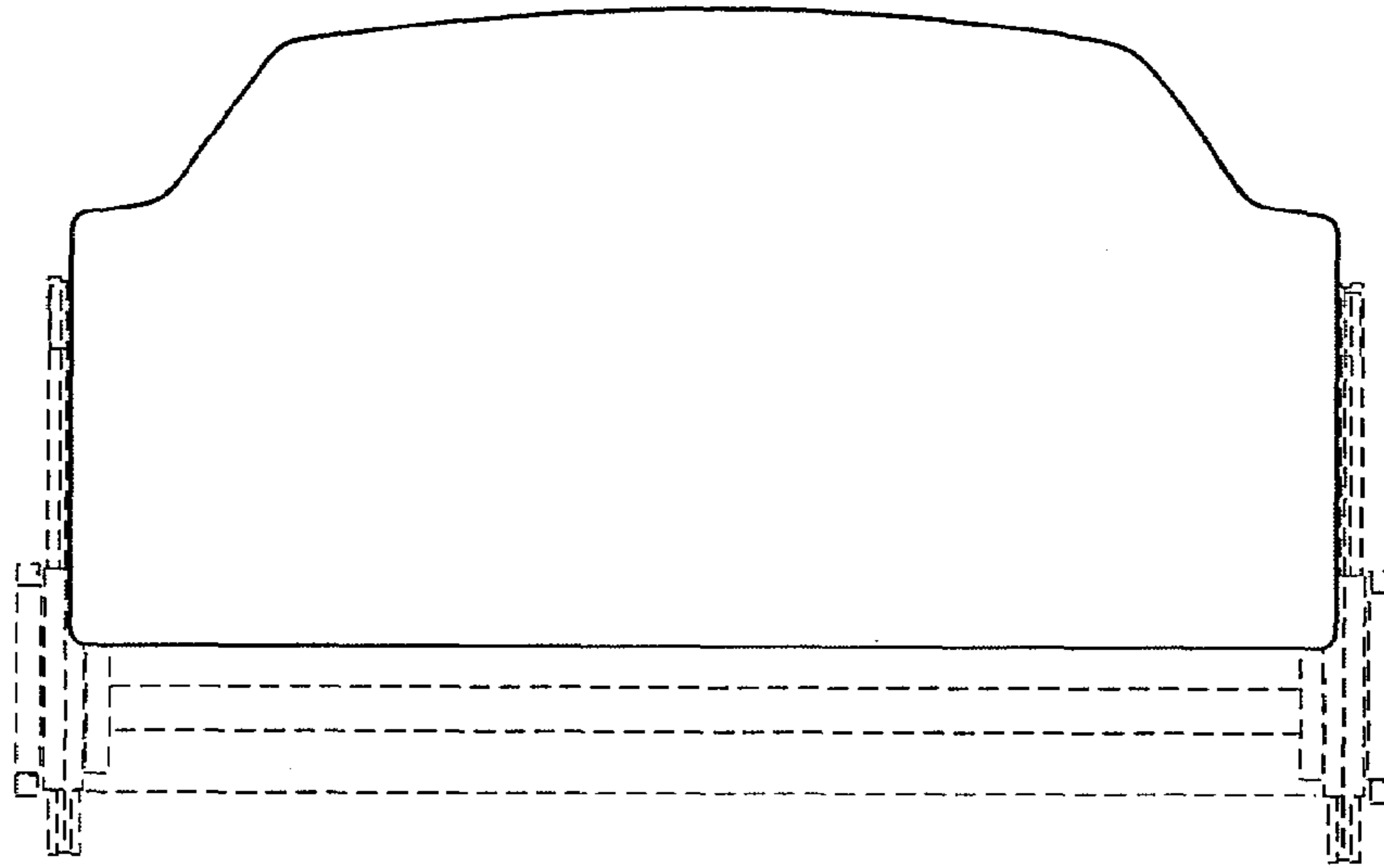


FIG. 2

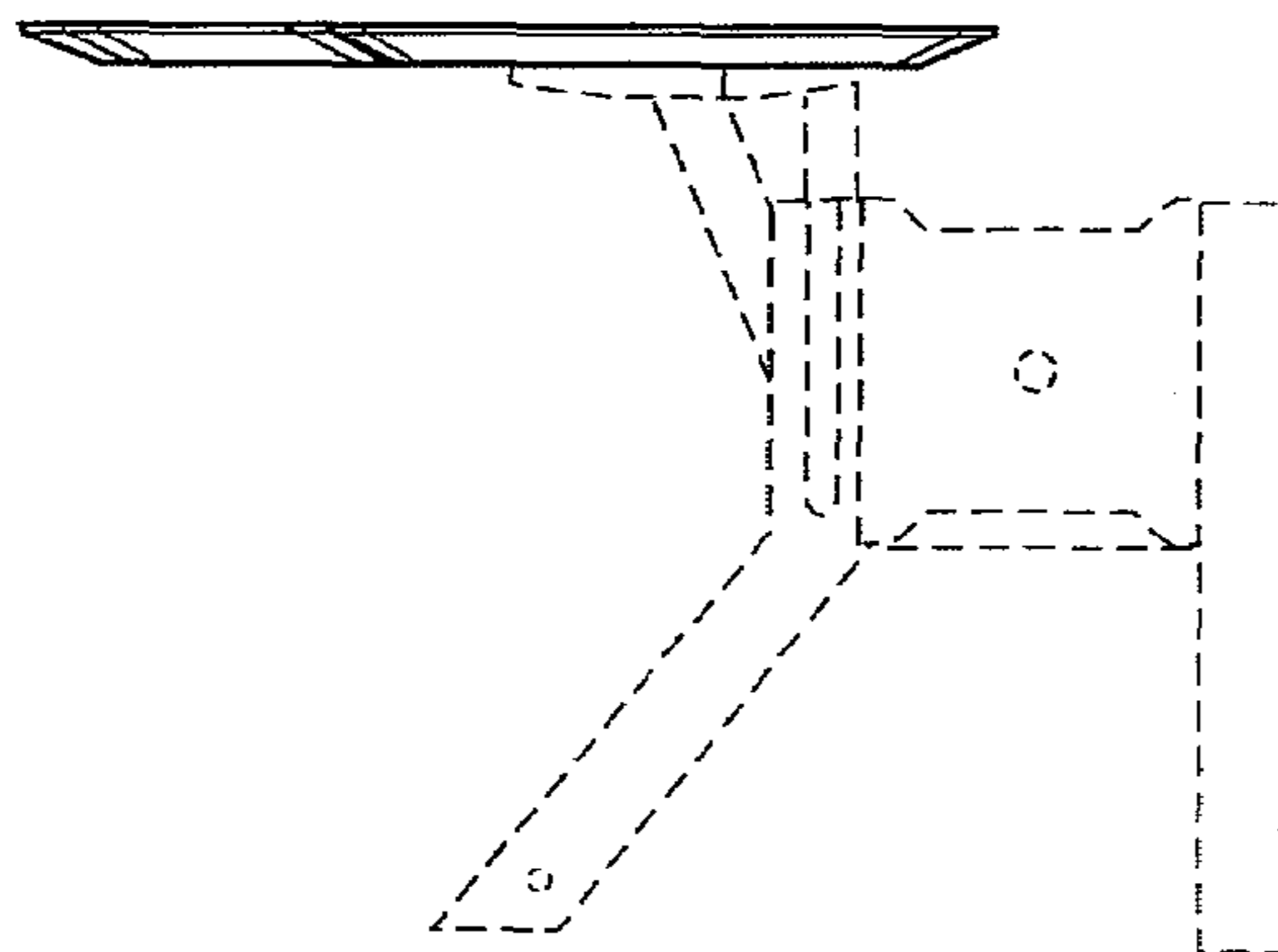


FIG. 3

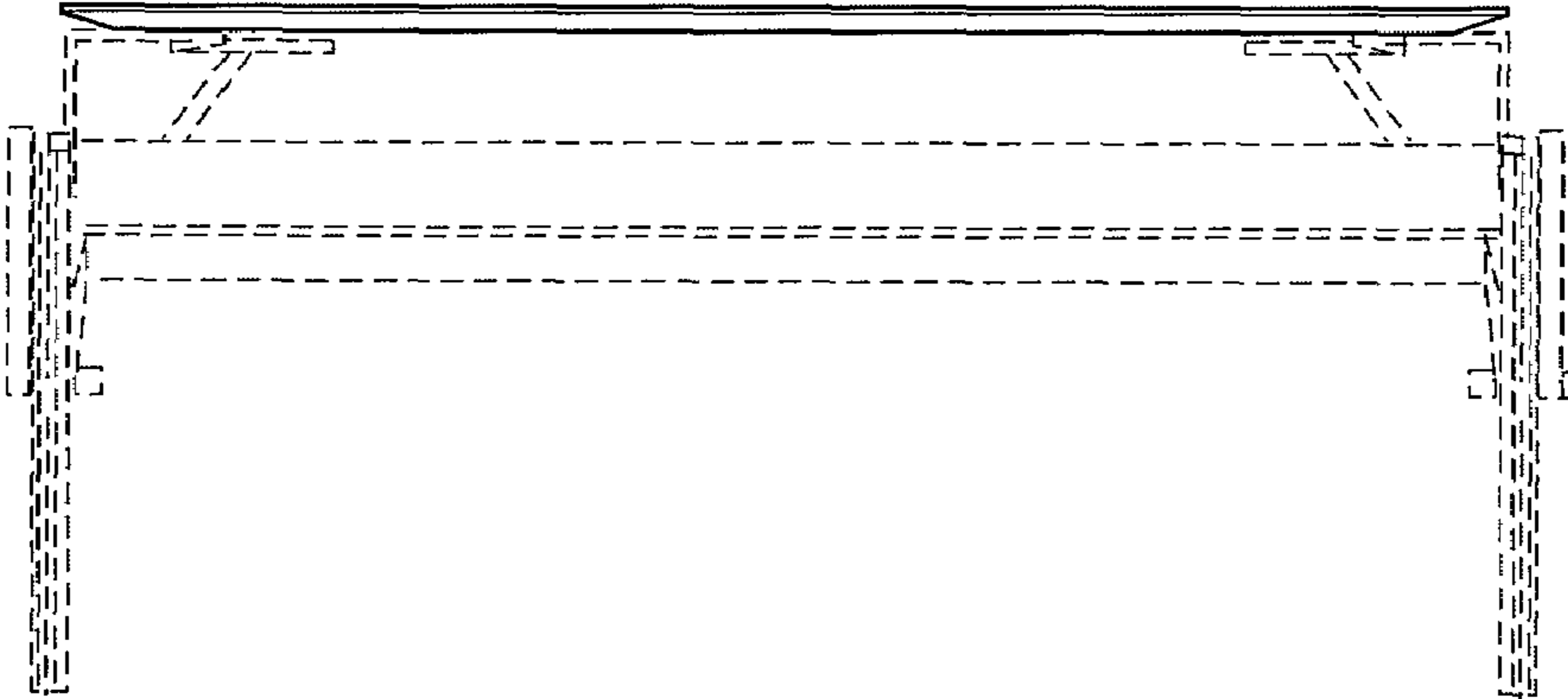


FIG. 4

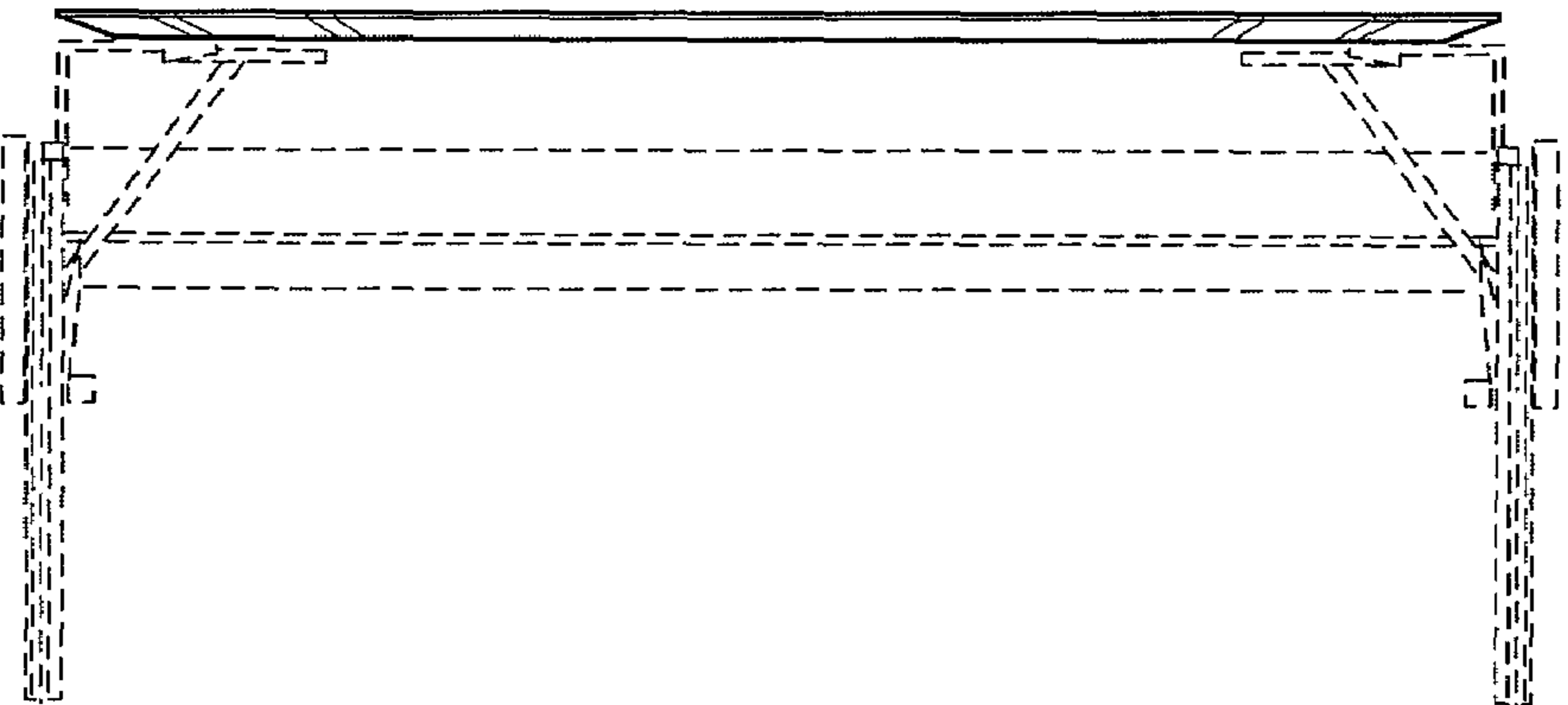


FIG. 5

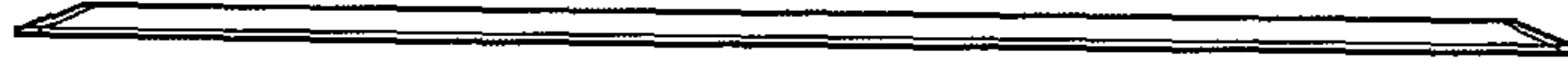


FIG. 10

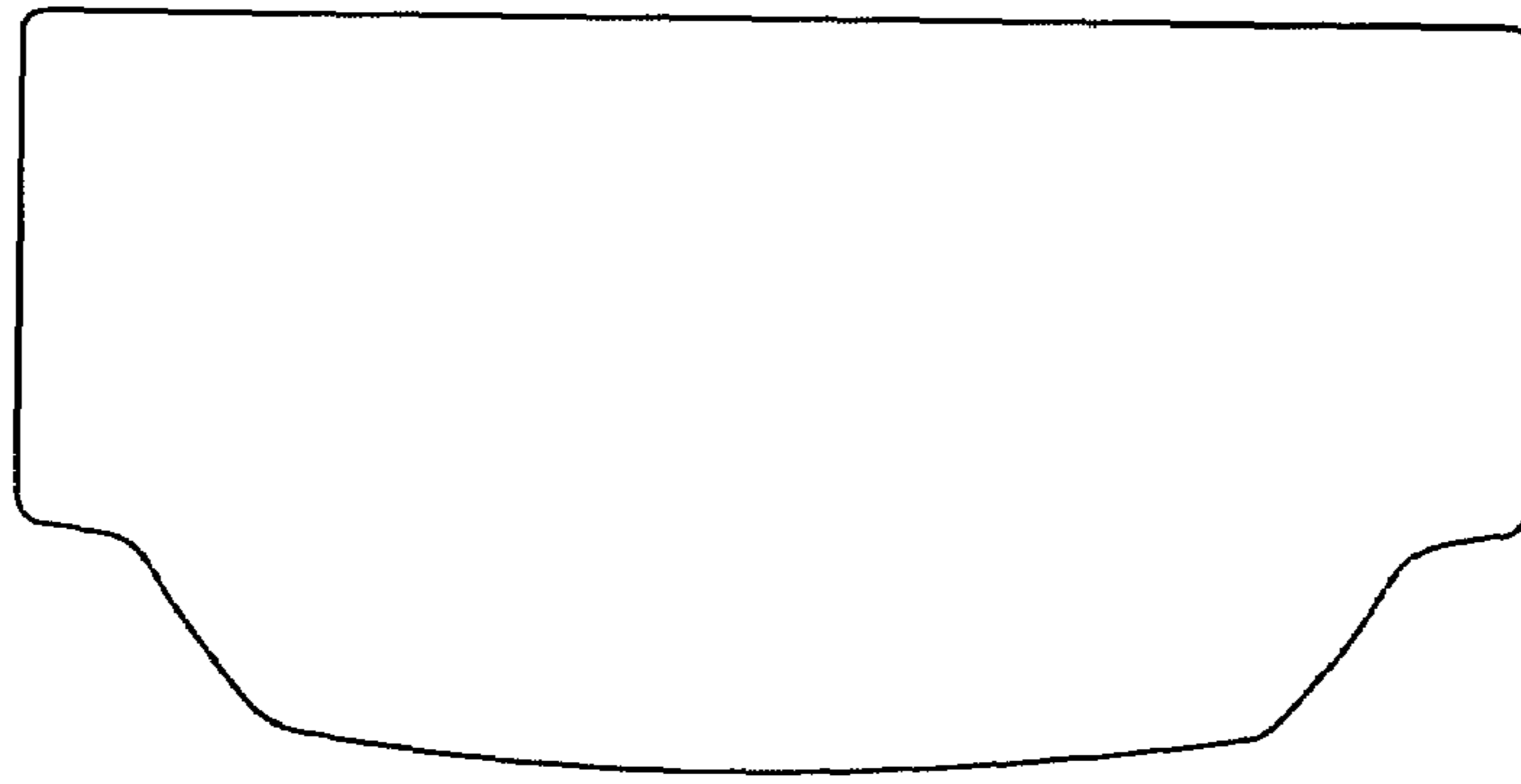


FIG. 8



FIG. 9

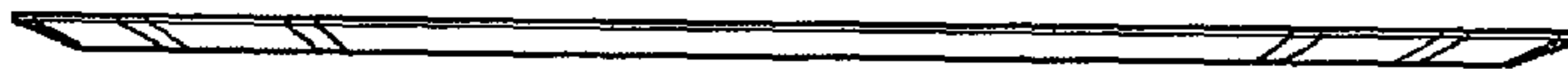


FIG. 7

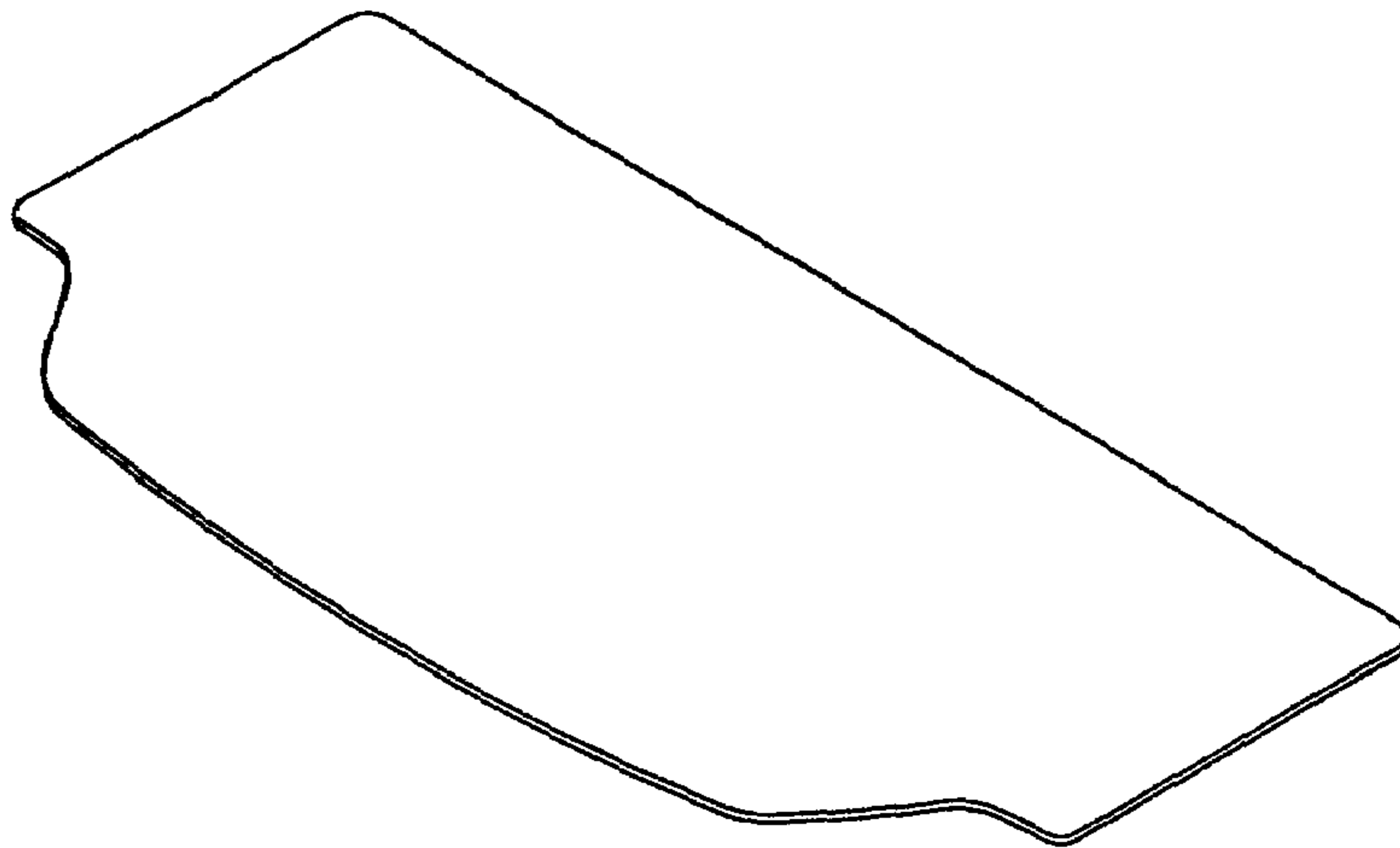


FIG. 6

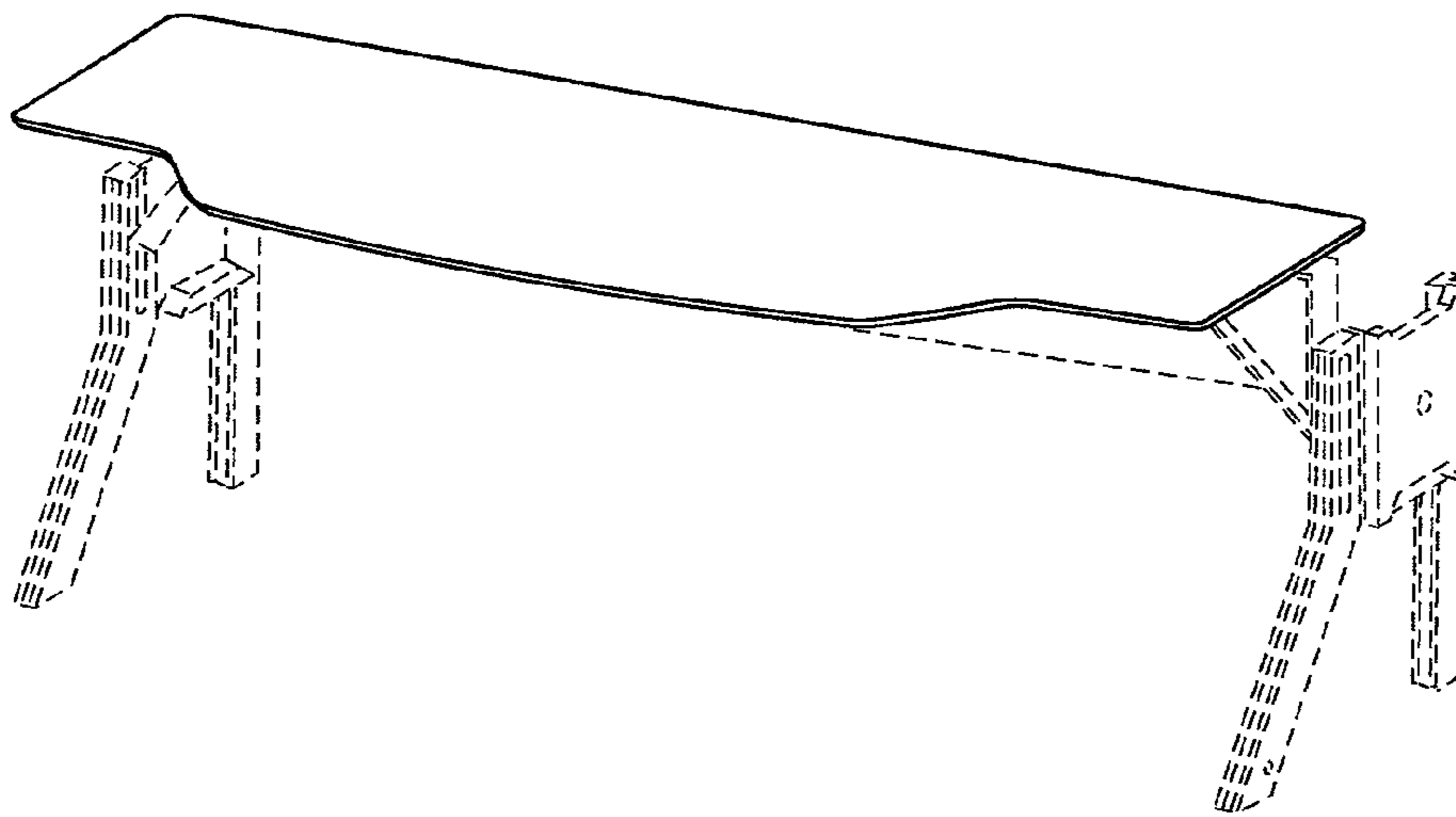


FIG. 11

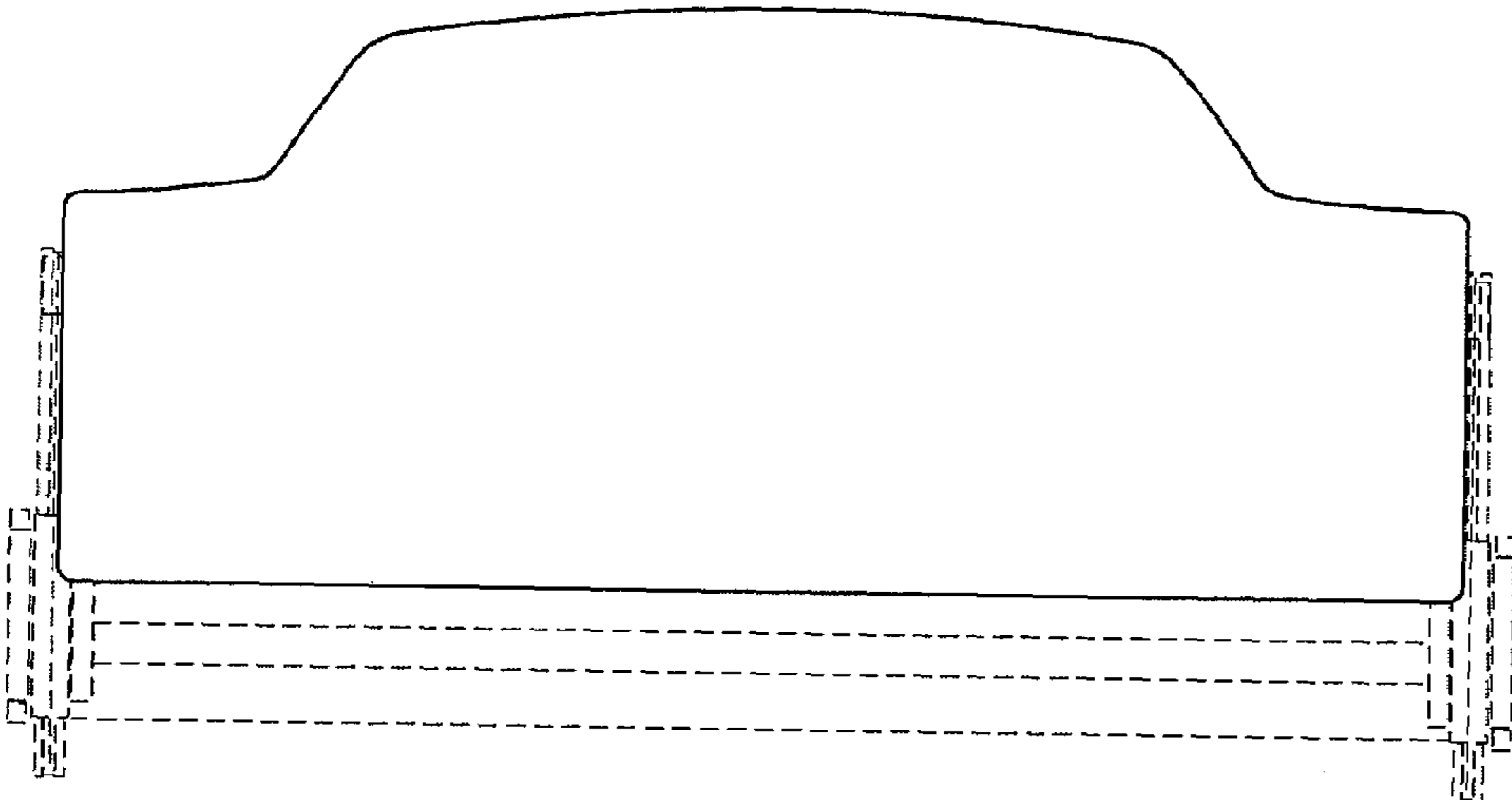


FIG. 12

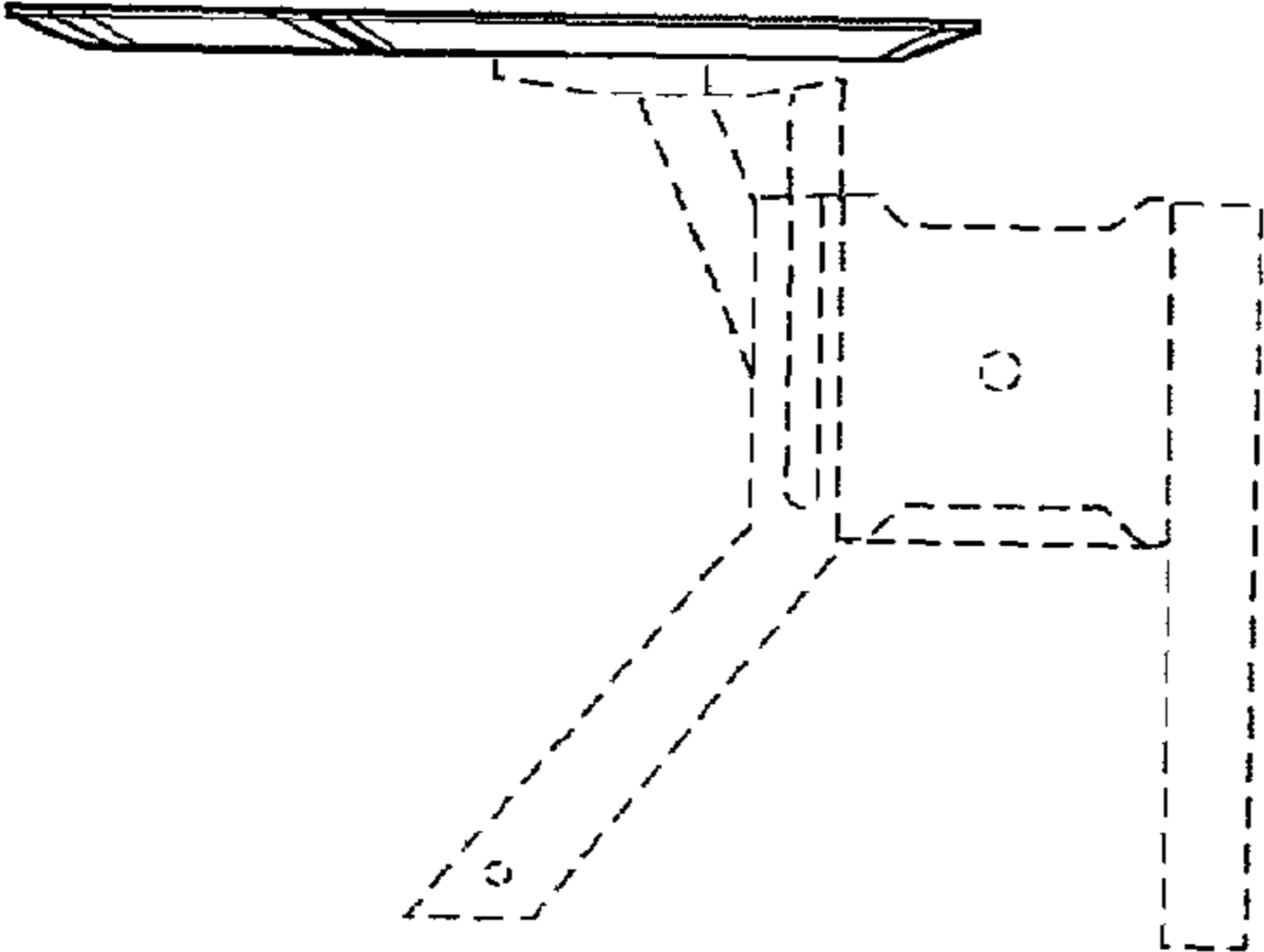


FIG. 13

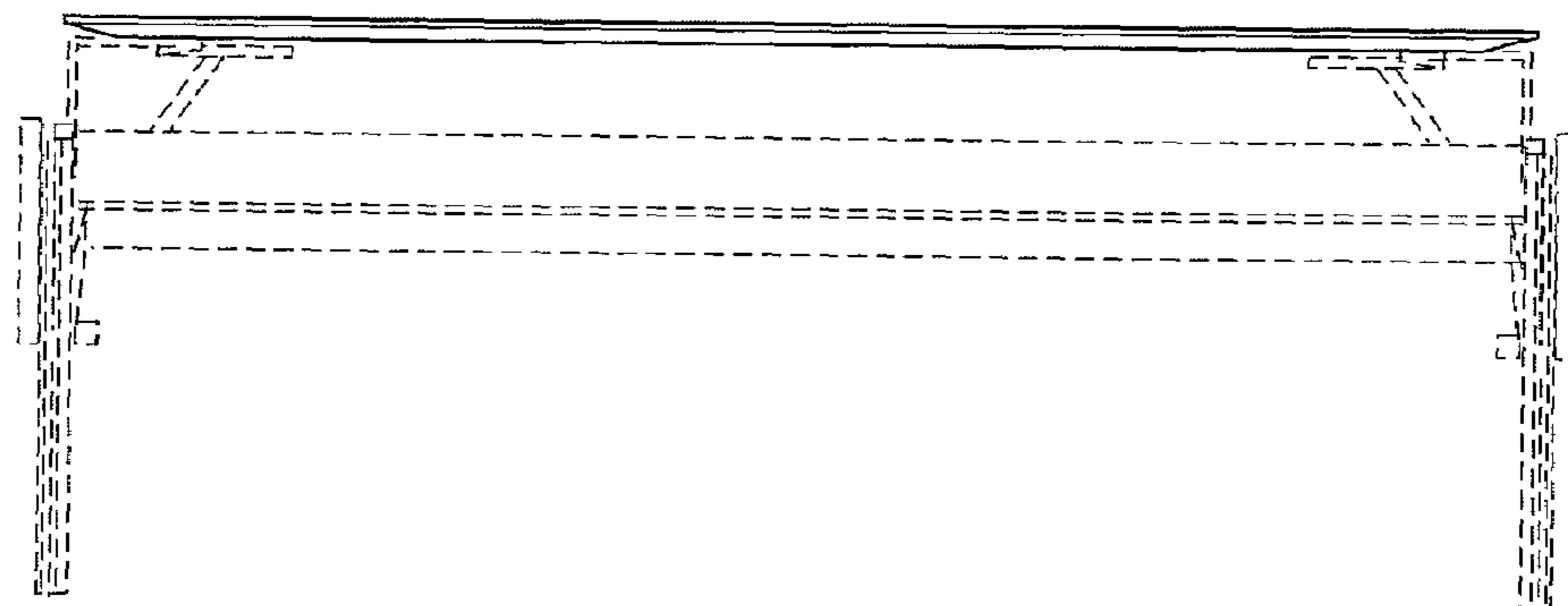


FIG. 14

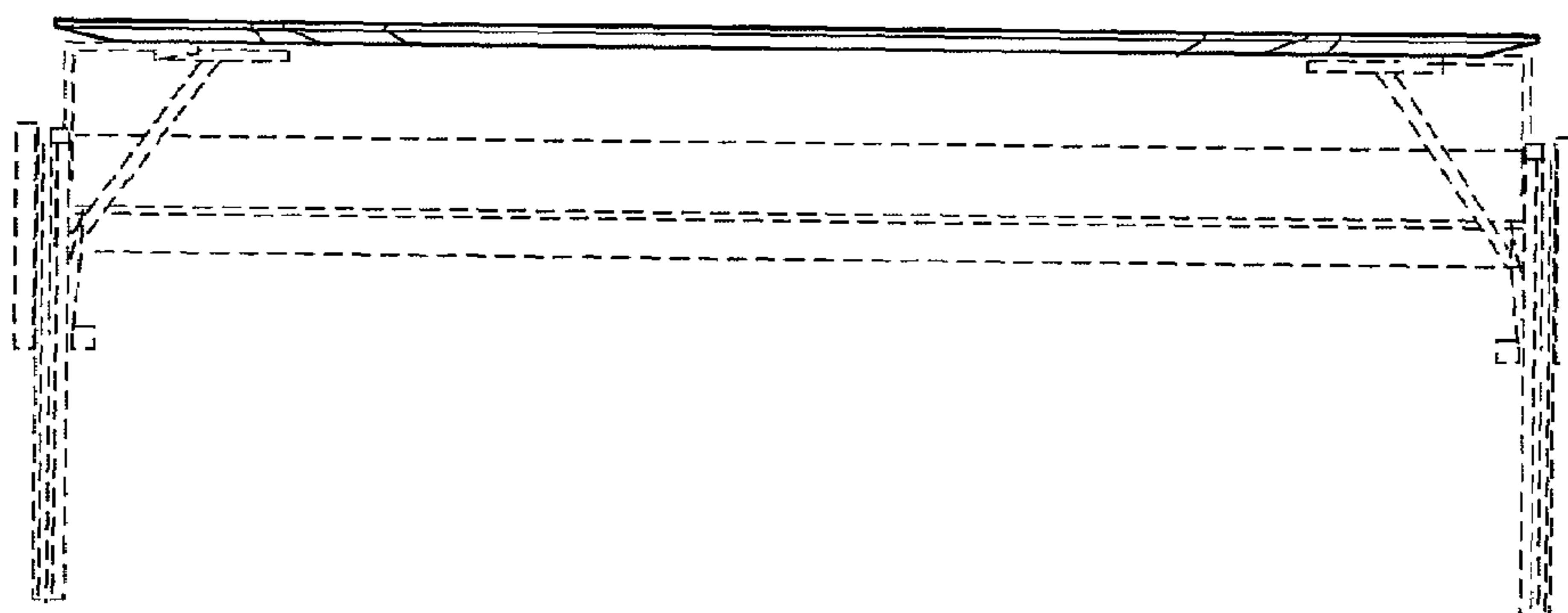


FIG. 15

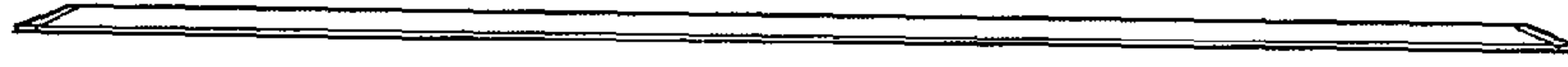


FIG. 20

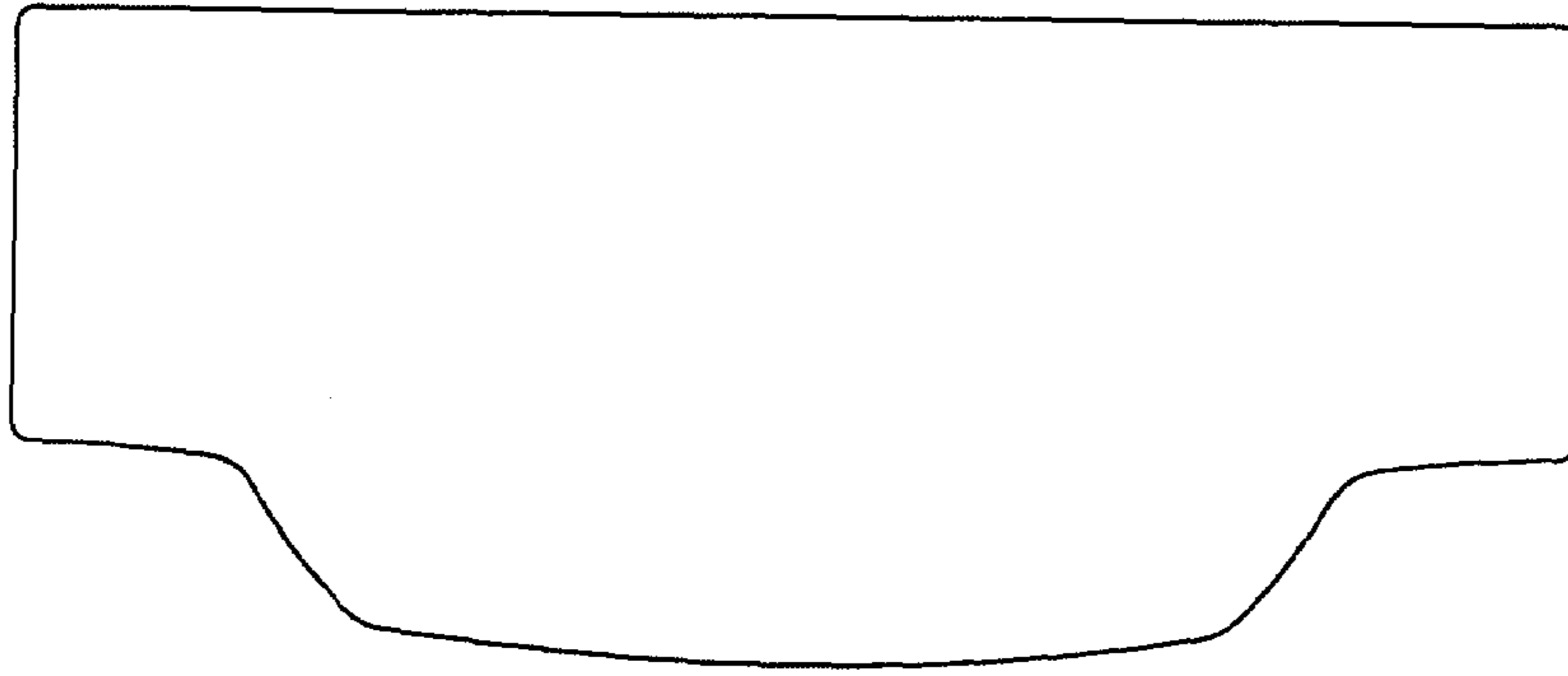


FIG. 18

FIG. 19

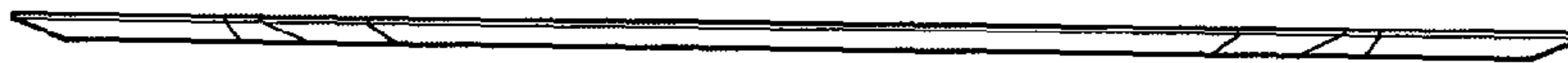


FIG. 17

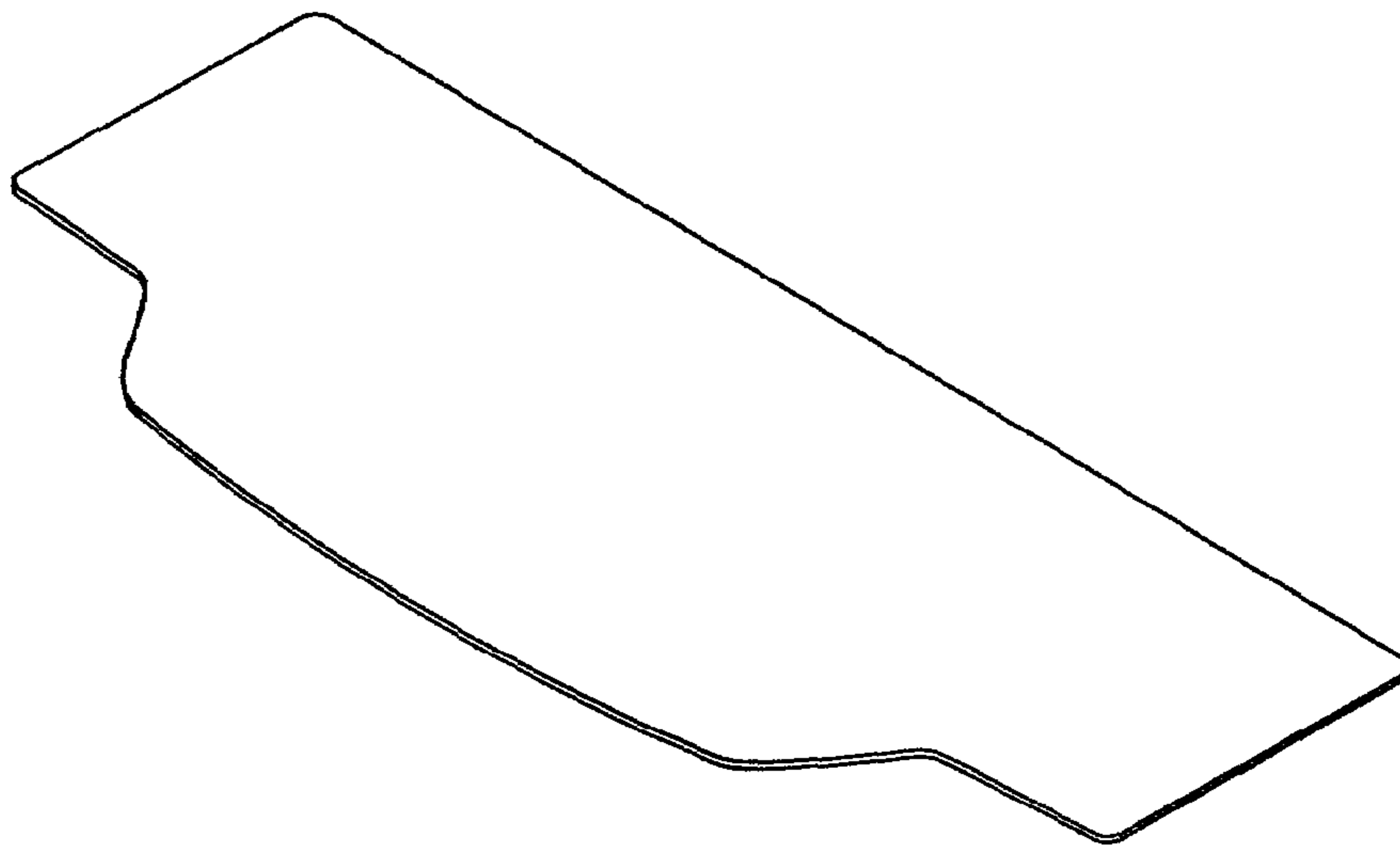


FIG. 16

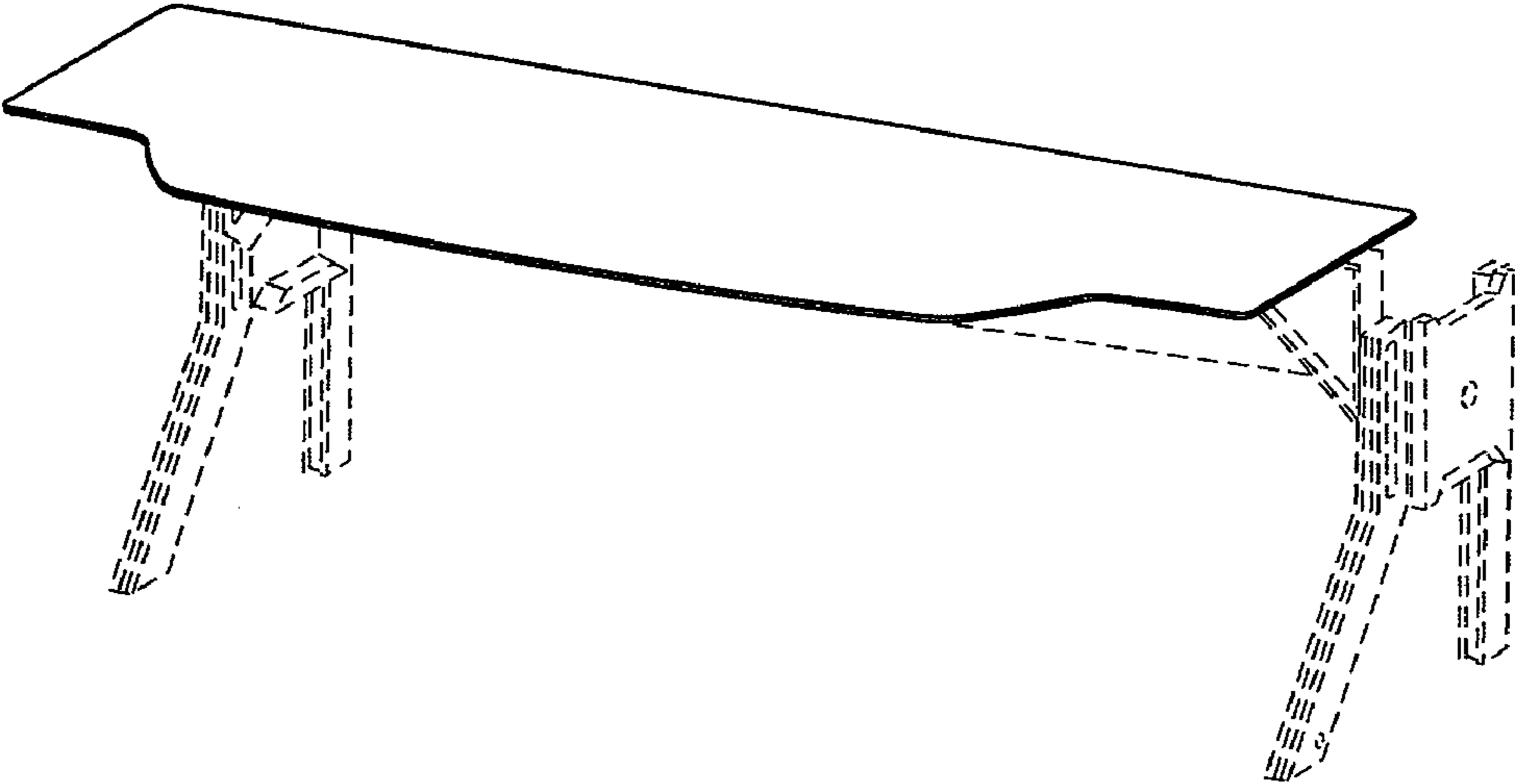


FIG. 21

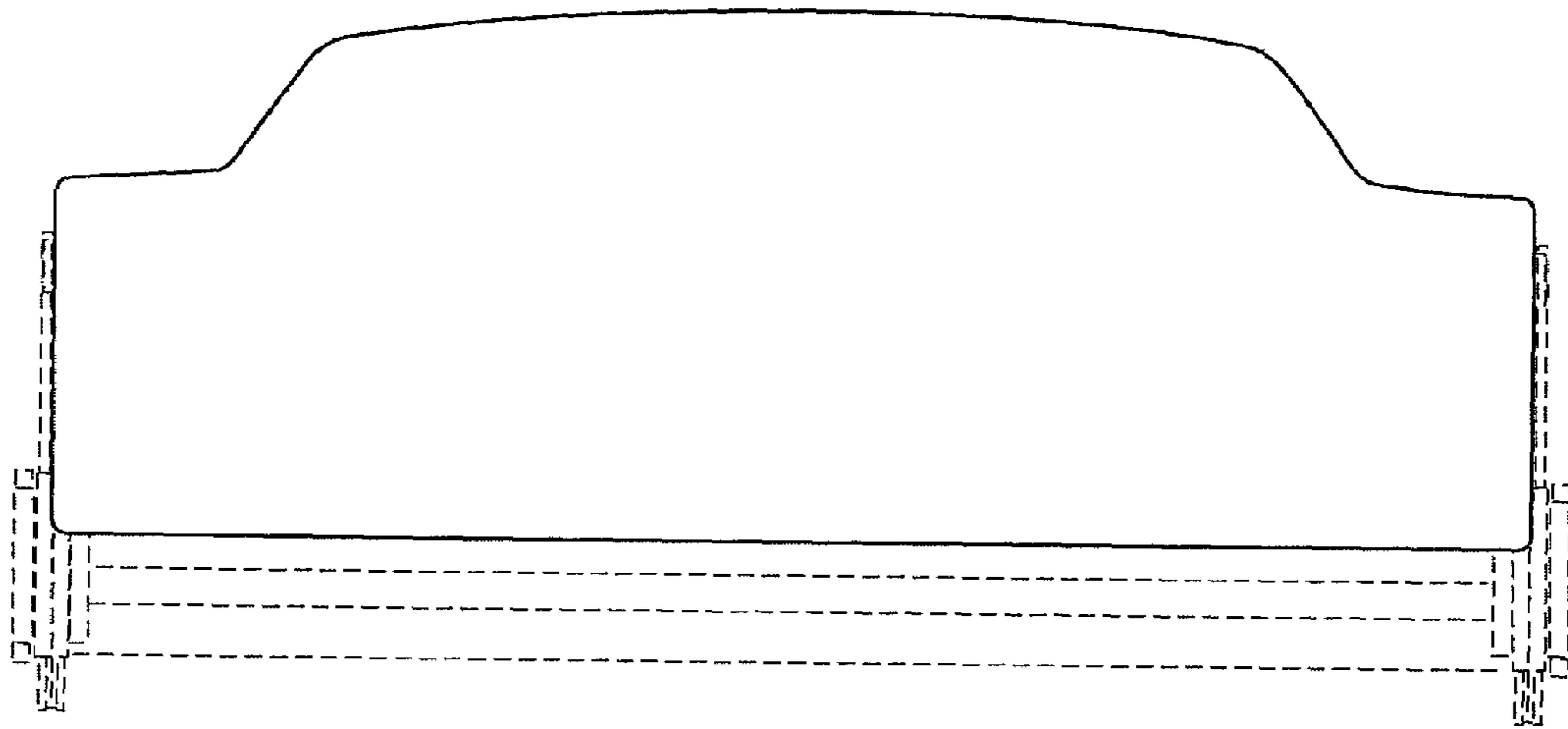


FIG. 22

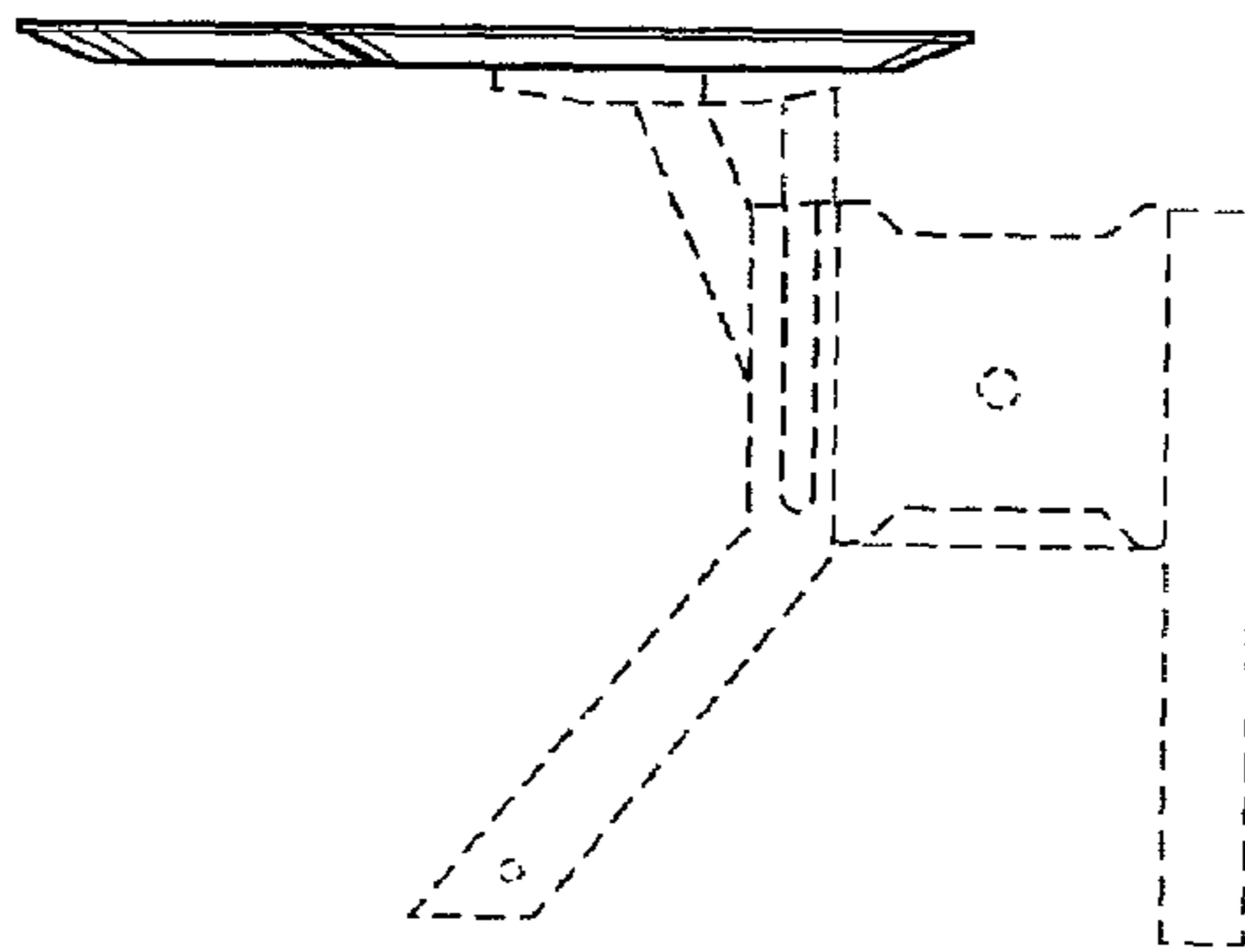


FIG. 23

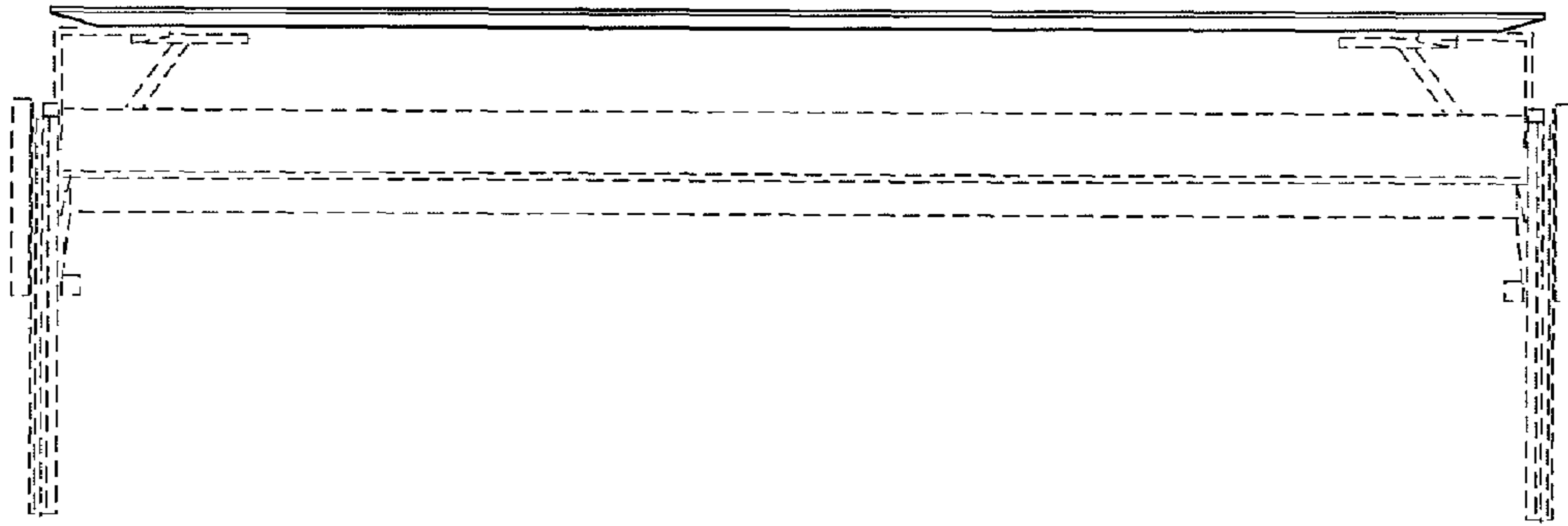


FIG. 24

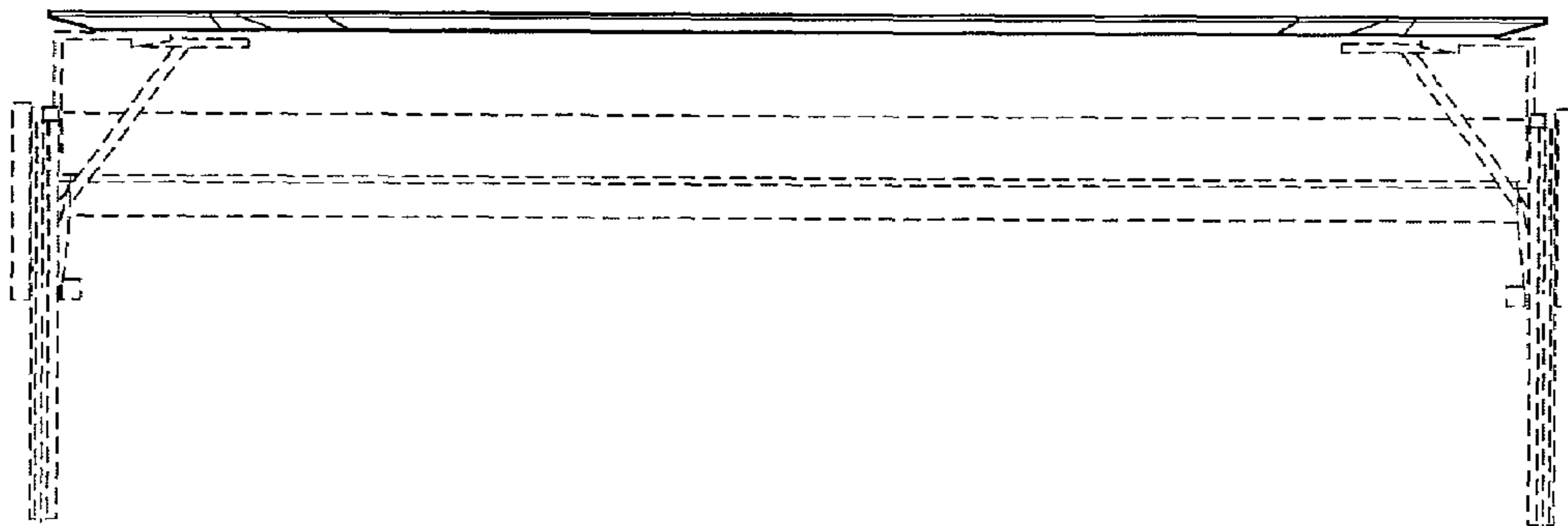


FIG. 25

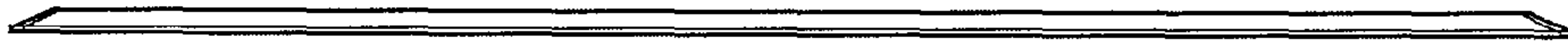


FIG. 30

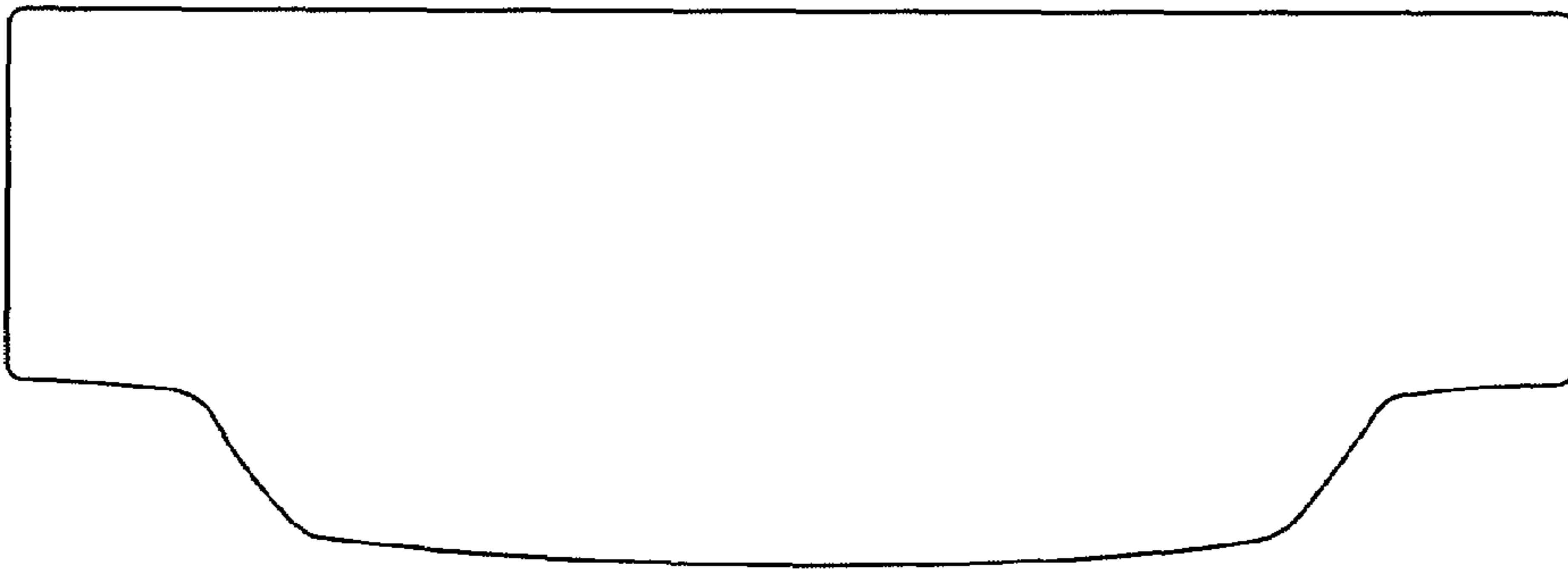


FIG. 28



FIG. 29

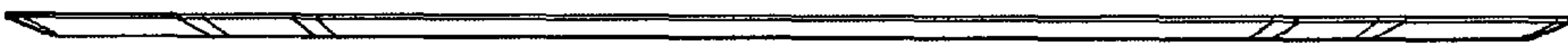


FIG. 27

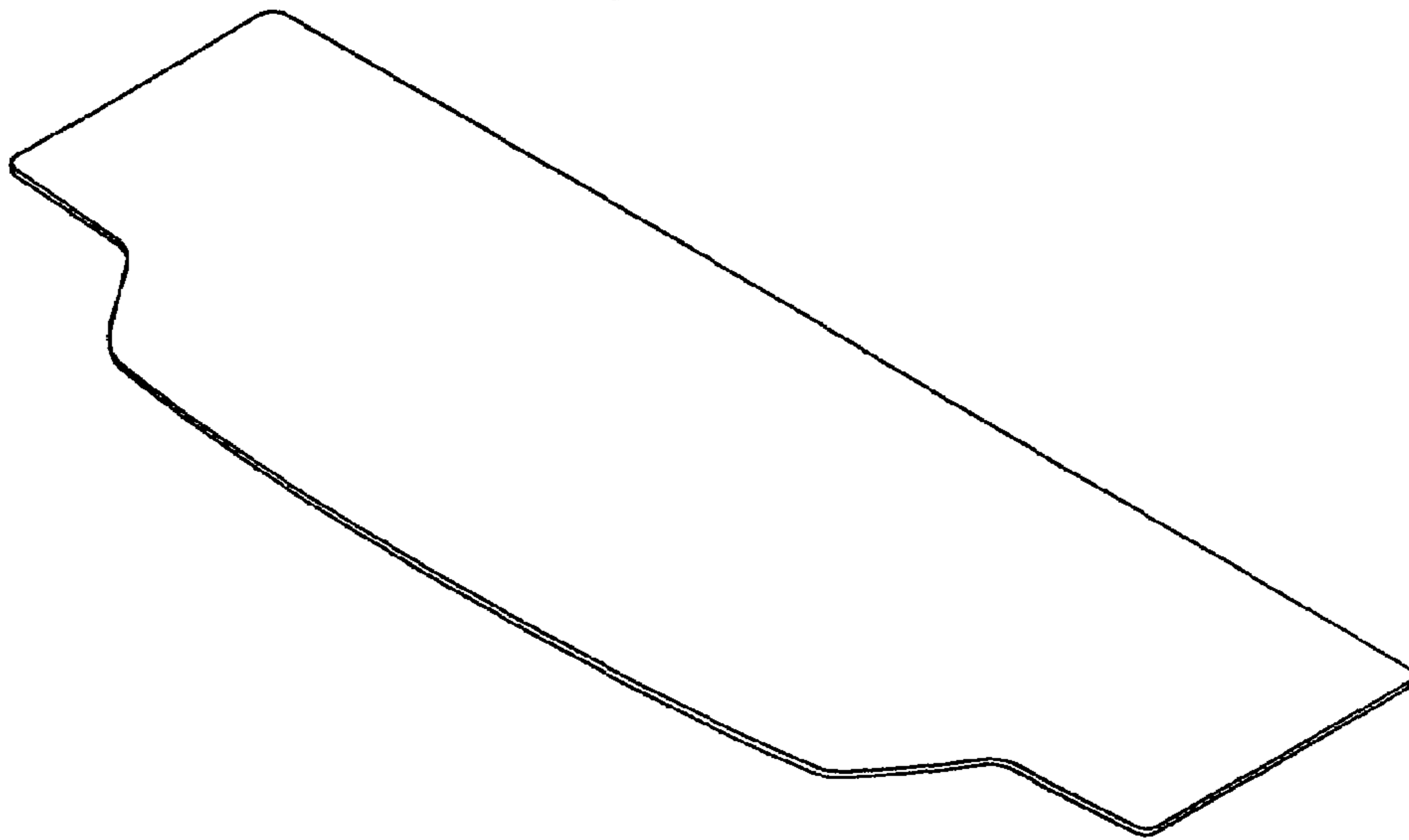


FIG. 26