



US00D571580S

(12) **United States Design Patent**
Prophet

(10) **Patent No.:** **US D571,580 S**
(45) **Date of Patent:** **** Jun. 24, 2008**

(54) **STEEL SPIRAL TABLE/FURNITURE**

D374,575 S * 10/1996 Reese D6/480
D432,821 S * 10/2000 Chun D6/480
D461,070 S * 8/2002 Diaz-Azcuy D6/495

(76) Inventor: **William Prophet**, 11 Lower Marsh,
Waterloo, London (GB) SE1 7RJ

* cited by examiner

(**) Term: **14 Years**

Primary Examiner—Janice E Seeger
(74) *Attorney, Agent, or Firm*—Davis Bujold & Daniels,
P.L.L.C.

(21) Appl. No.: **29/279,137**

(22) Filed: **Apr. 20, 2007**

(57) **CLAIM**

(30) **Foreign Application Priority Data**

Oct. 21, 2006 (GB) 4000237
Feb. 20, 2007 (EM) 000673108

I claim the ornamental design for a steel spiral table/furniture,
as shown and described.

(51) **LOC (8) Cl.** **06-03**

(52) **U.S. Cl.** **D6/480**

(58) **Field of Classification Search** D6/480–489,
D6/495–499, 511, 451; 108/150, 153.1,
108/156, 157.1, 161; 248/188, 188.1, 188.8
See application file for complete search history.

DESCRIPTION

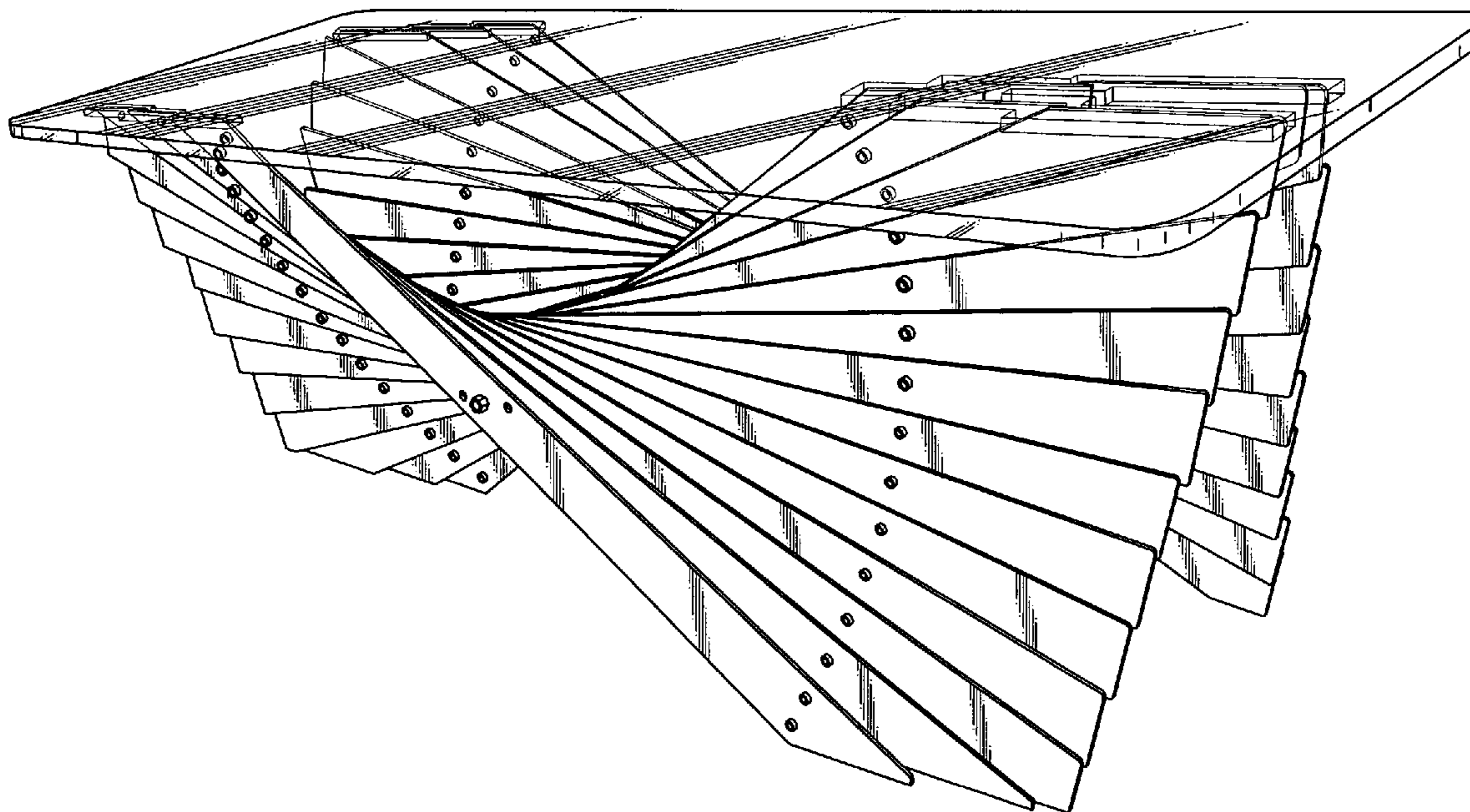
FIG. 1 is a perspective view of a steel spiral table/furniture
embodying my/our new design;
FIG. 2 is a top plan view thereof;
FIG. 3 is a front elevational view thereof;
FIG. 4 is a rear elevational view thereof;
FIG. 5 is a bottom plan view thereof;
FIG. 6 is a left side elevational view thereof; and,
FIG. 7 is a right side elevational view thereof.

(56) **References Cited**

U.S. PATENT DOCUMENTS

3,196,061 A * 7/1965 Paulson et al. 156/296
D347,952 S * 6/1994 Brownfield, Jr. D6/480

1 Claim, 4 Drawing Sheets



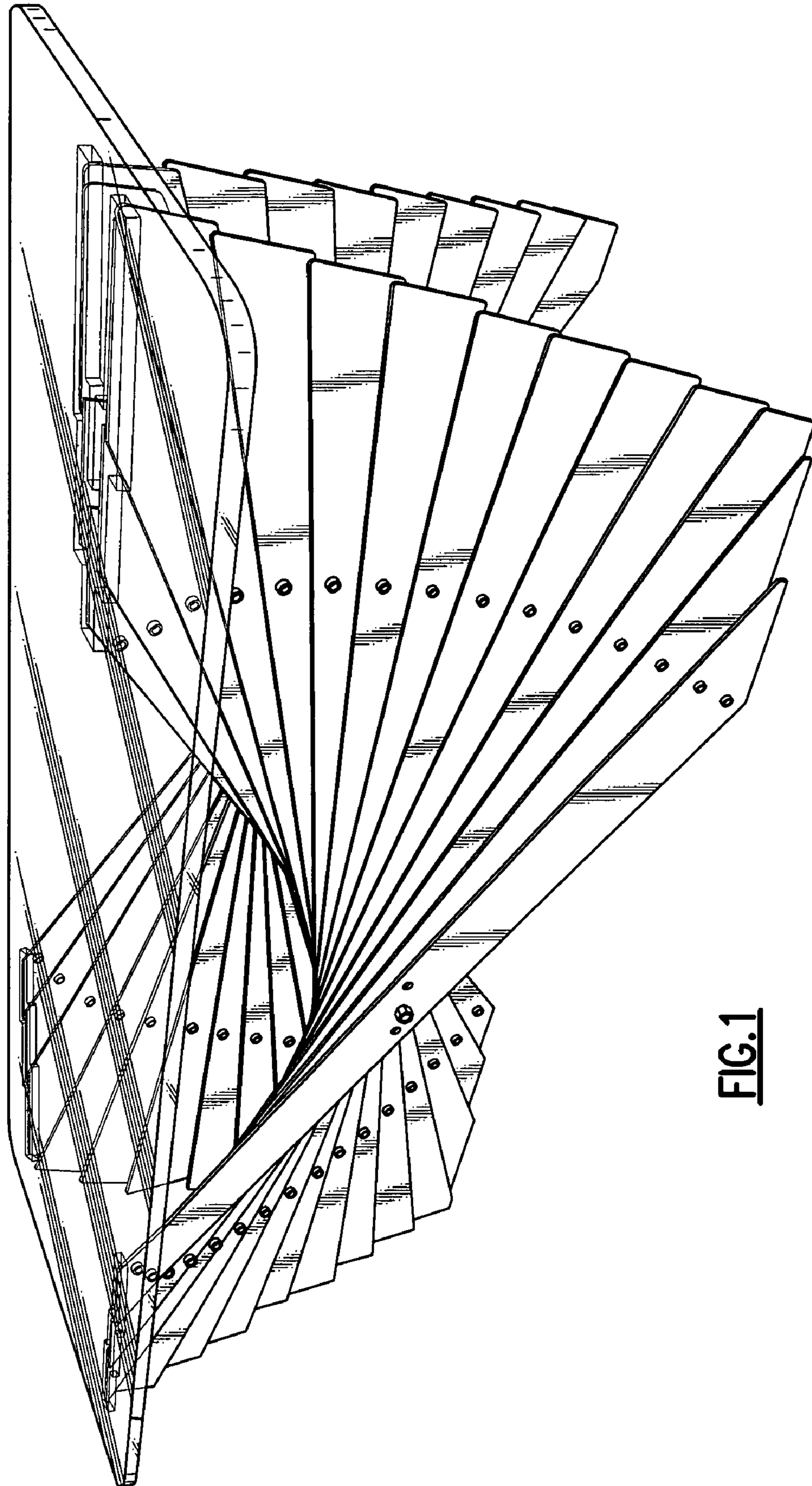


FIG.1

FIG. 2

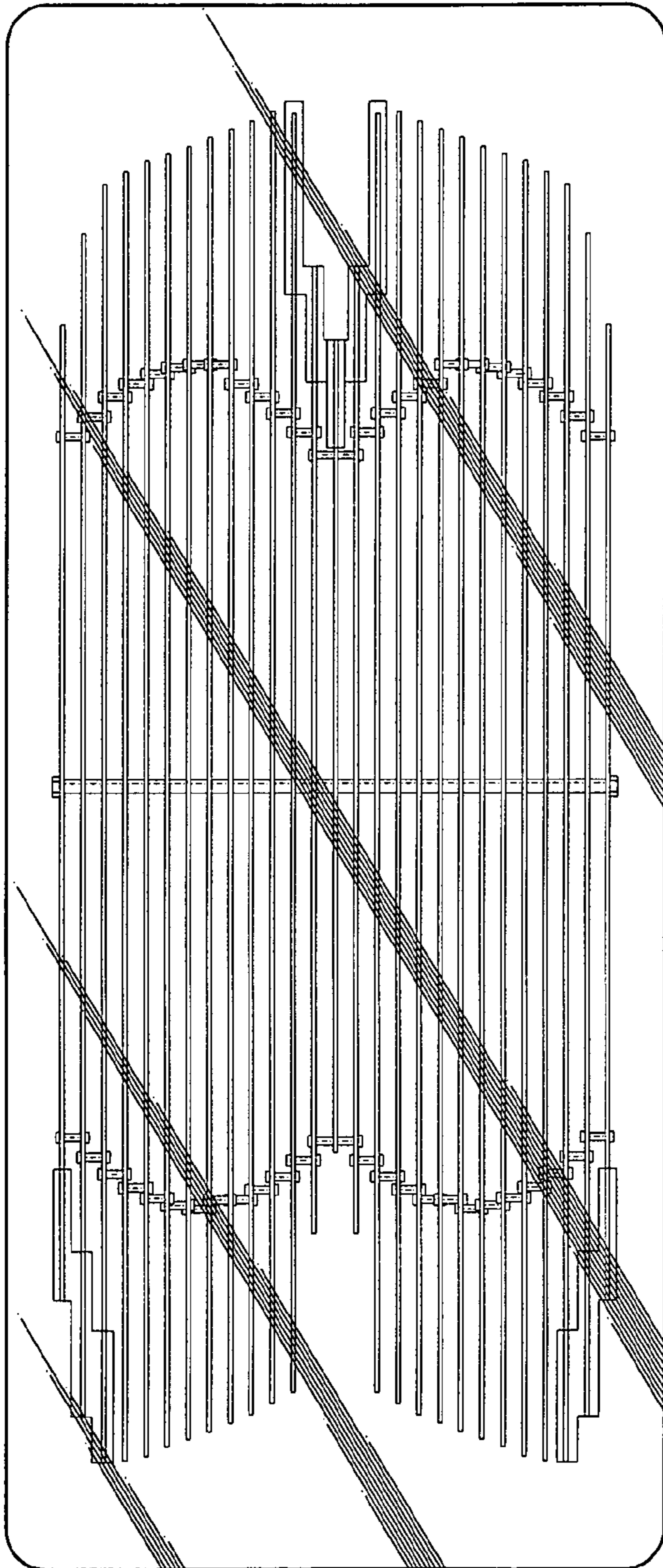


FIG. 3

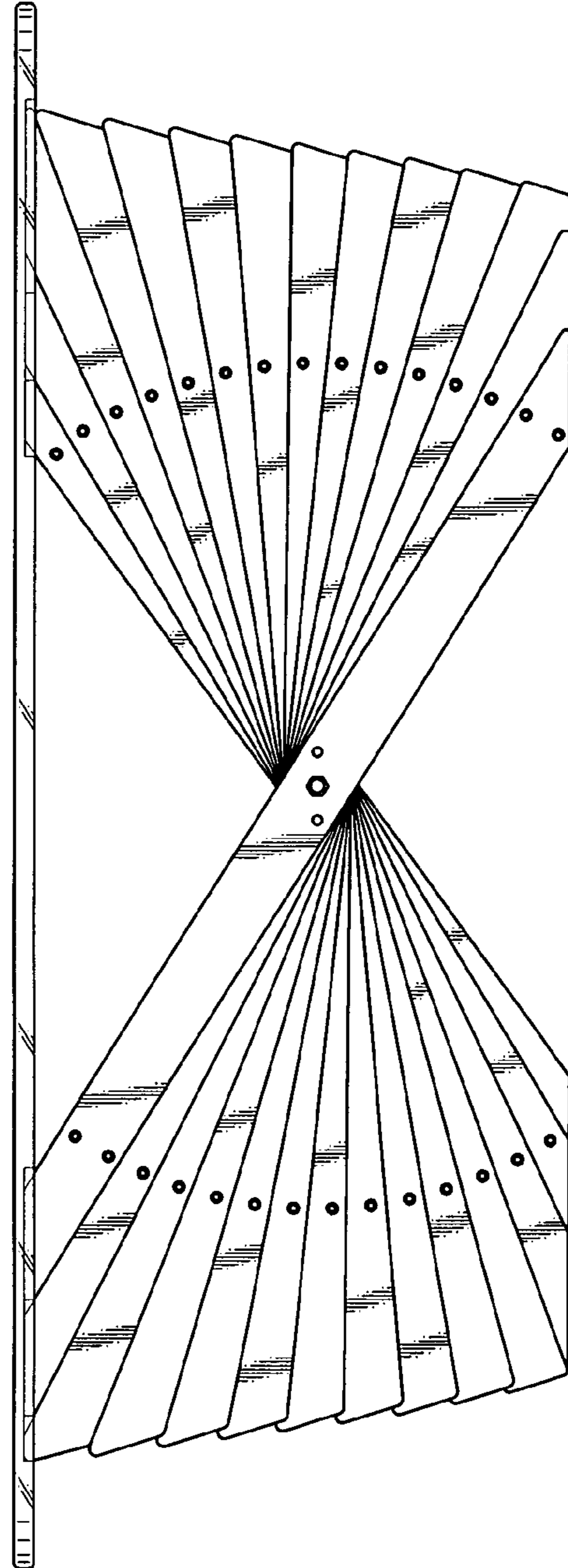


FIG. 4

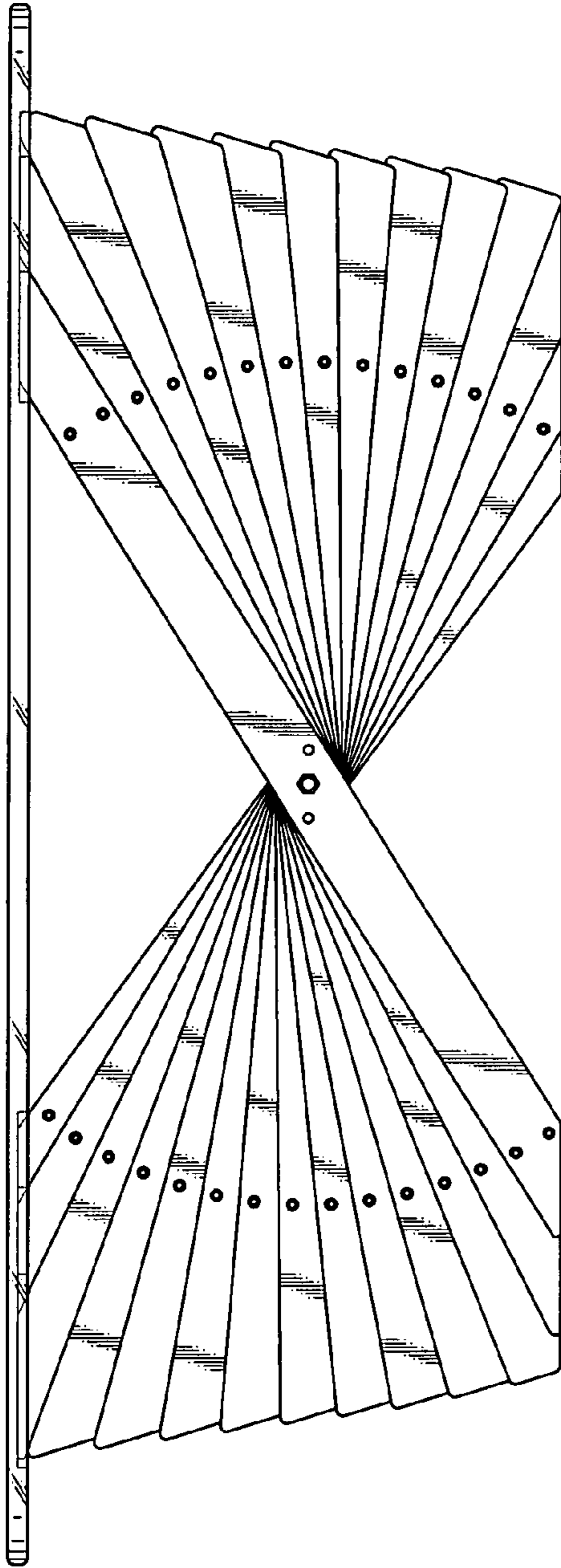
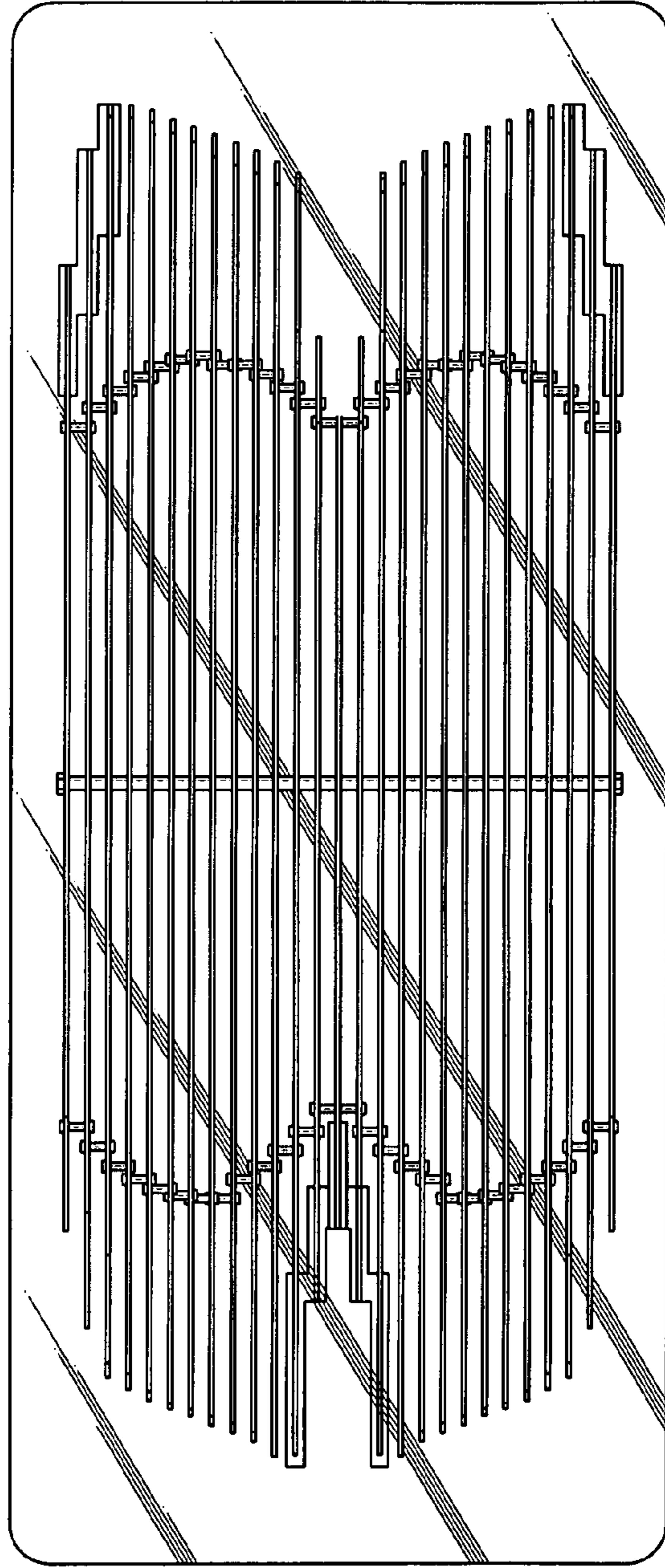


FIG. 5



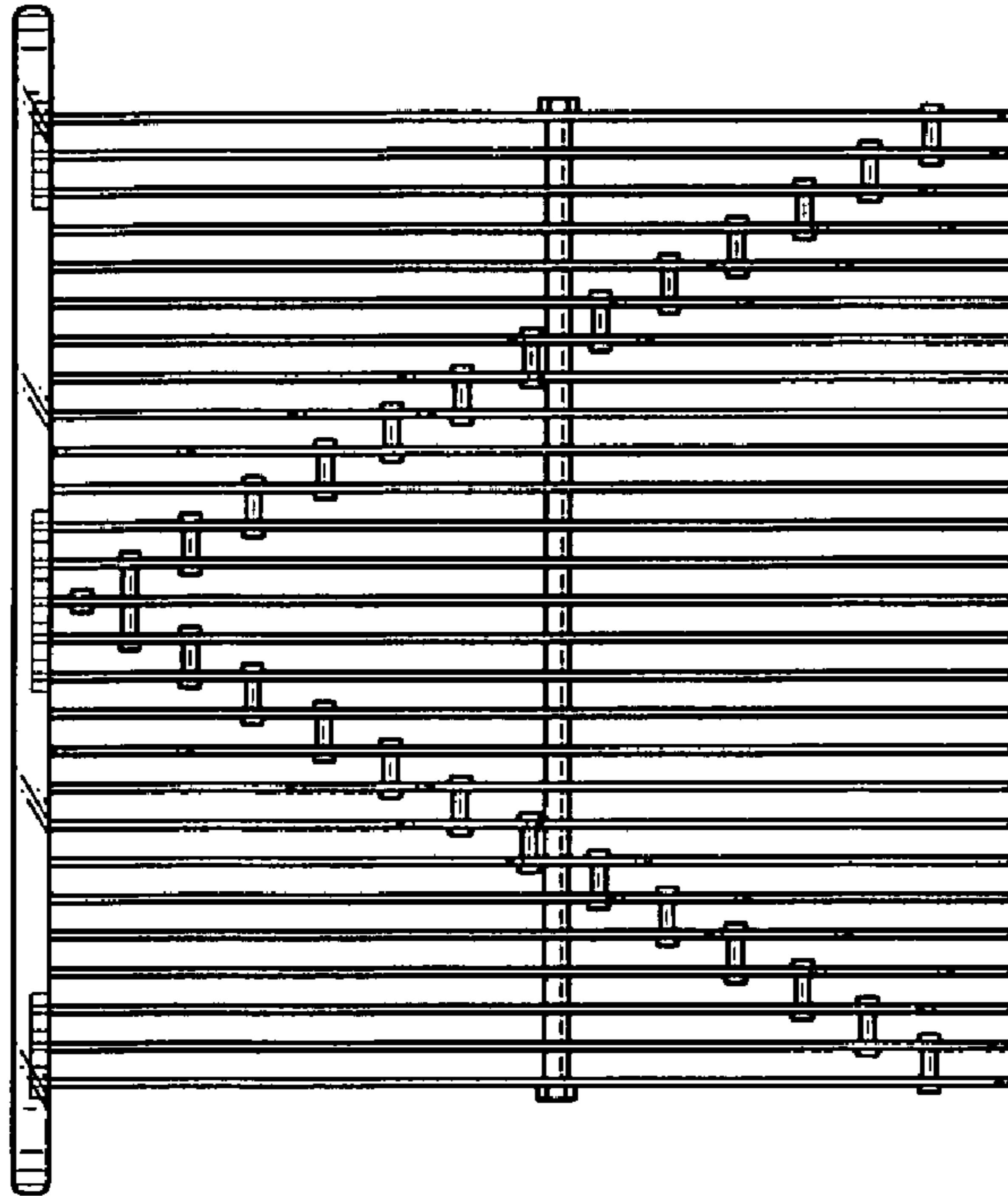


FIG. 7

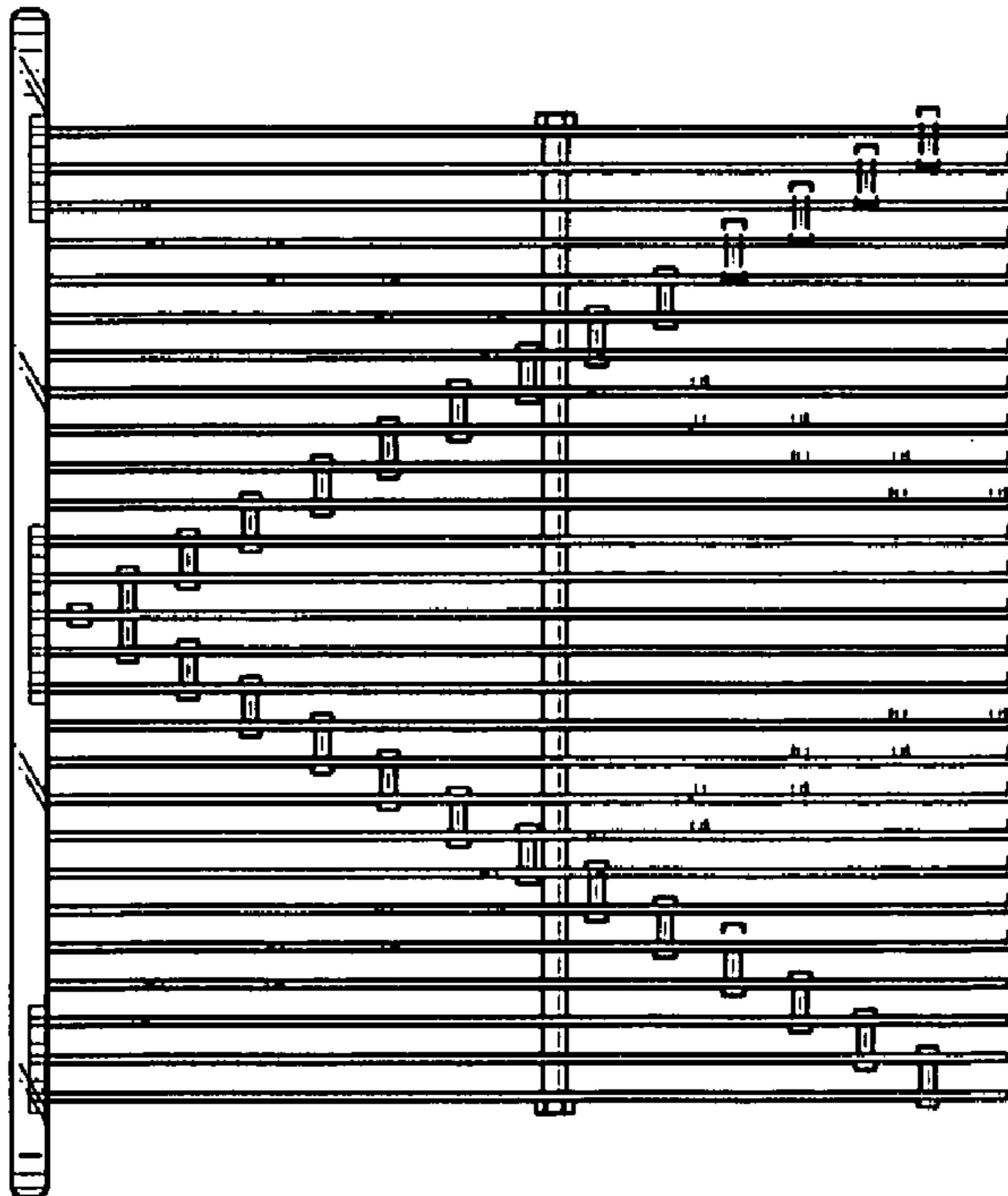


FIG. 6