



US00D571578S

(12) **United States Design Patent**
Ferrari

(10) **Patent No.:** **US D571,578 S**
(45) **Date of Patent:** **** Jun. 24, 2008**

(54) **MATTRESS DISPLAY**

(75) Inventor: **Francesca Ferrari**, Milan (IT)

(73) Assignee: **International Mattresses, Co., S.A. DE C.V.**, Nuevo Leon (MX)

(**) Term: **14 Years**

(21) Appl. No.: **29/256,752**

(22) Filed: **Mar. 24, 2006**

(51) **LOC (8) Cl.** **06-06**

(52) **U.S. Cl.** **D6/466**

(58) **Field of Classification Search** D6/466-467,
D6/449, 396, 411, 418, 310, 409, 553, 567,
D6/569-571; 5/1, 503.1, 658; 211/28, 48;
248/309.1

See application file for complete search history.

(56) **References Cited**

U.S. PATENT DOCUMENTS

1,585,937	A *	5/1926	Paul	211/28
1,716,862	A *	6/1929	McEntire	211/28
D87,604	S *	8/1932	Howard	D6/449
2,076,848	A *	4/1937	Keiver	211/28
2,253,764	A *	8/1941	Condon	211/28

D198,865	S *	8/1964	Borglum	D6/462
3,185,306	A *	5/1965	Delaney	211/28
D220,664	S *	5/1971	Wagoner	D6/409
D278,394	S *	4/1985	Goetz et al.	D6/310
D292,457	S *	10/1987	Hunter	D6/469
D382,133	S *	8/1997	Messina et al.	D6/409
D485,707	S *	1/2004	Alarcon	D6/467

* cited by examiner

Primary Examiner—Caron D. Veynar

Assistant Examiner—Abraham Bahta

(74) *Attorney, Agent, or Firm*—McCormick, Paulding & Huber LLP

(57) **CLAIM**

The ornamental design for a mattress display, as shown and described.

DESCRIPTION

FIG. 1 is a front view of mattress display;

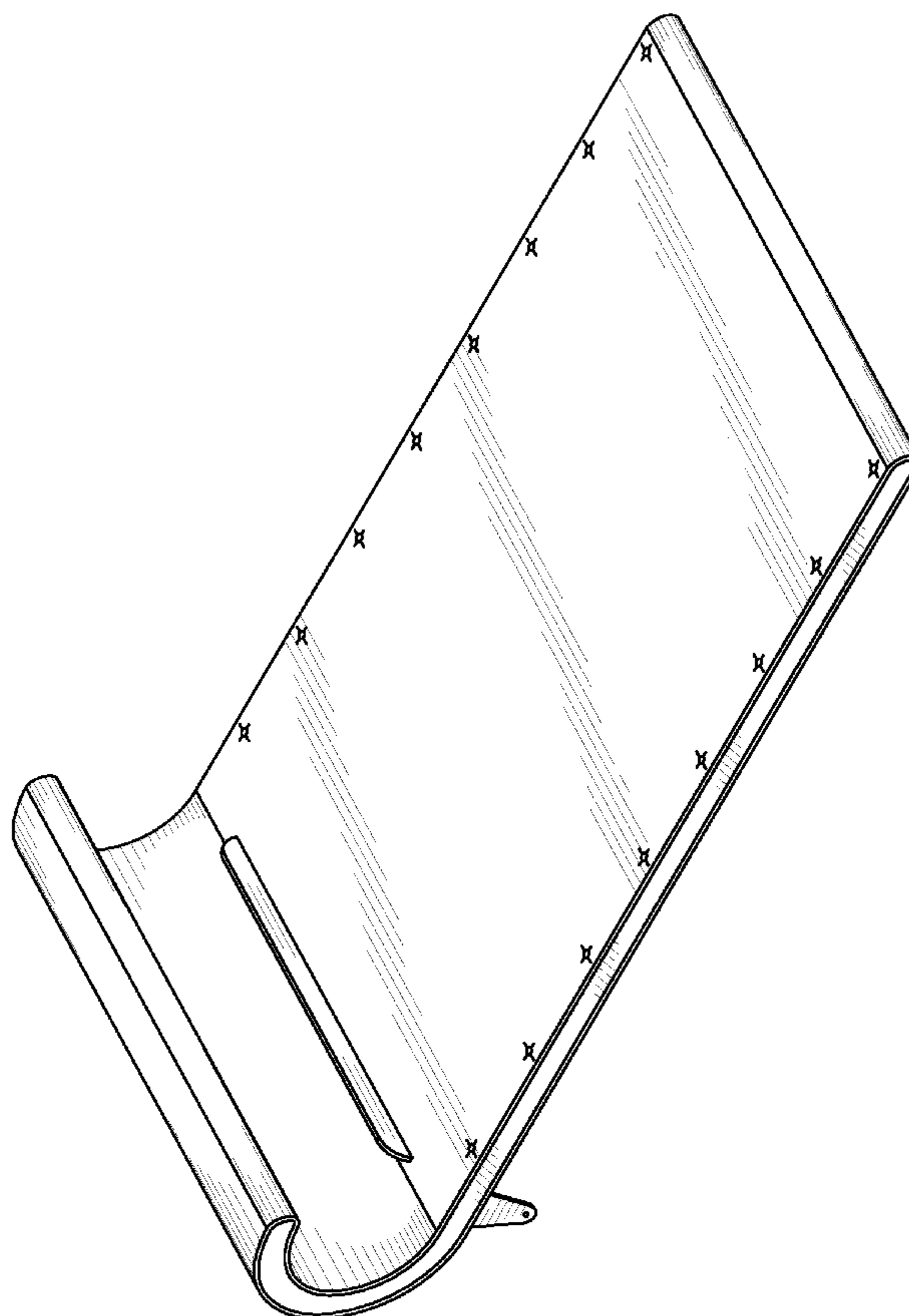
FIG. 2 is a back view thereof;

FIG. 3 is a side view thereof;

FIG. 4 is an upper view thereof; and,

FIG. 5 is a perspective view thereof.

1 Claim, 5 Drawing Sheets



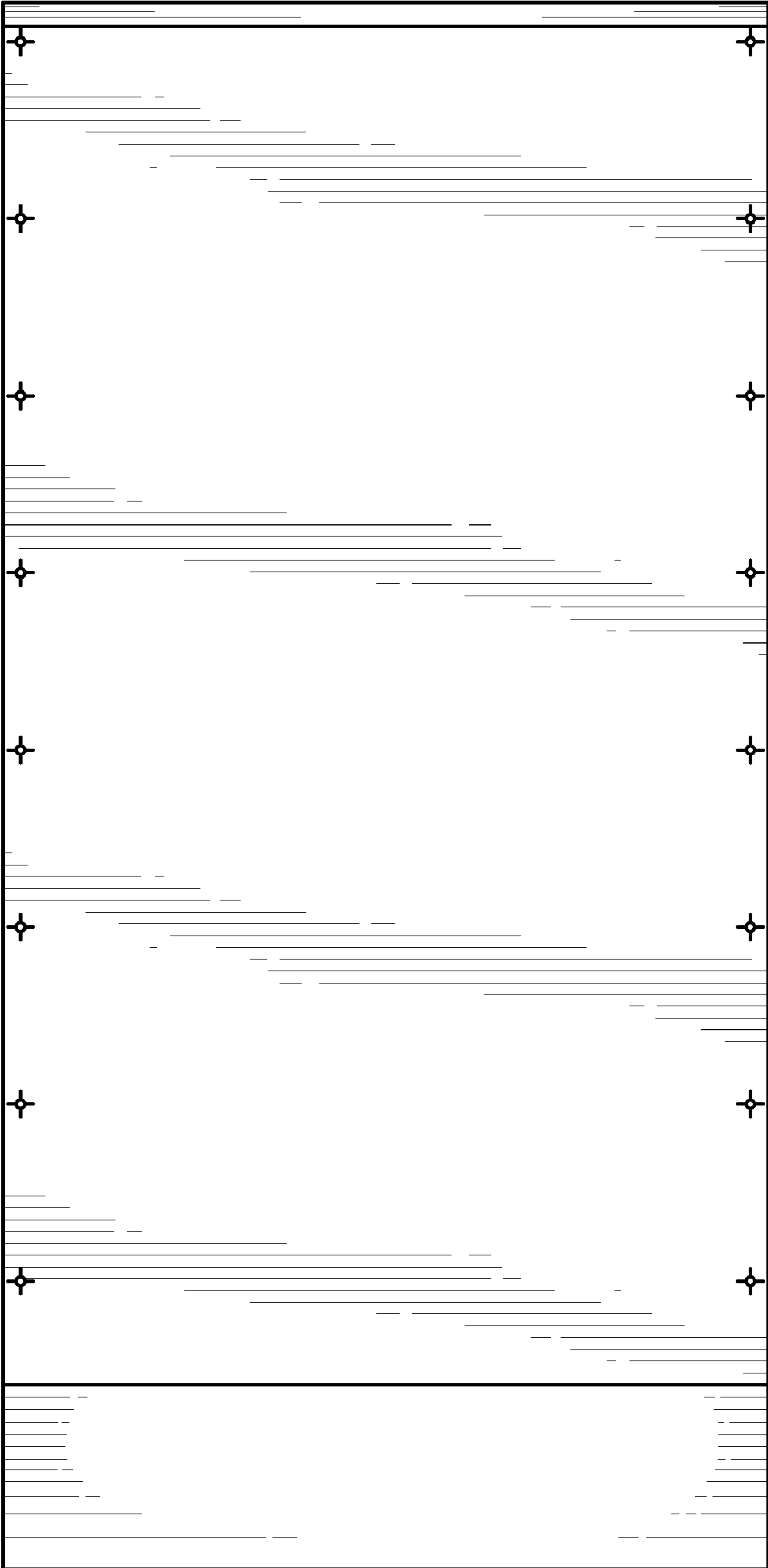


FIG. 1

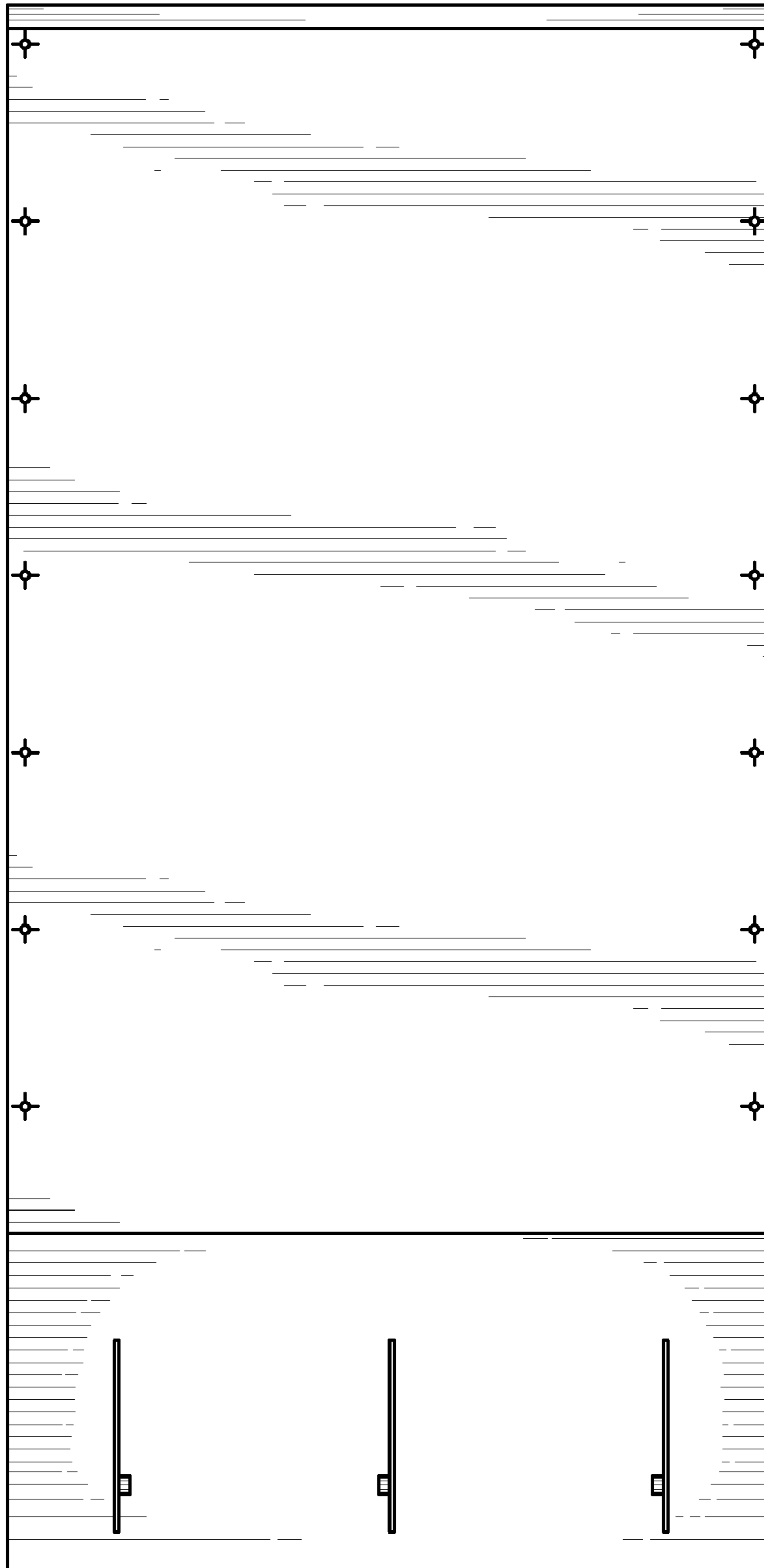


FIG. 2

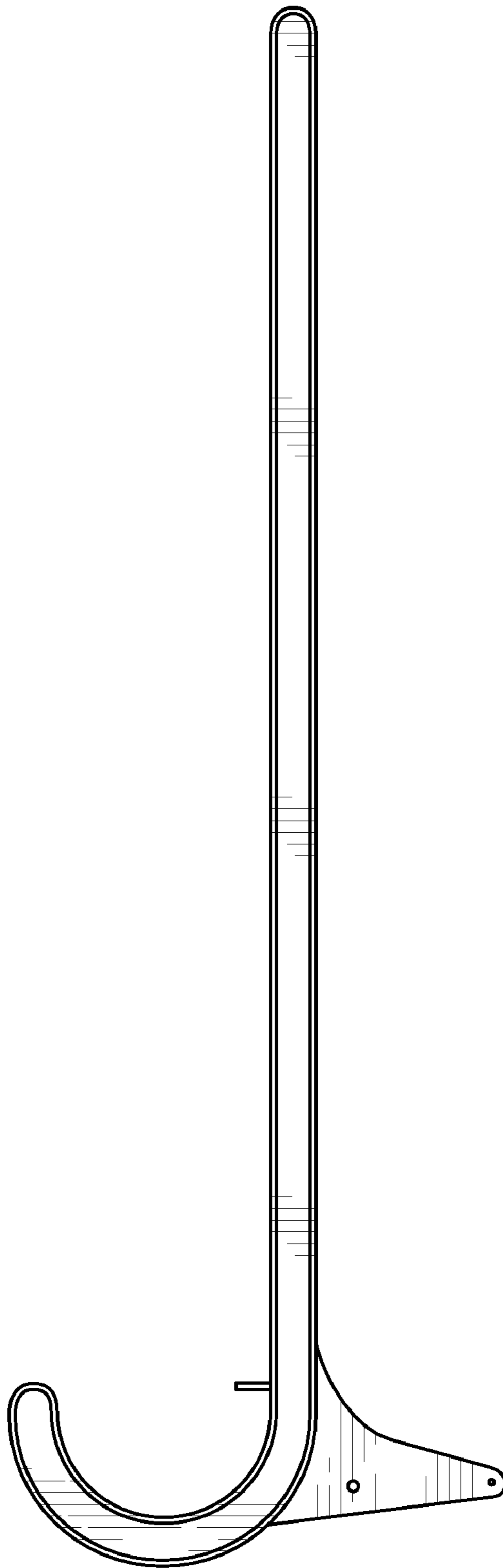


FIG. 3

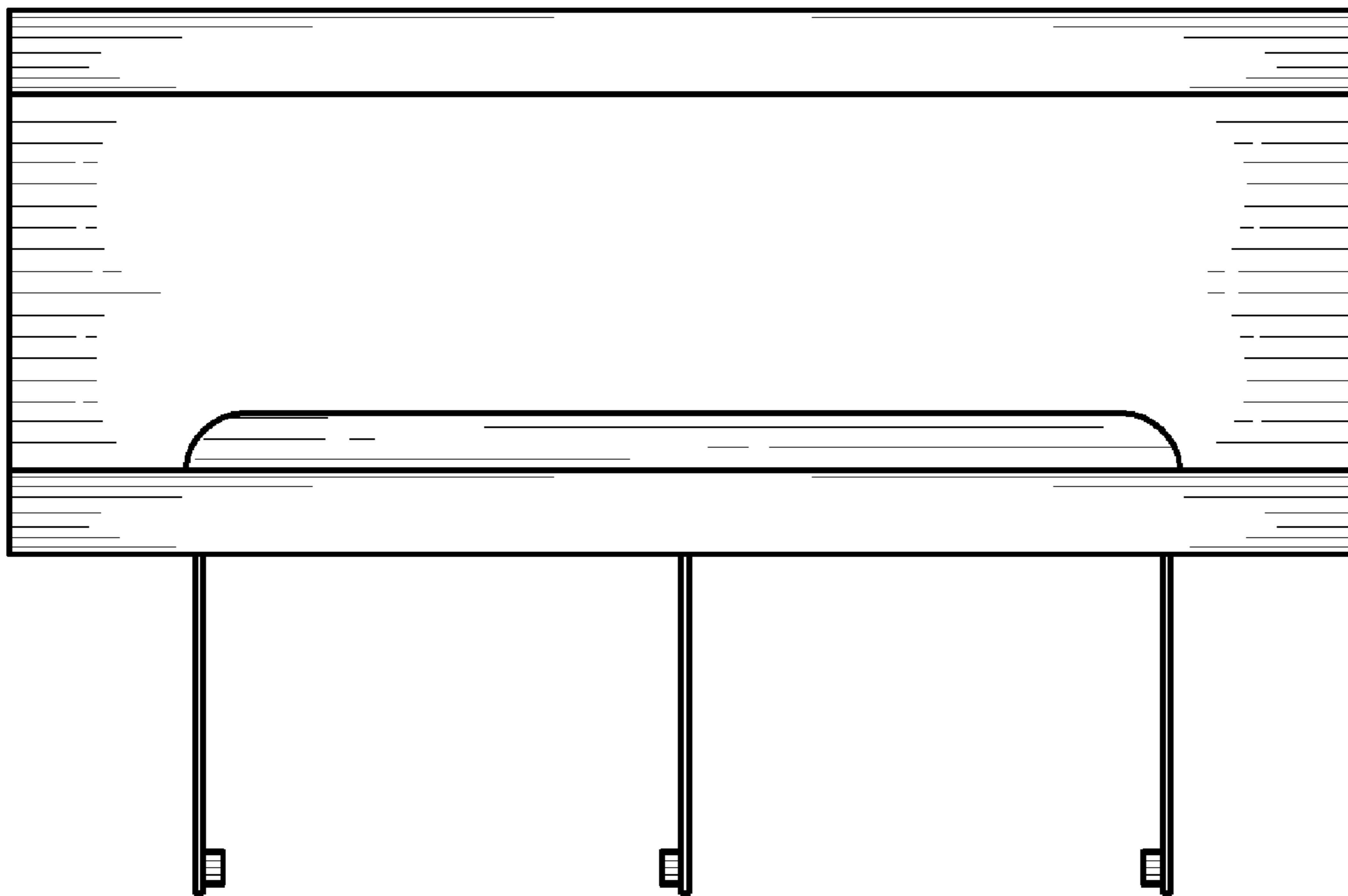


FIG. 4

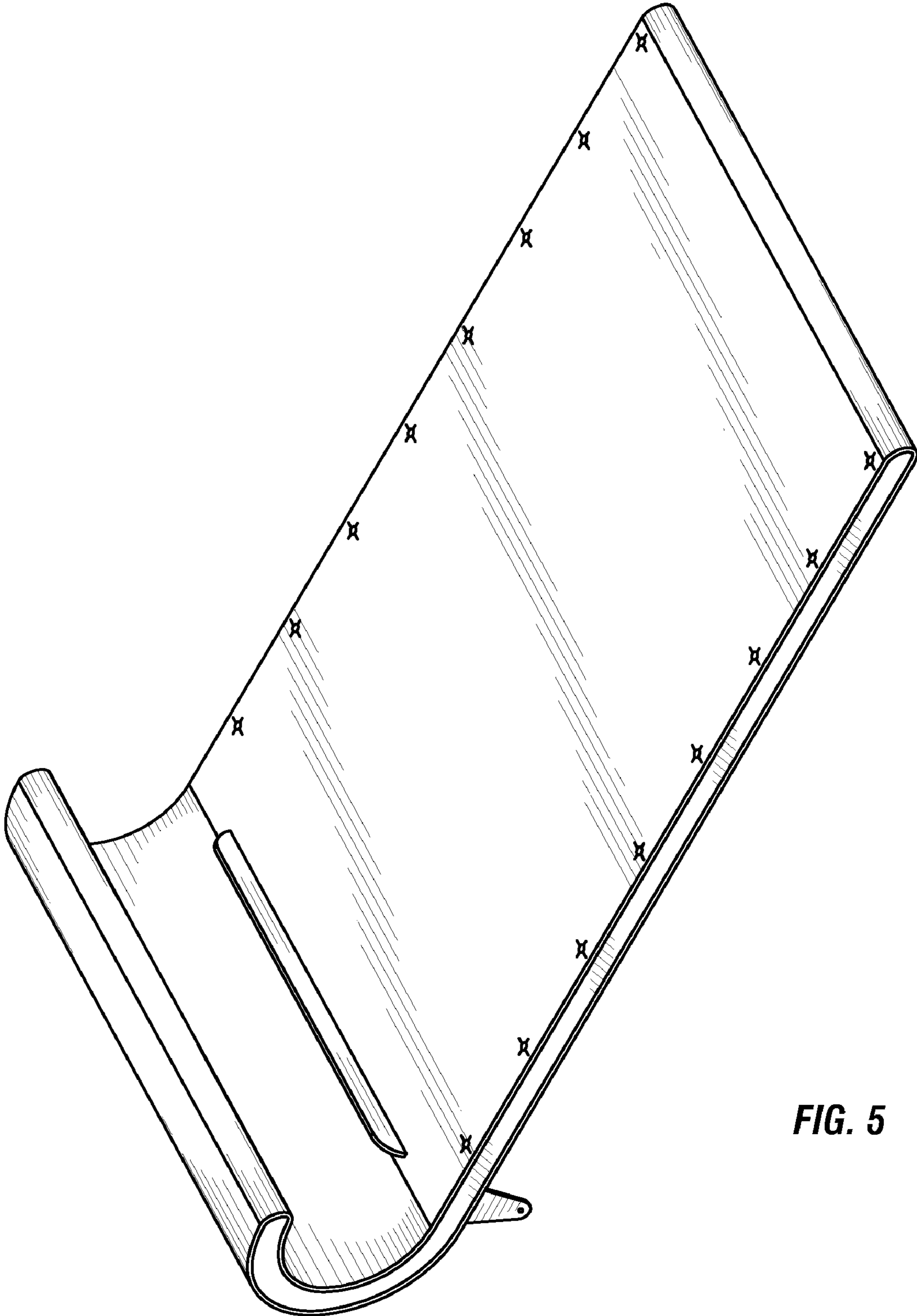


FIG. 5