



US00D571575S

(12) **United States Design Patent**
Hunter

(10) **Patent No.:** **US D571,575 S**

(45) **Date of Patent:** **** Jun. 24, 2008**

(54) **SWIVEL CACTUS TABLE**

(76) **Inventor:** **Lloyd Lee Hunter**, 1459 S. Valeview
Dr., Diamond Bar, CA (US) 91765

(**) **Term:** **14 Years**

(21) **Appl. No.:** **29/277,300**

(22) **Filed:** **Feb. 21, 2007**

(51) **LOC (8) Cl.** **06-03**

(52) **U.S. Cl.** **D6/455; D6/405; D6/460;**
D6/474; D6/486

(58) **Field of Classification Search** **D6/480-489,**
D6/495-499, 429-431, 455, 460, 474, 405;
108/6, 144.11, 146, 147, 147.19, 91, 150,
108/157.14, 153.1, 157.1, 161; 248/188,
248/188.1, 188.7, 188.8

See application file for complete search history.

(56) **References Cited**

U.S. PATENT DOCUMENTS

D45,762 S *	5/1914	Moberg	D6/460
D227,627 S *	7/1973	Stephenson	D6/460
D238,319 S *	1/1976	Stephenson	D6/460
D244,971 S	7/1977	Naumoff et al.		
D247,937 S *	5/1978	Dilyard	D6/405
D250,372 S *	11/1978	Szabo et al.	D6/455
4,528,914 A	7/1985	Montet		
D299,092 S *	12/1988	Leolli	D6/474
5,031,866 A	7/1991	Railescu		
D328,536 S	8/1992	Ma		
D333,745 S	3/1993	Ma		

D348,575 S	7/1994	Dunn		
D353,499 S	12/1994	Schwallenstecker		
D363,625 S	10/1995	Levine		
D366,787 S	2/1996	Konecny		
D371,919 S	7/1996	Konecny		
5,622,118 A *	4/1997	Rowan	108/65
5,996,819 A	12/1999	Klein		
6,237,508 B1	5/2001	Weiss		
6,681,704 B1	1/2004	Brookhiser		
6,840,180 B2	1/2005	Ulmer		
6,971,613 B2	12/2005	Shendelman		
7,144,610 B1	12/2006	Estes et al.		
2005/0247836 A1	11/2005	Park		
2007/0006781 A1	1/2007	Xiang		

* cited by examiner

Primary Examiner—Janice E. Seeger
(74) *Attorney, Agent, or Firm*—Jafari Law Group; David V. Jafari

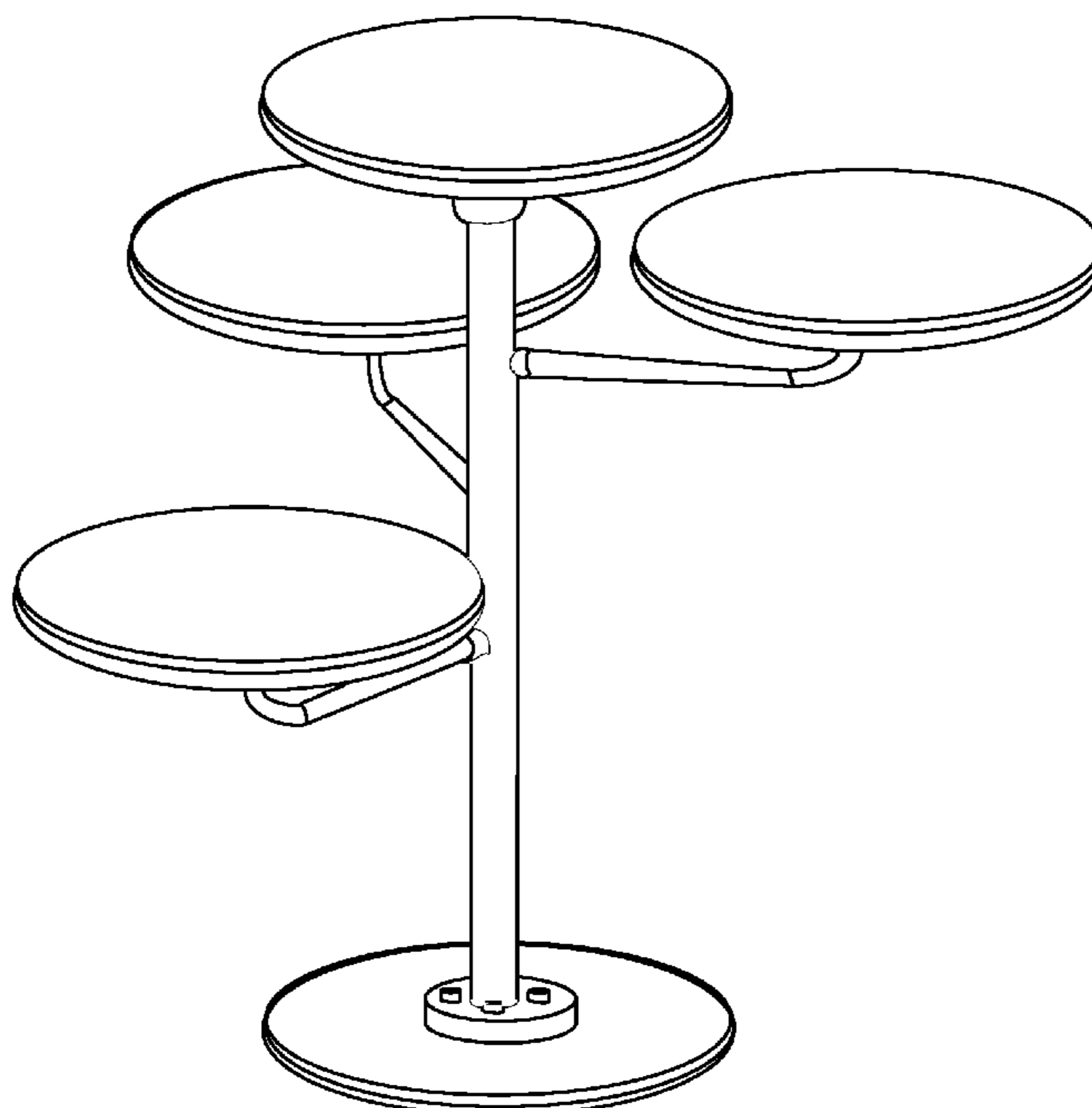
(57) **CLAIM**

The ornamental design for a swivel cactus table, as shown and described.

DESCRIPTION

FIG. 1 is a front perspective, fully assembled view of a swivel cactus table showing my new design;
FIG. 2 is a front elevation, exploded view thereof;
FIG. 3 is a top view thereof; and,
FIG. 4 is a side view thereof.

1 Claim, 4 Drawing Sheets



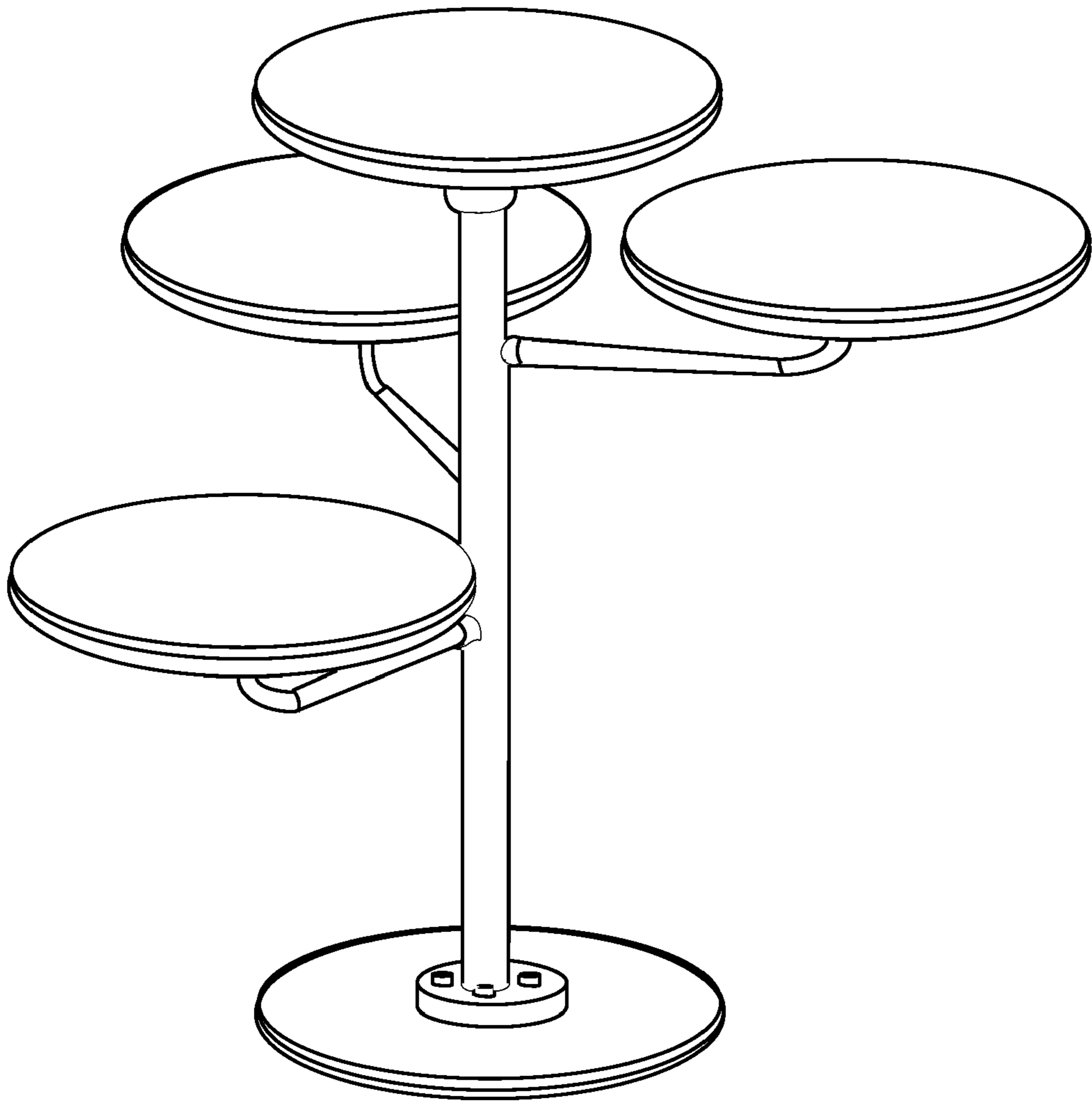


FIG. 1

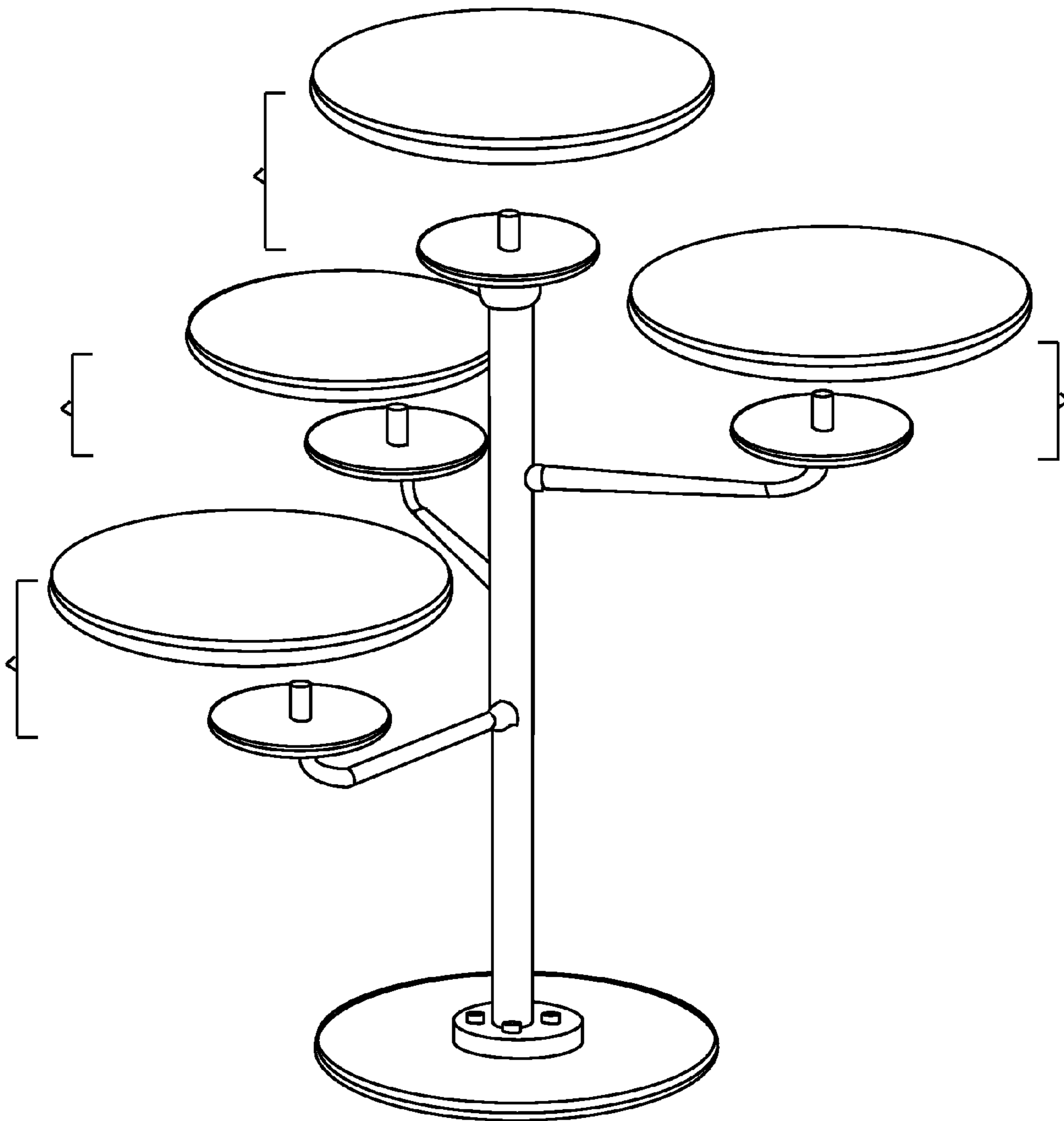


FIG. 2

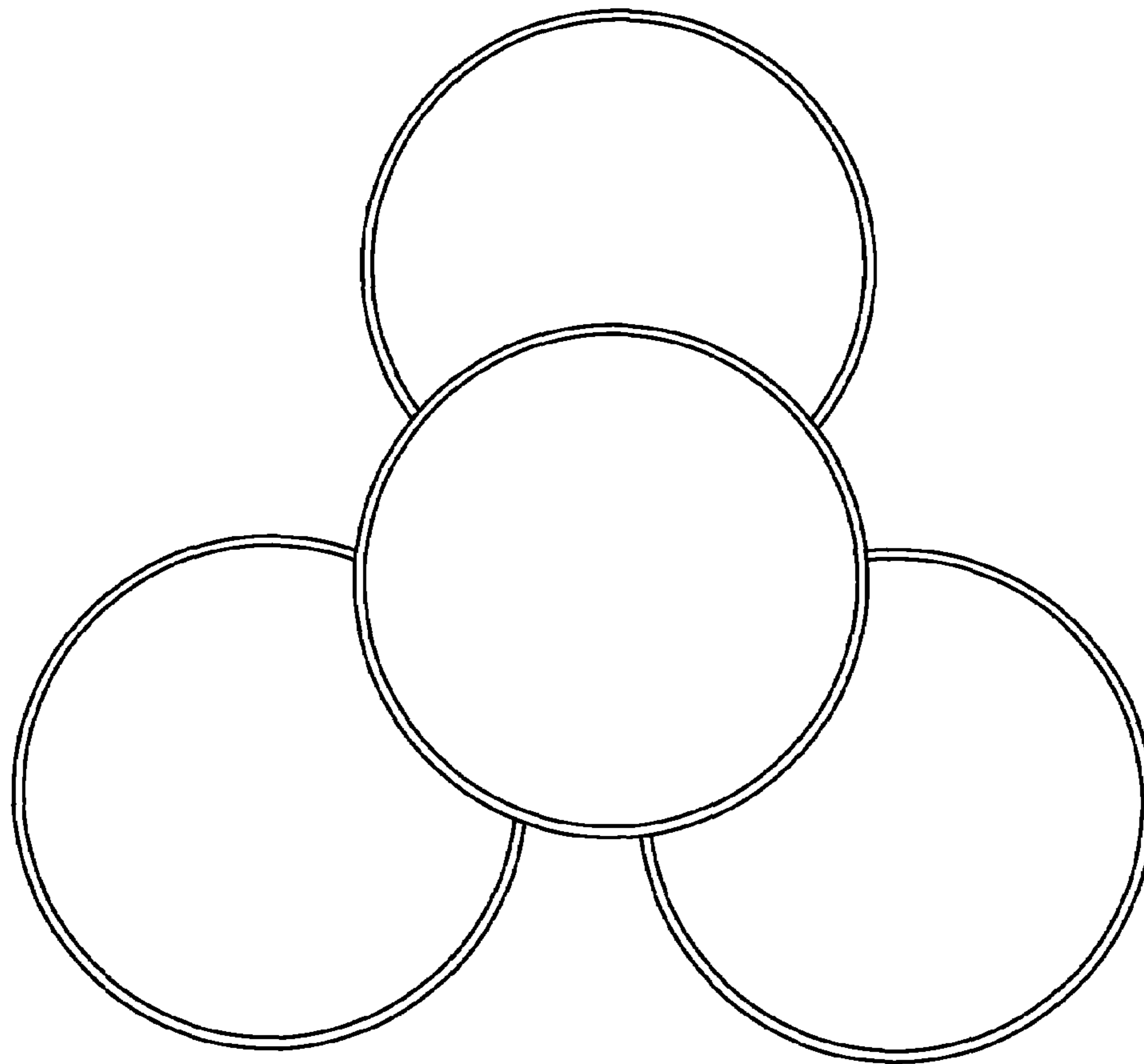


FIG. 3

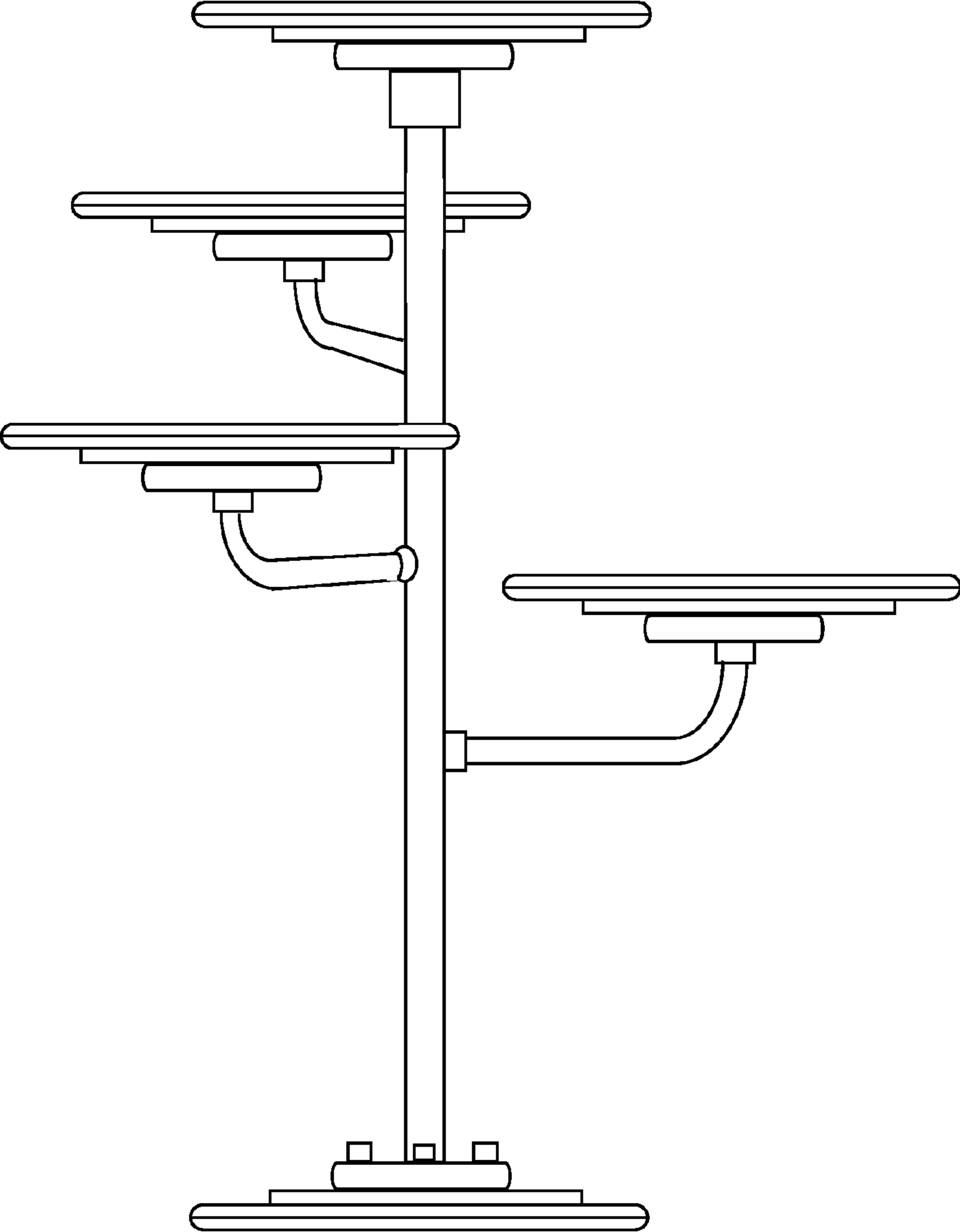


FIG. 4