



US00D571572S

(12) **United States Design Patent**
Tseng

(10) **Patent No.:** **US D571,572 S**
(45) **Date of Patent:** **** Jun. 24, 2008**

(54) **CHAIR**

(76) Inventor: **Chun-Hsien Tseng**, No. 3,
Ting-Hsi-Hsin, Lu-Man Tsun, Chu-Chi
Hsiang, Chiayi Hsien (TW)

(**) Term: **14 Years**

(21) Appl. No.: **29/298,195**

(22) Filed: **Nov. 30, 2007**

(51) **LOC (8) Cl.** **06-01**

(52) **U.S. Cl.** **D6/372**

(58) **Field of Classification Search** D6/334-336,
D6/348, 358, 386-388, 371-373, 374-376,
D6/499, 500-502; 297/440.11, 448.1, 448.2,
297/452.12, 452.13, 452.14, 451.7
See application file for complete search history.

(56) **References Cited**

U.S. PATENT DOCUMENTS

D183,455 S * 9/1958 Gould D6/374
D183,743 S * 10/1958 Howell, Jr. D6/334
D191,786 S * 11/1961 Kaltsas D6/368
3,069,204 A * 12/1962 Vesterholt et al. 297/452.14
D210,072 S * 2/1968 Kjer D6/373
3,656,808 A * 4/1972 Chang 297/451.4

D244,643 S * 6/1977 Deaton et al. D6/372
D261,831 S * 11/1981 Luckey D6/374
D270,502 S * 9/1983 Coronado D6/334
D461,326 S * 8/2002 Bouroullec et al. D6/368
D475,860 S * 6/2003 Yang D6/367
D499,258 S * 12/2004 Tseng D6/368
D528,317 S * 9/2006 Tseng D6/368

* cited by examiner

Primary Examiner—Mimosa De

(74) *Attorney, Agent, or Firm*—Marger Johnson &
McCollom, PC

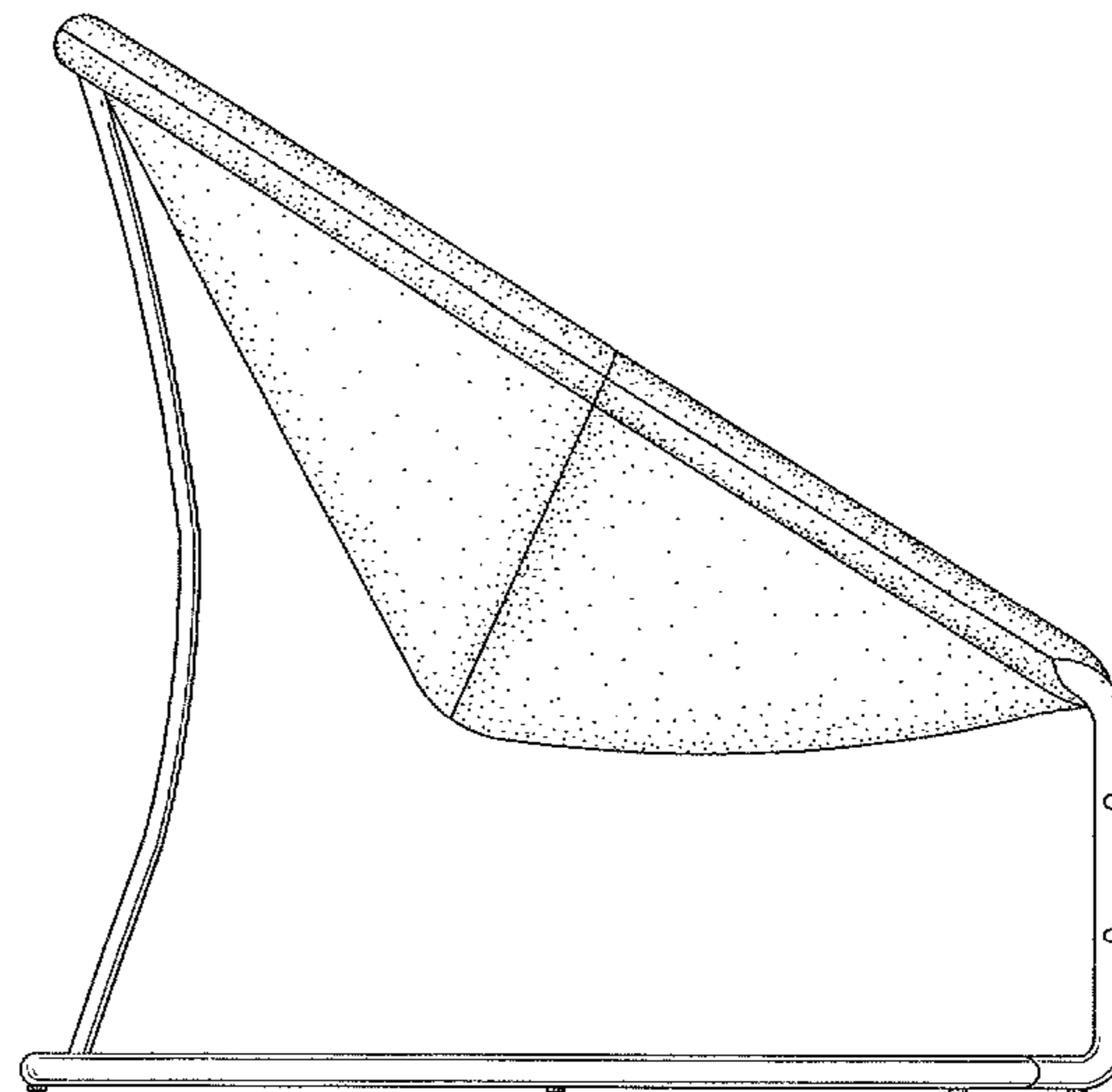
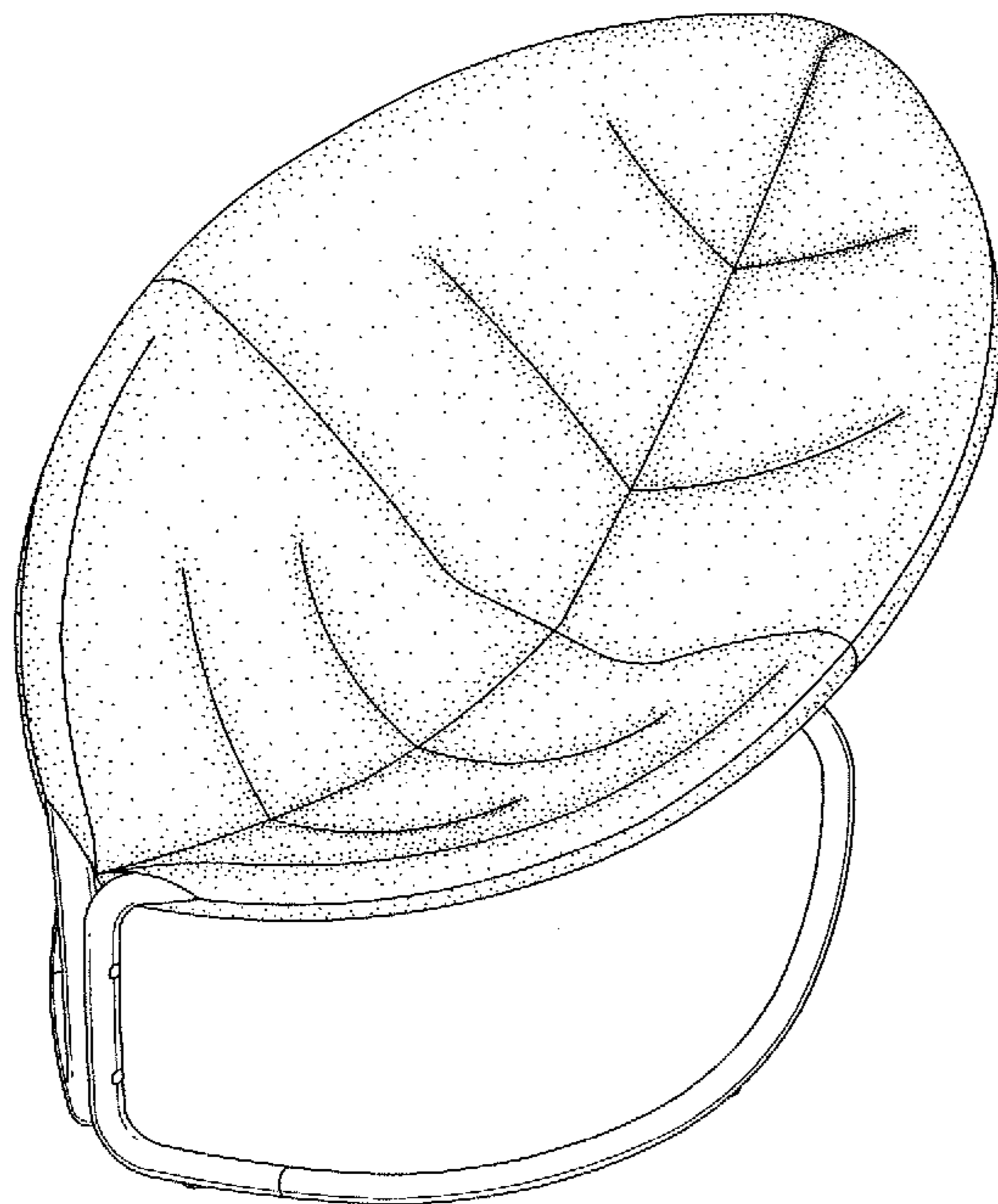
(57) **CLAIM**

The ornamental design for chair, as shown and described.

DESCRIPTION

FIG. 1 is a perspective view of chair showing my new design;
FIG. 2 is a front elevational view thereof;
FIG. 3 is a rear elevational view thereof;
FIG. 4 is a left side elevational view thereof;
FIG. 5 is a right side elevational view thereof;
FIG. 6 is a top plan view thereof; and,
FIG. 7 is a bottom plan view thereof.

1 Claim, 4 Drawing Sheets



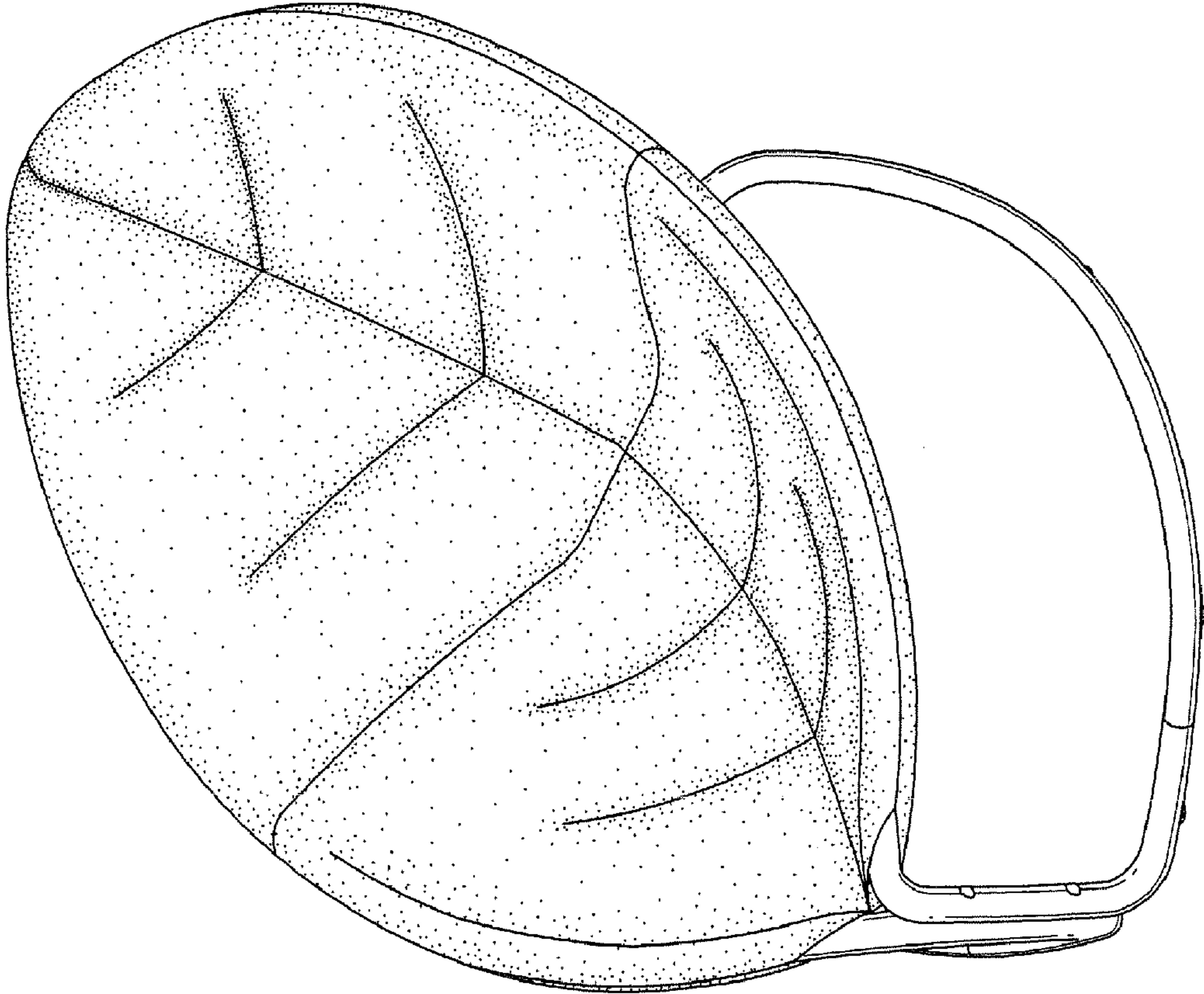


FIG. 1

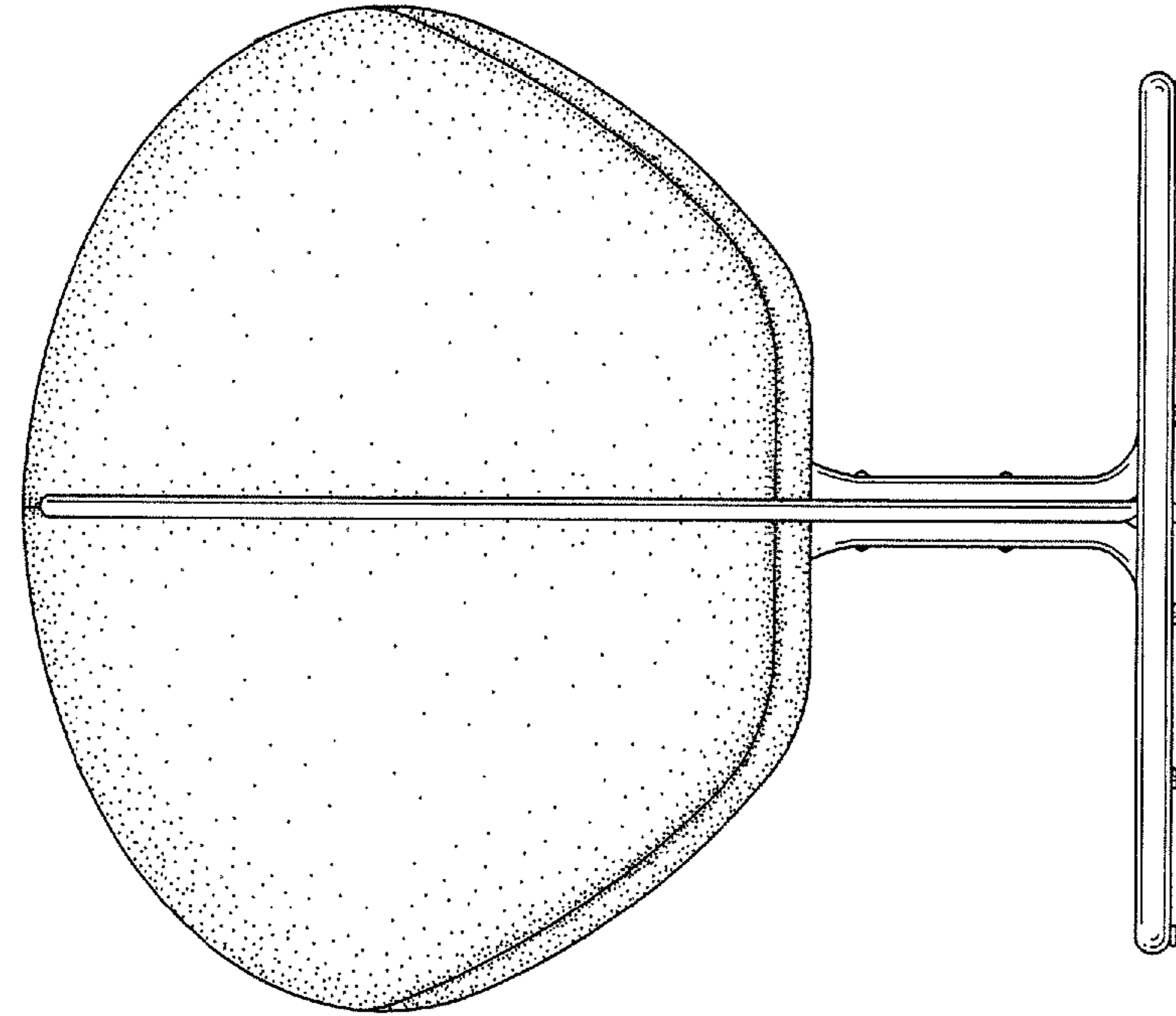


FIG. 2

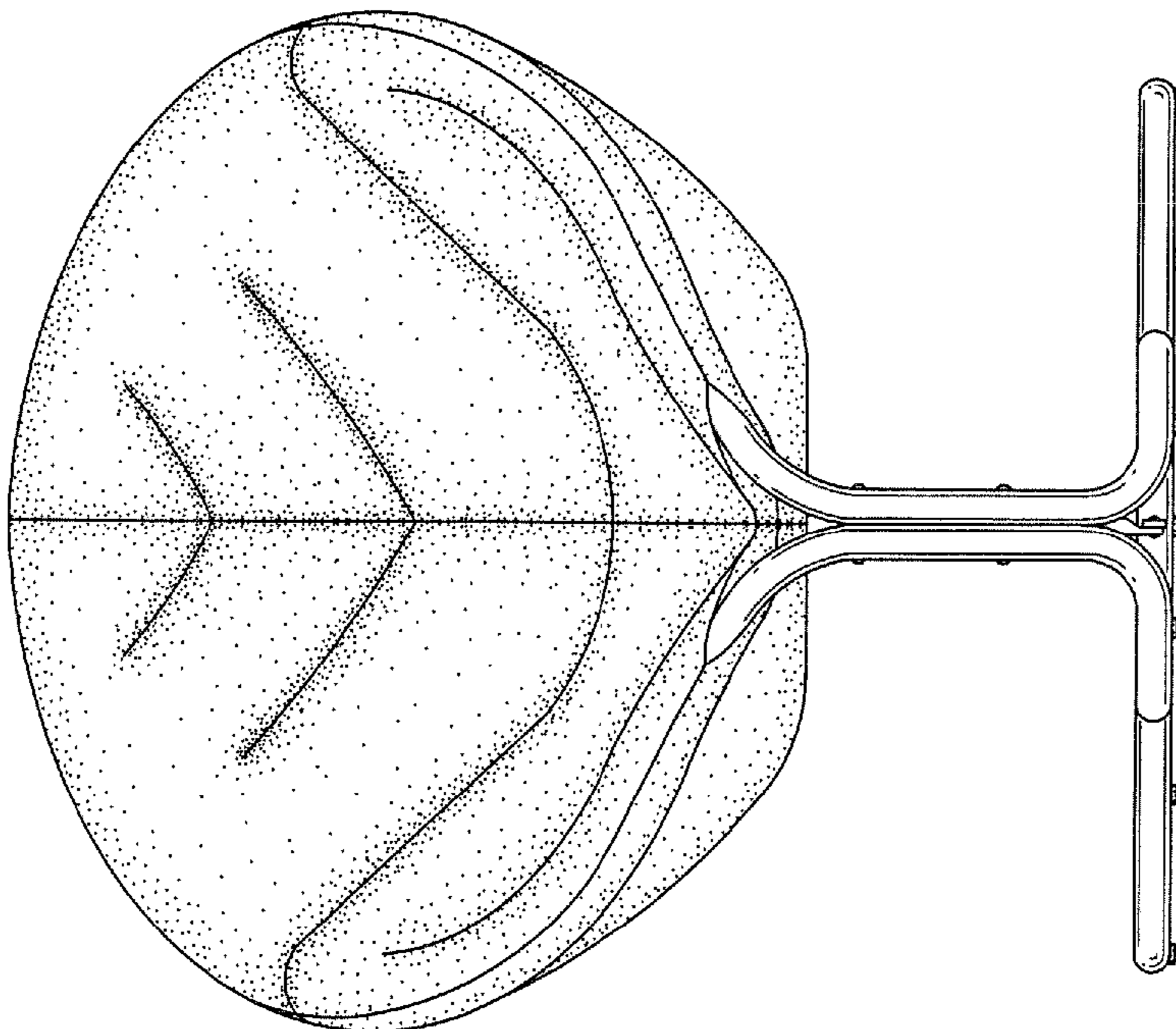


FIG. 3

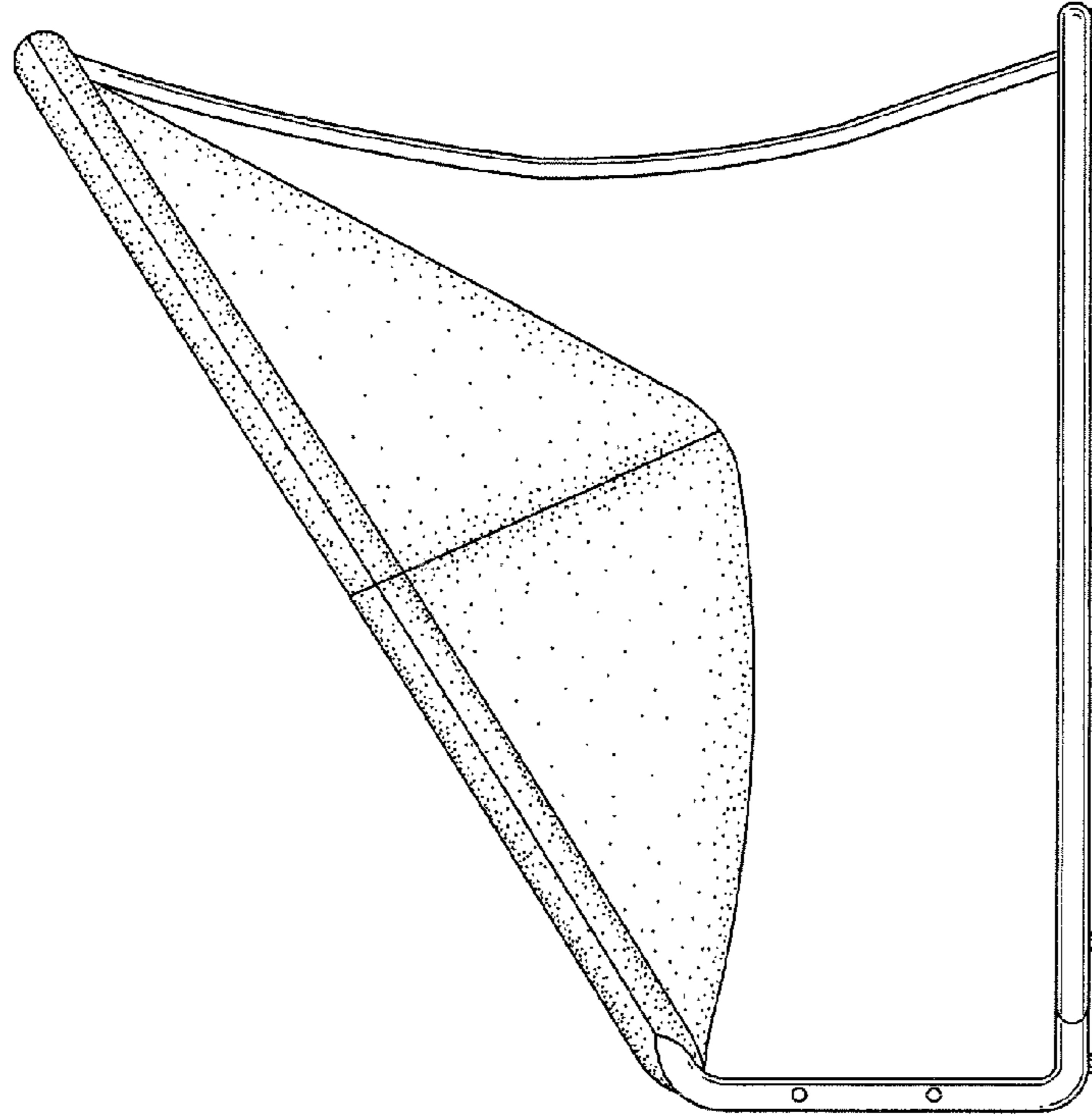


FIG. 5

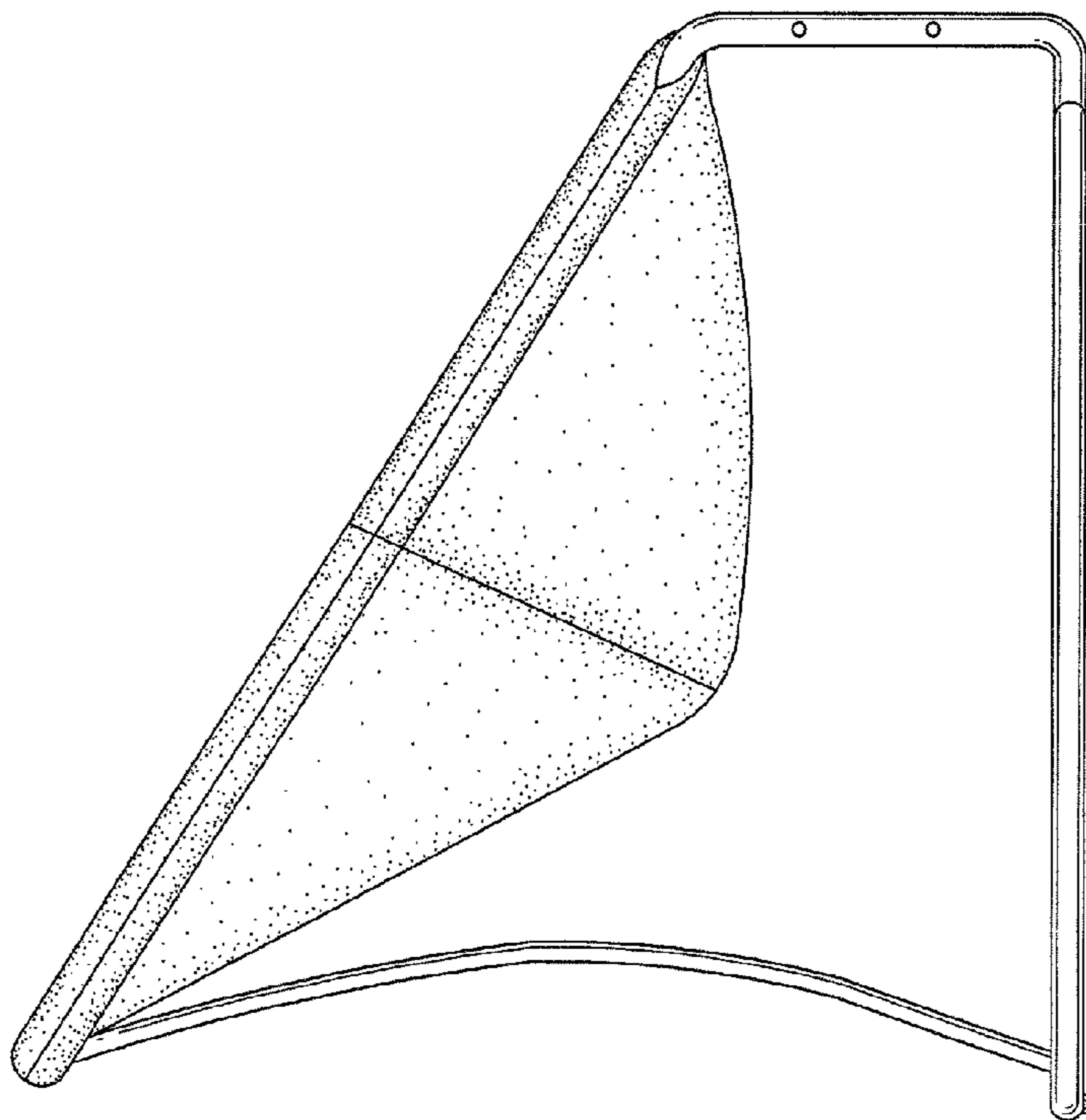


FIG. 4

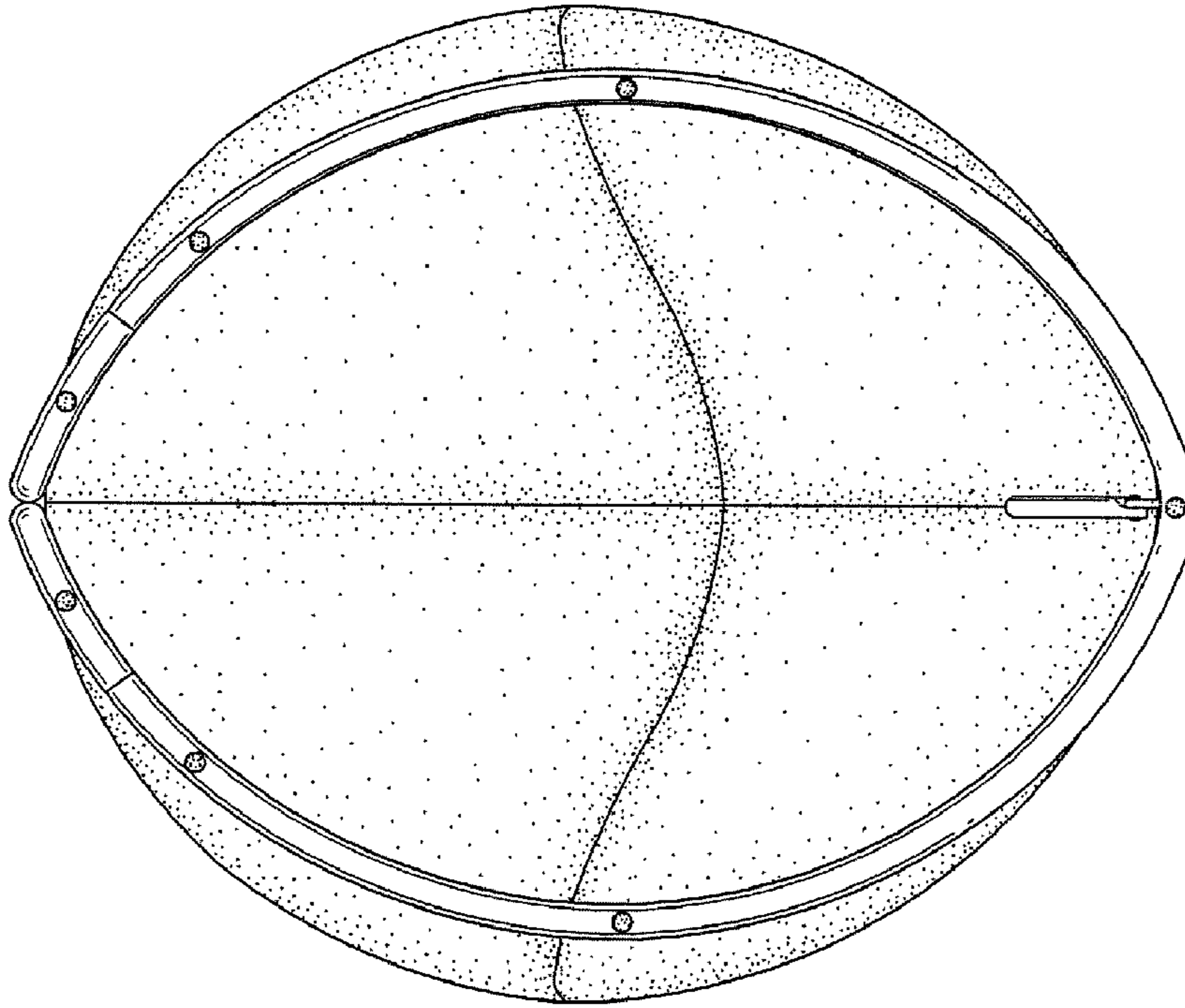


FIG. 7

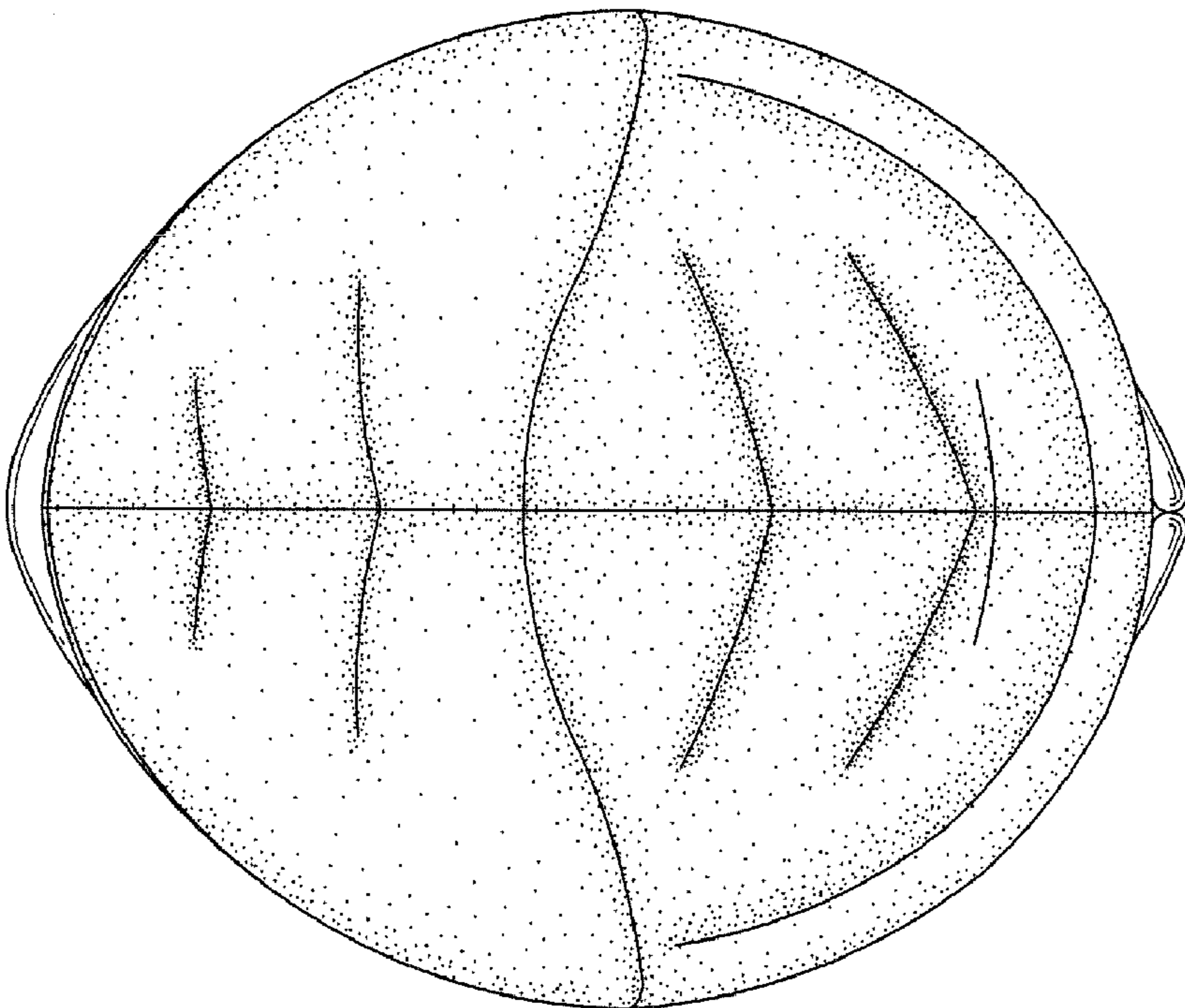


FIG. 6