



US00D571571S

(12) **United States Design Patent**
Stewart-Stand

(10) **Patent No.:** **US D571,571 S**
(45) **Date of Patent:** **** Jun. 24, 2008**

(54) **COLLAPSIBLE CHAIR**

2007/0132282 A1* 6/2007 Jeans 297/16.1

(75) Inventor: **Theo Stewart-Stand**, 68 Jay St., Suite
210, Brooklyn, NY (US) 11201

* cited by examiner

Primary Examiner—Mimosa De

(73) Assignee: **Theo Stewart-Stand**, Brooklyn, NY
(US)

(57) **CLAIM**

(**) Term: **14 Years**

The ornamental design for a collapsible chair, as shown and described.

(21) Appl. No.: **29/289,704**

(22) Filed: **Jul. 30, 2007**

DESCRIPTION

(51) **LOC (8) Cl.** **06-01**

FIG. 1 shows a perspective view of my design for a collapsible chair according to the invention.

(52) **U.S. Cl.** **D6/368**

FIG. 2 shows a front view of my design for a collapsible chair according to the invention.

(58) **Field of Classification Search** D6/334-336,
D6/368, 374, 375, 379, 500-502; 108/162;
248/174; 297/16.1, 440.12, 440.13, 445.1,
297/446.1

FIG. 3 shows a side view of my design of my design for a collapsible chair according to the invention.

See application file for complete search history.

FIG. 4 shows a back view of my design of my design for a collapsible chair according to the invention.

(56) **References Cited**

U.S. PATENT DOCUMENTS

3,312,503	A	*	4/1967	Suzuki	297/440.12
D293,633	S	*	1/1988	Saporiti	D6/368
D352,182	S	*	11/1994	Yoshimura	D6/368
D362,127	S	*	9/1995	Chen	D6/368
D447,354	S	*	9/2001	Bluberg	D6/374
D456,162	S	*	4/2002	Peters	D6/368

FIG. 5 shows a perspective view of my design for a collapsible chair in a disassembled state according to the invention; and,

FIG. 6 shows a perspective view of my design for a collapsible chair in a partially collapsed and disassembled state according to the invention.

1 Claim, 6 Drawing Sheets

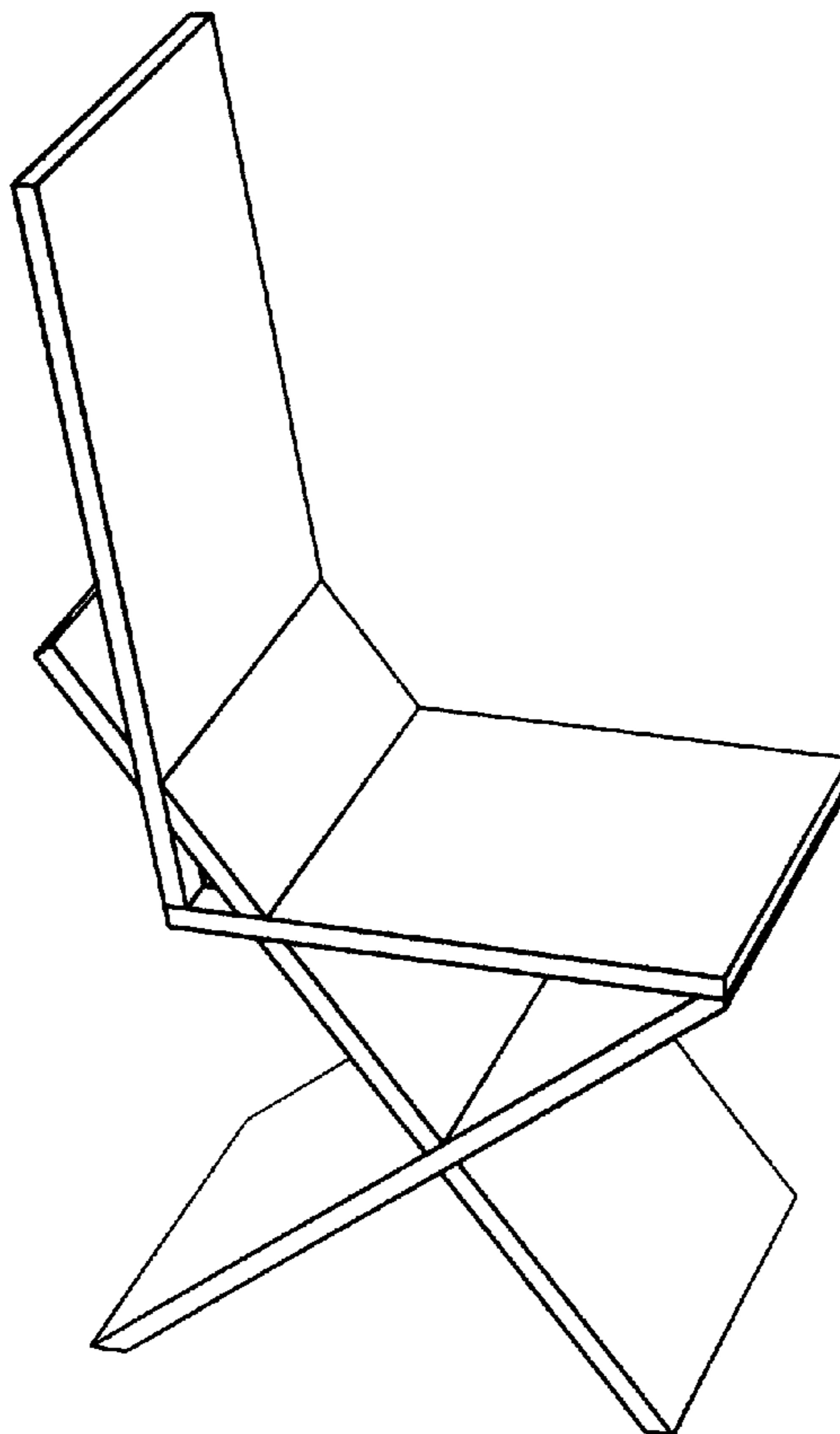


FIG. 1:

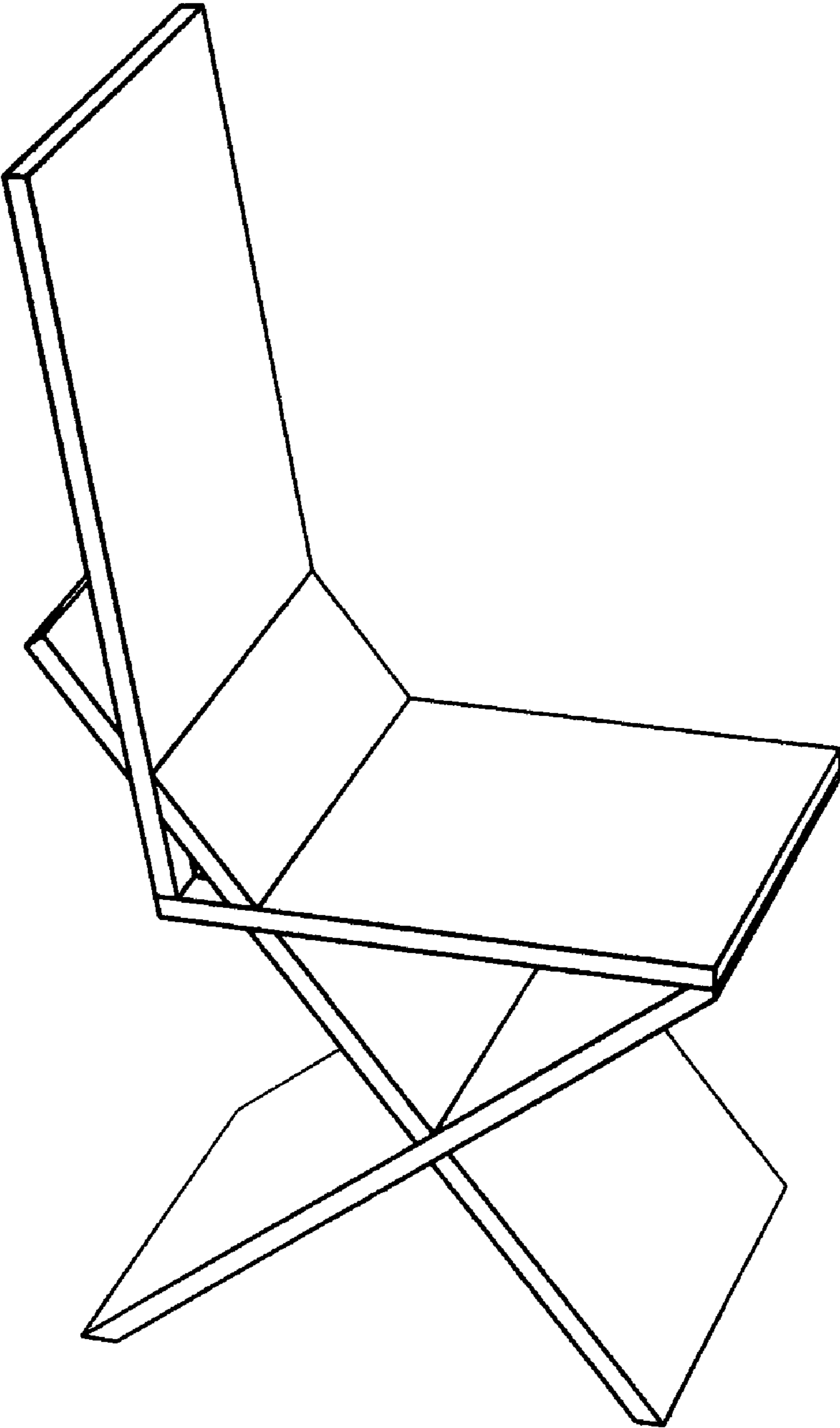


FIG. 2:

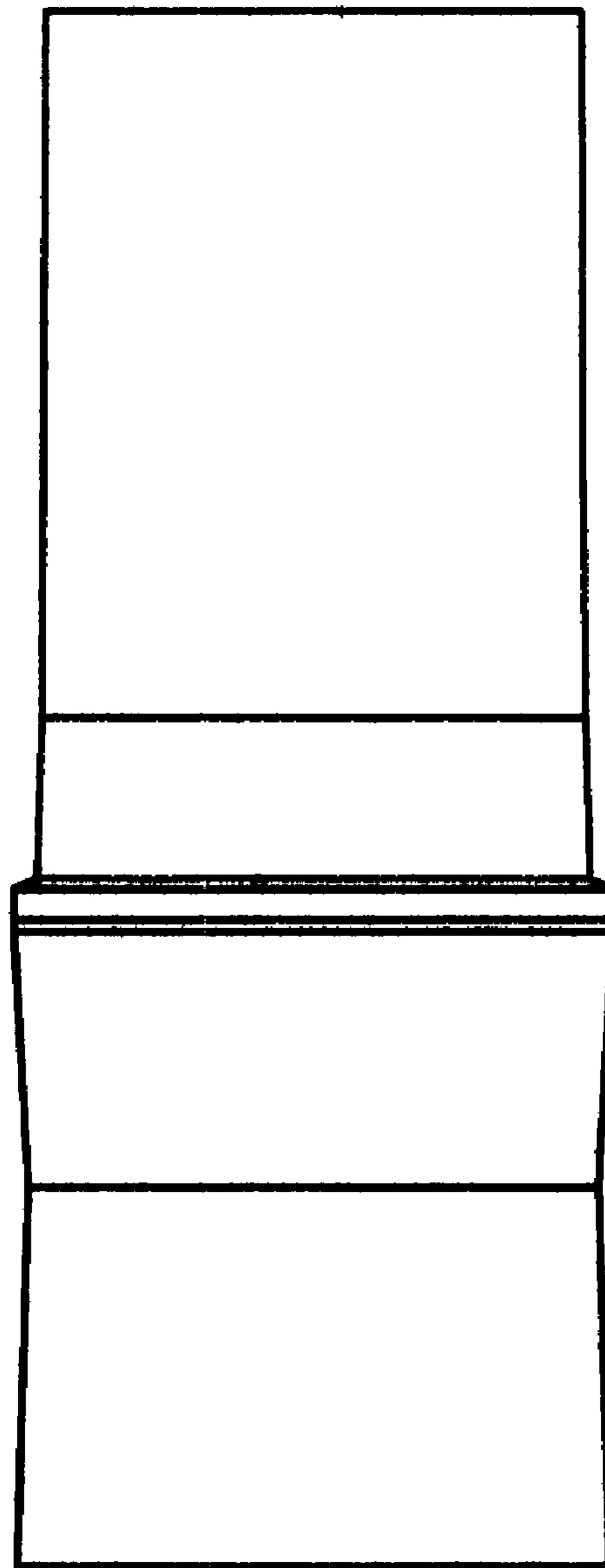


FIG. 3:

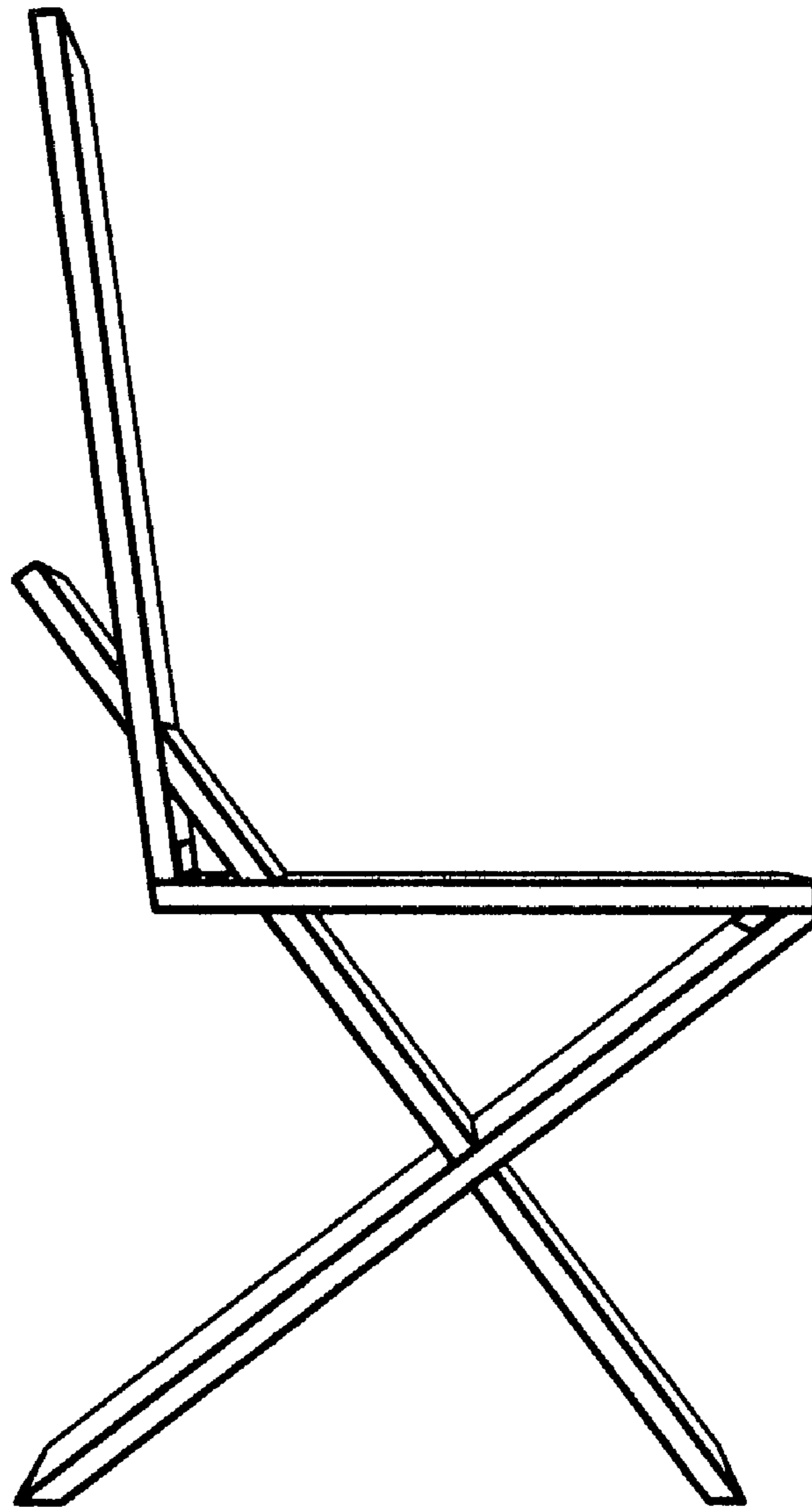


FIG. 4:

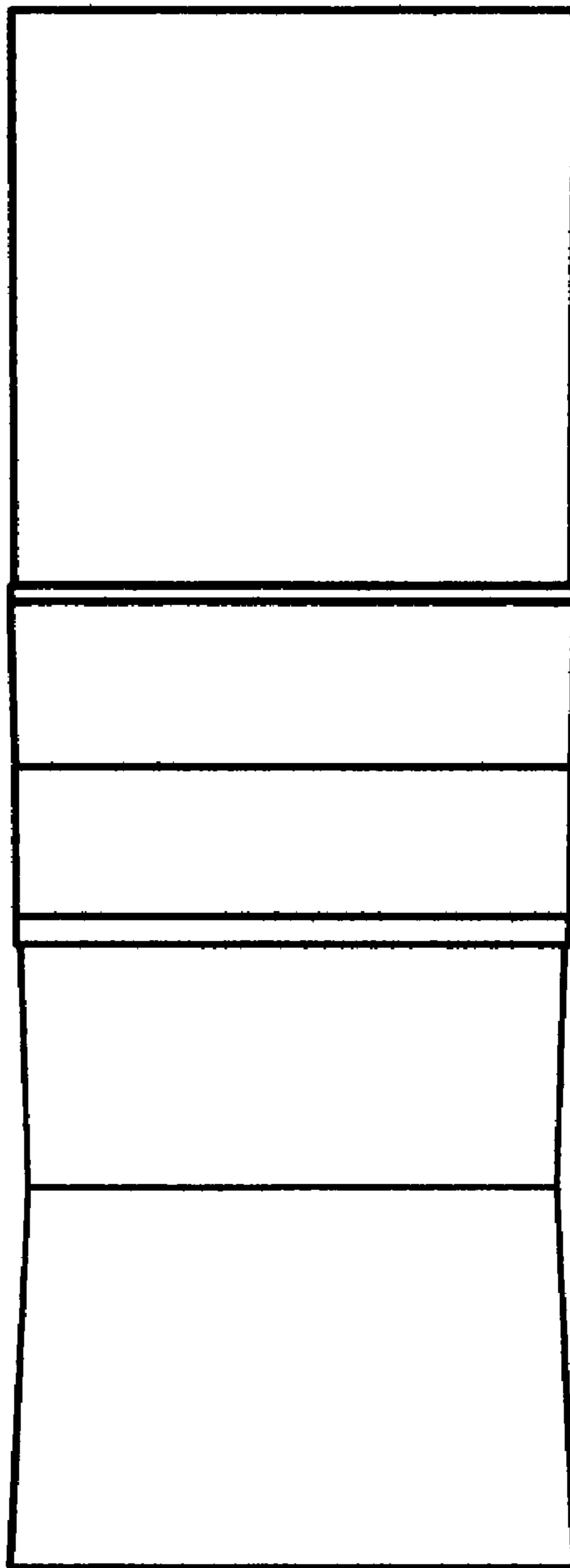


FIG. 5:

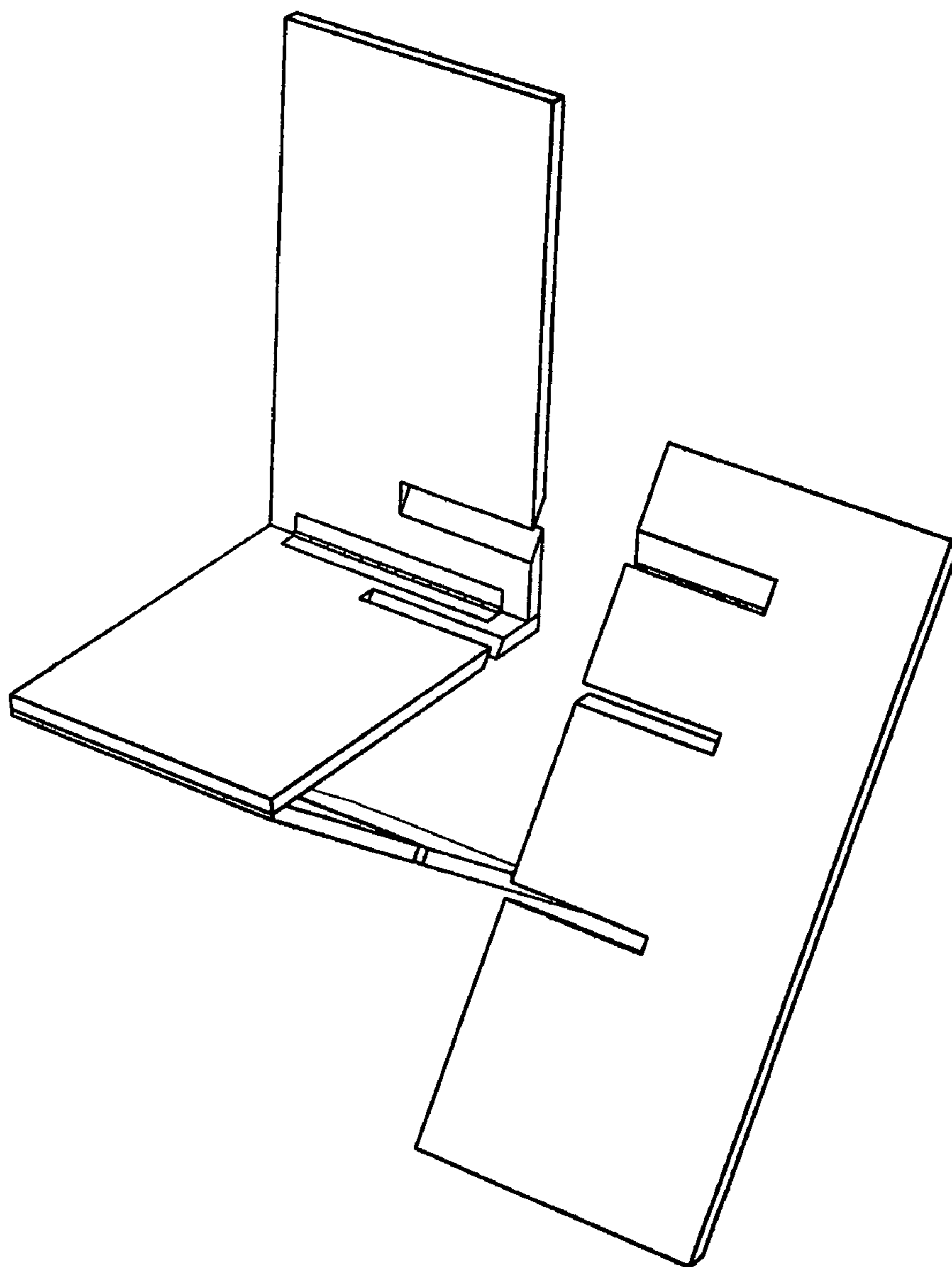


FIG. 6:

