



US00D571569S

(12) **United States Design Patent**
Fancelli

(10) **Patent No.:** **US D571,569 S**
(45) **Date of Patent:** **** Jun. 24, 2008**

(54) **CHAIR**
(75) Inventor: **Paolo Fancelli**, Zürich (CH)
(73) Assignee: **Stoll Giroflex AG**, Koblenz (CH)
(**) Term: **14 Years**

D500,607 S * 1/2005 Tsai D6/366
D545,076 S * 6/2007 Dallmann et al. D6/366
D550,976 S * 9/2007 Bellini et al. D6/366
D552,857 S * 10/2007 Wang D6/366
D557,024 S * 12/2007 Chen D6/366
D557,913 S * 12/2007 Ong D6/366

* cited by examiner

(21) Appl. No.: **29/274,189**
(22) Filed: **Apr. 4, 2007**

Primary Examiner—Robert M. Spear
Assistant Examiner—Katrina A Kile
(74) *Attorney, Agent, or Firm*—Greenblum & Bernstein,
P.L.C.

(30) **Foreign Application Priority Data**
Oct. 9, 2006 (WO) DM/068276

(57) **CLAIM**

(51) **LOC (8) Cl.** **06-01**
(52) **U.S. Cl.** **D6/366**
(58) **Field of Classification Search** D6/366,
D6/370, 334–336, 358, 364–367, 372–375,
D6/379, 356, 498, 500–502; 297/411.2,
297/411.27, 411.28, 411.36, 452.29, 284.4,
297/452.3

I claim the ornamental design for a chair, as shown and described.

See application file for complete search history.

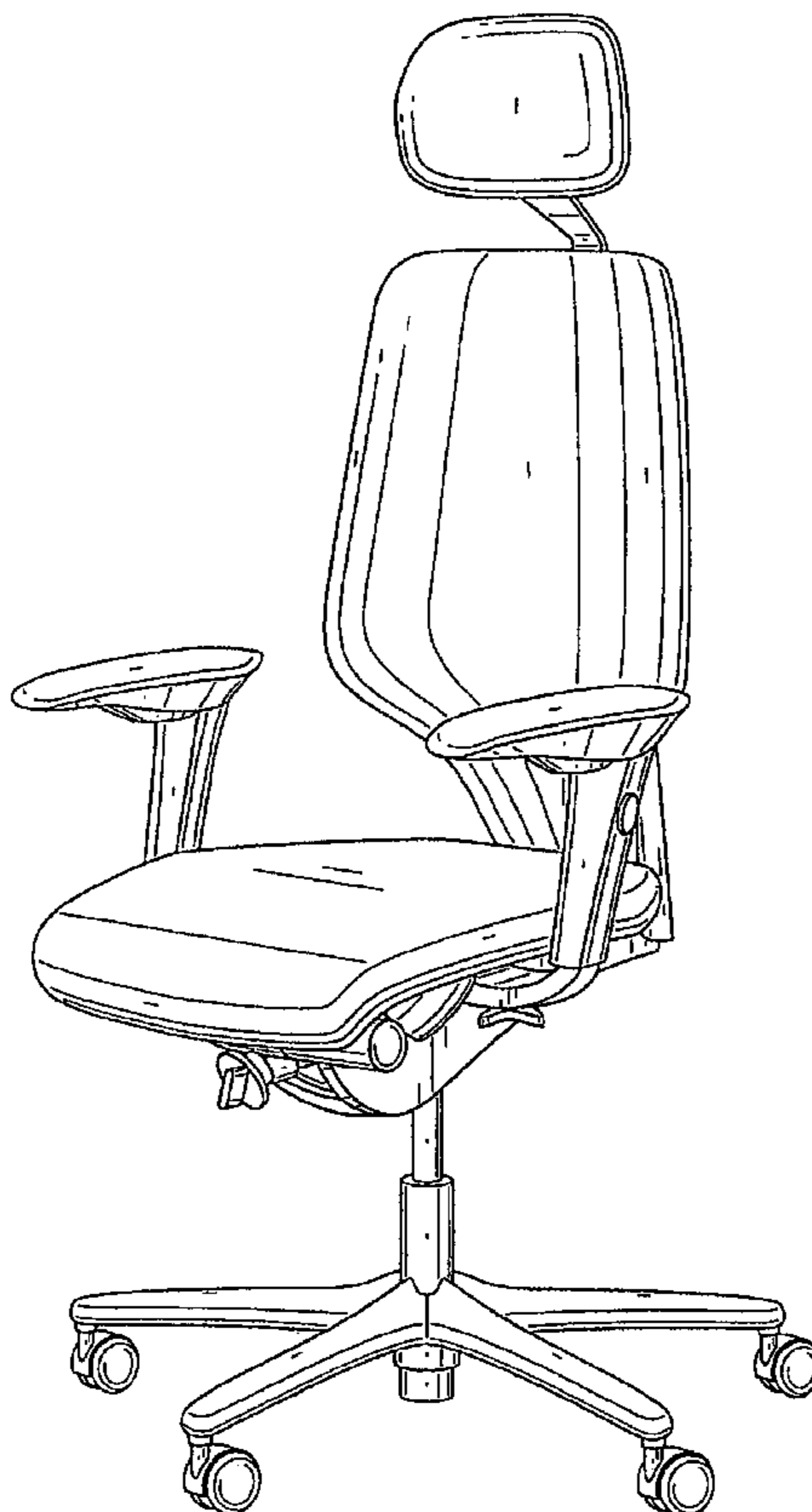
DESCRIPTION

(56) **References Cited**
U.S. PATENT DOCUMENTS

FIG. 1 is a front and right side perspective view of a chair, showing my new design;
FIG. 2 is a front view thereof;
FIG. 3 is a rear view thereof;
FIG. 4 is a left side view thereof;
FIG. 5 is a right side view thereof;
FIG. 6 is a top view thereof; and,
FIG. 7 is a bottom view thereof.

D270,002 S * 8/1983 Kahn et al. D25/1
D445,613 S * 7/2001 Ginat D6/500
D495,509 S * 9/2004 Breen D6/366
D499,564 S * 12/2004 Meda D6/366

1 Claim, 7 Drawing Sheets



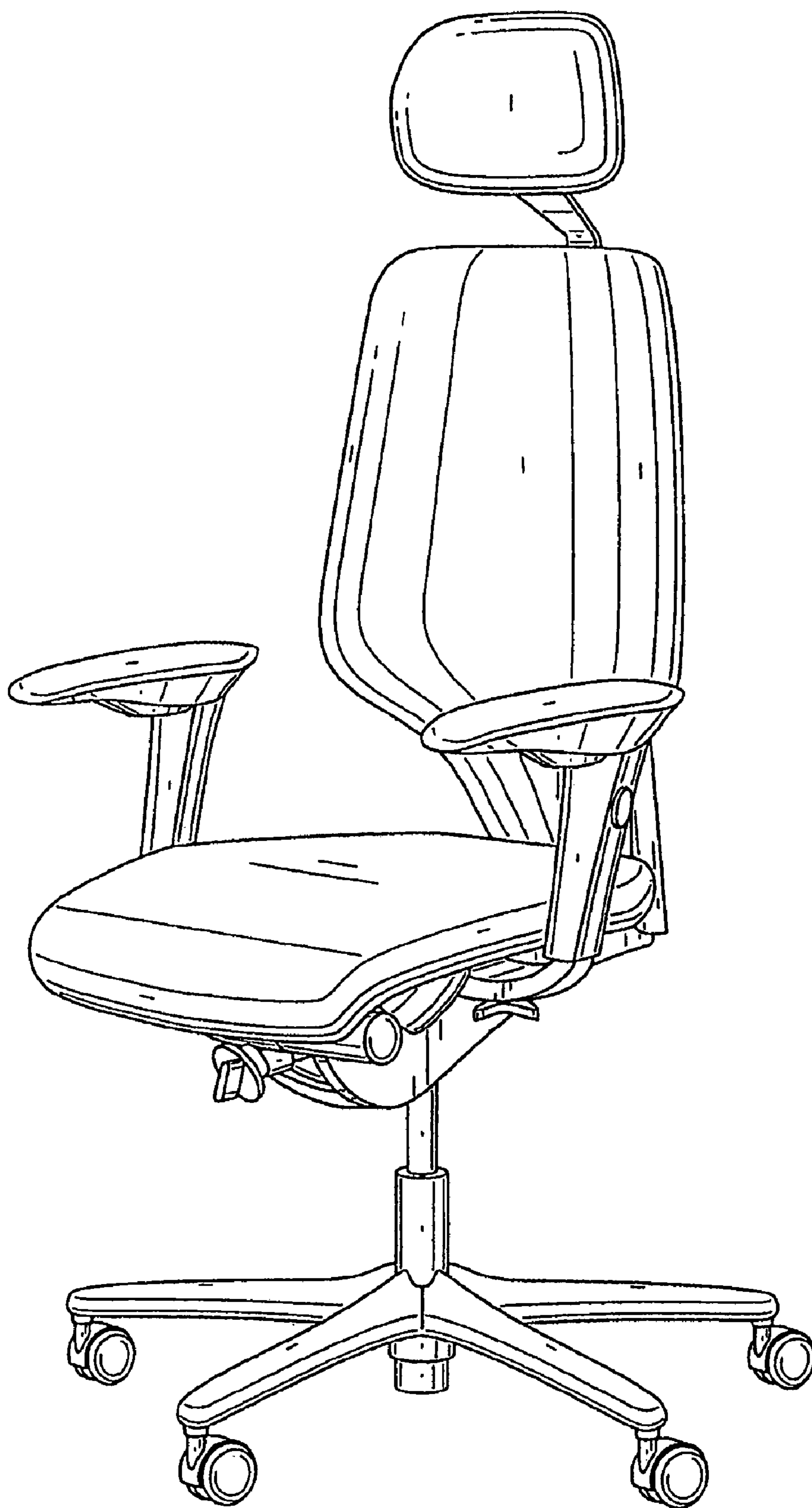


FIG. 1

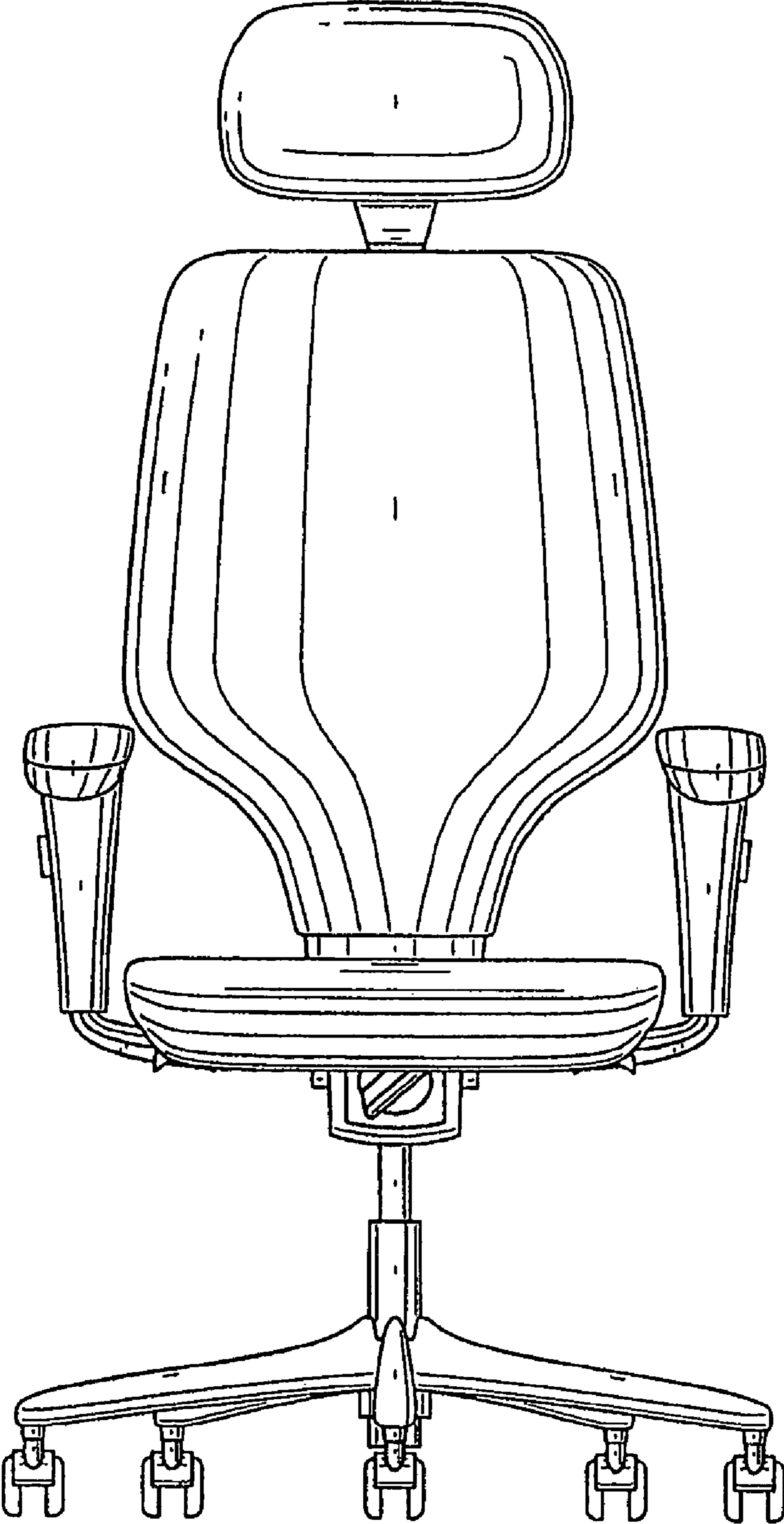


FIG. 2

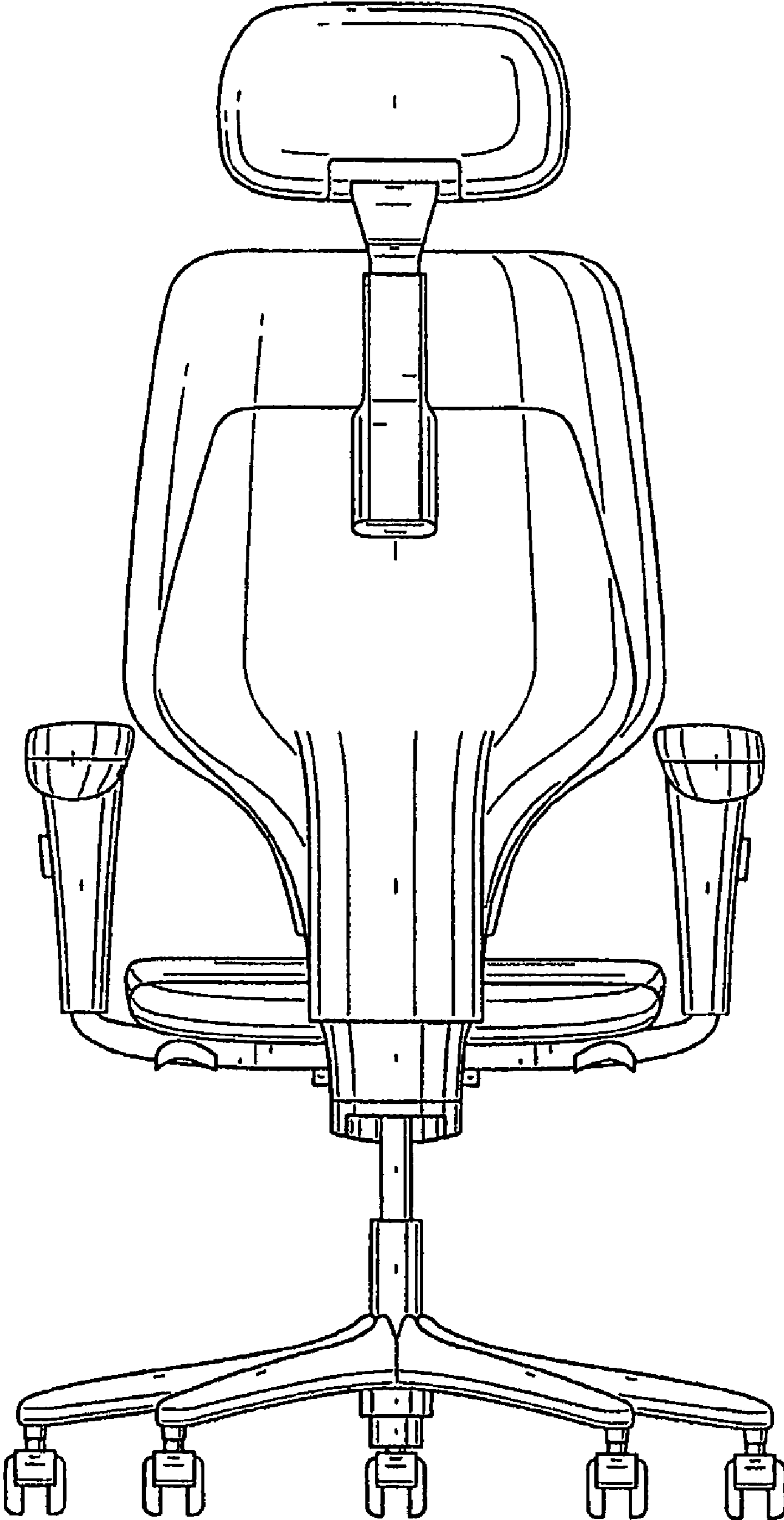


FIG. 3

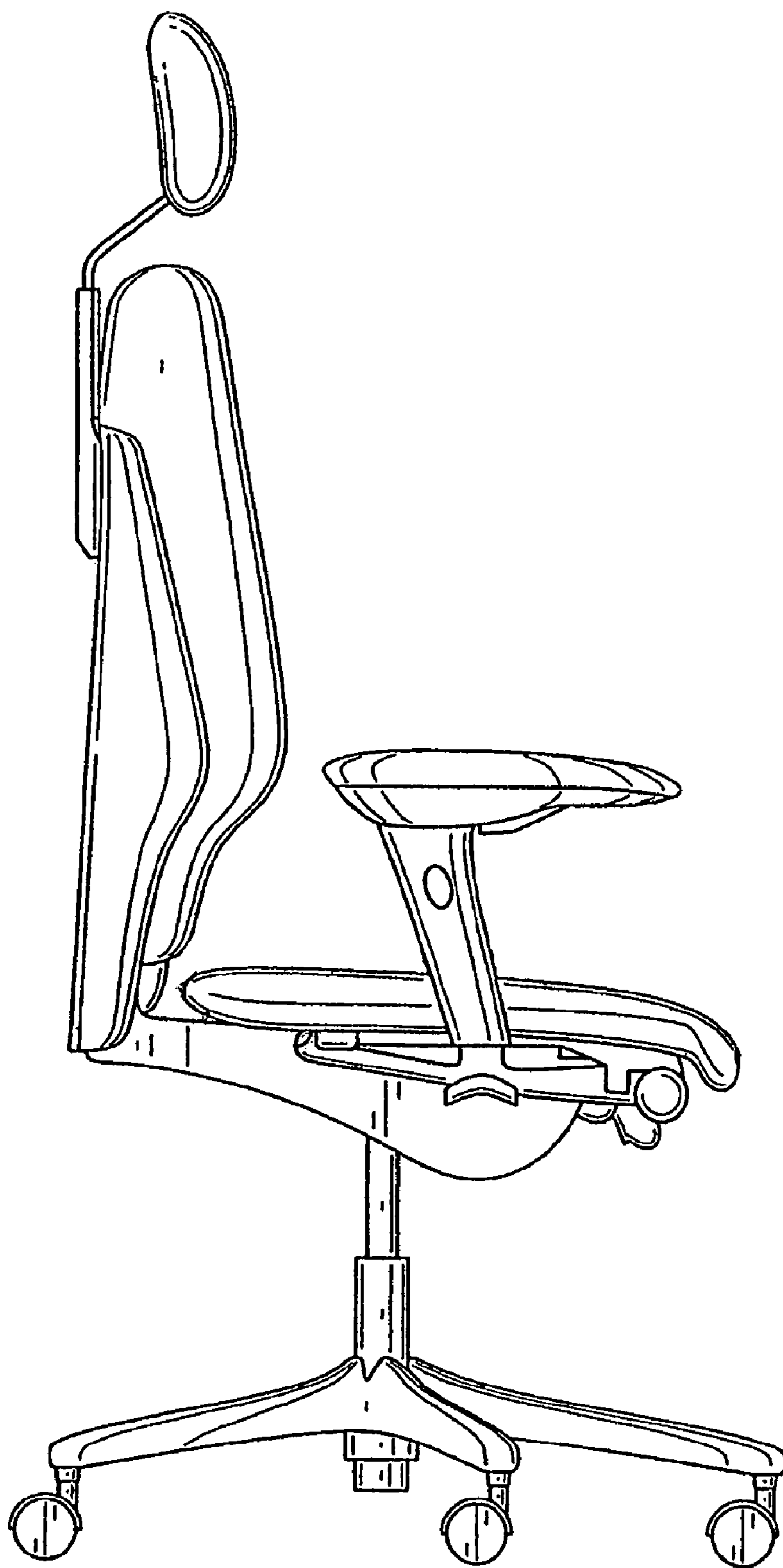


FIG. 4

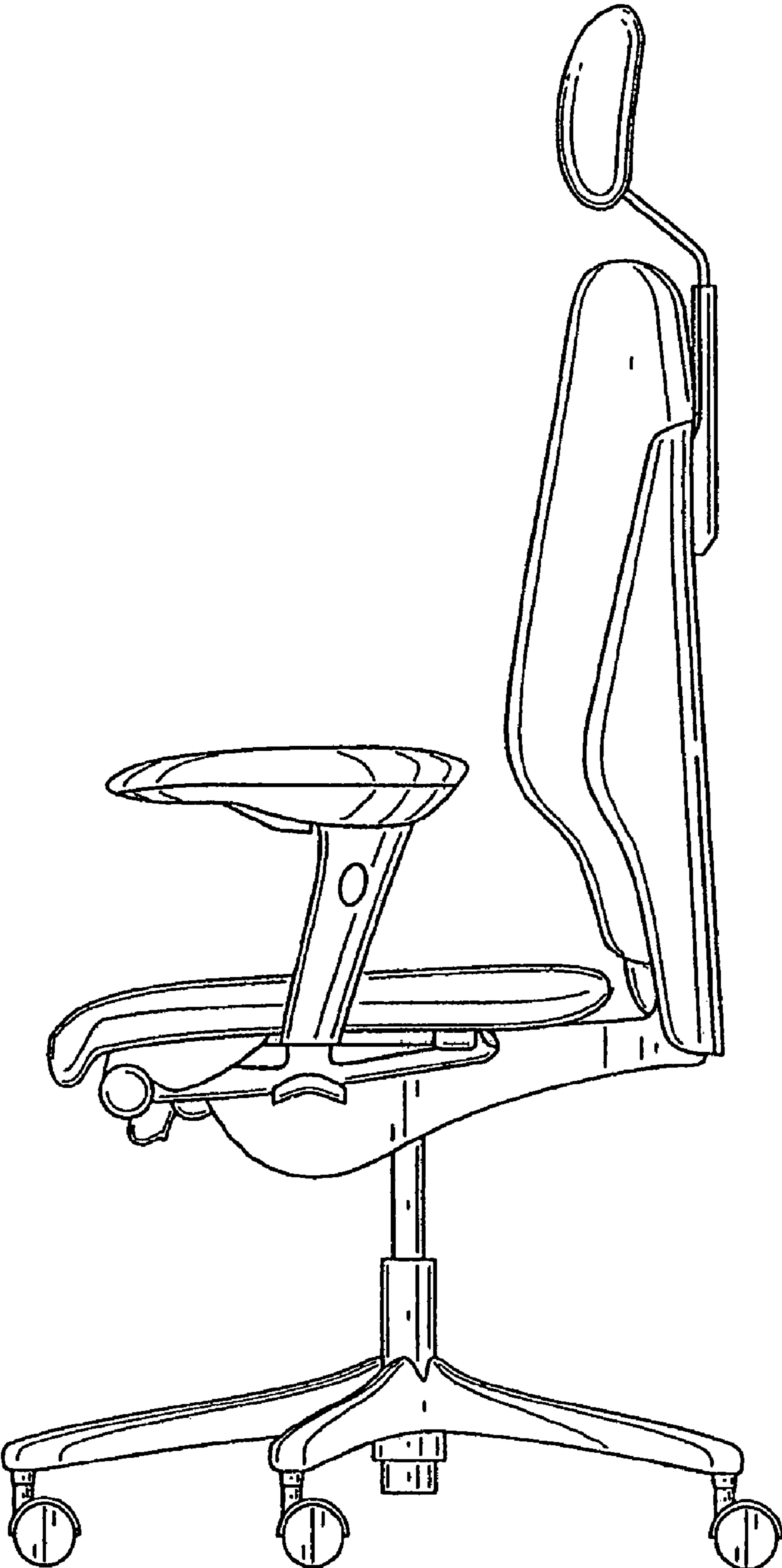


FIG. 5

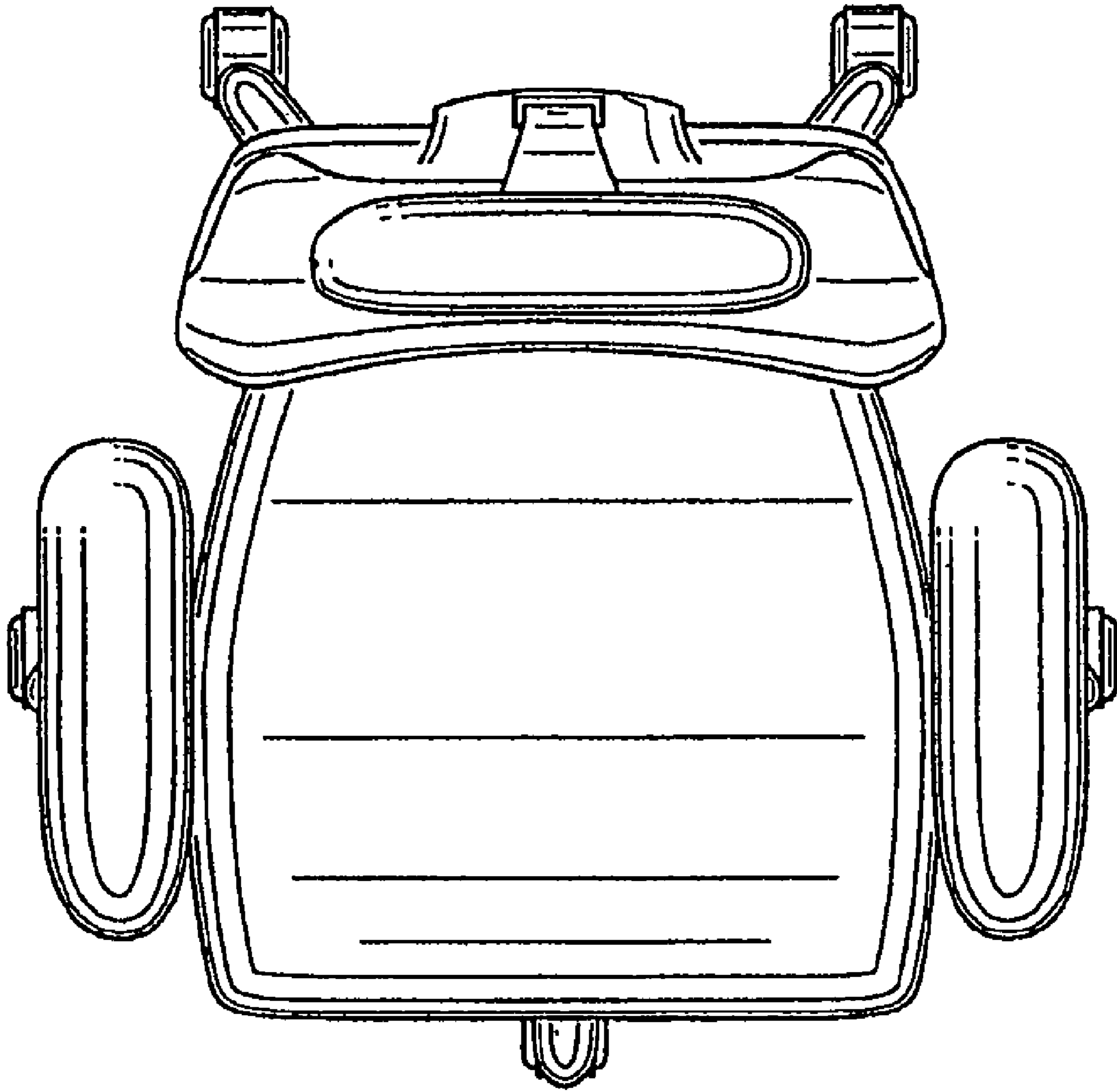


FIG. 6

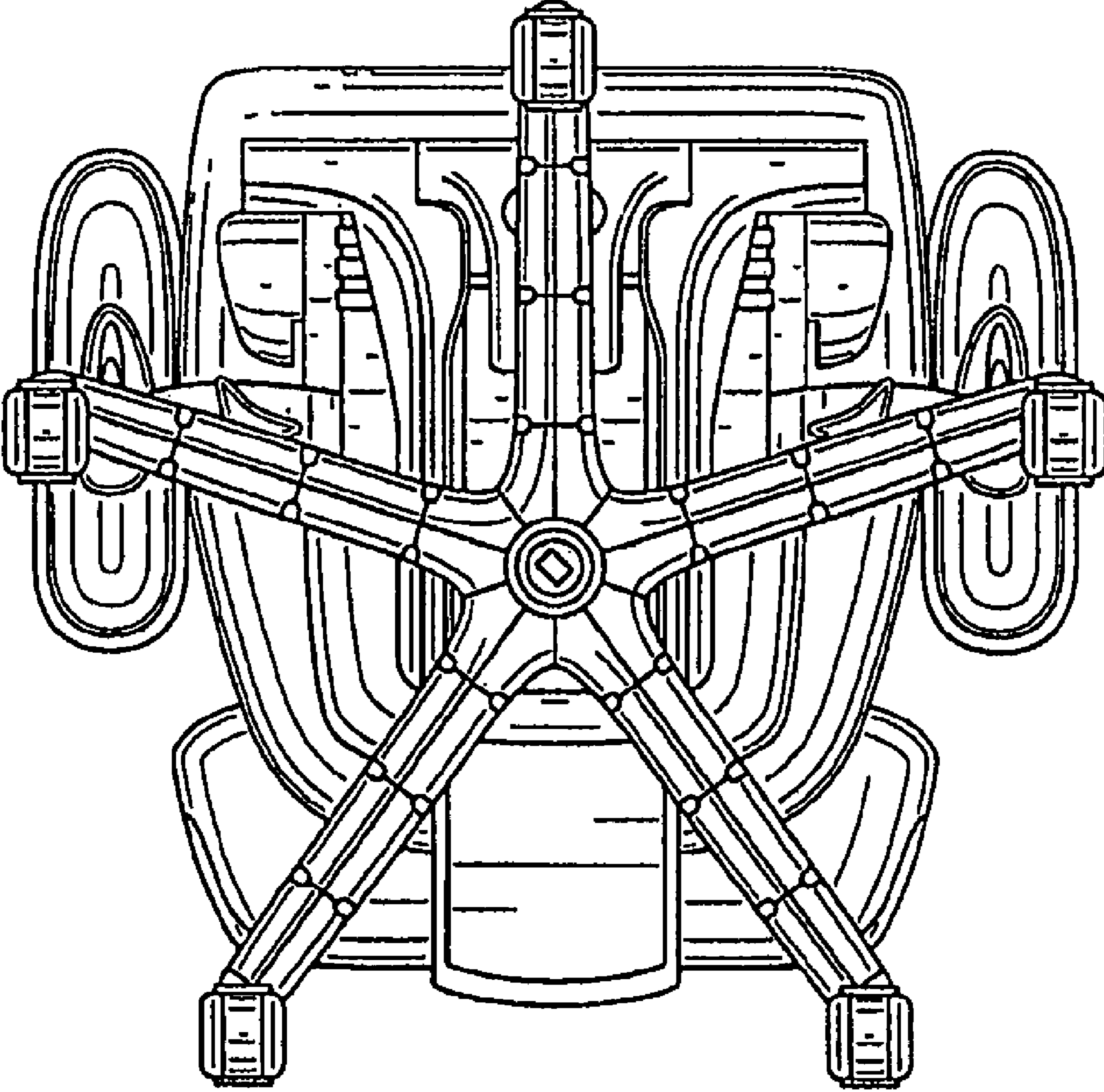


FIG. 7