



US00D571568S

(12) **United States Design Patent**
Overthun et al.

(10) **Patent No.:** **US D571,568 S**
(45) **Date of Patent:** **** Jun. 24, 2008**

(54) **SEATING UNIT**

- (75) Inventors: **Thomas Overthun**, San Francisco, CA (US); **Bruce M. Smith**, Grand Rapids, MI (US)
- (73) Assignee: **Steelcase Inc.**, Grand Rapids, MI (US)
- (**) Term: **14 Years**
- (21) Appl. No.: **29/261,125**
- (22) Filed: **Jun. 7, 2006**
- (51) **LOC (8) Cl.** **06-01**
- (52) **U.S. Cl.** **D6/366**
- (58) **Field of Classification Search** D6/370, D6/358, 364–367, 334–336, 372–375, 379, D6/498, 356, 500–502; 297/411.2, 411.27, 297/411.28, 411.36, 452.29, 284.4, 452.3
See application file for complete search history.

(56) **References Cited**

U.S. PATENT DOCUMENTS

5,249,839	A	10/1993	Faiks et al.	
D355,303	S	2/1995	Scheper et al.	
D382,149	S	8/1997	Pimental et al.	
6,062,649	A	5/2000	Nagel et al.	
6,086,153	A	7/2000	Heidmann et al.	
6,099,076	A	8/2000	Nagel et al.	
D434,918	S	12/2000	Arko et al.	
D436,768	S	1/2001	Jenkins et al.	
D535,112	S	* 1/2007	Bernett et al. D6/366

(Continued)

Primary Examiner—Robert M. Spear
Assistant Examiner—Katrina A Kile
(74) *Attorney, Agent, or Firm*—Price, Heneveld, Cooper, DeWitt & Litton, LLP

(57) **CLAIM**

We claim the ornamental design for a seating unit, as shown.

DESCRIPTION

FIG. 1 is a perspective view of a first seating unit embodying the present invention;
 FIG. 2 is a front view of the seating unit shown in FIG. 1;
 FIG. 3 is a left side view of the seating unit shown in FIG. 1, the right side being a mirror image thereof;
 FIG. 4 is a rear view of the seating unit shown in FIG. 1;
 FIG. 5 is a top view of the seating unit shown in FIG. 1; and
 FIG. 6 is a bottom view of the seating unit shown in FIG. 1.
 FIG. 7 is a perspective view of a second seating unit embodying the present invention;
 FIG. 8 is a front view of the seating unit shown in FIG. 7;
 FIG. 9 is a left side view of the seating unit shown in FIG. 7, the right side being a mirror image thereof;
 FIG. 10 is a rear view of the seating unit shown in FIG. 7;
 FIG. 11 is a top view of the seating unit shown in FIG. 7; and
 FIG. 12 is a bottom view of the seating unit shown in FIG. 7.
 FIG. 13 is a perspective view of a third seating unit embodying the present invention;
 FIG. 14 is a front view of the seating unit shown in FIG. 13;
 FIG. 15 is a left side view of the seating unit shown in FIG. 13, the right side being a mirror image thereof;
 FIG. 16 is a rear view of the seating unit shown in FIG. 13;
 FIG. 17 is a top view of the seating unit shown in FIG. 13; and
 FIG. 18 is a bottom view of the seating unit shown in FIG. 13.
 FIG. 19 is a perspective view of a fourth seating unit embodying the present invention;
 FIG. 20 is a front view of the seating unit shown in FIG. 19;
 FIG. 21 is a left side view of the seating unit shown in FIG. 19, the right side being a mirror image thereof;
 FIG. 22 is a rear view of the seating unit shown in FIG. 19;
 FIG. 23 is a top view of the seating unit shown in FIG. 19; and
 FIG. 24 is a bottom view of the seating unit shown in FIG. 19.
 The broken lines in the drawings represent unclaimed environmental subject matter.

1 Claim, 12 Drawing Sheets



US D571,568 S

Page 2

U.S. PATENT DOCUMENTS

D535,830 S *	1/2007	Bernett et al.	D6/366	D546,594 S *	7/2007	Kane et al.	D6/500
D538,055 S *	3/2007	Kang	D6/366	D548,992 S *	8/2007	Koepke et al.	D6/366
D540,554 S *	4/2007	Yang	D6/366	D549,977 S *	9/2007	Koepke et al.	D6/366
D543,038 S *	5/2007	Benden et al.	D6/366	D557,026 S *	12/2007	Klaasen et al.	D6/366
D543,369 S *	5/2007	Hara	D6/366	D557,027 S *	12/2007	Hara	D6/366
D544,720 S *	6/2007	Berbegal Perez	D6/366	2007/0108831 A1 *	5/2007	Ueda	297/452.29

* cited by examiner

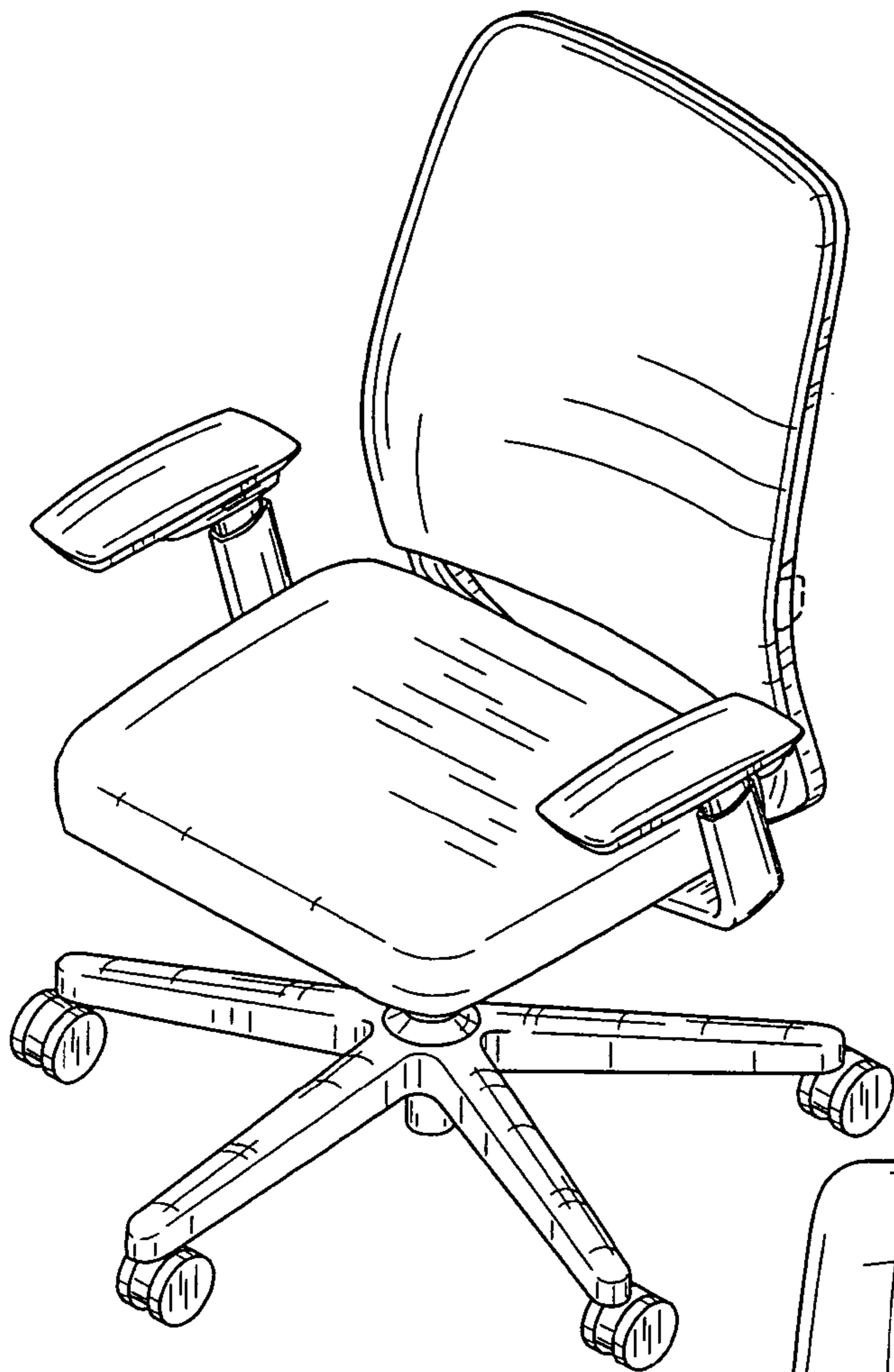


FIG. 1

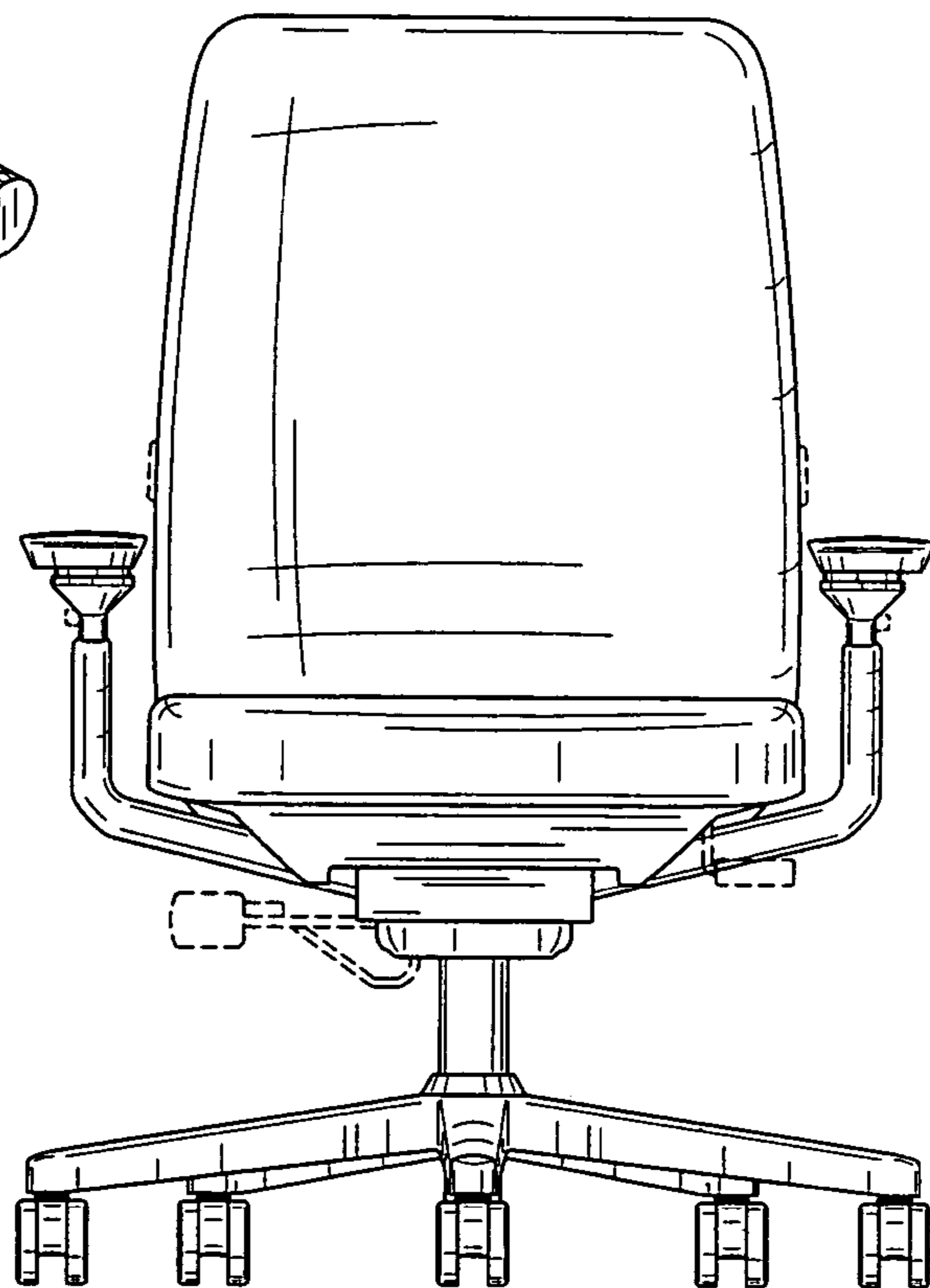


FIG. 2

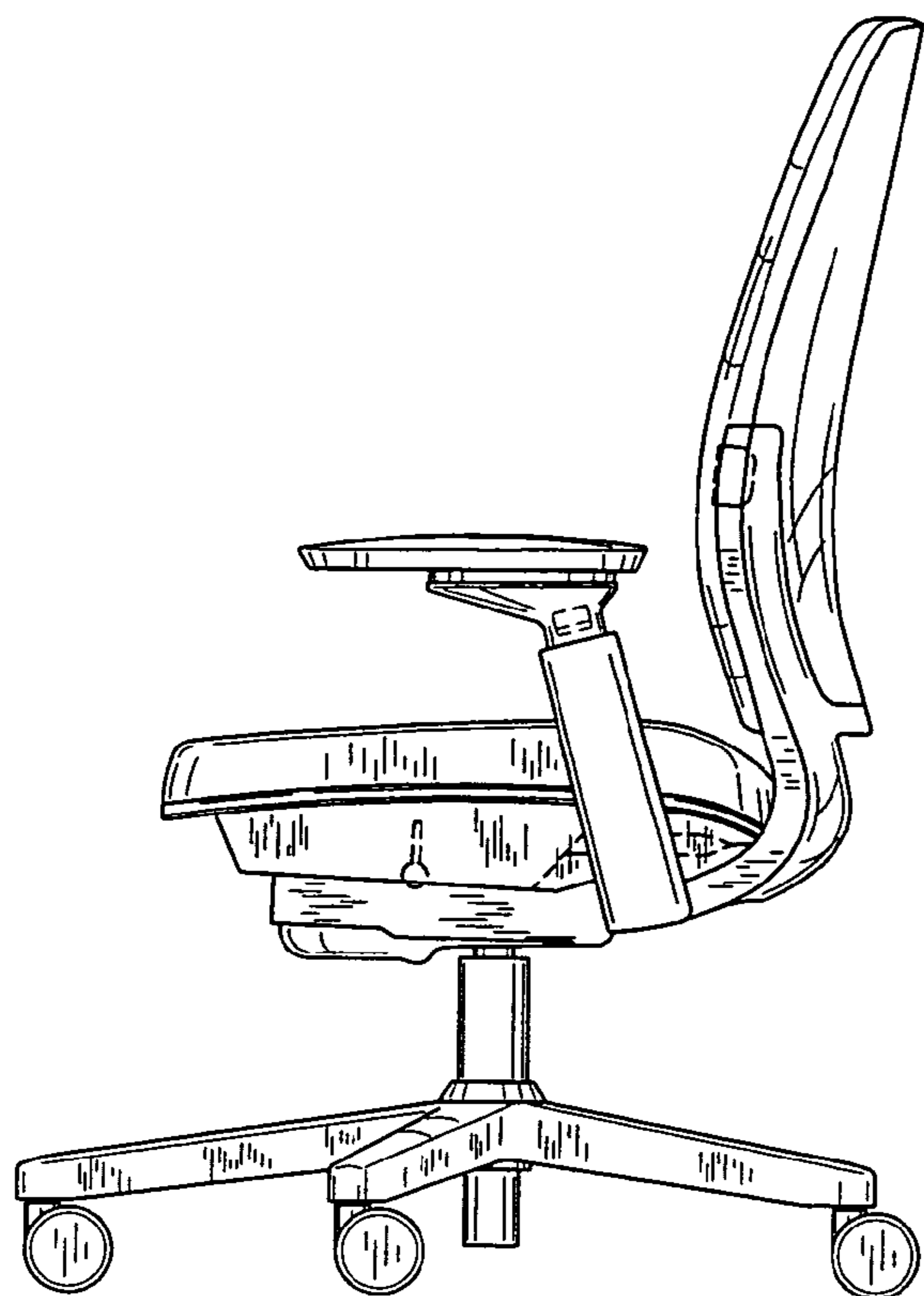


FIG. 3

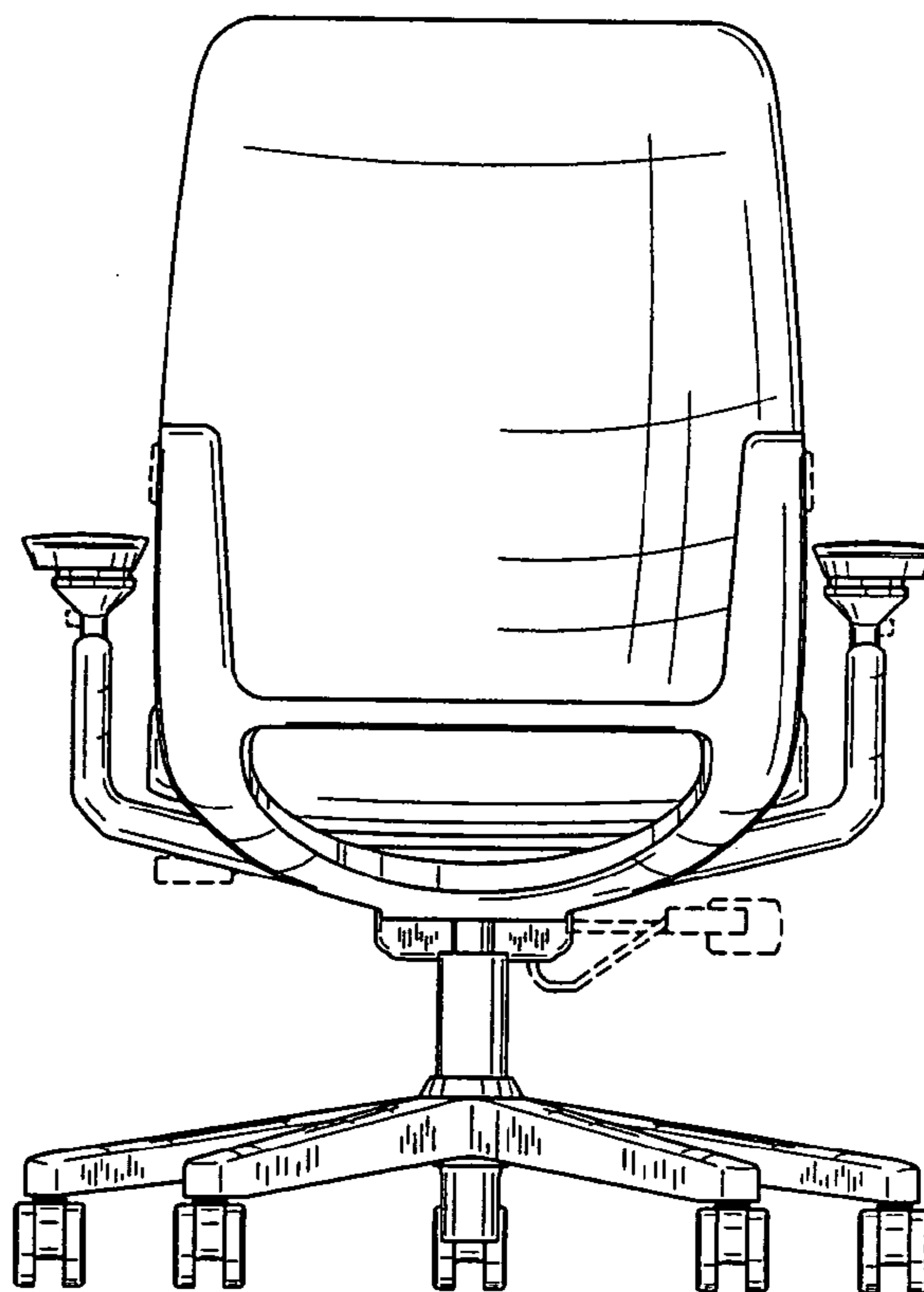


FIG. 4

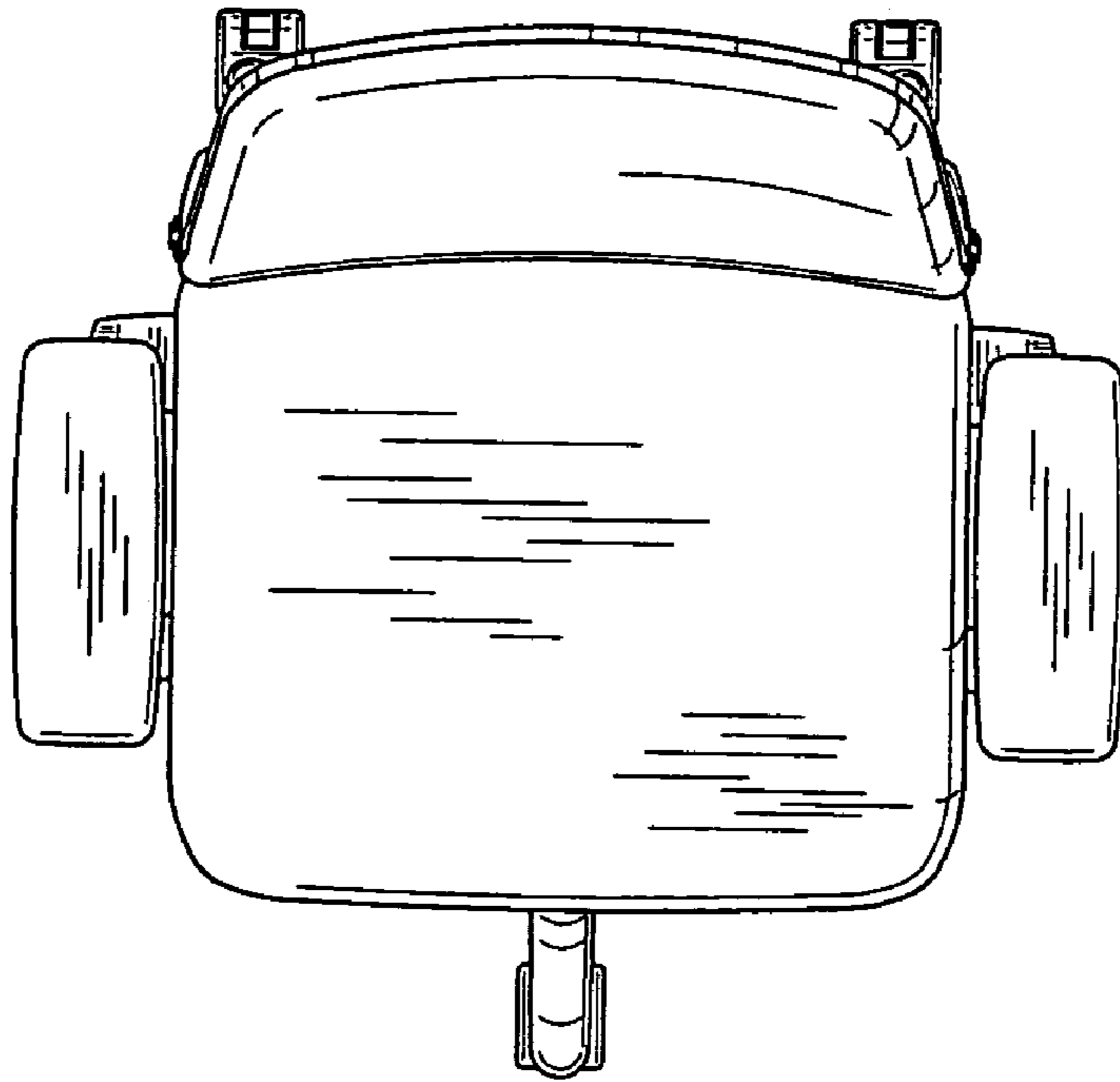


FIG. 5

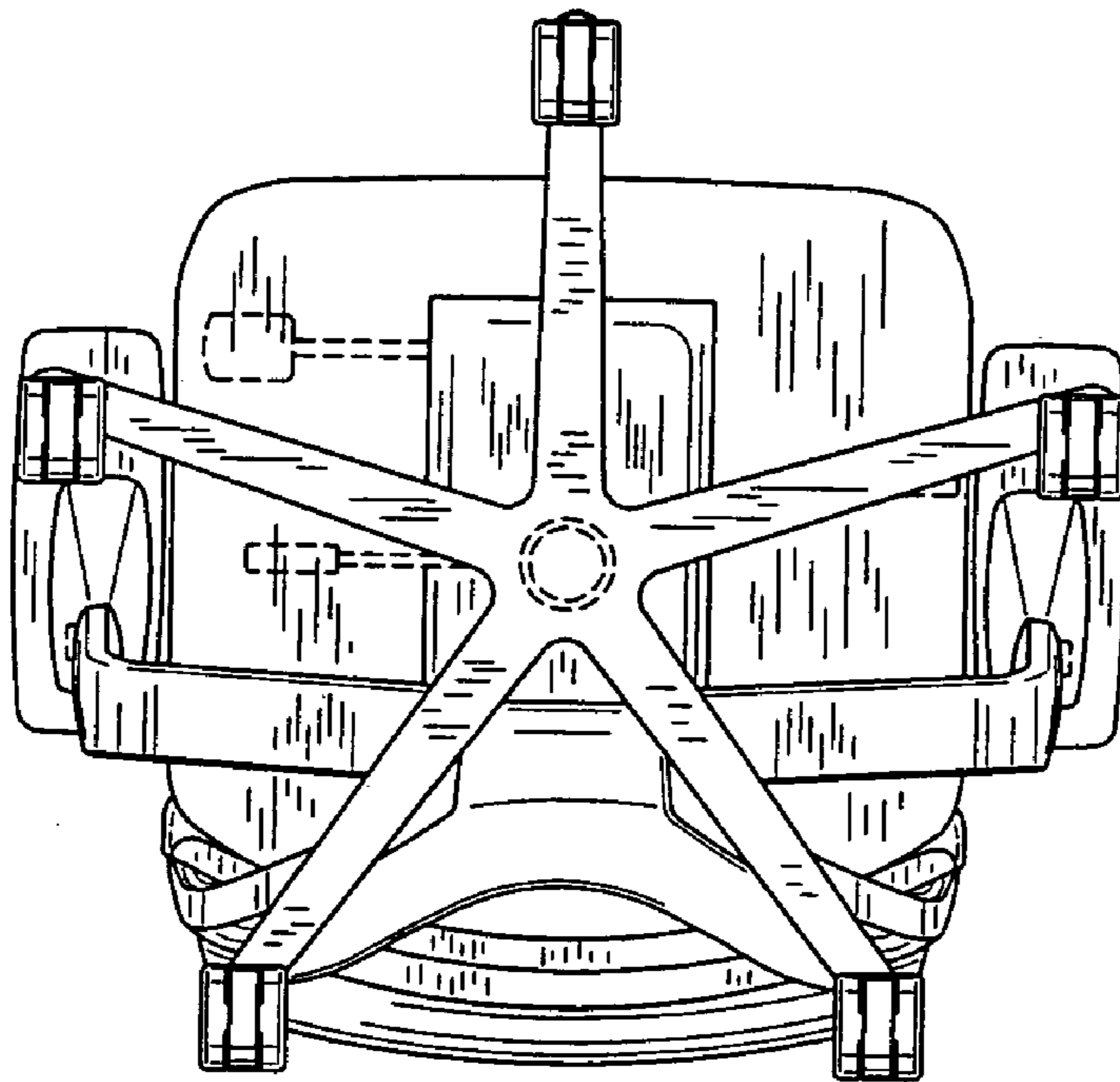


FIG. 6

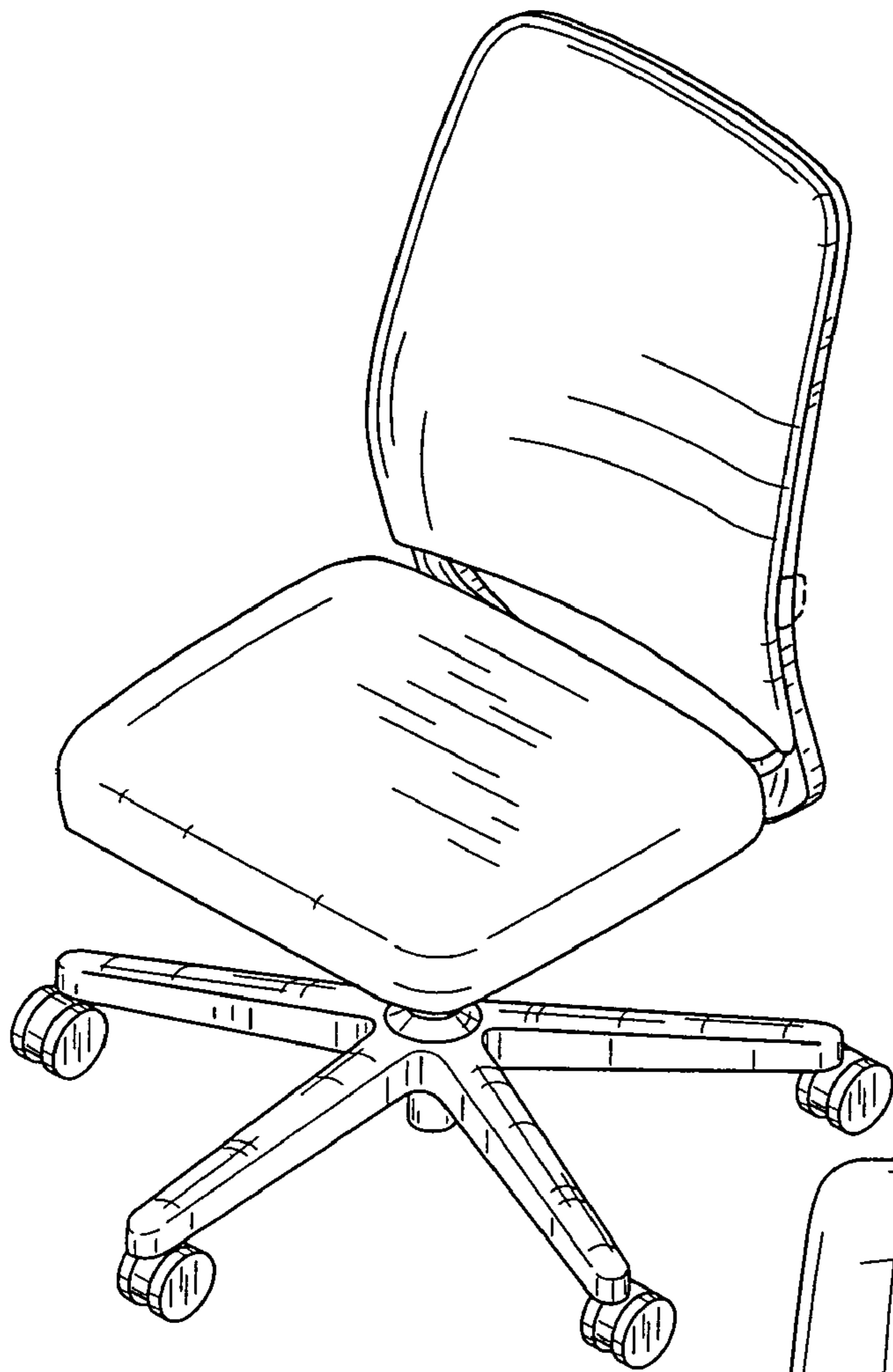


FIG. 7

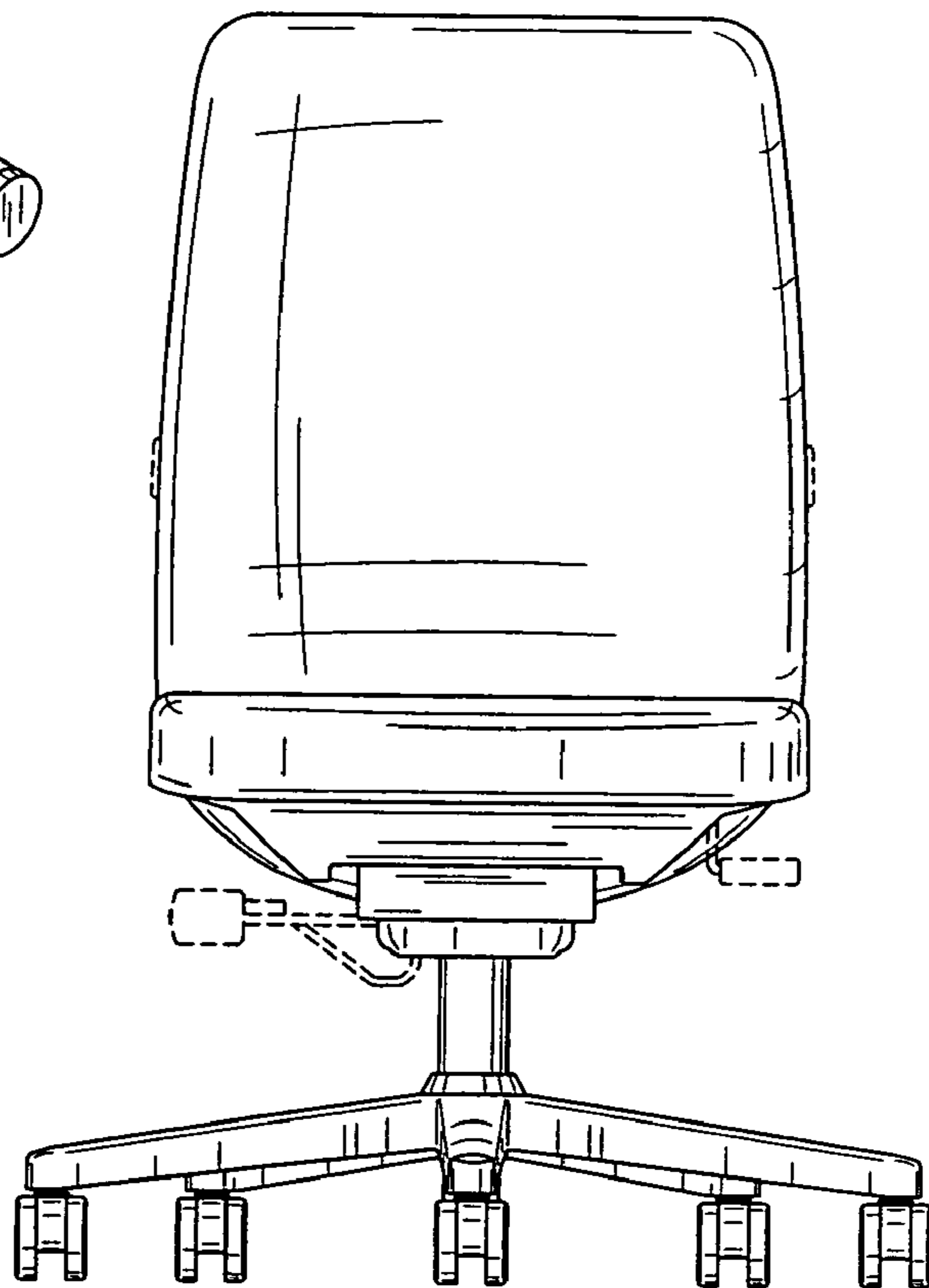


FIG. 8

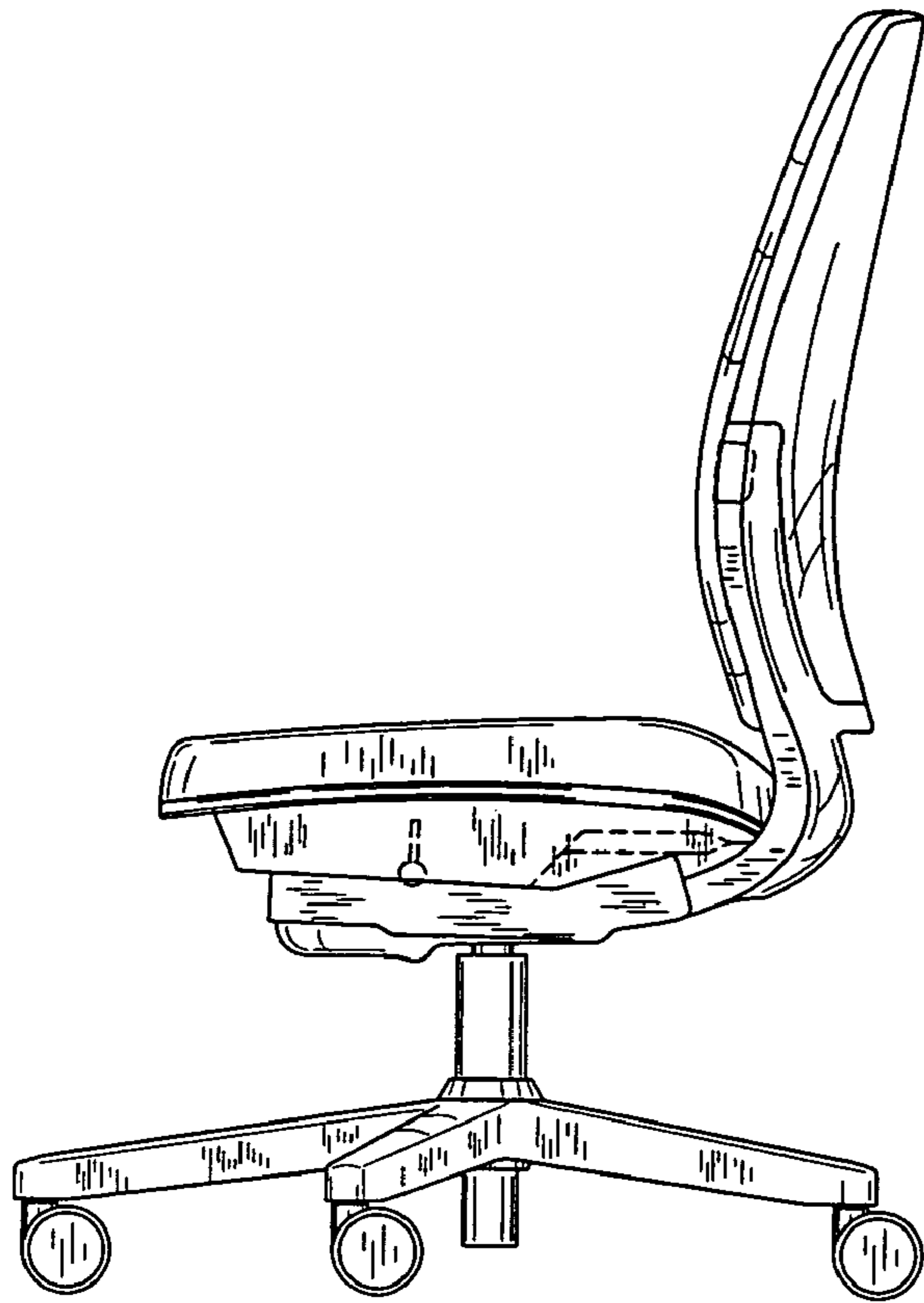


FIG. 9

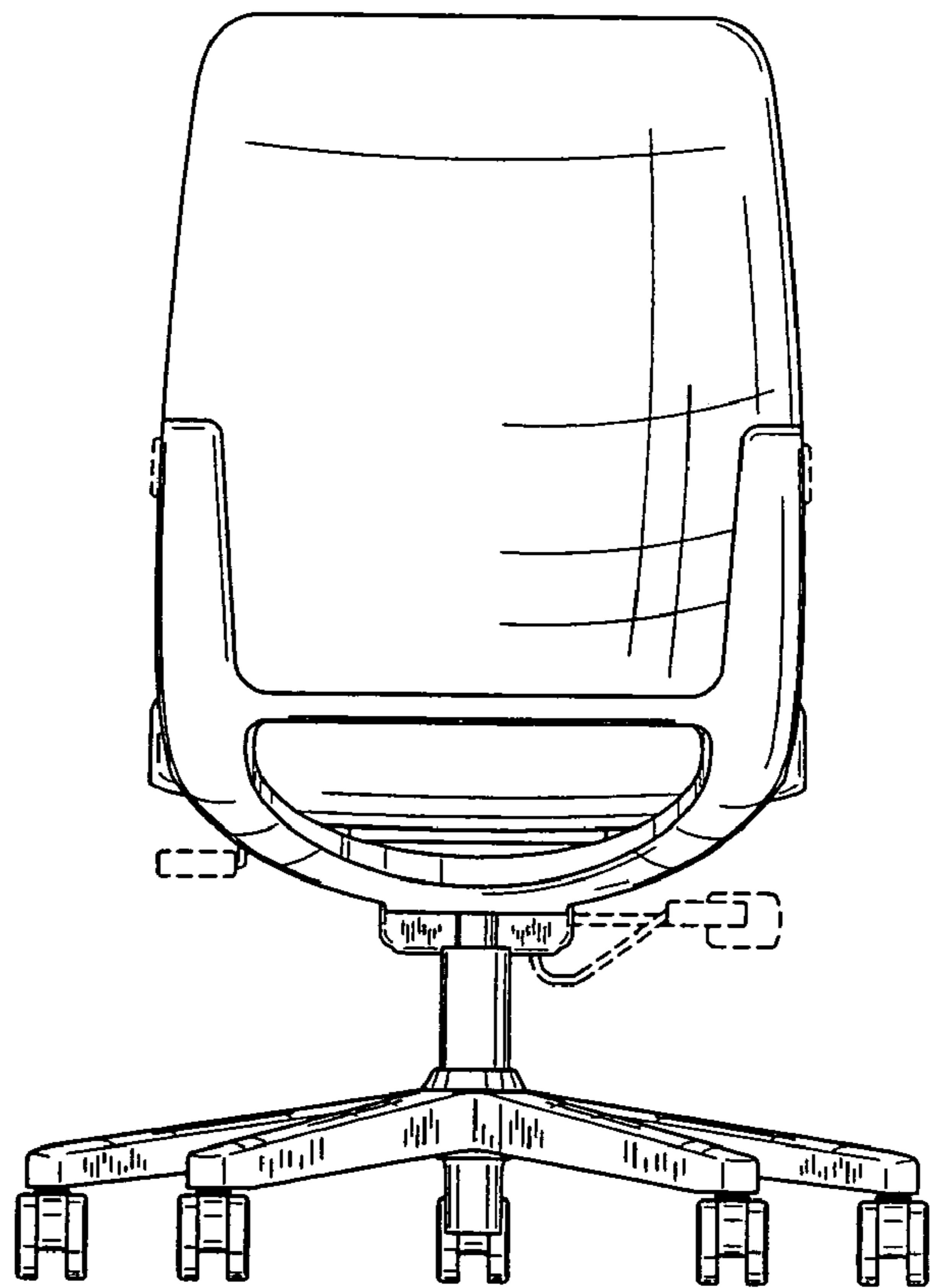


FIG. 10

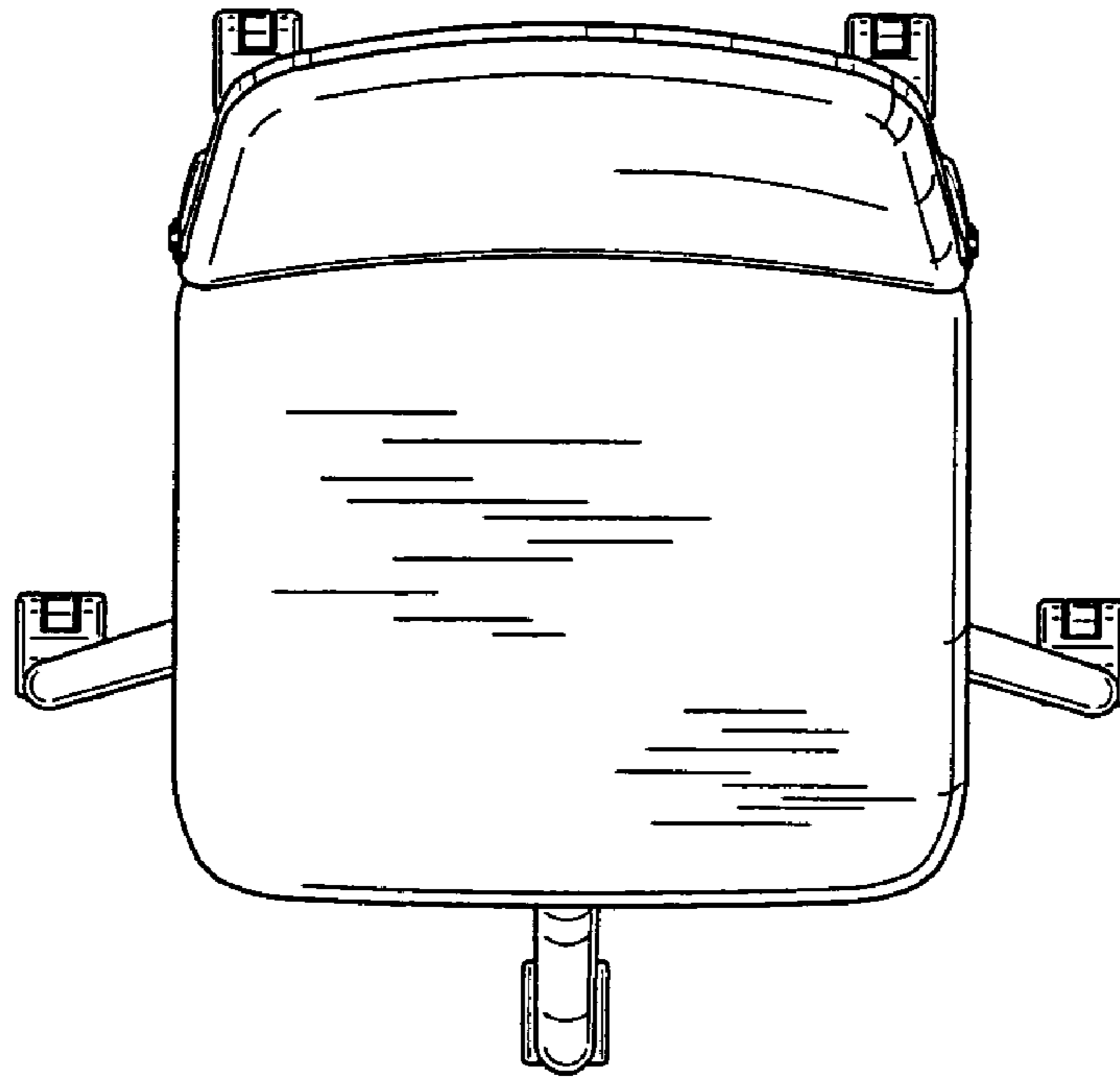


FIG. 11

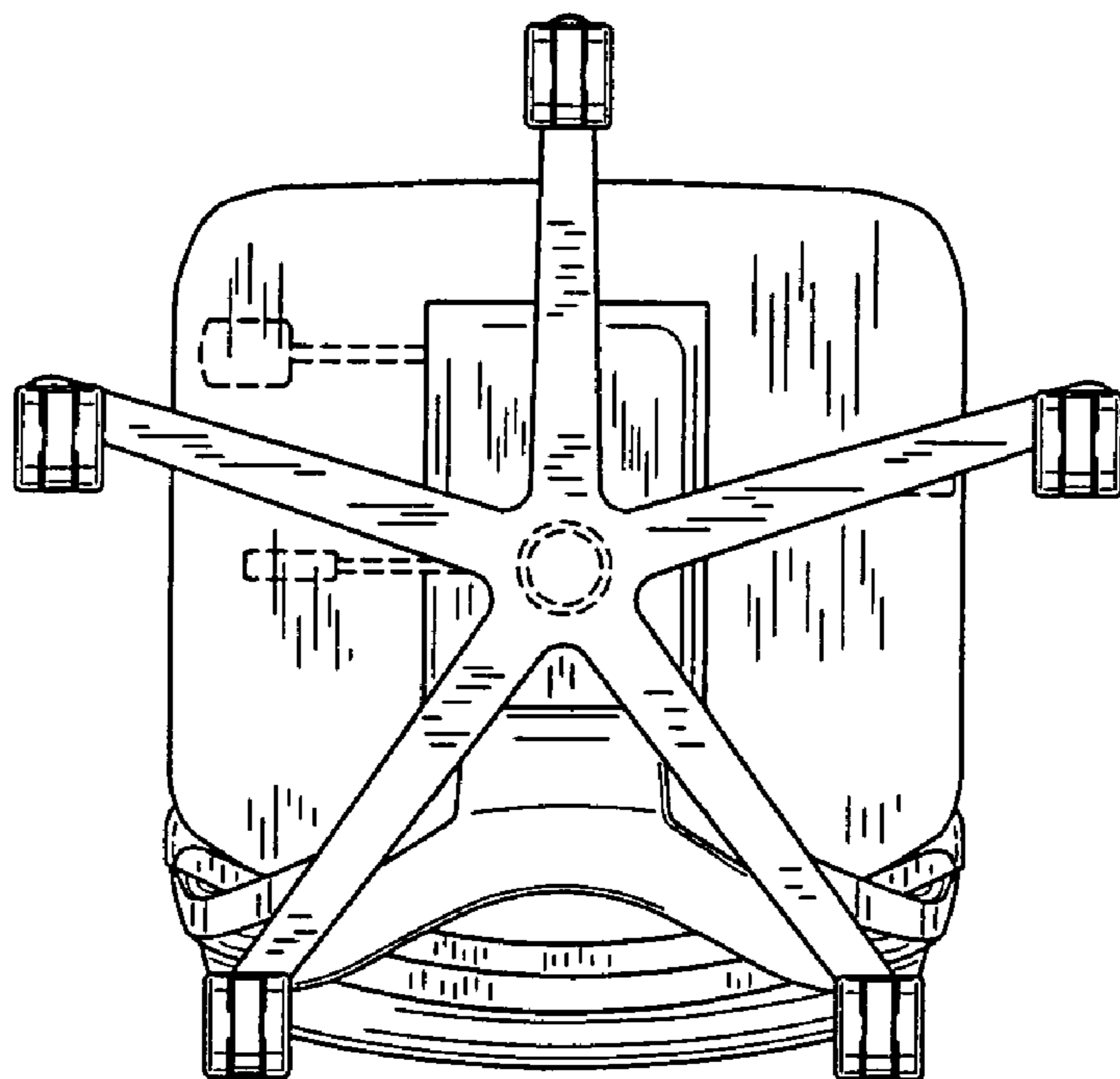


FIG. 12

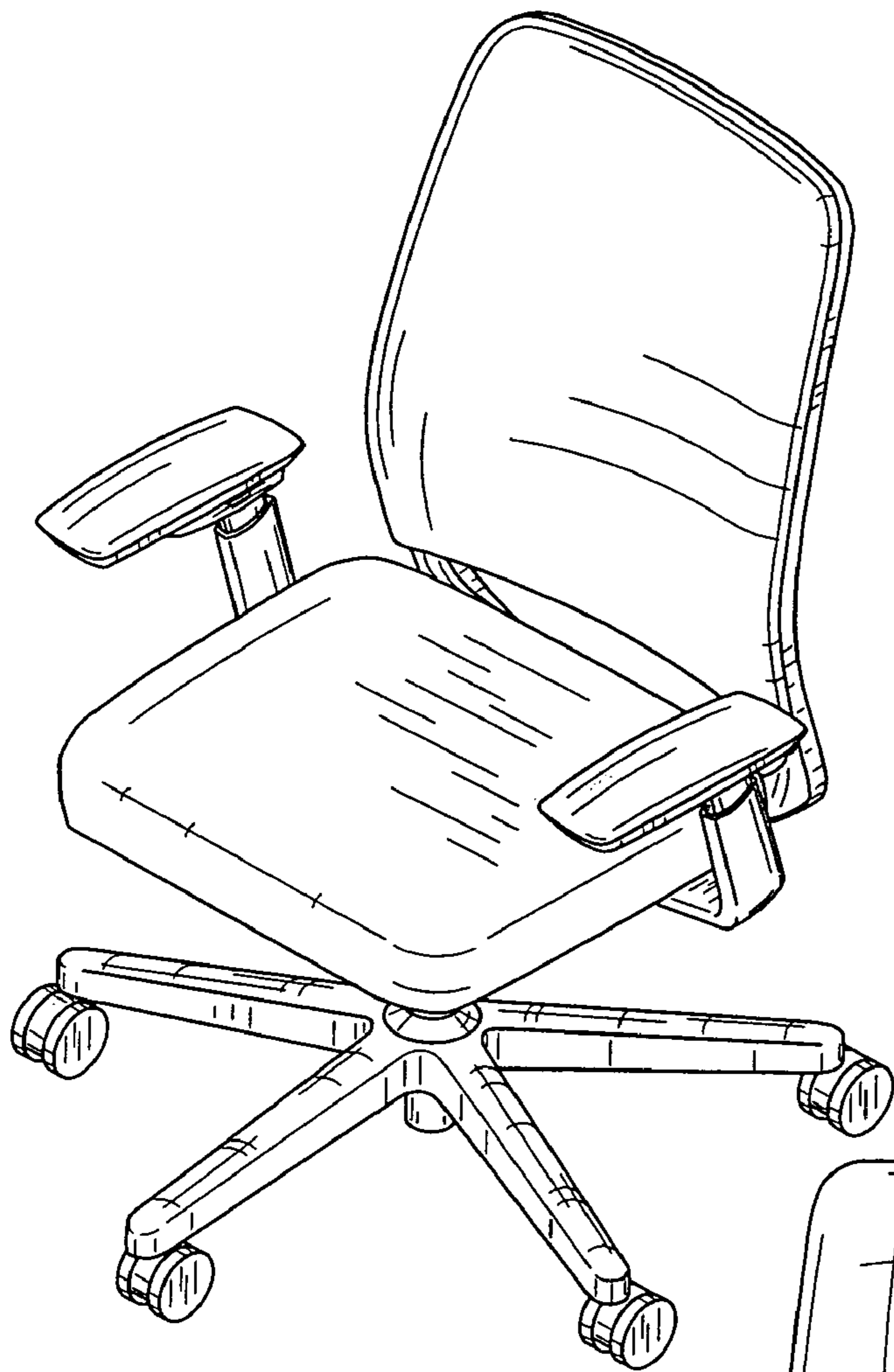


FIG. 13

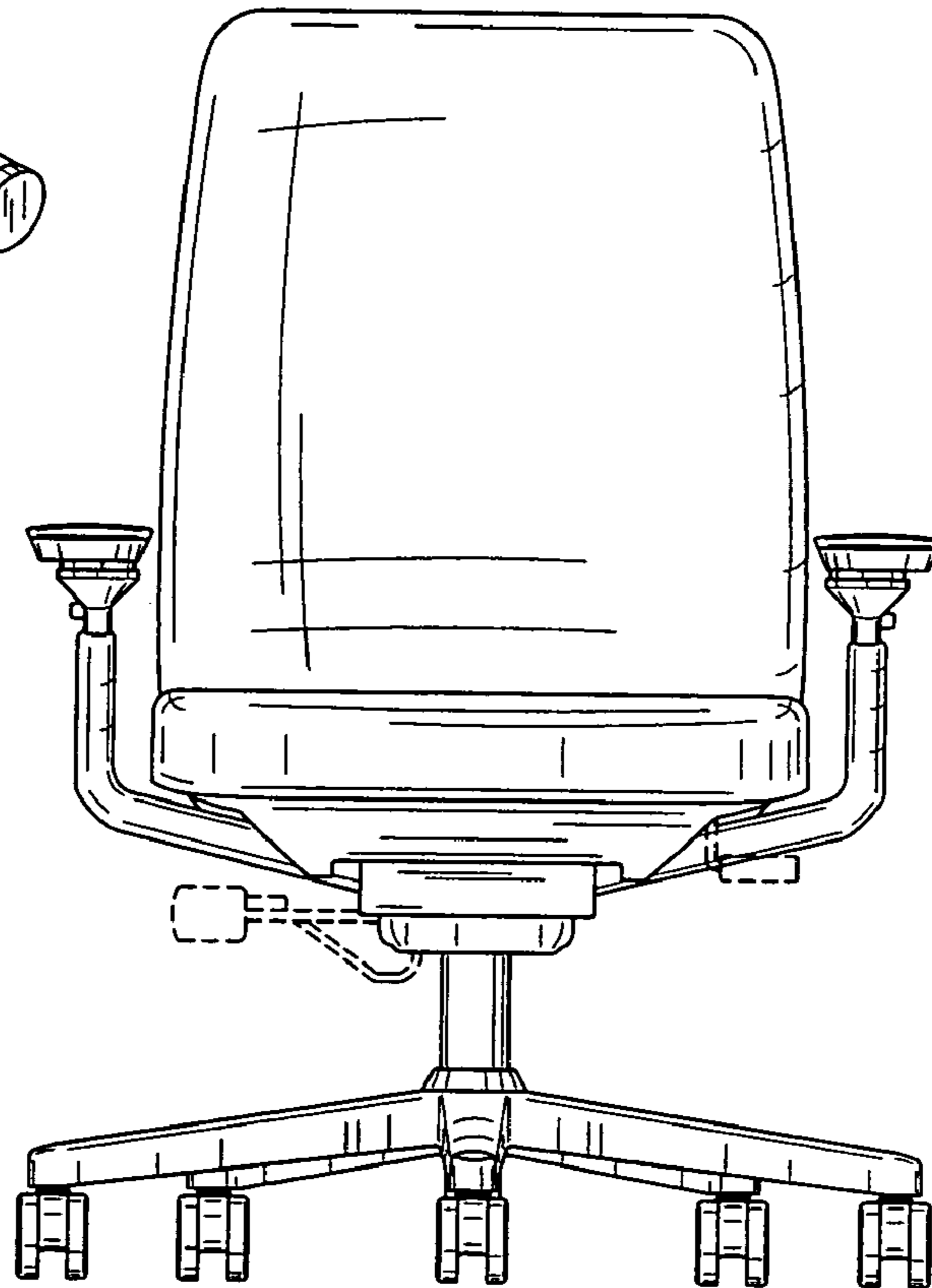


FIG. 14

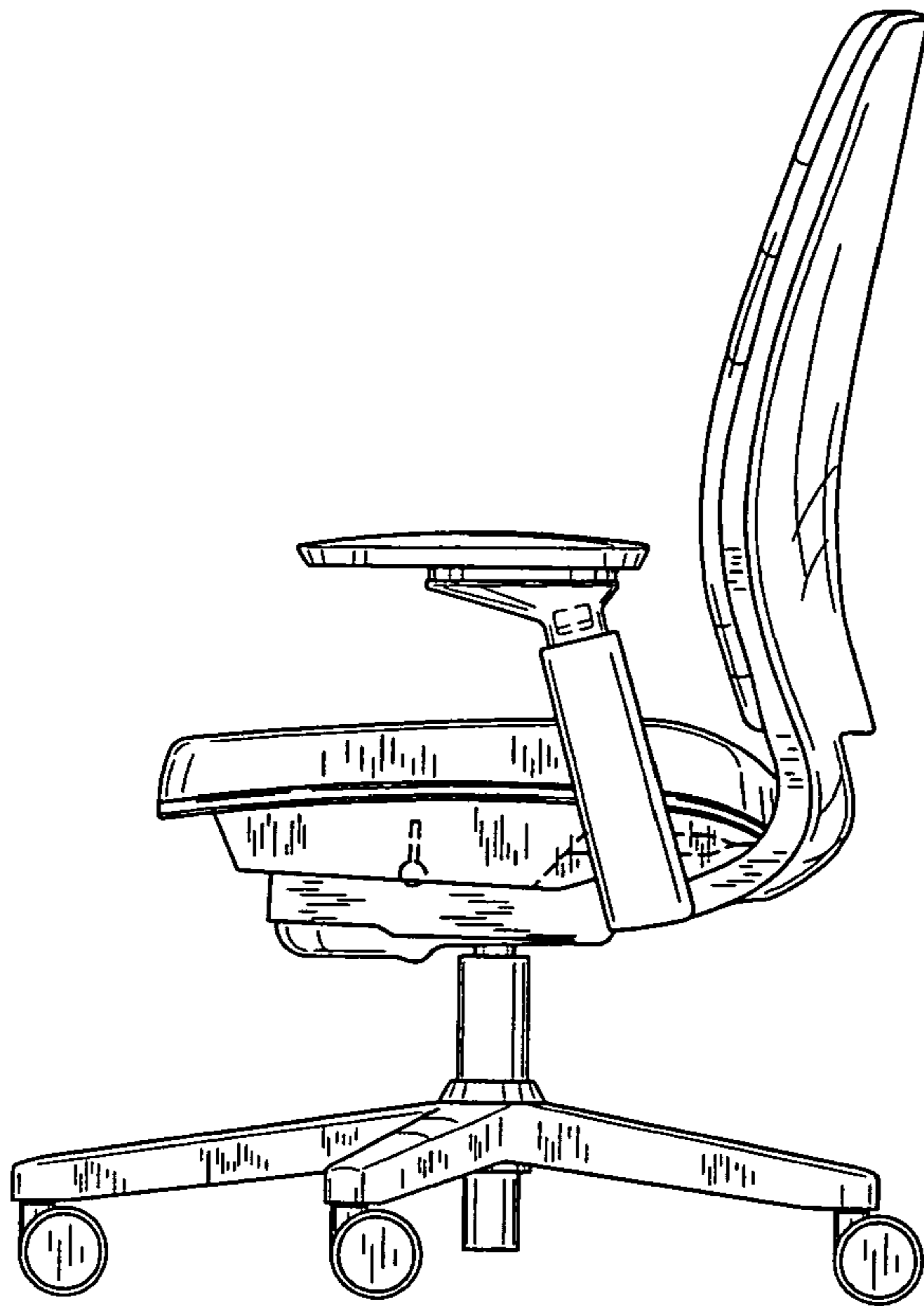


FIG. 15

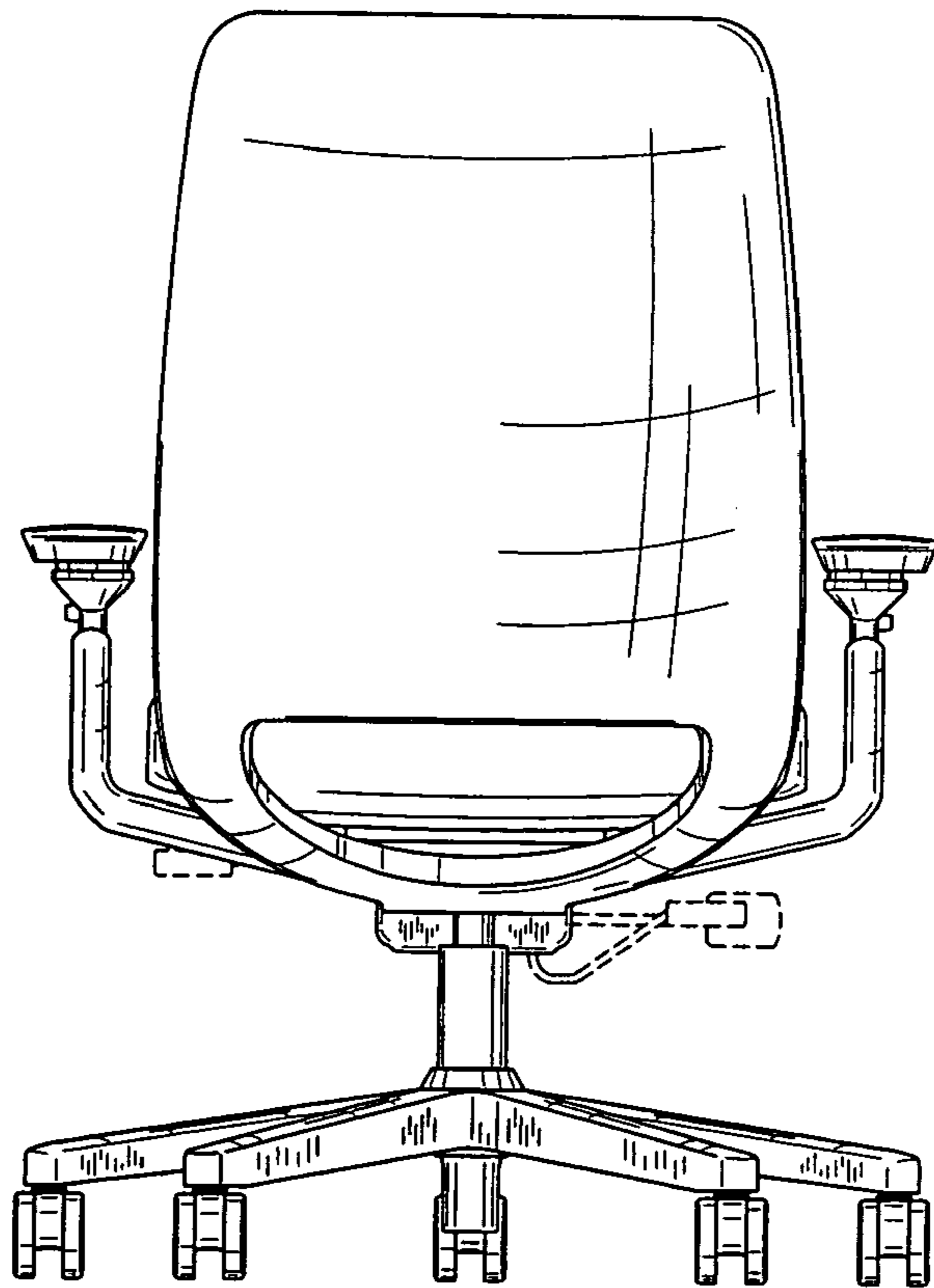


FIG. 16

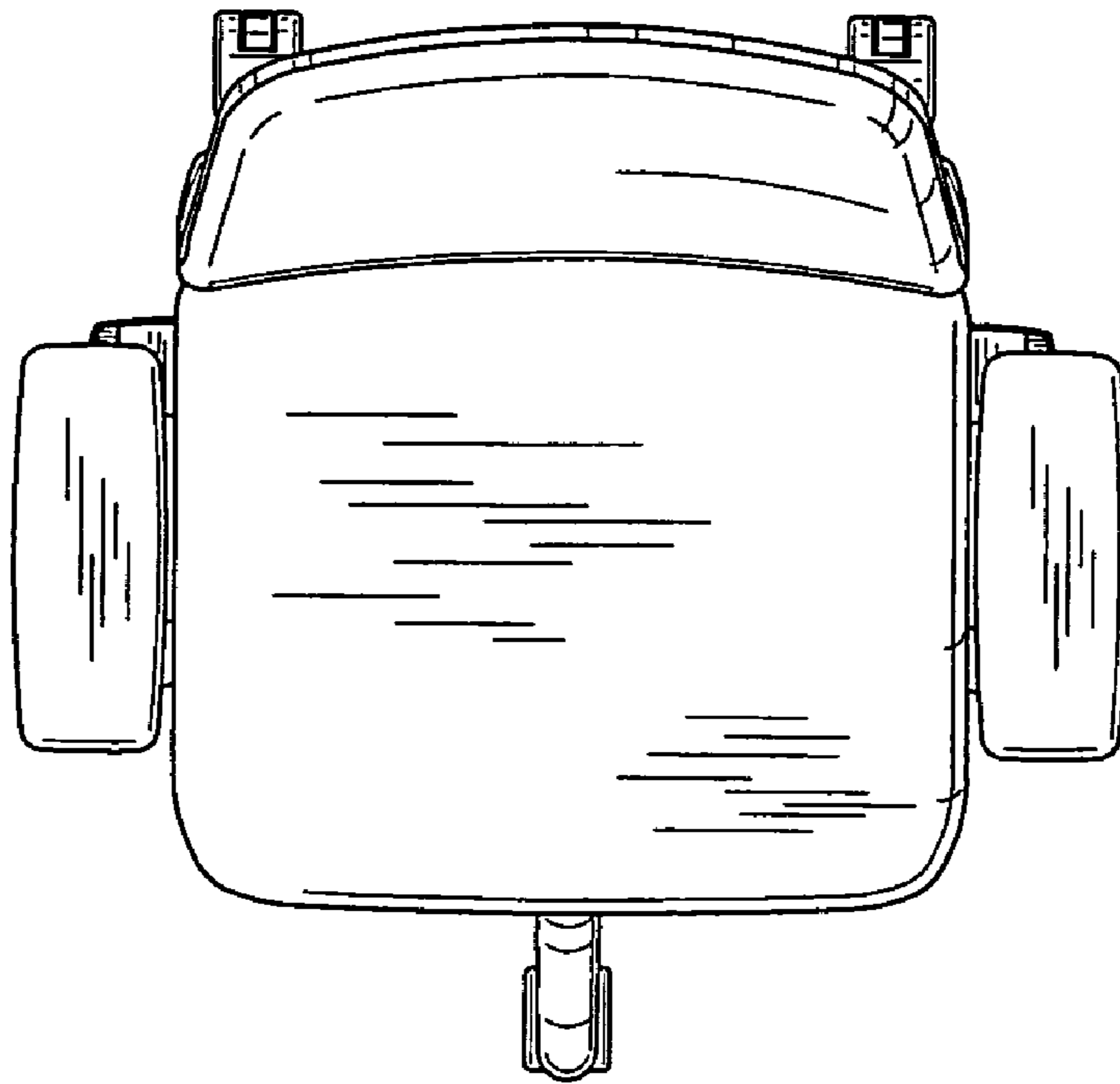


FIG. 17

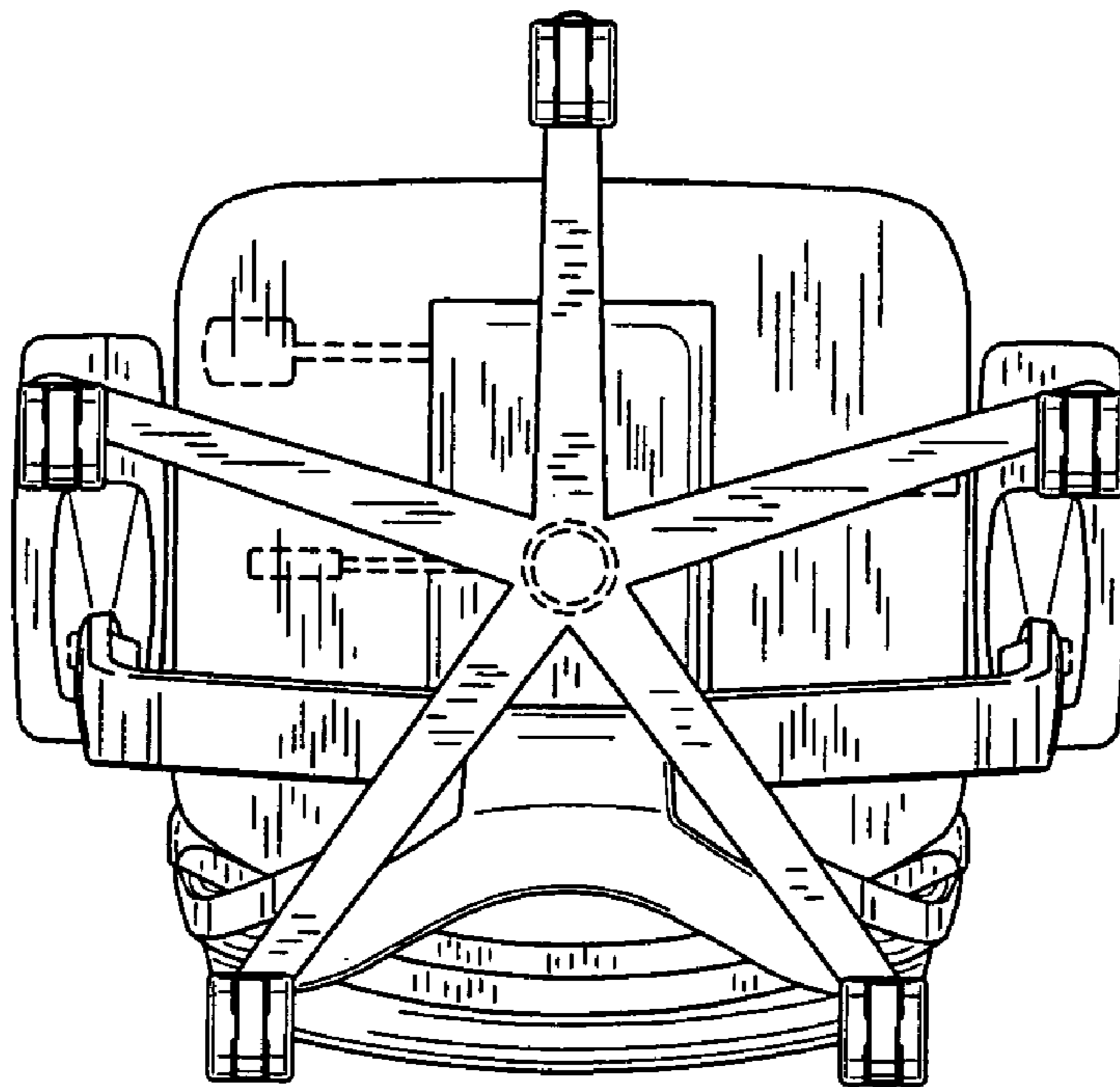


FIG. 18

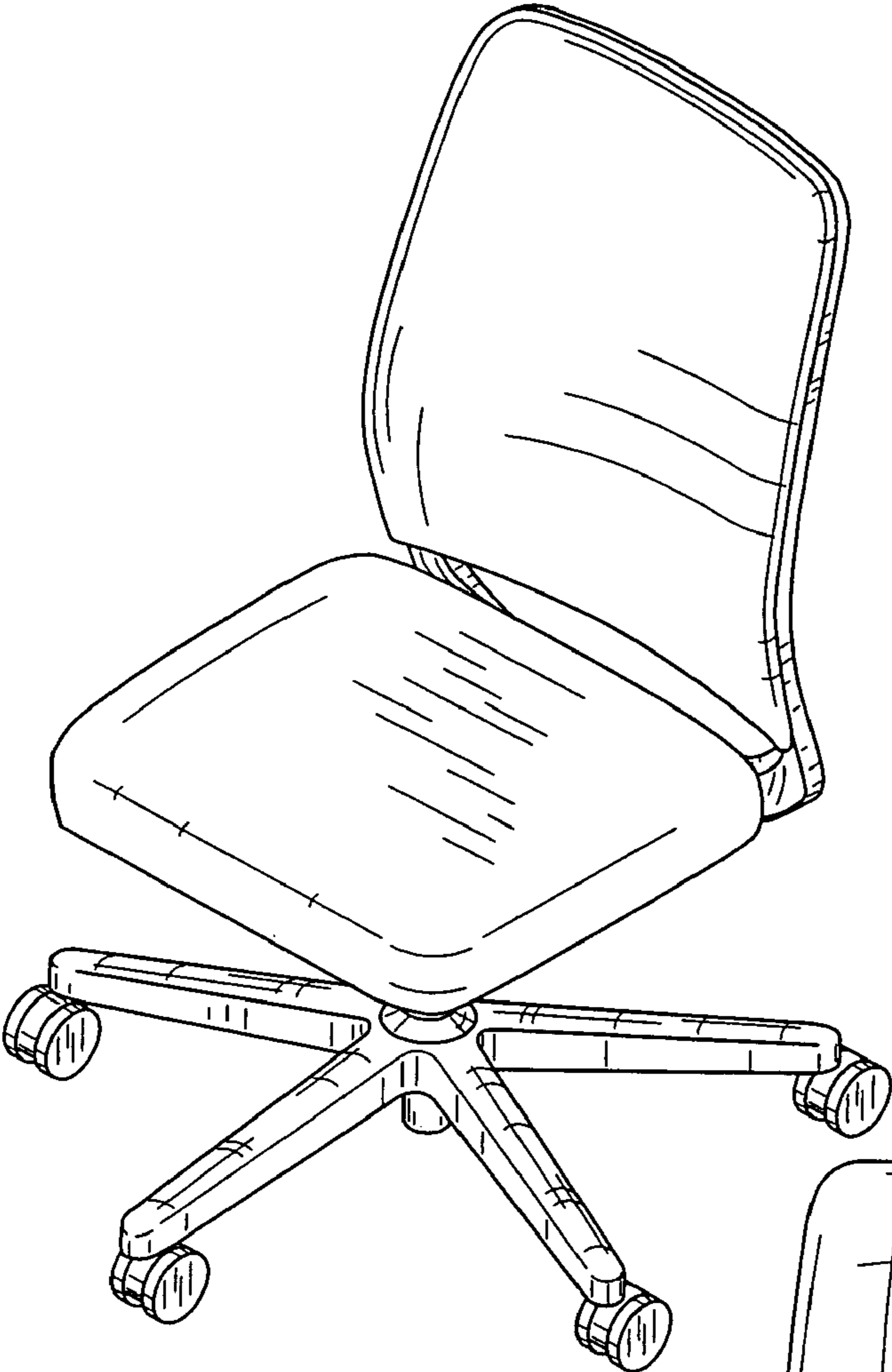


FIG. 19

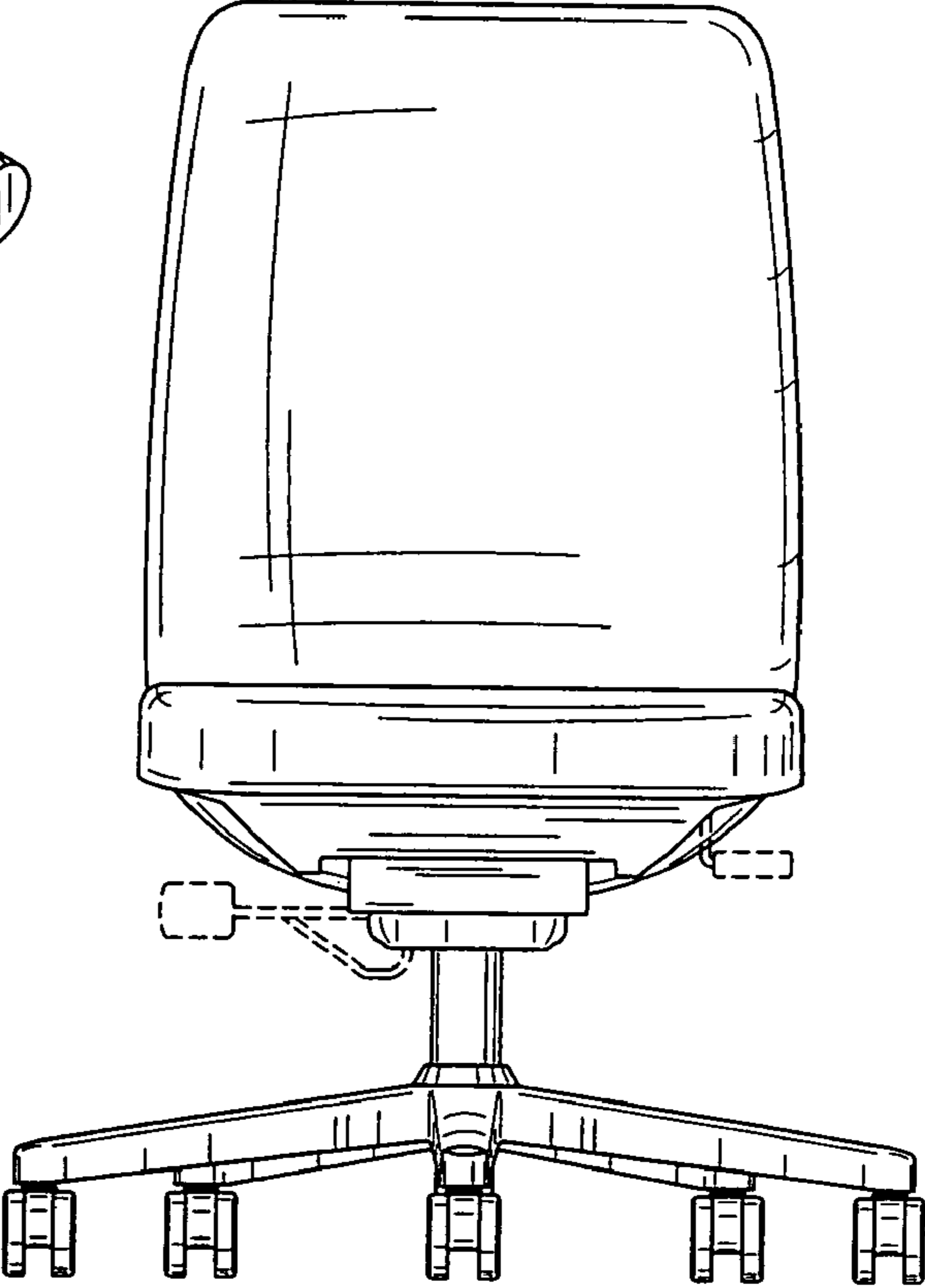


FIG. 20

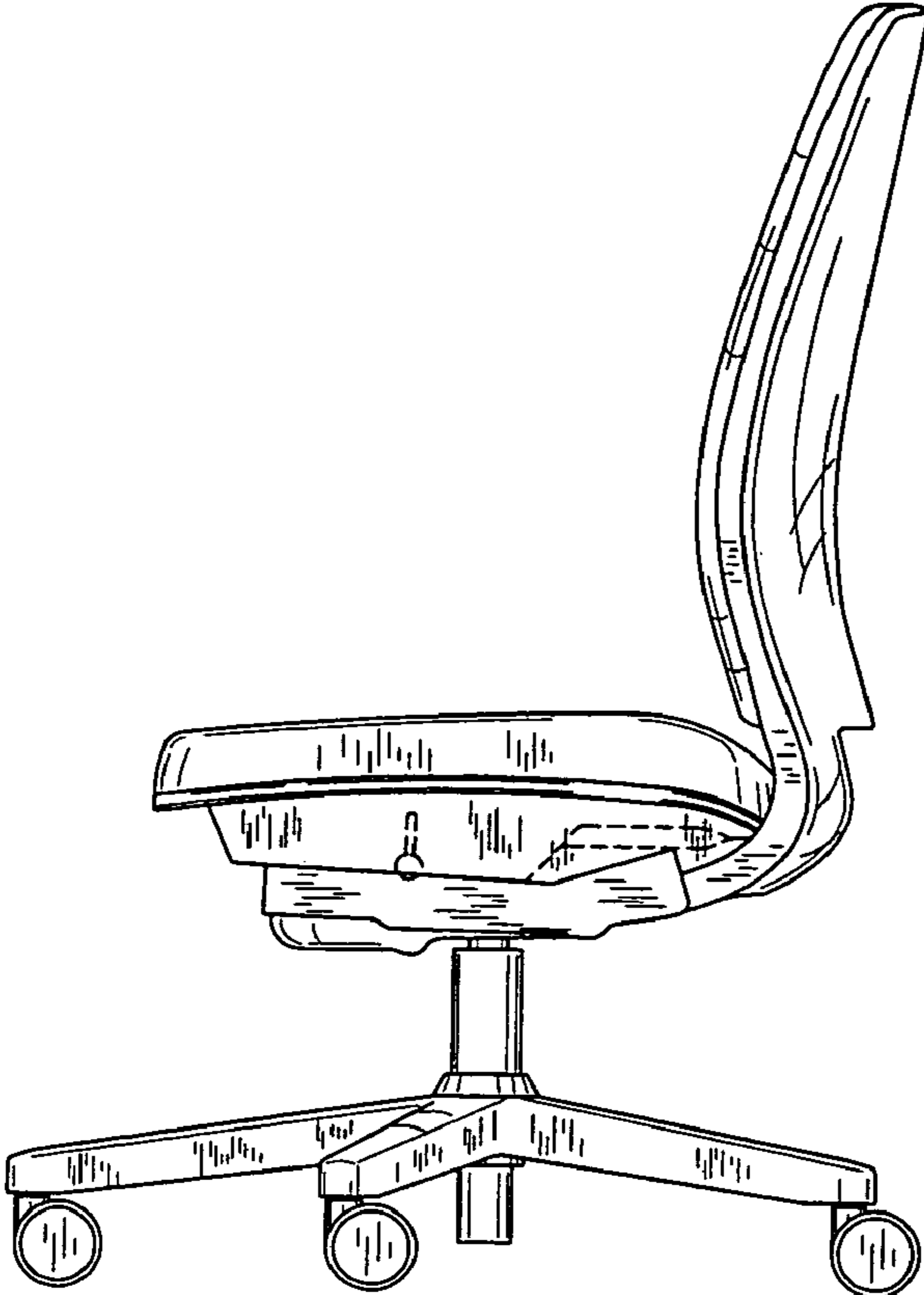


FIG. 21

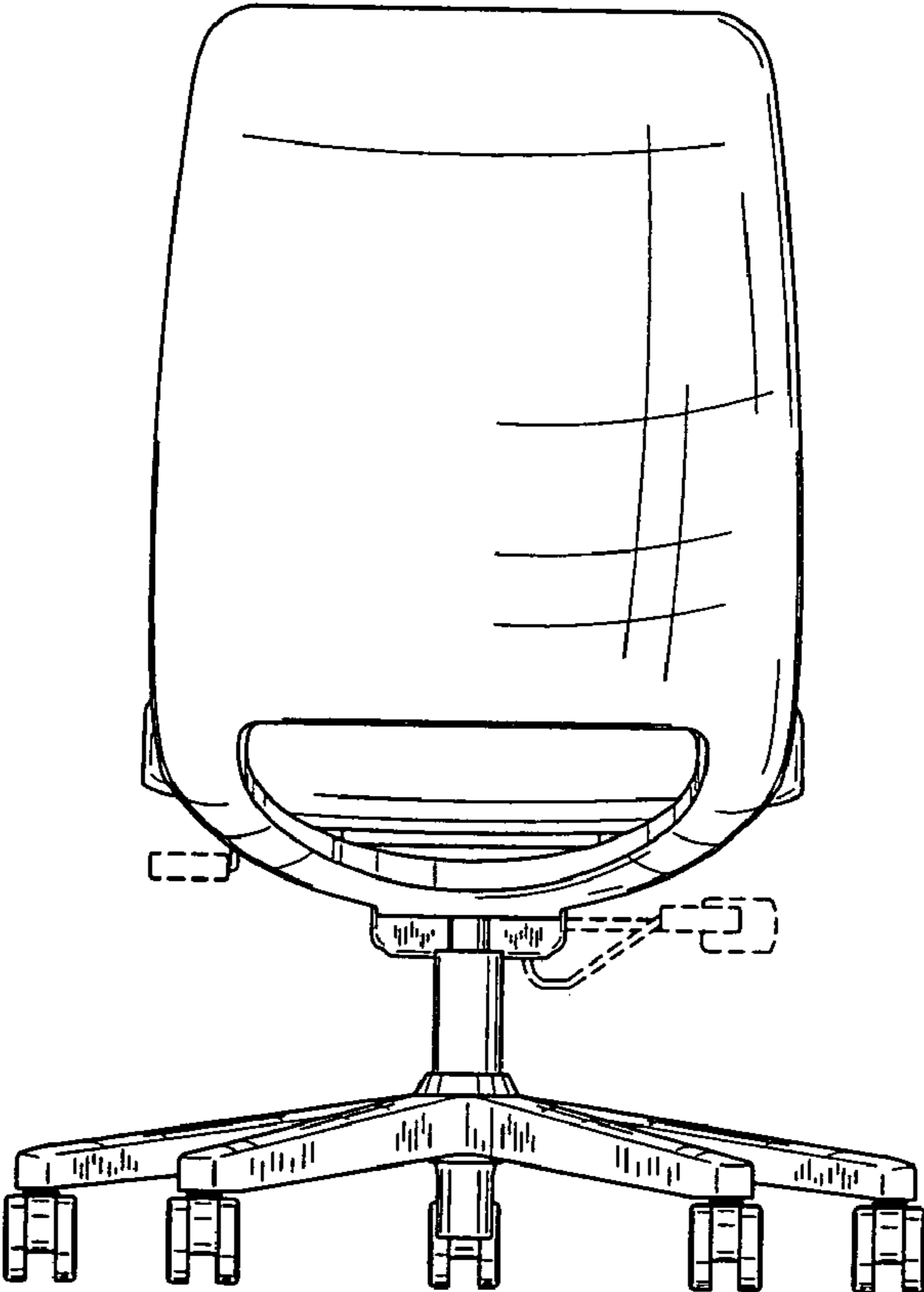


FIG. 22

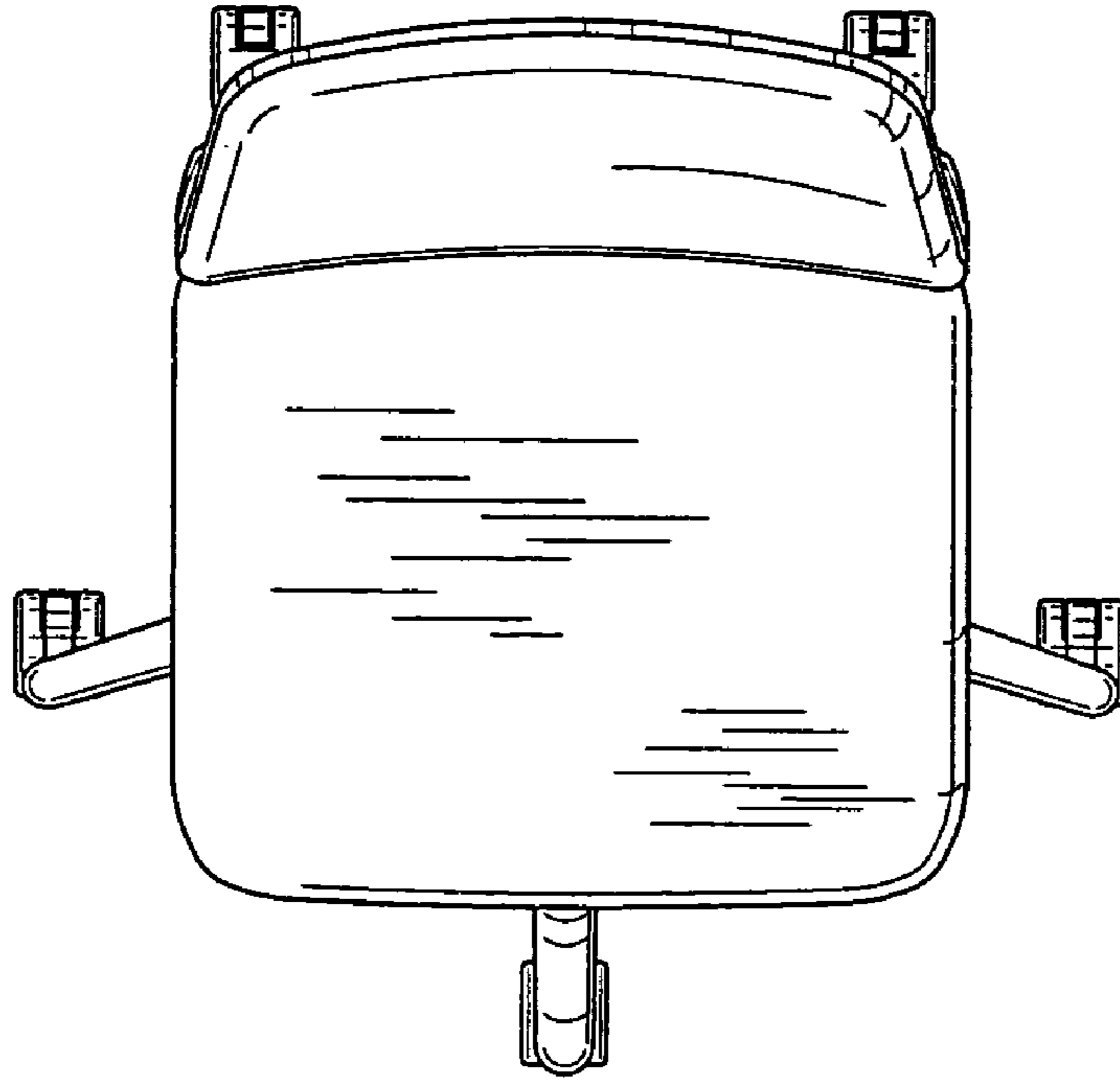


FIG. 23

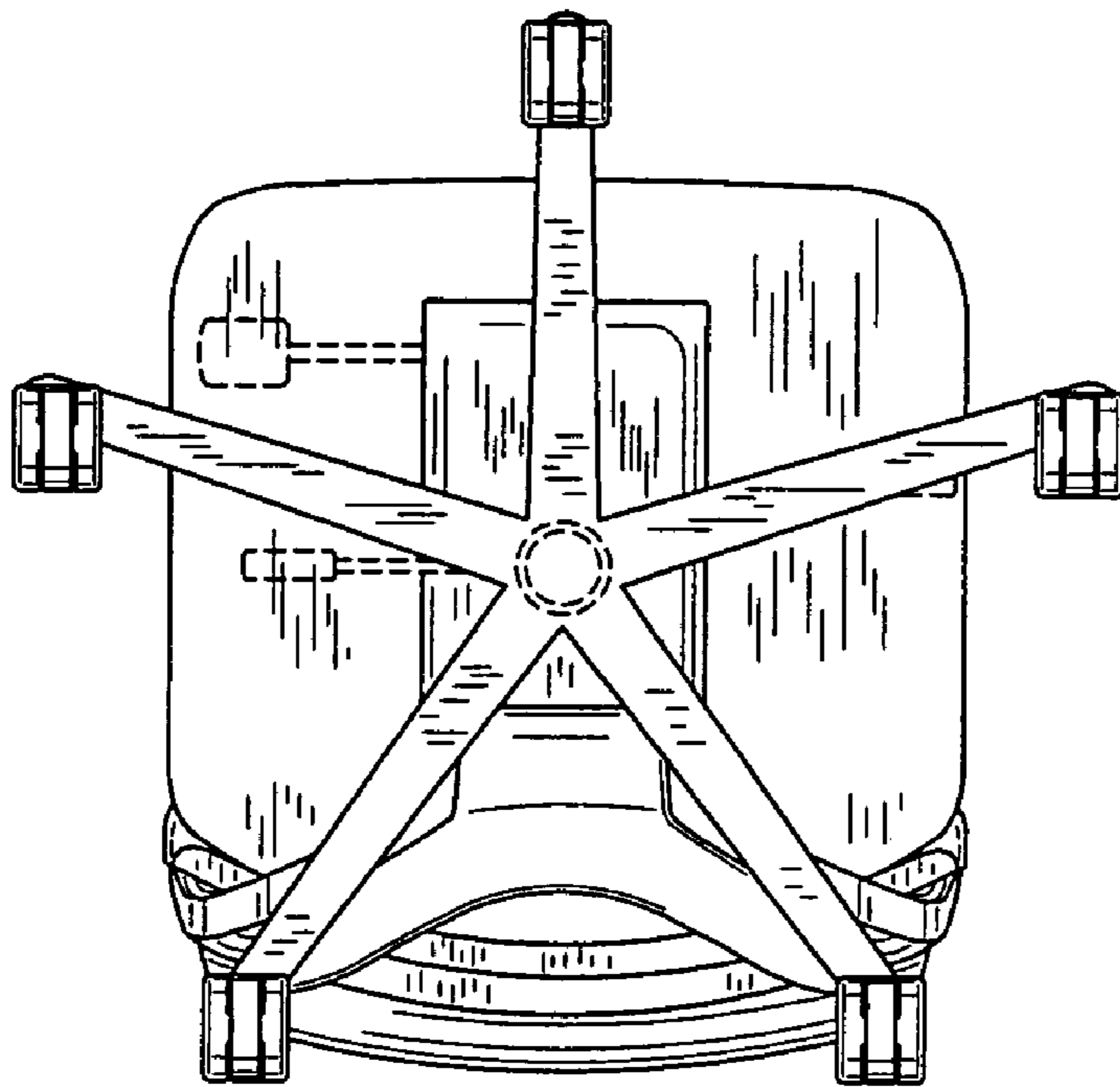


FIG. 24