



US00D571566S

(12) **United States Design Patent**  
**Patel et al.**

(10) **Patent No.:** **US D571,566 S**  
(45) **Date of Patent:** **\*\* Jun. 24, 2008**

(54) **MOBILE TABLE WITH SEATS**  
(75) Inventors: **Siddharth D. Patel**, Oak Park, IL (US);  
**Charles A. Pineau**, Chicago, IL (US)  
(73) Assignee: **Midwest Folding Products, Corp.**,  
Chicago, IL (US)  
(\*\*) Term: **14 Years**

D211,886 S *	8/1968	Benjamin	.....	D6/337
3,511,532 A *	5/1970	Tringali et al.	.....	297/158.4
3,715,143 A *	2/1973	Gerken et al.	.....	297/158.4
D268,971 S *	5/1983	Reineman	.....	D6/337
D367,772 S *	3/1996	Stirling et al.	.....	D6/337
D505,022 S *	5/2005	Mills et al.	.....	D6/338
D513,892 S *	1/2006	Glass et al.	.....	D6/338
D514,829 S *	2/2006	Glass et al.	.....	D6/336
D521,750 S *	5/2006	Glass et al.	.....	D6/336
D542,039 S *	5/2007	Glass et al.	.....	D6/335

(21) Appl. No.: **29/273,139**

\* cited by examiner

(22) Filed: **Feb. 27, 2007**

*Primary Examiner*—Sandra Snapp

(51) **LOC (8) Cl.** ..... **06-01**

(74) *Attorney, Agent, or Firm*—McDermott Will & Emery LLP

(52) **U.S. Cl.** ..... **D6/337**

(58) **Field of Classification Search** ..... D6/334–338,  
D6/360, 367, 374, 375, 482, 491, 495, 500–502;  
297/83, 157.1, 158.3, 170, 184.16, 188.14,  
297/244, 423.19; 5/12.1, 12.2

(57) **CLAIM**

The ornamental design for a mobile table with seats, as shown.

See application file for complete search history.

**DESCRIPTION**

(56) **References Cited**

FIG. 1 is a top plan view of the design of the present invention;  
FIG. 2 is a bottom plan view of the design of FIG. 1;  
FIG. 3 is a perspective view of the design of FIG. 1; and,  
FIG. 4 is a side view of the design of FIG. 1.

**U.S. PATENT DOCUMENTS**

3,055,705 A *	9/1962	Wilson	.....	297/159.1
3,075,809 A *	1/1963	Wilson	.....	297/158.4
3,099,481 A *	7/1963	Bue	.....	297/158.4
3,226,154 A *	12/1965	Allen	.....	297/142
D209,758 S *	1/1968	Blink	.....	D6/337

**1 Claim, 4 Drawing Sheets**

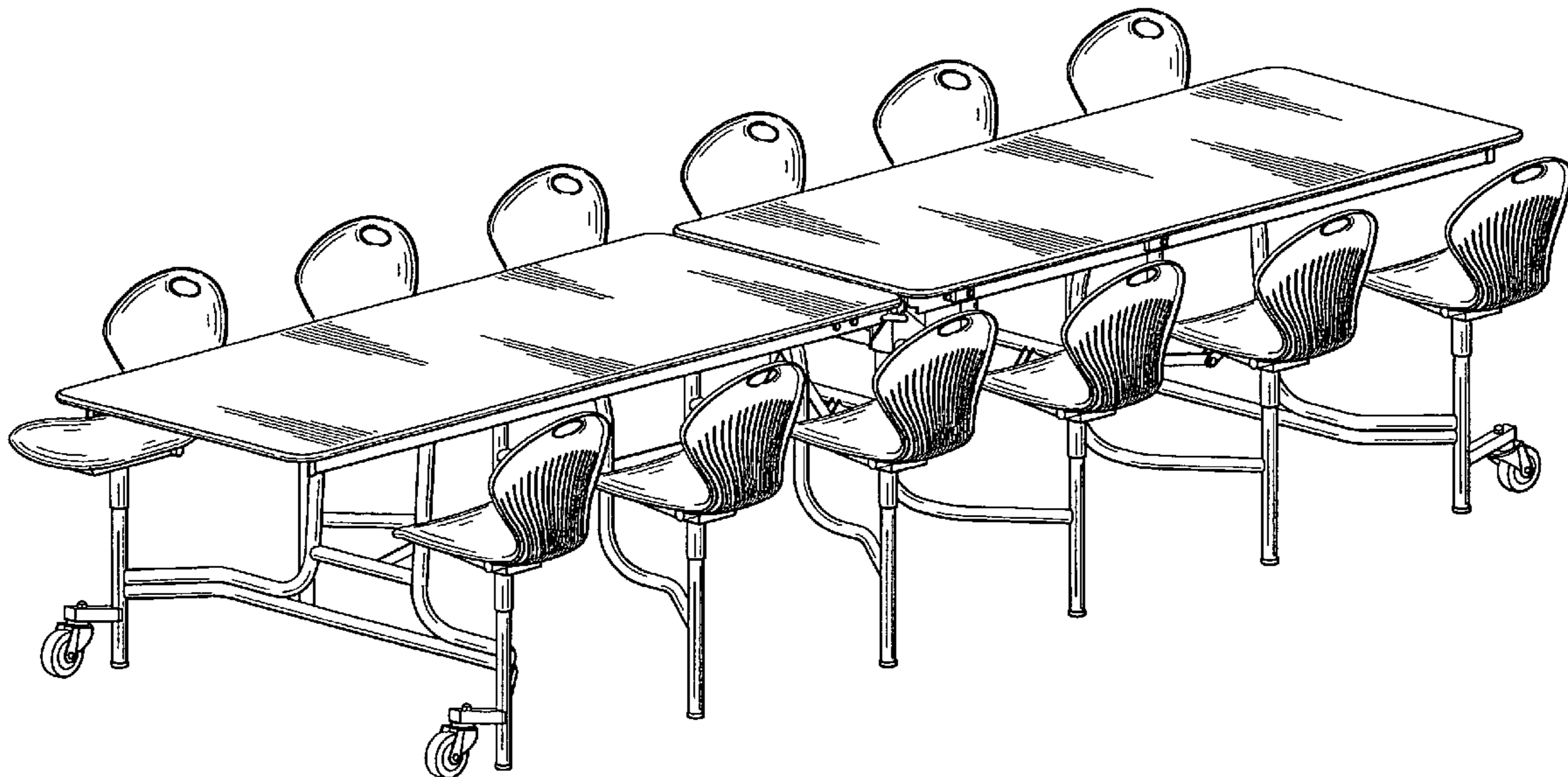


FIG. 1

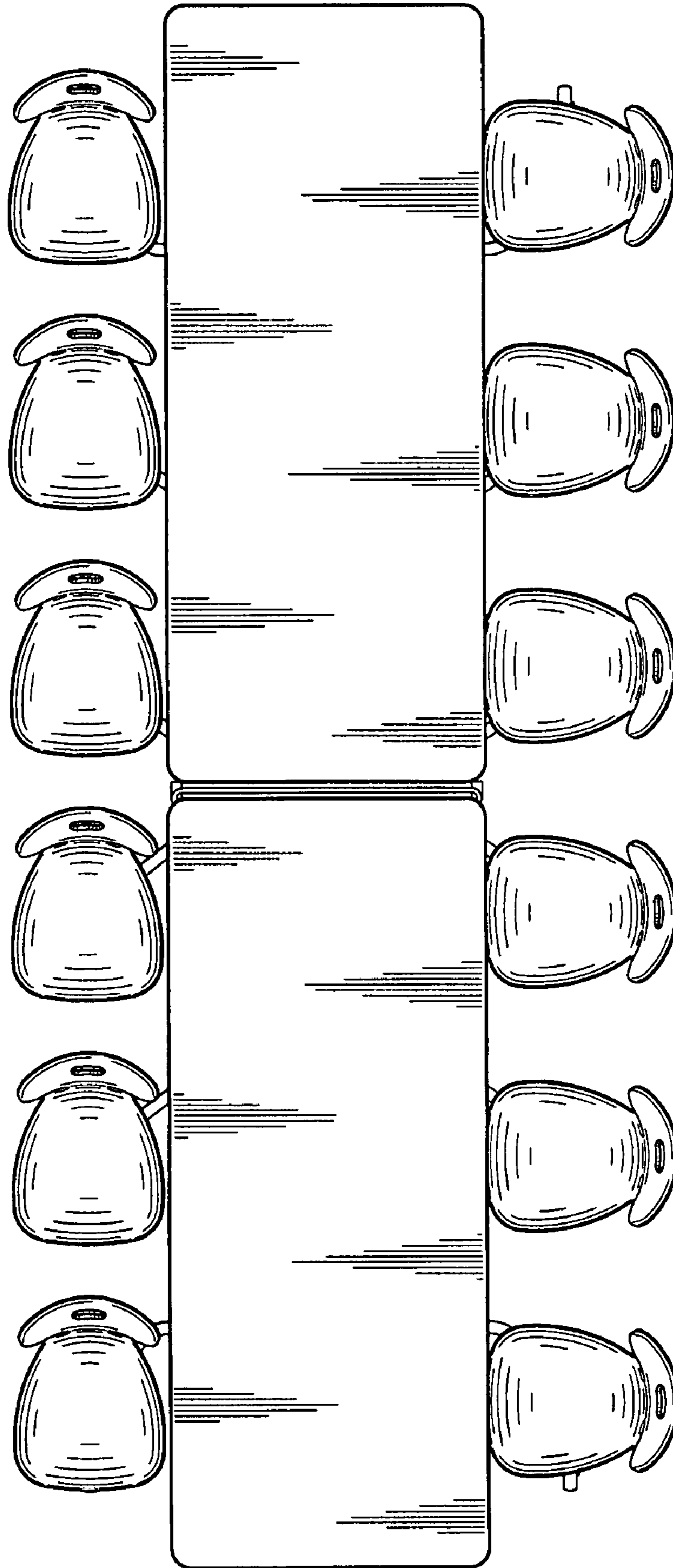
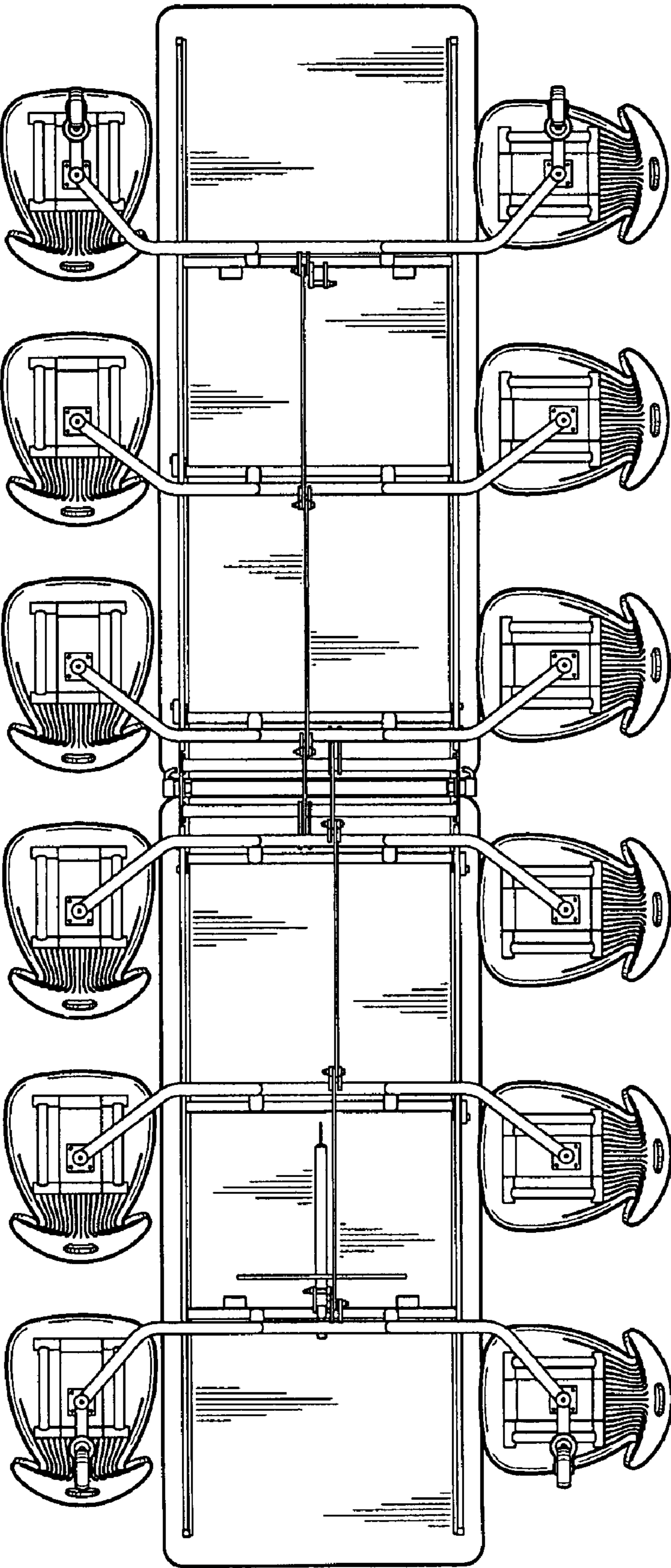


FIG. 2



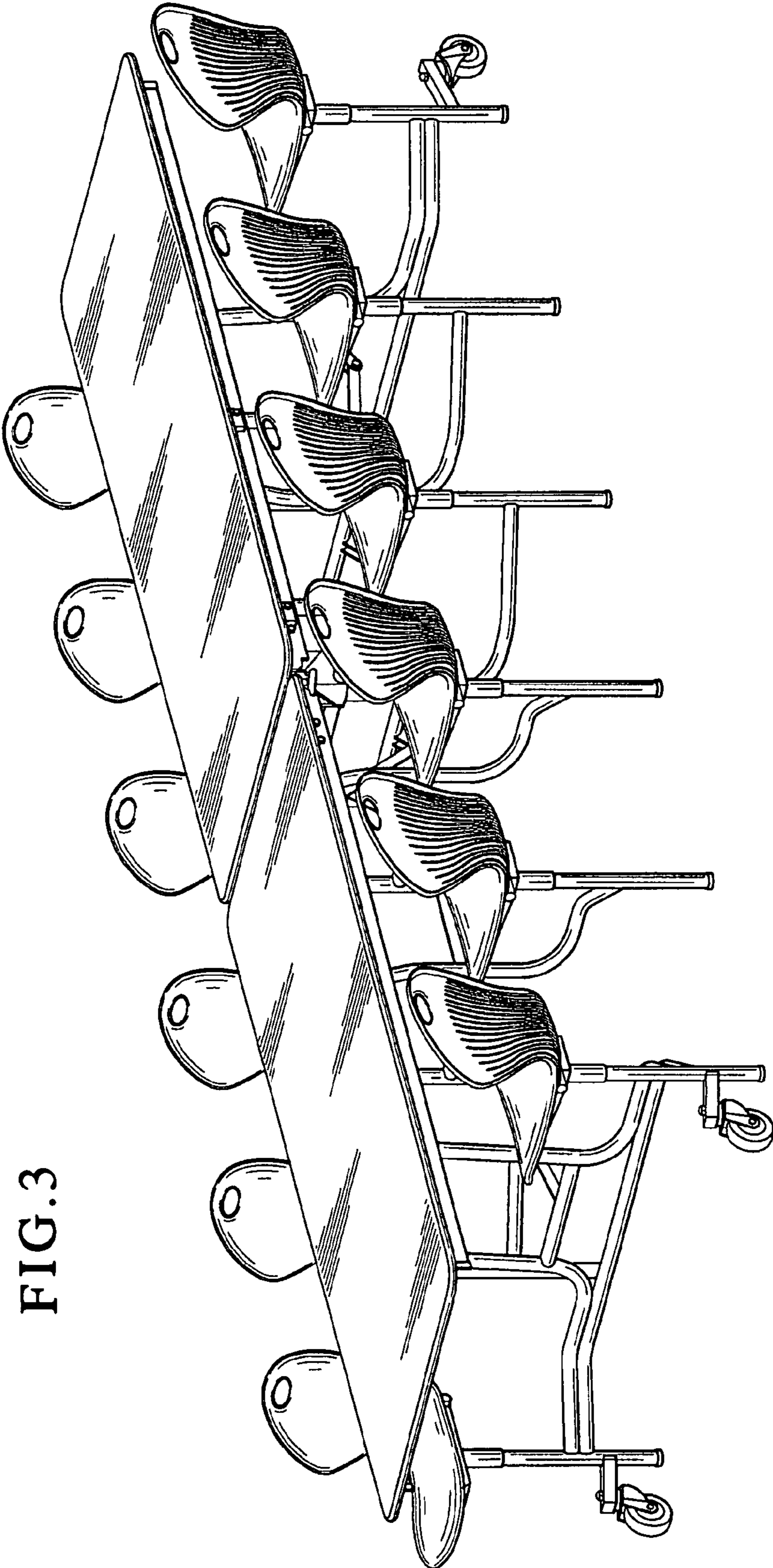


FIG. 3

FIG. 4

