

US00D571565S

(12) **United States Design Patent**  
**Cheng**

(10) **Patent No.:** **US D571,565 S**  
(45) **Date of Patent:** **\*\* Jun. 24, 2008**

(54) **FOOT SPA CHAIR**

(76) Inventor: **Hsien-Yang Cheng**, No. 14, Alley 10,  
Lane 136, Sec. 3, Jhongshan Rd.,  
Jhonghe City, Taipei Hsien (TW)

(\*\*) Term: **14 Years**

(21) Appl. No.: **29/287,397**

(22) Filed: **Jul. 31, 2007**

(51) **LOC (8) Cl.** ..... **06-01**

(52) **U.S. Cl.** ..... **D6/336**

(58) **Field of Classification Search** ..... D6/334-338,  
D6/360, 367, 374, 375, 482, 491, 495, 500-502,  
D6/357, 364; 297/83, 157.1, 158.3, 170,  
297/184.16, 188.14, 244, 423.19; 5/12.1,  
5/12.2

See application file for complete search history.

(56) **References Cited**

**U.S. PATENT DOCUMENTS**

D424,819 S \* 5/2000 Galati et al. .... D6/336  
D434,916 S \* 12/2000 Galati et al. .... D6/336  
D455,017 S \* 4/2002 Tran ..... D6/336  
D455,566 S \* 4/2002 Park ..... D6/336

D456,154 S \* 4/2002 Huynh et al. .... D6/336  
D504,783 S \* 5/2005 Park ..... D6/336  
D505,021 S \* 5/2005 Kim ..... D6/336  
D520,761 S \* 5/2006 Masuda ..... D6/336  
D541,060 S \* 4/2007 Fugate et al. .... D6/335

\* cited by examiner

*Primary Examiner*—Sandra Snapp

(74) *Attorney, Agent, or Firm*—Posz Law Group, PLC

(57) **CLAIM**

The ornamental design for a foot spa chair, as shown.

**DESCRIPTION**

FIG. 1 is a perspective view of a foot spa chair, showing my new design;

FIG. 2 is a front view thereof;

FIG. 3 is a rear view thereof;

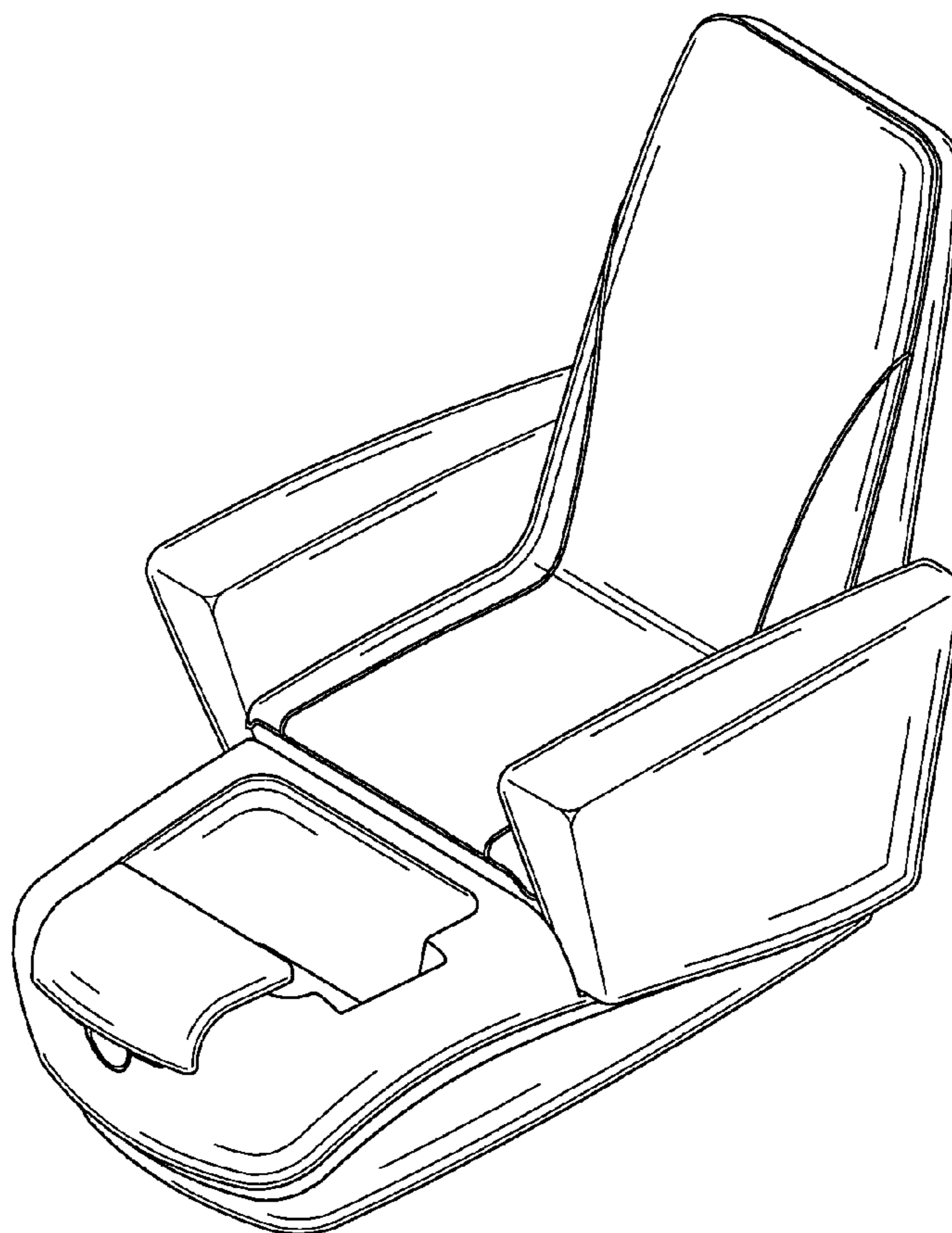
FIG. 4 is a left view thereof;

FIG. 5 is a right view thereof;

FIG. 6 is a top view thereof; and,

FIG. 7 is a bottom view thereof.

**1 Claim, 7 Drawing Sheets**



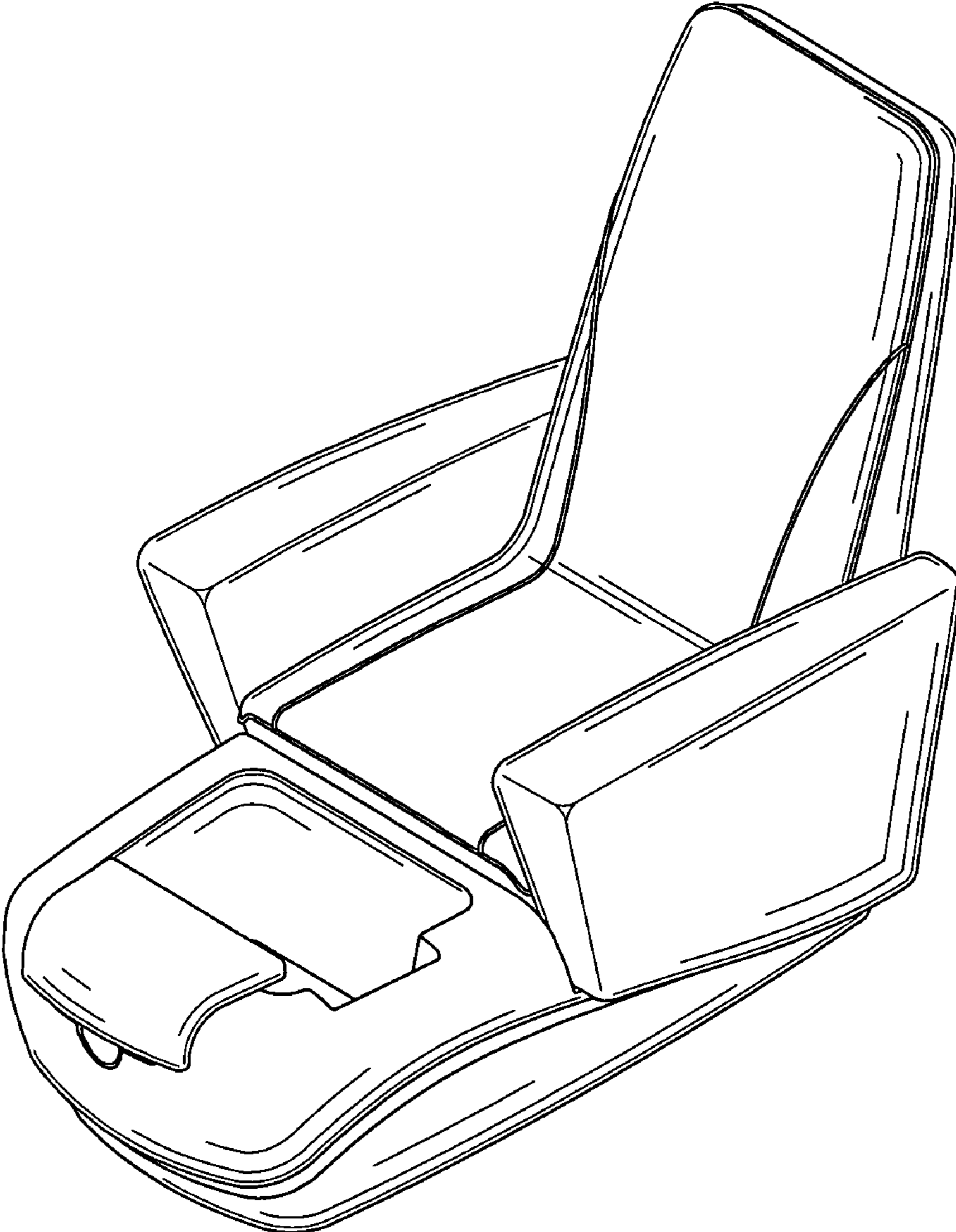


FIG.1

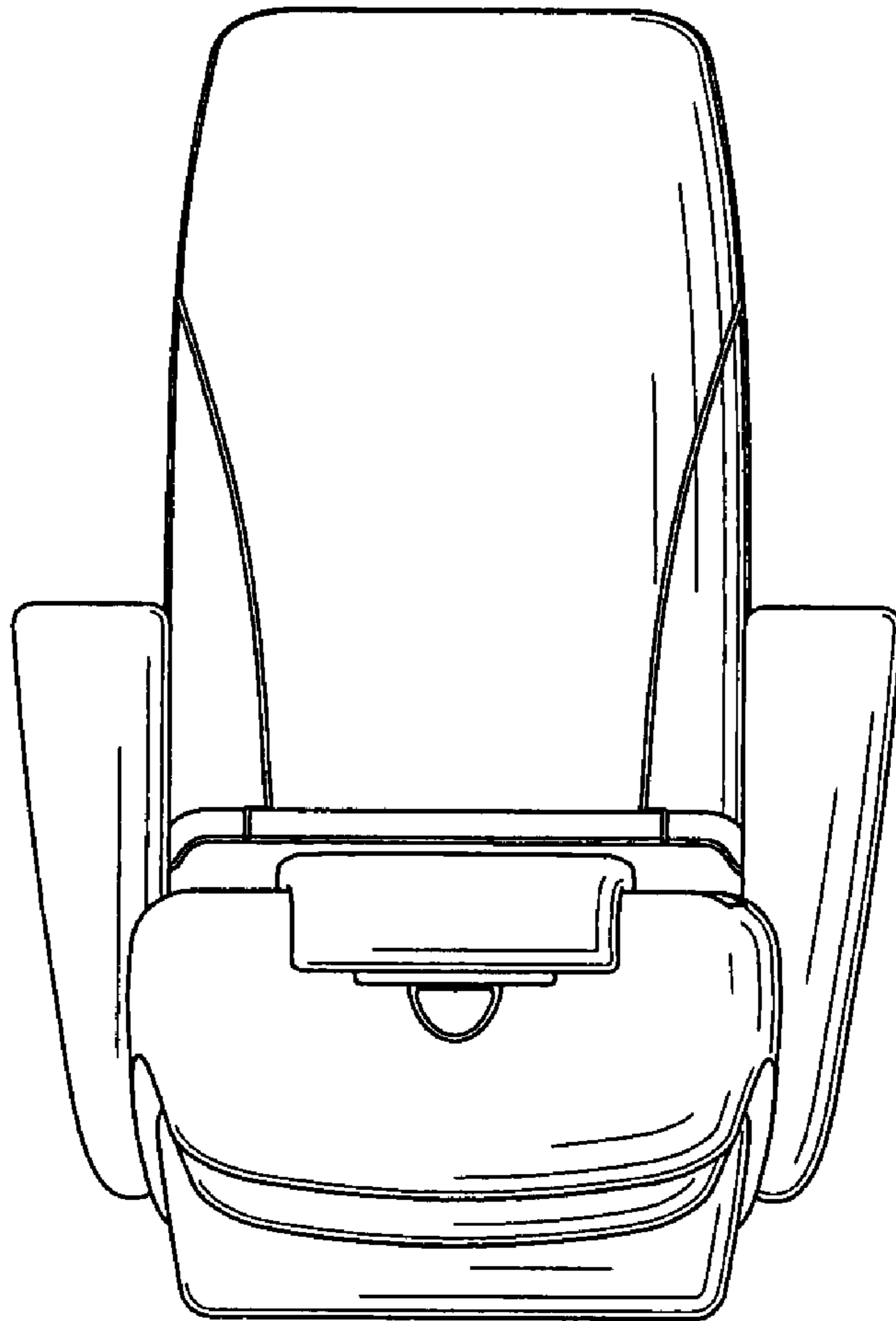


FIG.2

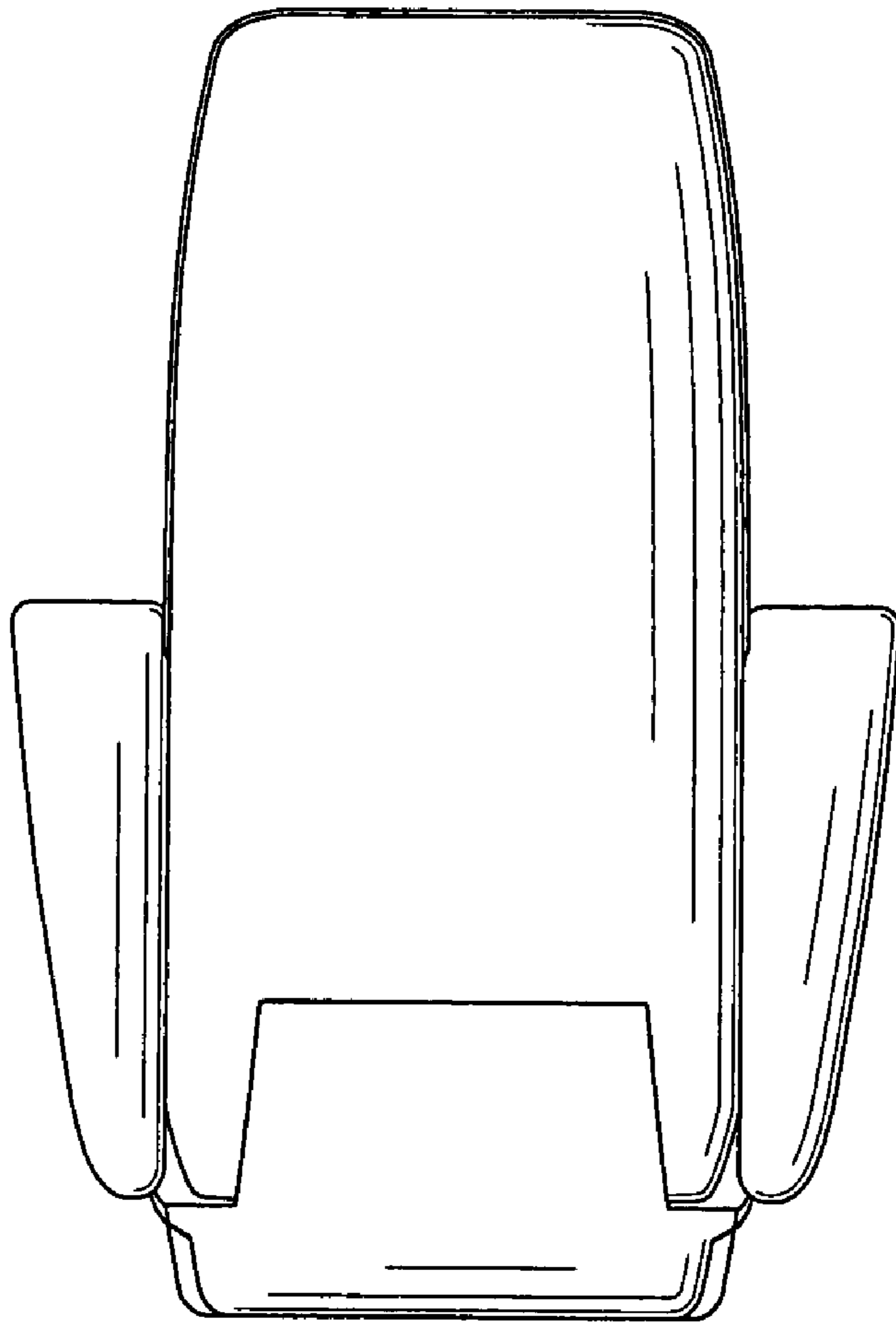


FIG.3

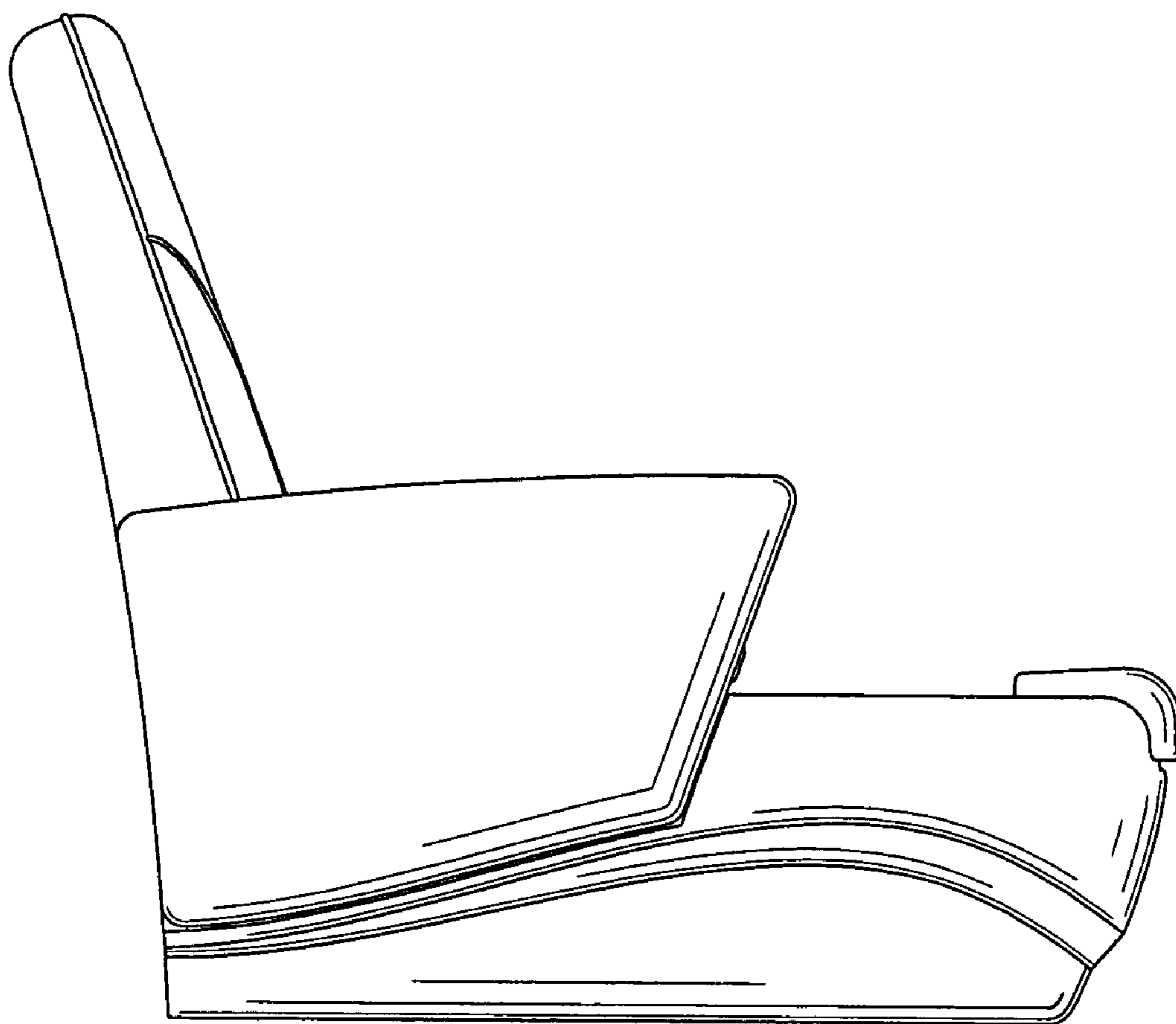


FIG.4

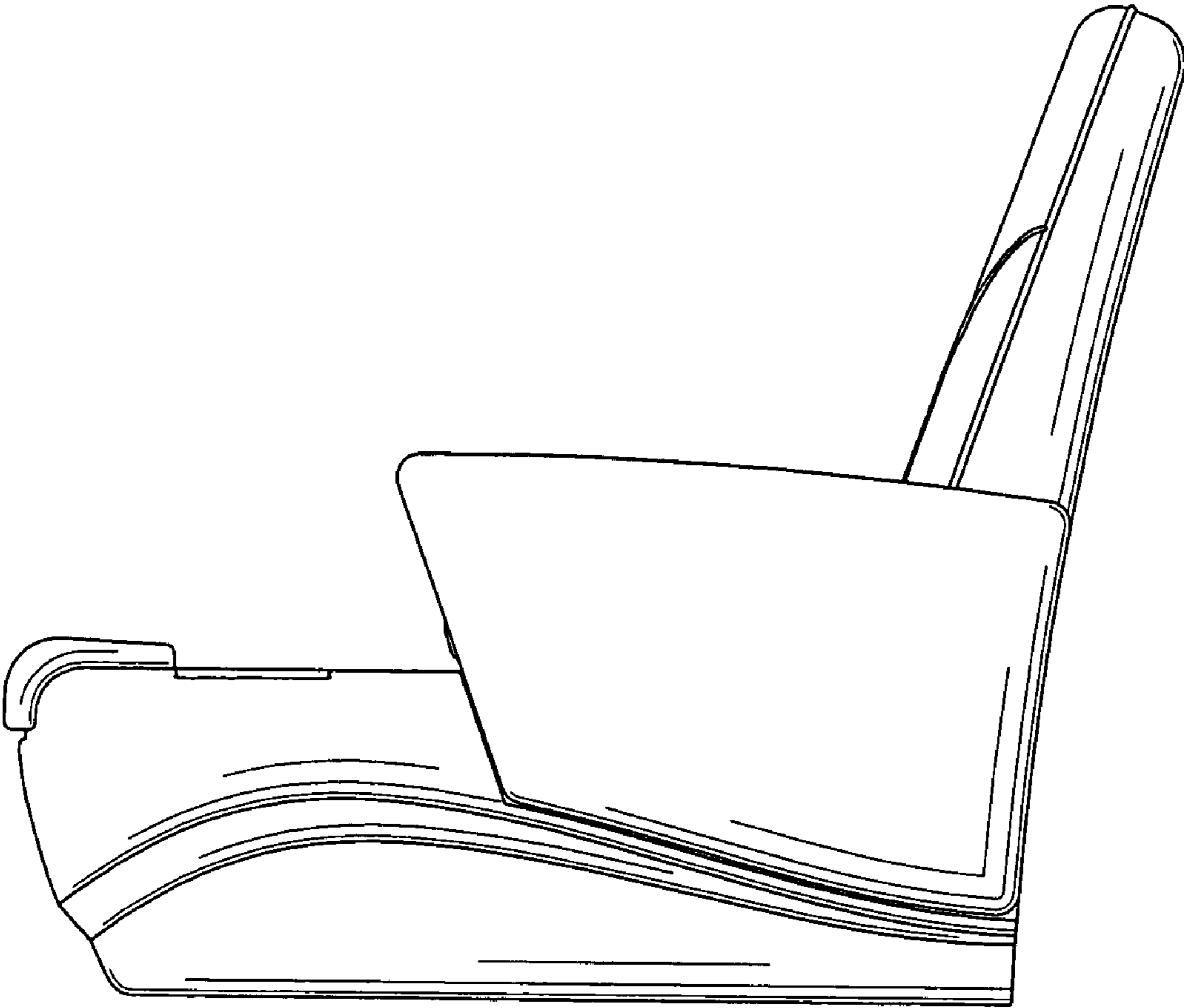


FIG.5

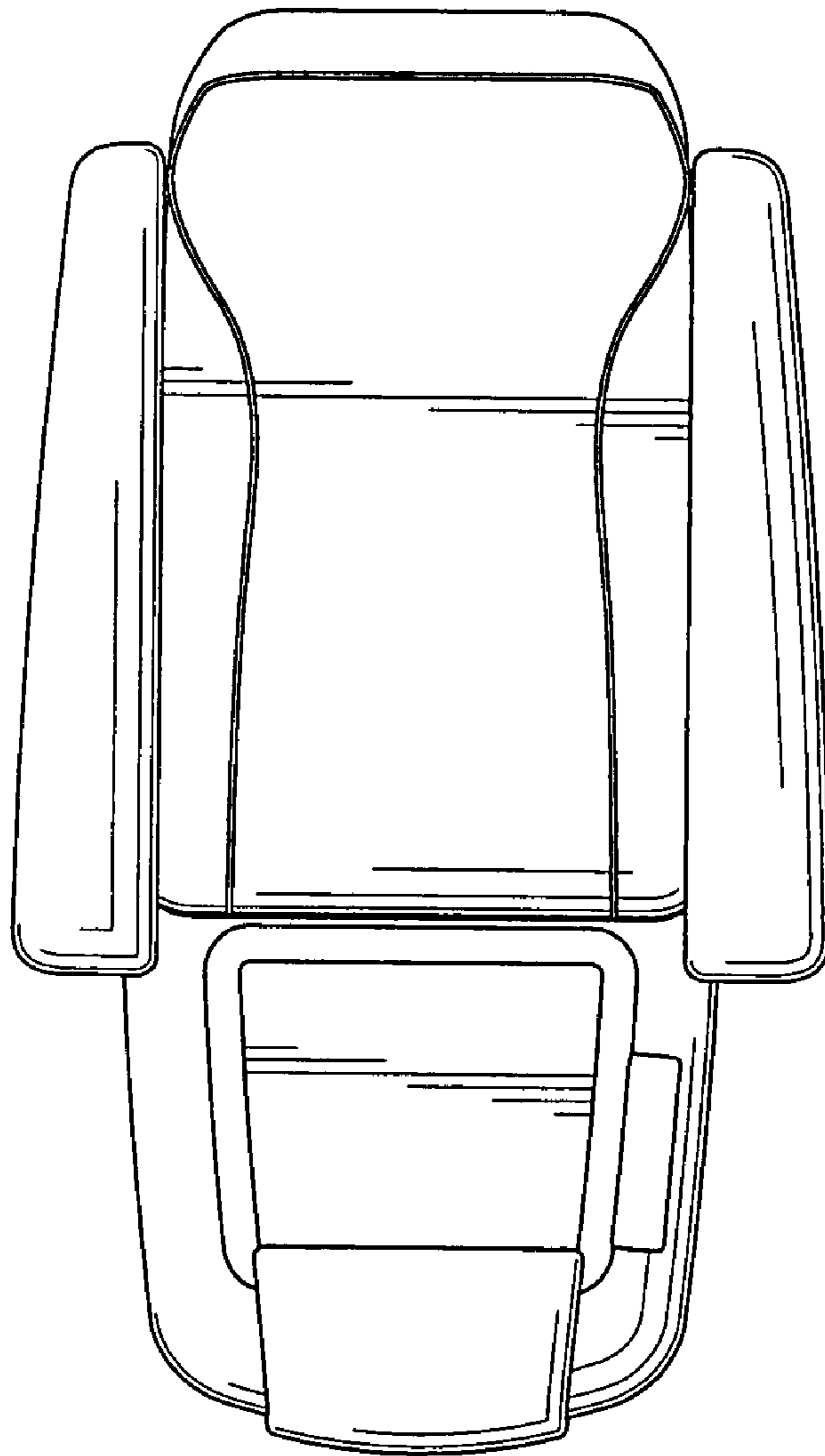


FIG.6

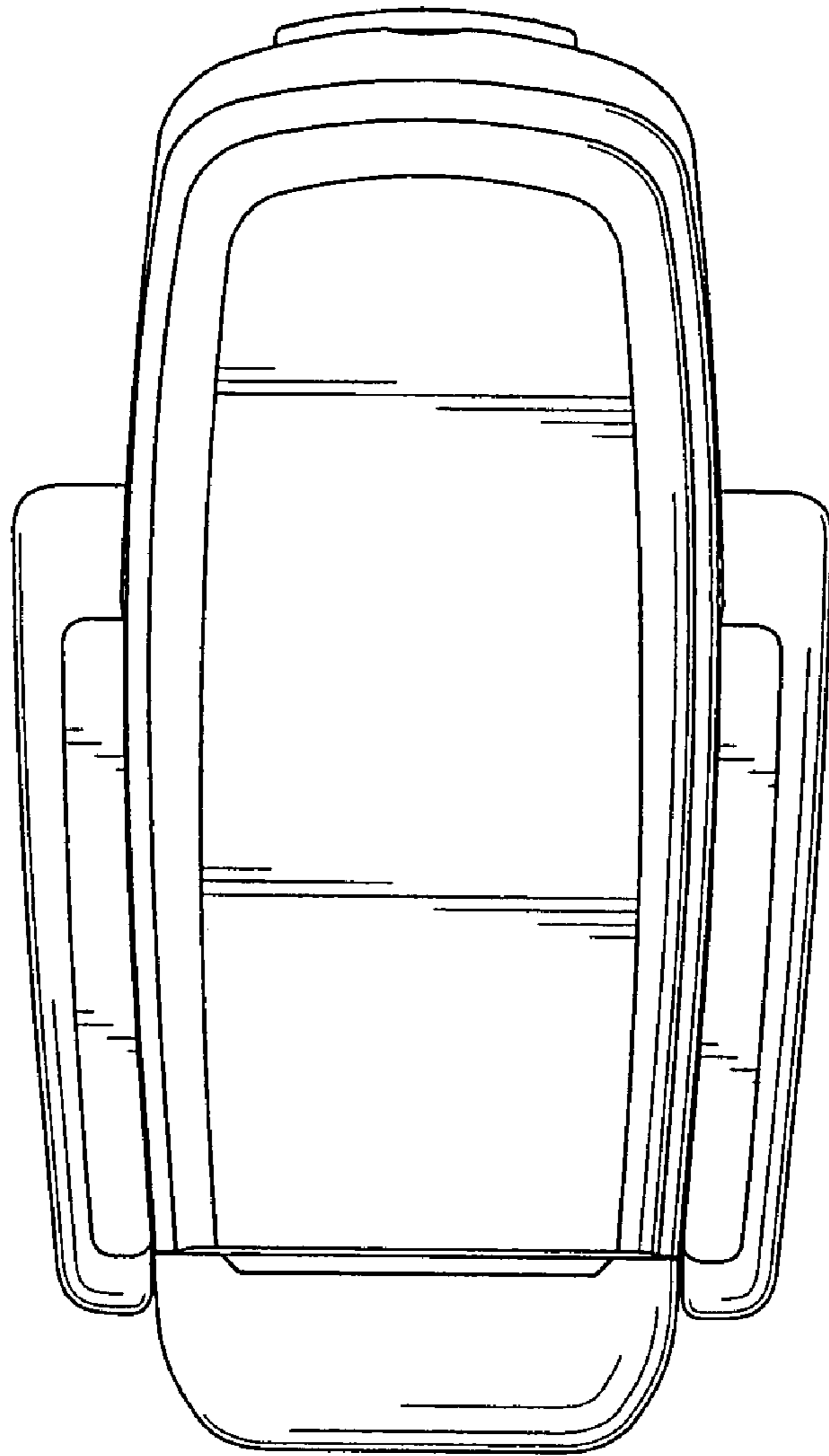


FIG.7