

US00D571560S

(12) **United States Design Patent**  
**Liu et al.**

(10) **Patent No.:** **US D571,560 S**  
(45) **Date of Patent:** **\*\* Jun. 24, 2008**

- (54) **DISPLAY**
- (75) Inventors: **Ching-Chi Liu**, Taipei (TW);  
**Wen-Chang Tsai**, Kaohsiung Hsien (TW)
- (73) Assignee: **Universal Scientific Industrial Co., Ltd.** (TW)
- (\*\*) Term: **14 Years**
- (21) Appl. No.: **29/279,885**
- (22) Filed: **May 10, 2007**
- (51) **LOC (8) Cl.** ..... **06-07**
- (52) **U.S. Cl.** ..... **D6/300; D14/126; D14/345**
- (58) **Field of Classification Search** ..... D6/300–314;  
40/714, 700, 716, 152.1, 906, 124.03, 721,  
40/722, 735, 737–739, 790, 798, 800, 717,  
40/455, 457; D14/126, 129, 345, 496, 374,  
D14/341, 375; D10/2, 75  
See application file for complete search history.

- D497,362 S \* 10/2004 Wang et al. .... D14/371
- D504,686 S \* 5/2005 Hsu Li ..... D14/371
- D506,195 S \* 6/2005 Leveridge et al. .... D14/341
- D509,827 S \* 9/2005 Johnson ..... D14/374
- D518,007 S \* 3/2006 Peng ..... D14/129
- D524,809 S \* 7/2006 Alcouloumre et al. .... D14/341
- D525,973 S \* 8/2006 Julian et al. .... D14/371
- D531,417 S \* 11/2006 Saenz et al. .... D6/308
- D545,691 S \* 7/2007 Bhavnani ..... D10/2
- D546,824 S \* 7/2007 Jackson, Jr. .... D14/341
- D547,282 S \* 7/2007 Hsiung ..... D14/129
- D547,283 S \* 7/2007 Hsiung ..... D14/129
- D547,284 S \* 7/2007 Hsiung ..... D14/129
- D548,207 S \* 8/2007 Hsiung ..... D14/129
- D551,196 S \* 9/2007 Hsiung ..... D14/129
- D554,086 S \* 10/2007 Hsiung ..... D14/129
- D556,161 S \* 11/2007 Hsiung ..... D14/129
- D558,460 S \* 1/2008 Yu et al. .... D6/308
- D561,137 S \* 2/2008 Hsiung ..... D14/129
- 2003/0046847 A1 \* 3/2003 Yoshida ..... 40/717

\* cited by examiner

*Primary Examiner*—Caron D. Veynar  
*Assistant Examiner*—Sydney R Buffalow  
(74) *Attorney, Agent, or Firm*—Vedder Price P.C.

(56) **References Cited**  
U.S. PATENT DOCUMENTS

- D304,884 S \* 12/1989 Ackeret ..... D6/311
- D309,679 S \* 8/1990 Ackeret ..... D6/311
- D310,919 S \* 10/1990 Sakai ..... D6/311
- 5,359,374 A \* 10/1994 Schwartz ..... 40/455
- D354,743 S \* 1/1995 Vieira ..... D14/341
- D355,170 S \* 2/1995 Mizusugi et al. .... D14/336
- D375,098 S \* 10/1996 Moallemi et al. .... D14/168
- D386,099 S \* 11/1997 Billington ..... D10/75
- D453,333 S \* 2/2002 Chen ..... D14/374
- D462,840 S \* 9/2002 Chan ..... D6/300
- D464,050 S \* 10/2002 Mori ..... D14/375
- D465,491 S \* 11/2002 Yamada ..... D14/374
- D484,471 S \* 12/2003 Lin et al. .... D14/126
- D490,420 S \* 5/2004 Solomon et al. .... D14/341
- D490,810 S \* 6/2004 Huang ..... D14/374
- D494,174 S \* 8/2004 Hsu Li ..... D14/374

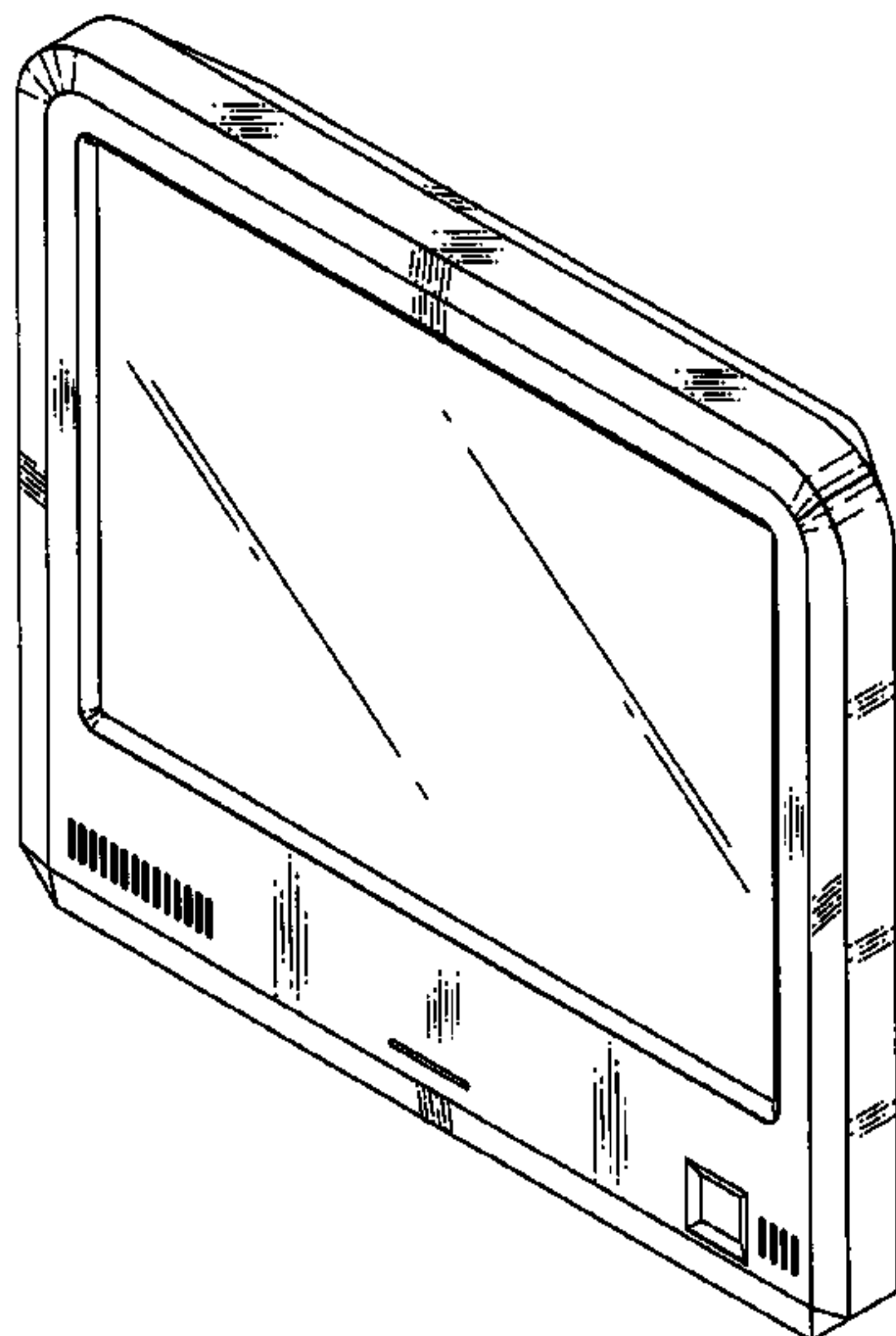
(57) **CLAIM**

The ornamental design for a display, as shown and described.

**DESCRIPTION**

FIG. 1 is a perspective view of display showing my new design;  
FIG. 2 is a front elevational view thereof;  
FIG. 3 is a rear elevational view thereof;  
FIG. 4 is a left side elevational view thereof;  
FIG. 5 is a right side elevational view thereof;  
FIG. 6 is a top plan view thereof; and,  
FIG. 7 is a bottom plan view thereof.

**1 Claim, 4 Drawing Sheets**



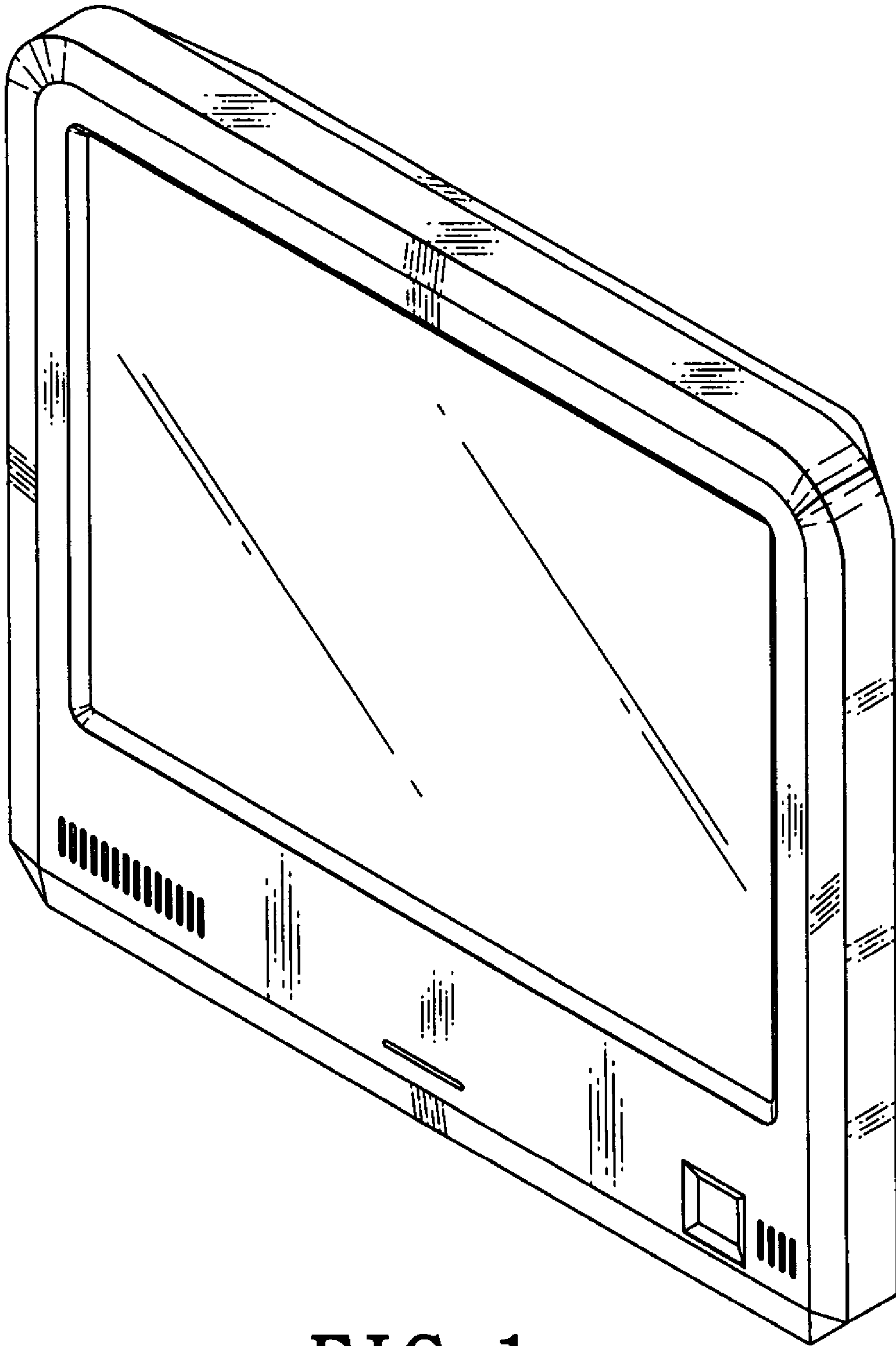


FIG. 1

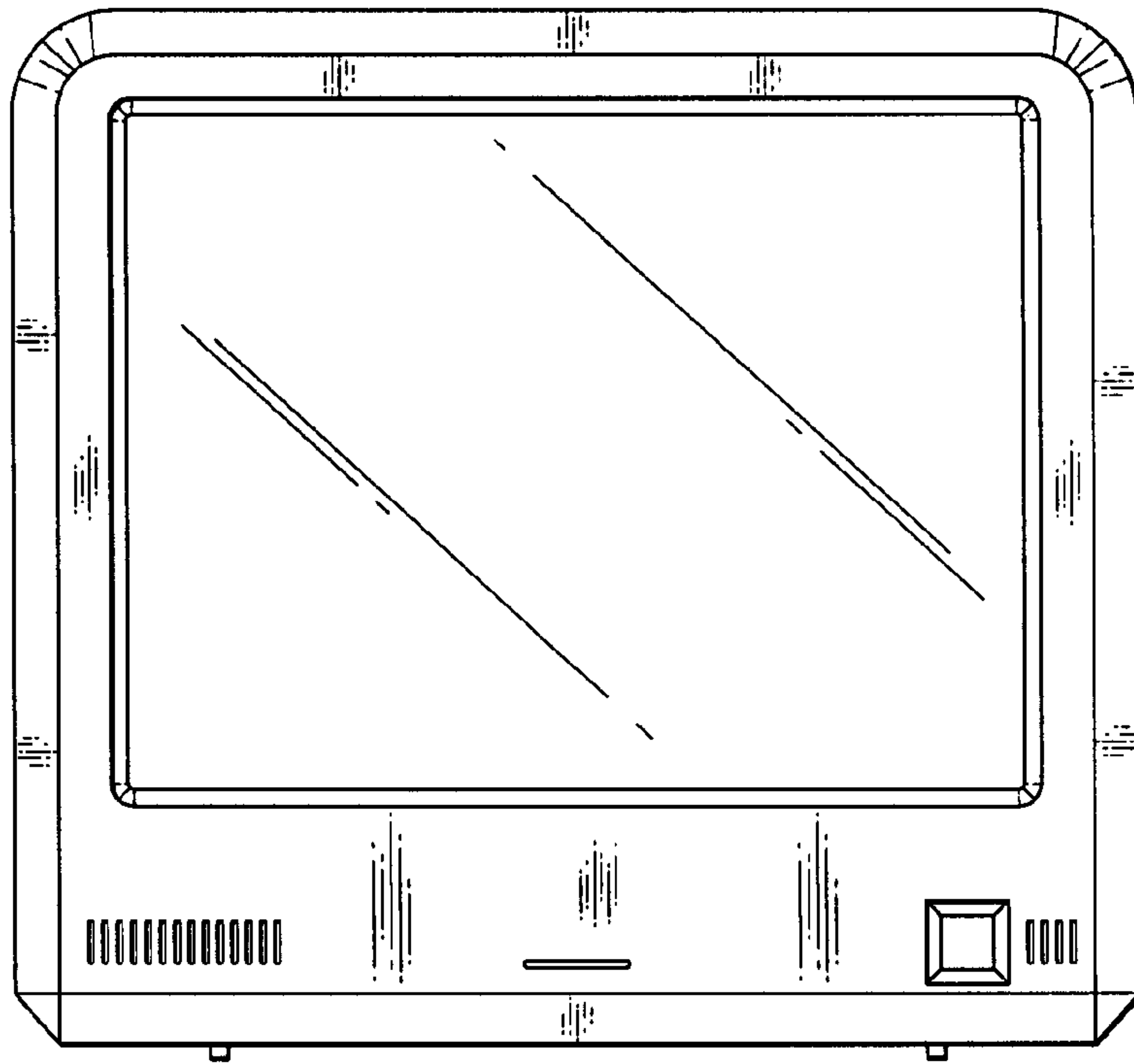


FIG. 2

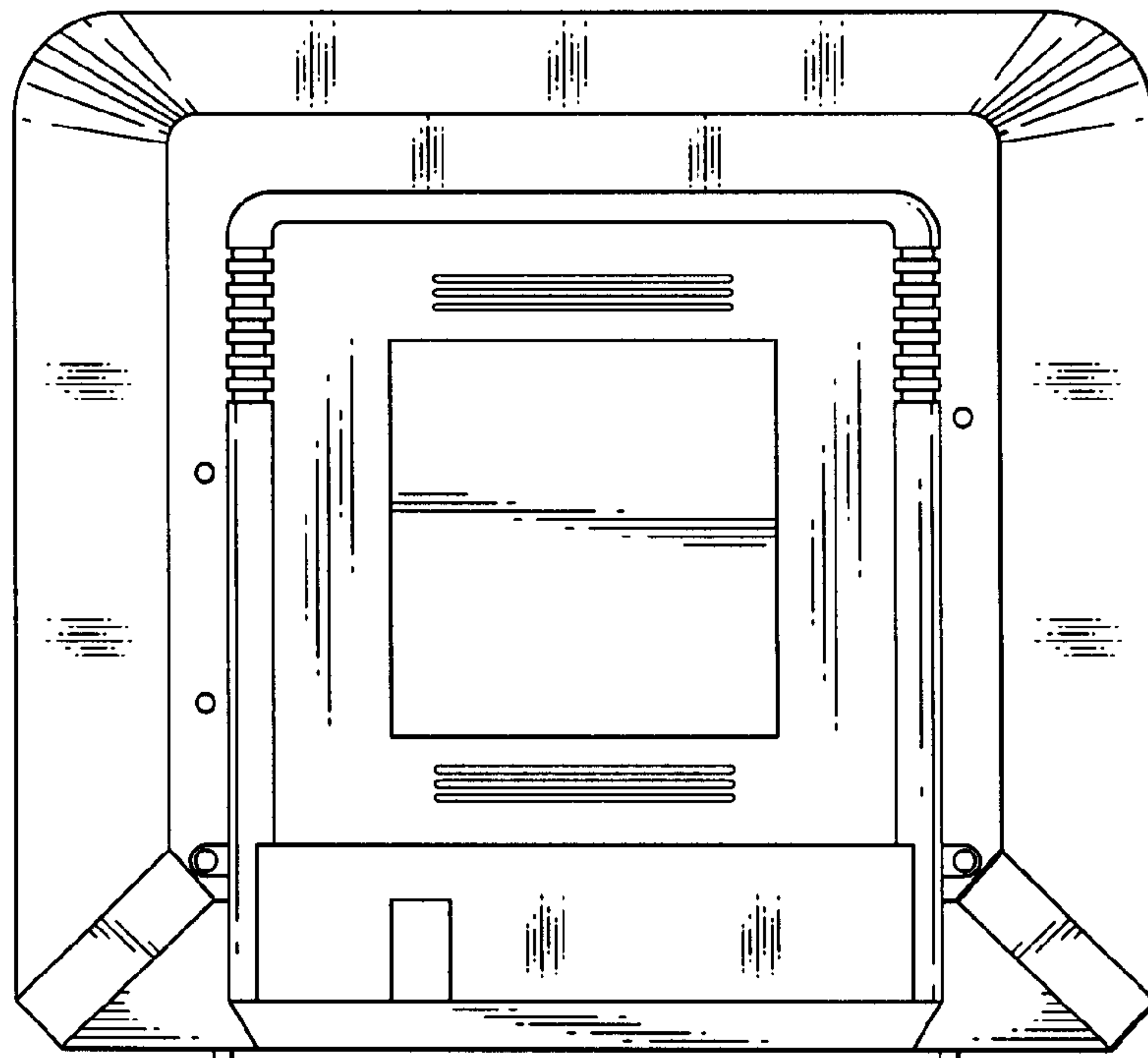


FIG. 3

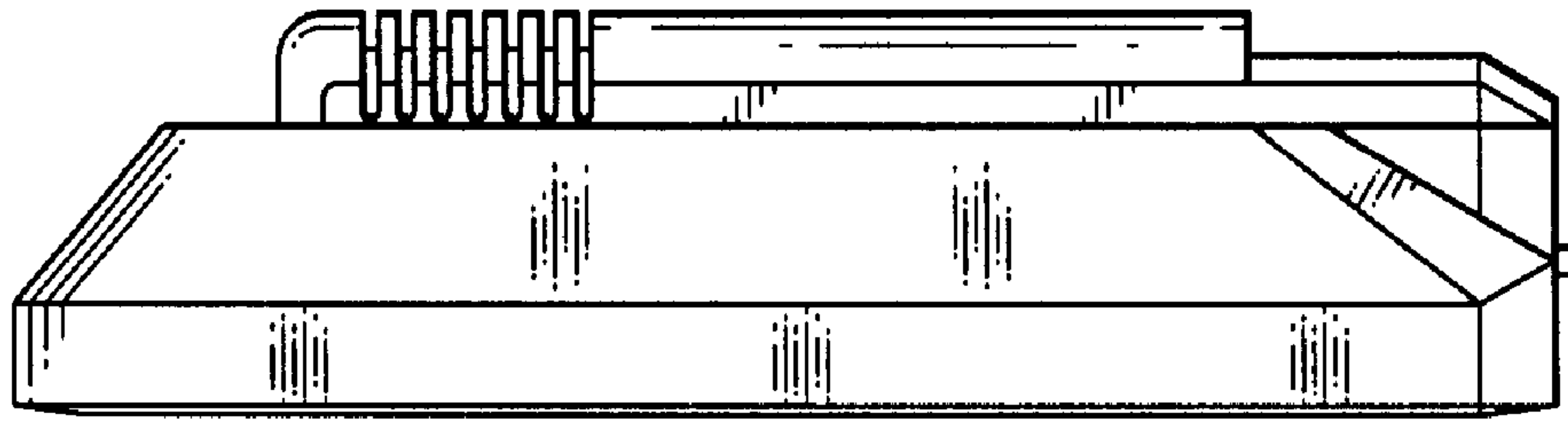


FIG. 5

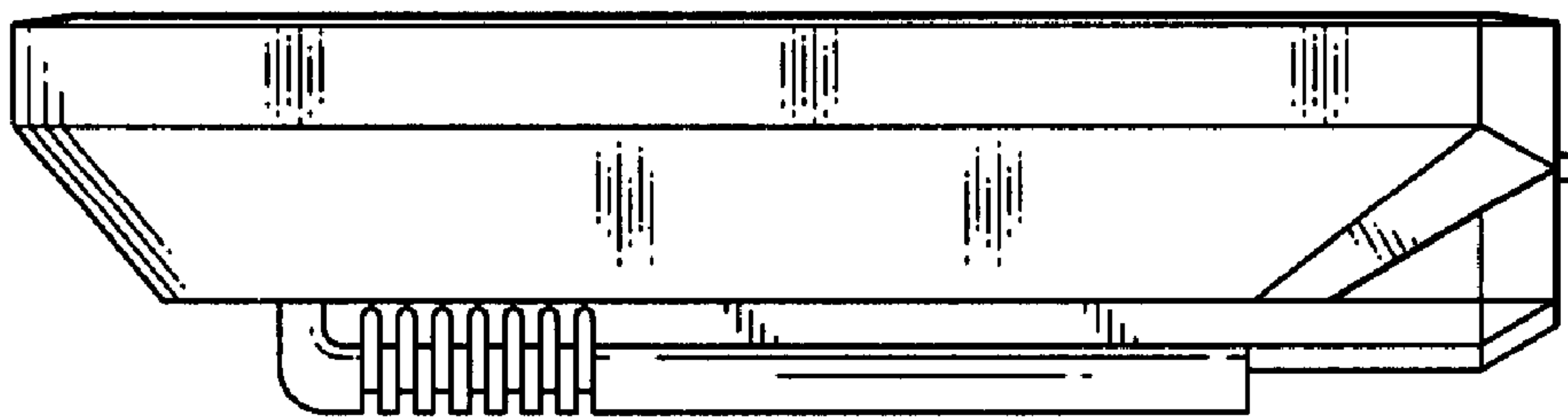


FIG. 4

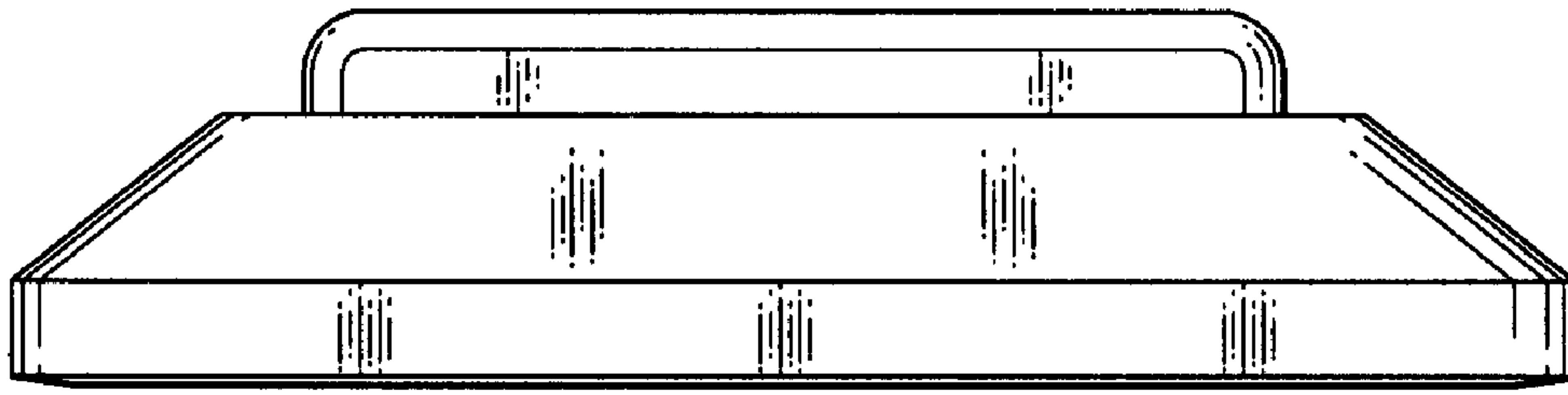


FIG. 6

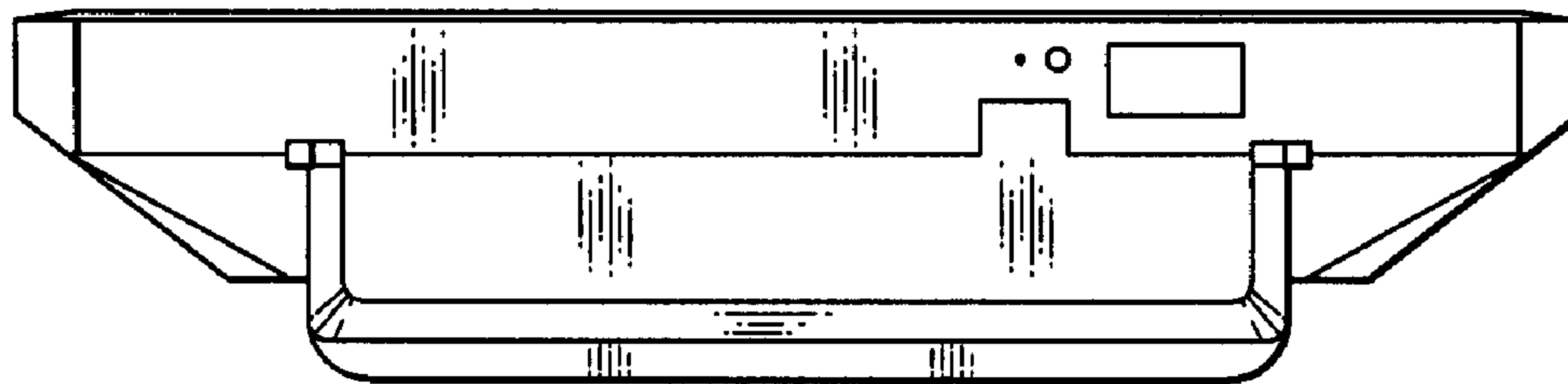


FIG. 7