



US00D571559S

(12) **United States Design Patent**  
**Riaz**

(10) **Patent No.:** **US D571,559 S**

(45) **Date of Patent:** **\*\* Jun. 24, 2008**

(54) **COSMETIC BRUSH**

6,513,183 B2 2/2003 Dorf ..... 15/191.1  
D479,917 S 9/2003 Mink ..... D4/135

(76) Inventor: **Claudio S Riaz**, 777 N. Michigan Ave.,  
Ste. 3109, Chicago, IL (US) 60611

(Continued)

(\*\*) Term: **14 Years**

*Primary Examiner*—Cathron Brooks

*Assistant Examiner*—Lavone D Tabor

(21) Appl. No.: **29/289,919**

(74) *Attorney, Agent, or Firm*—Brinks Hofer Gilson & Lione

(22) Filed: **Aug. 7, 2007**

(57) **CLAIM**

(51) **LOC (8) Cl.** ..... **04-02**

I claim the ornamental design for the cosmetic brush, as shown and described.

(52) **U.S. Cl.** ..... **D4/135**

(58) **Field of Classification Search** ..... D4/132,  
D4/135; 15/159.1, 160, 167.3, 168, 171–174,  
15/190, 191.1, 192–195; D28/7; 132/293,  
132/313, 317, 320

**DESCRIPTION**

See application file for complete search history.

FIG. 1 is a perspective view of a first embodiment of a cosmetic brush of the present invention;

FIG. 2 is a top view thereof, wherein the bottom side view is a mirror image thereof;

FIG. 3 is a right view thereof;

FIG. 4 is a left view thereof;

FIG. 5 is a front view thereof;

FIG. 6 is a back view thereof;

FIG. 7 is a perspective view of a second embodiment of a cosmetic brush of the present invention;

FIG. 8 is a top view thereof, wherein the bottom side view is a mirror image thereof;

FIG. 9 is a right view thereof;

FIG. 10 is a left view thereof;

FIG. 11 is a back view thereof; and,

FIG. 12 is a front view thereof;

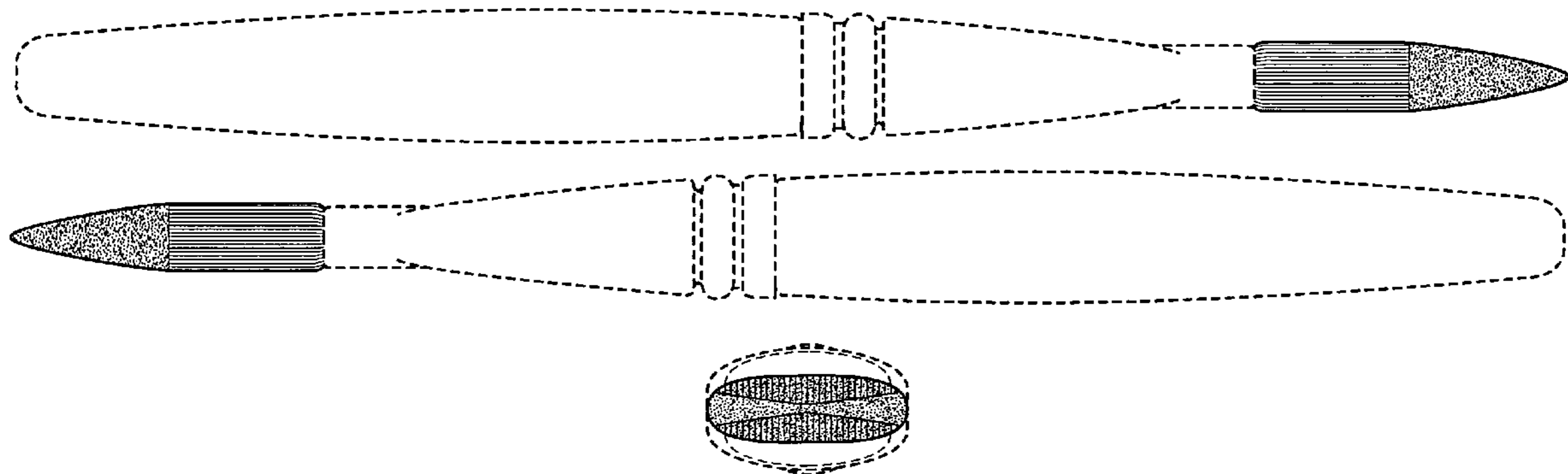
The ornamental design which is claimed is shown in solid lines in the drawings. Any broken lines in the drawings are for illustrative purposes only and form no part of the claimed design.

(56) **References Cited**

U.S. PATENT DOCUMENTS

D34,438 S	4/1901	Clark	
D182,580 S	4/1958	Fredrickson	
3,097,386 A	7/1963	Marani	
3,863,288 A	2/1975	Aversa	15/184
D246,747 S *	12/1977	Brandt et al.	D4/135
D278,951 S	5/1985	Kalinsky	D4/135
D278,952 S	5/1985	Kalinsky	D4/135
D304,392 S	11/1989	Reich	D4/135
5,161,555 A	11/1992	Cansler et al.	132/218
5,195,546 A	3/1993	Cansler et al.	132/317
6,026,824 A *	2/2000	Gueret	132/218
D421,846 S *	3/2000	Choe	D4/135
6,039,051 A	3/2000	Dorf	132/313
6,076,534 A	6/2000	Gueret	
6,142,695 A	11/2000	Byun	401/188 R
D450,189 S	11/2001	Mink et al.	D4/127
D450,930 S	11/2001	Mink et al.	D4/135
D450,931 S	11/2001	Mink et al.	D4/135
D454,001 S	3/2002	Mink et al.	D4/127
6,418,939 B1	7/2002	Byun	132/313

**1 Claim, 5 Drawing Sheets**



# US D571,559 S

Page 2

---

## U.S. PATENT DOCUMENTS

D479,918 S	9/2003	Mink		D529,292 S	10/2006	Langer	.....	D4/116
6,779,532 B2	8/2004	Dorf	..... 132/200	D529,293 S	10/2006	Langer	.....	D4/116
6,935,802 B1	8/2005	Byun	..... 401/278	D530,097 S	10/2006	Langer	.....	D4/116
6,976,283 B2	12/2005	Choi	..... 15/184	D530,519 S	10/2006	Langer	.....	D4/116
6,986,355 B2	1/2006	Byun		7,159,950 B2	1/2007	Young-Chul	.....	300/21
D527,188 S	8/2006	Langer	..... D4/116	7,219,801 B2	5/2007	Christian		
D528,304 S	9/2006	Langer	..... D4/116	7,234,474 B2	6/2007	Byun	..... 132/313	
D528,305 S	9/2006	Langer	..... D4/116	D558,982 S	1/2008	Dovellos		
7,101,107 B1	9/2006	Byun	..... 401/286					

\* cited by examiner

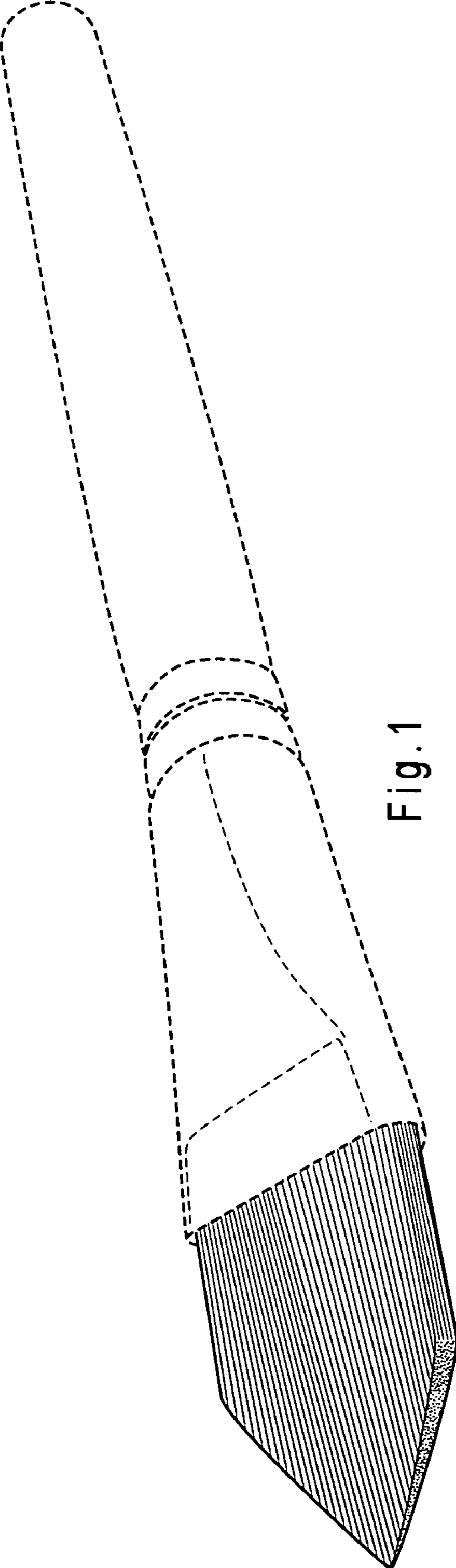


Fig. 1

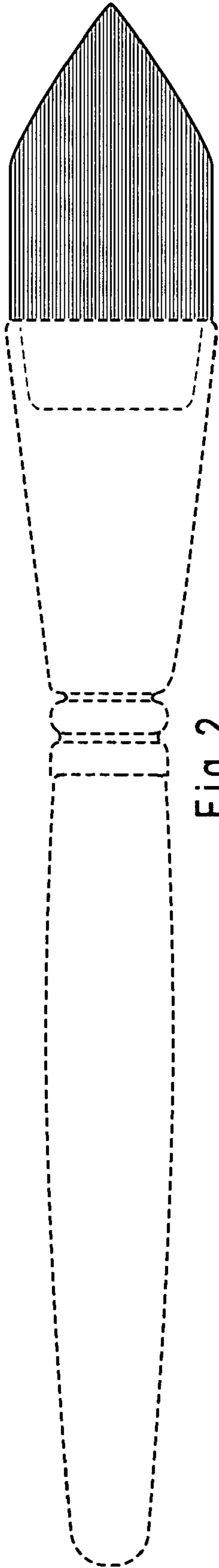


Fig. 2

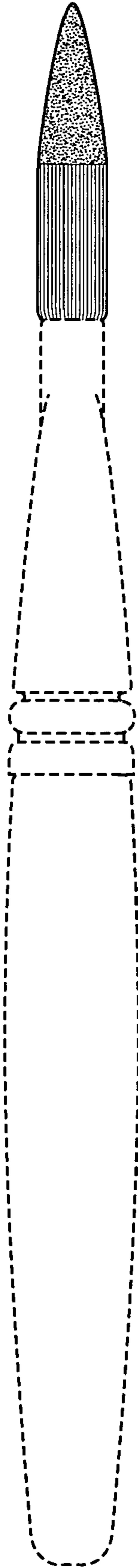


Fig. 3

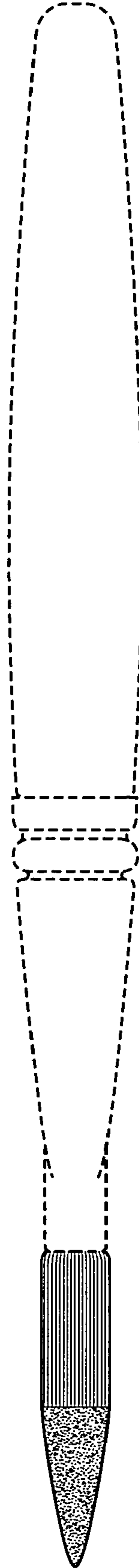


Fig. 4

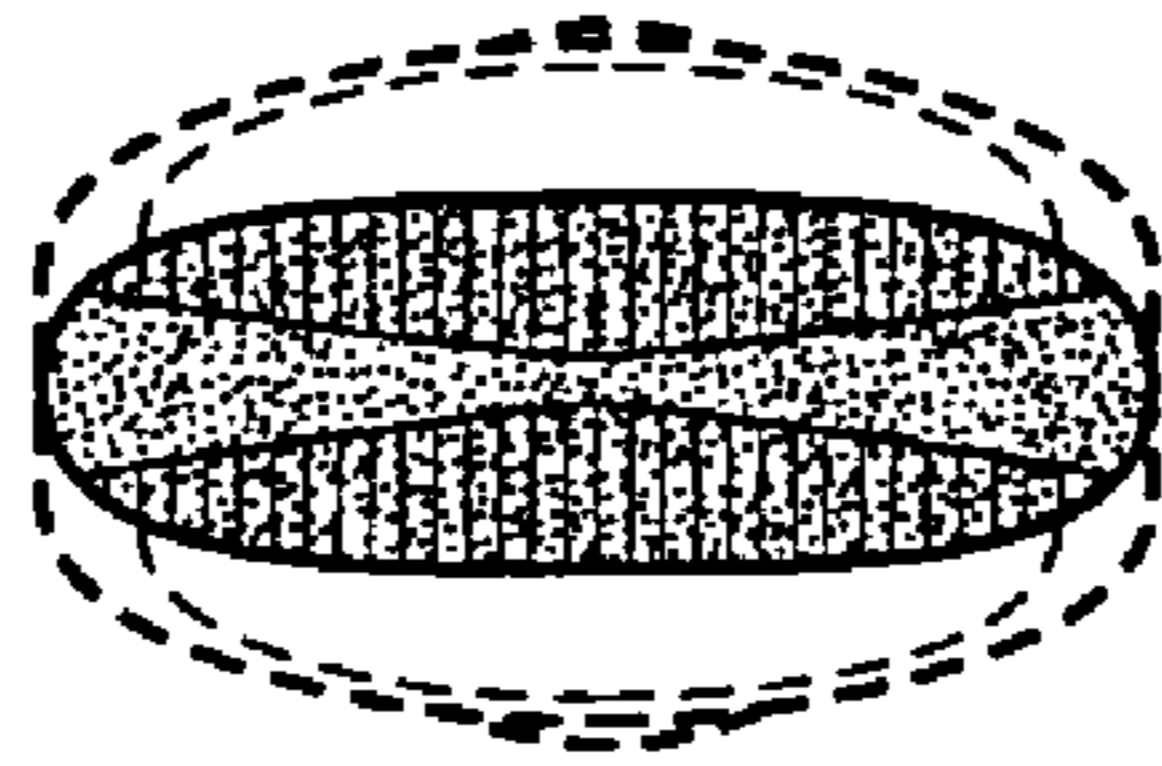


Fig. 5

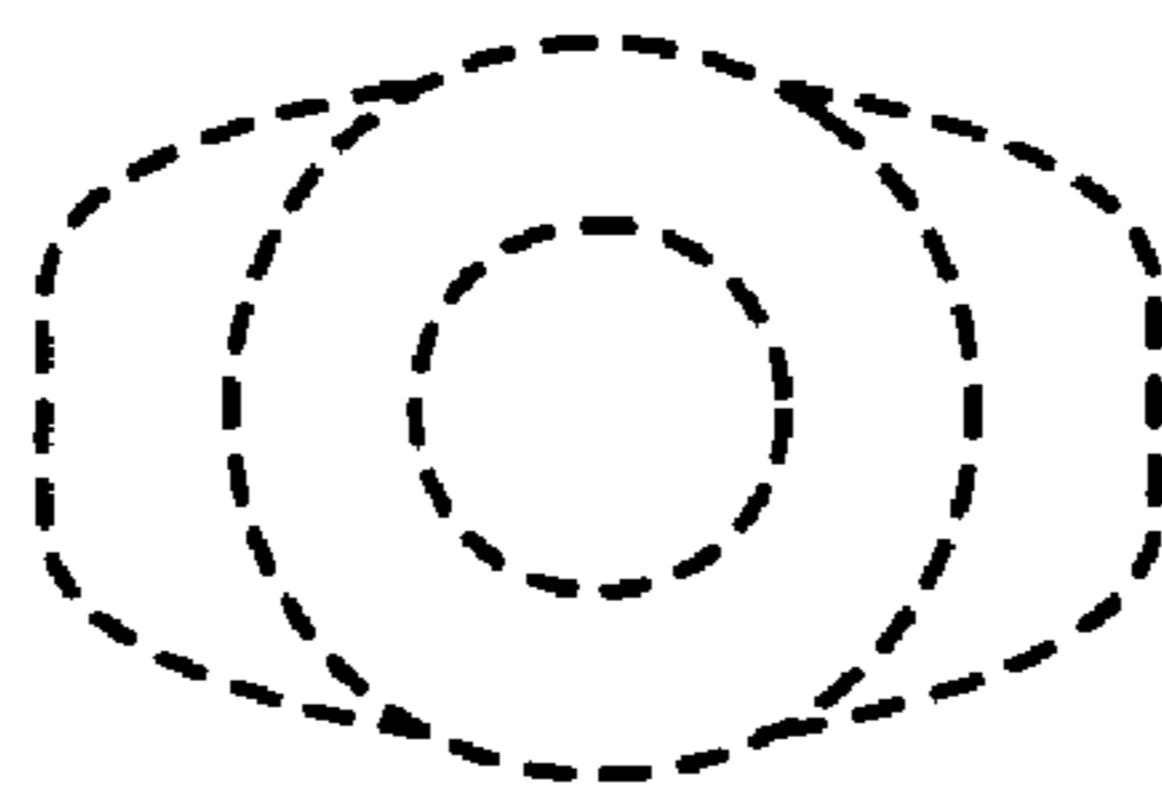


Fig. 6

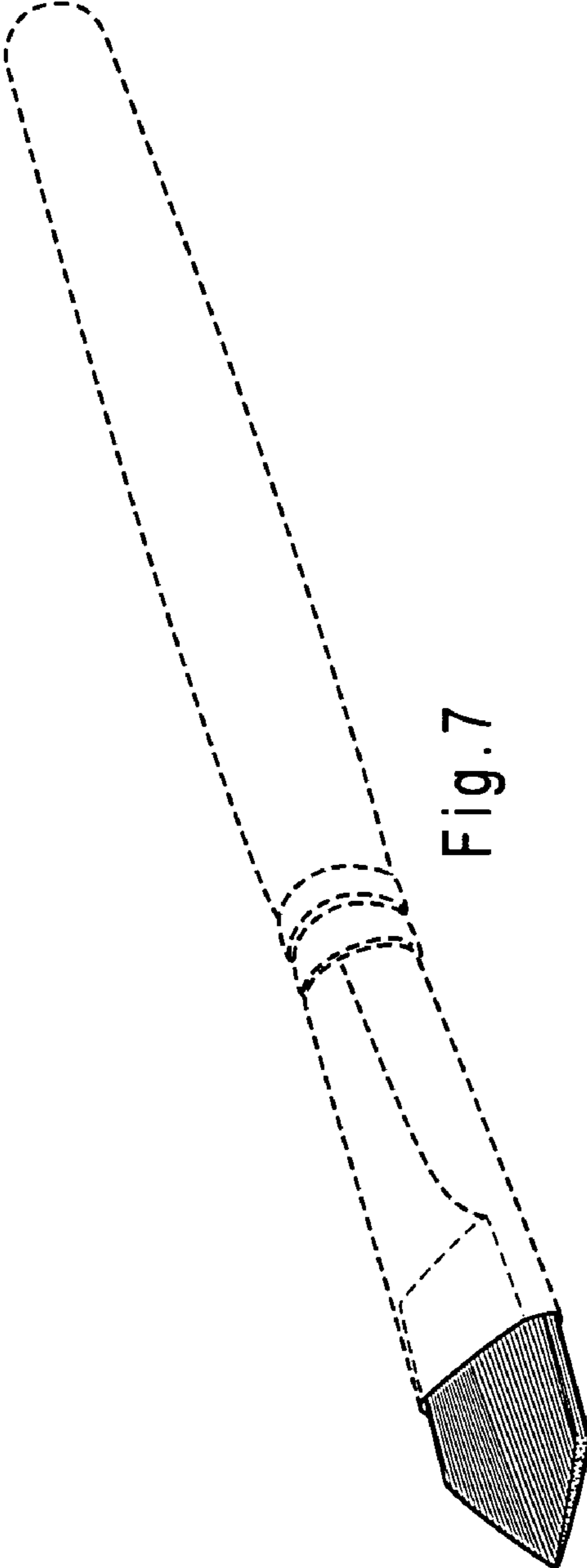


Fig. 7

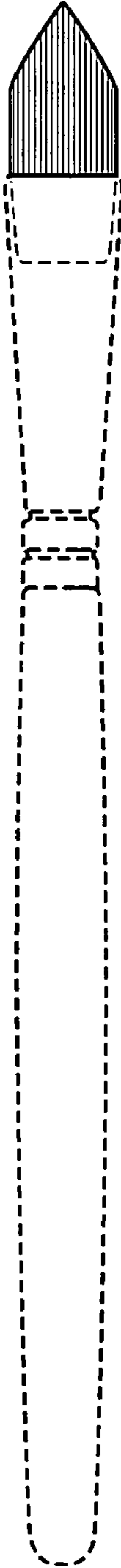


Fig. 8

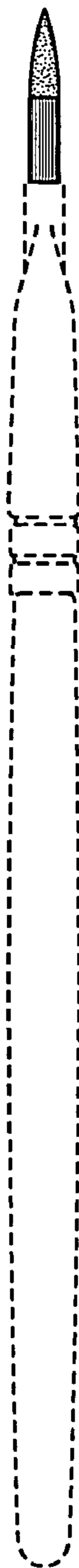


Fig. 9



Fig. 10



Fig. 11



Fig. 12