



US00D571555S

(12) **United States Design Patent**
Maraia et al.

(10) **Patent No.:** **US D571,555 S**
(45) **Date of Patent:** **** Jun. 24, 2008**

(54) **DISPOSABLE INSERT FOR CONTACT LENS CASE**

(75) Inventors: **Micah L. Maraia**, Menomonie, WI (US); **Christopher L. Peterson**, Chippewa Falls, WI (US)

(73) Assignee: **John O'Hara**, St. Louis, MO (US)

(**) Term: **14 Years**

(21) Appl. No.: **29/282,302**

(22) Filed: **Jul. 16, 2007**

(51) **LOC (8) Cl.** **03-01**

(52) **U.S. Cl.** **D3/264; D3/263**

(58) **Field of Classification Search** D3/263, D3/264, 266; 206/5, 5.1, 6
See application file for complete search history.

(56) **References Cited**

U.S. PATENT DOCUMENTS

D204,162	S	*	3/1966	DiPetrillo	D3/264
3,394,717	A	*	7/1968	Hollinger	134/137
4,907,613	A	*	3/1990	Litzaw	134/158
4,909,382	A		3/1990	Cuppari		
5,117,849	A	*	6/1992	Zimmerli	134/57 R
5,232,003	A	*	8/1993	Wei et al.	134/158
5,280,834	A		1/1994	Berkley		
D354,070	S		1/1995	Chen		
5,383,550	A	*	1/1995	Tsao	206/5.1
5,452,792	A		9/1995	Zautke et al.		
5,558,374	A	*	9/1996	Harrison	294/1.2
D393,721	S		4/1998	Okada		
6,038,997	A		3/2000	Madden		
6,382,409	B1		5/2002	Scala		
D474,886	S		5/2003	Fleming et al.		
D498,590	S	*	11/2004	Borovsky	D3/264
D520,236	S	*	5/2006	Nakagawa	D3/264

7,042,805	B1		5/2006	Kallman		
7,079,920	B2	*	7/2006	Buazza et al.	700/198
D534,422	S		1/2007	Hallberg		
D554,368	S		11/2007	O'Hara et al.		
2005/0126940	A1	*	6/2005	Nakagawa	206/316.1
2005/0133382	A1	*	6/2005	Gerard et al.	206/5.1
2007/0261970	A1	*	11/2007	Stull	206/5.1

* cited by examiner

Primary Examiner—Celia A Murphy

(74) *Attorney, Agent, or Firm*—Hovey Williams LLP

(57) **CLAIM**

The ornamental design for a disposable insert for contact lens case, as shown and described.

DESCRIPTION

FIG. 1 is a right front perspective view of our ornamental design for a disposable insert for contact lens case, the broken lines showing a central thickened area, and removable caps therefor for environmental purposes and forming no part of the claimed invention;

FIG. 2 is a bottom left rear perspective view thereof, the broken lines showing a central thickened area for environmental purposes and forming no part of the claimed invention;

FIG. 3 is a top plan view thereof;

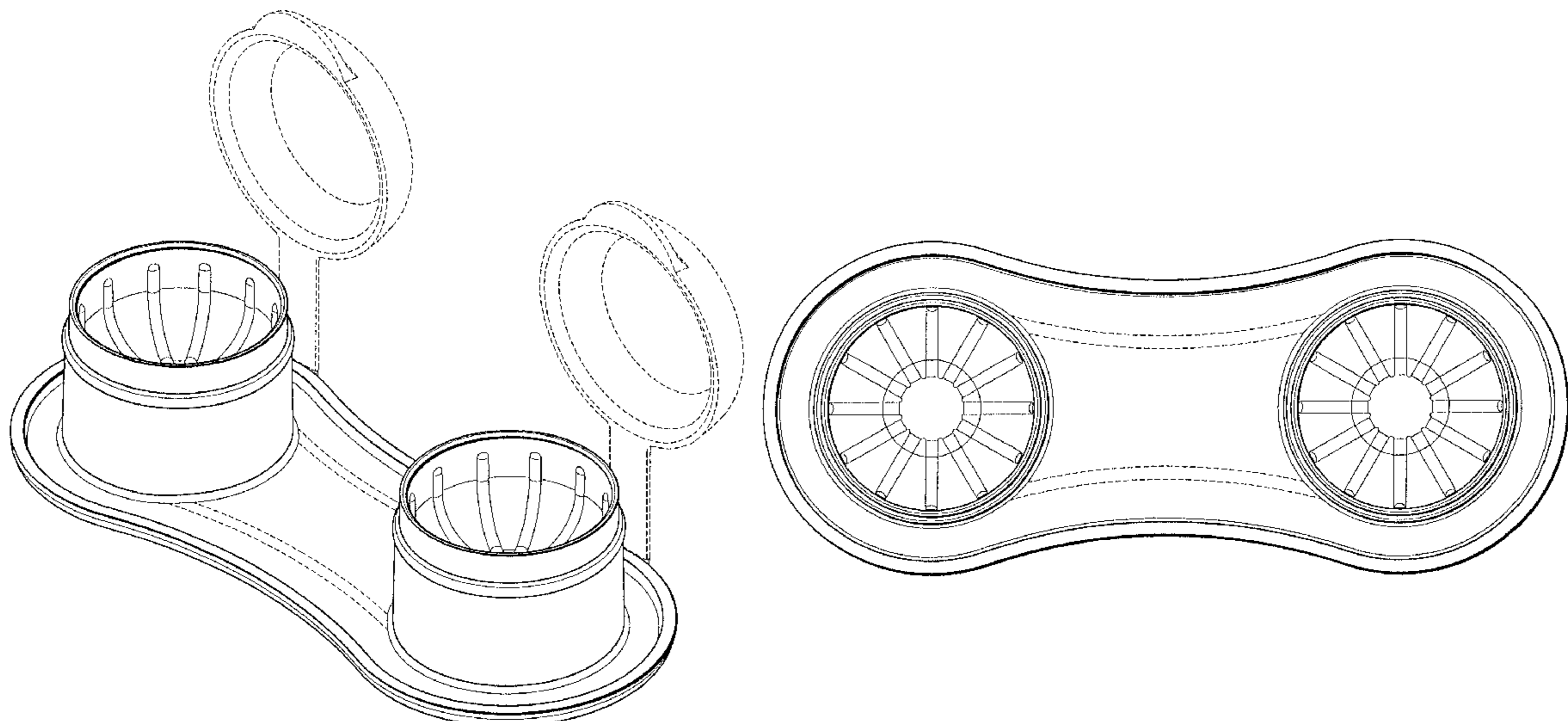
FIG. 4 is a bottom view thereof;

FIG. 5 is a front elevational view thereof, the rear view being a mirror image; and,

FIG. 6 is a left side elevational view thereof, the right side being a mirror image.

The two pairs of broken lines shown in FIGS. 1–4 define the boundaries of the design. The broken lines and the areas within them, form no part of the claim.

1 Claim, 3 Drawing Sheets



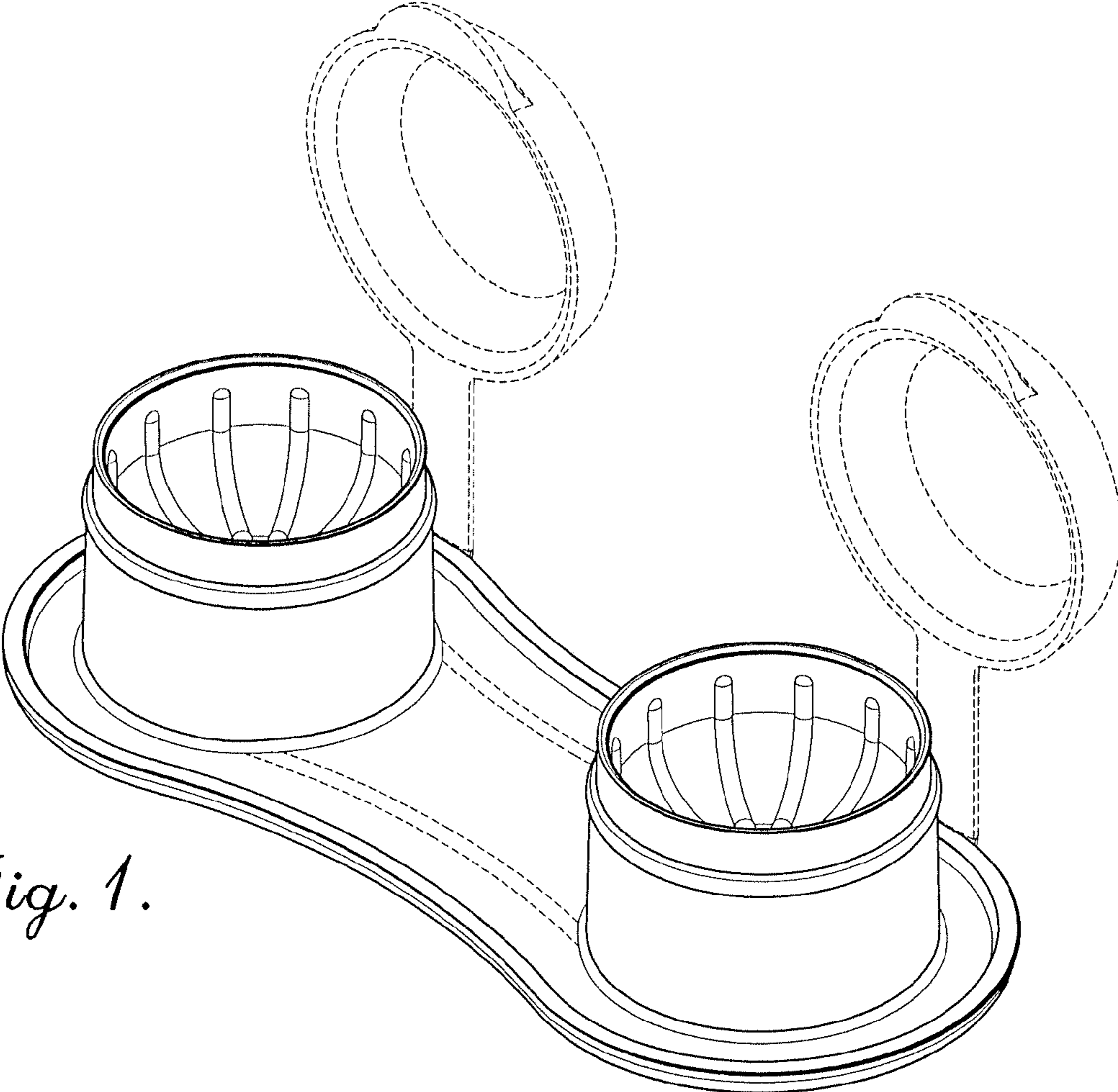


Fig. 1.

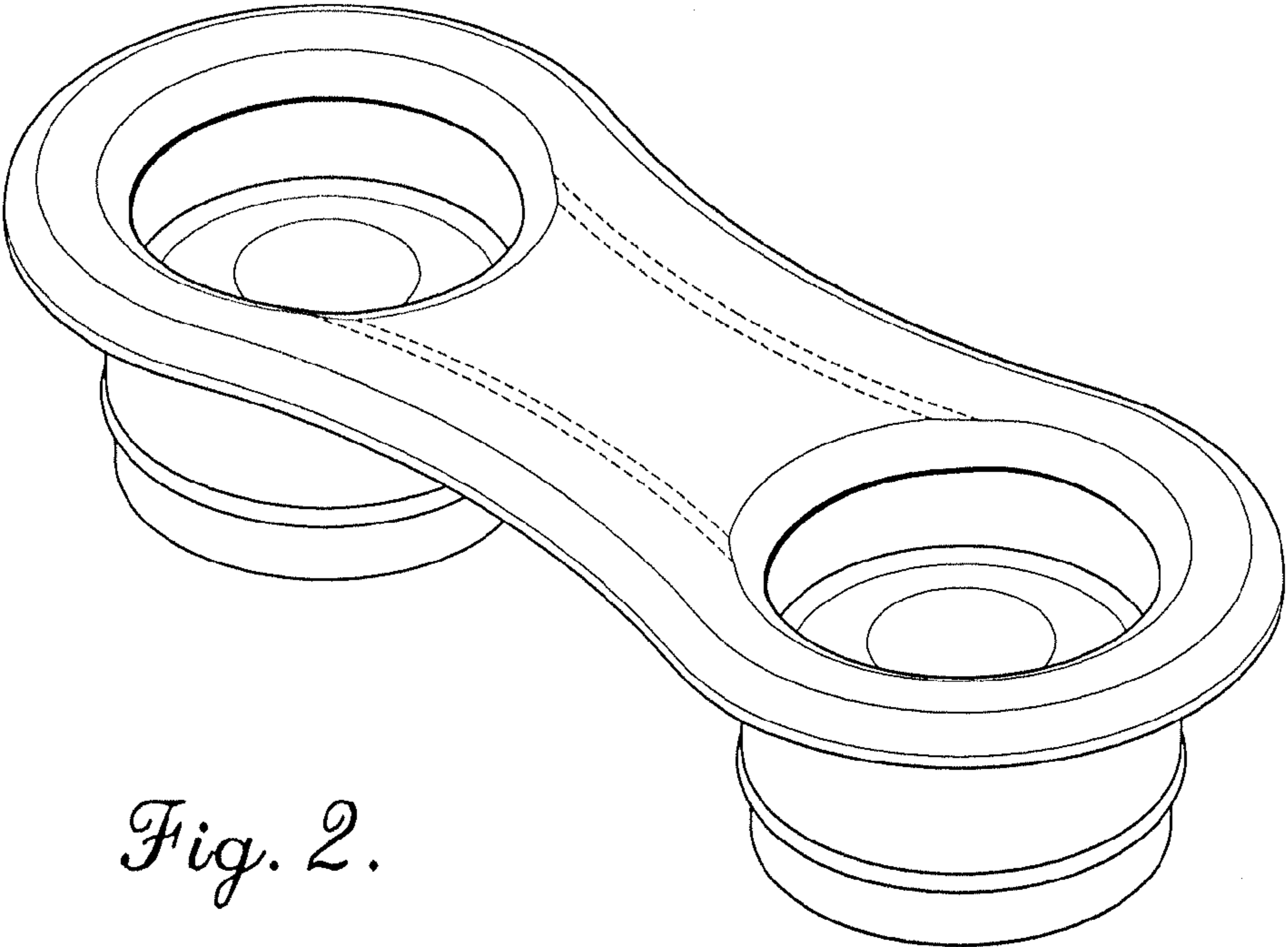


Fig. 2.

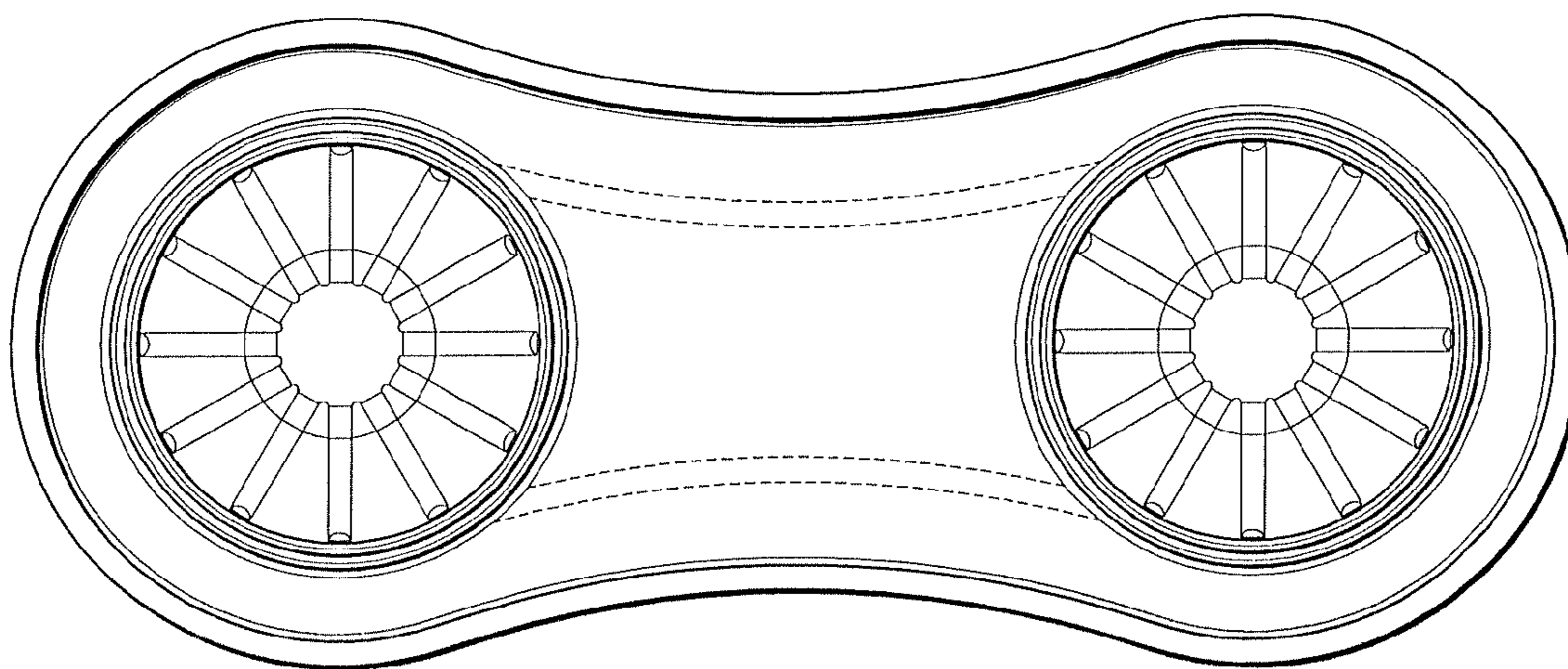


Fig. 3.

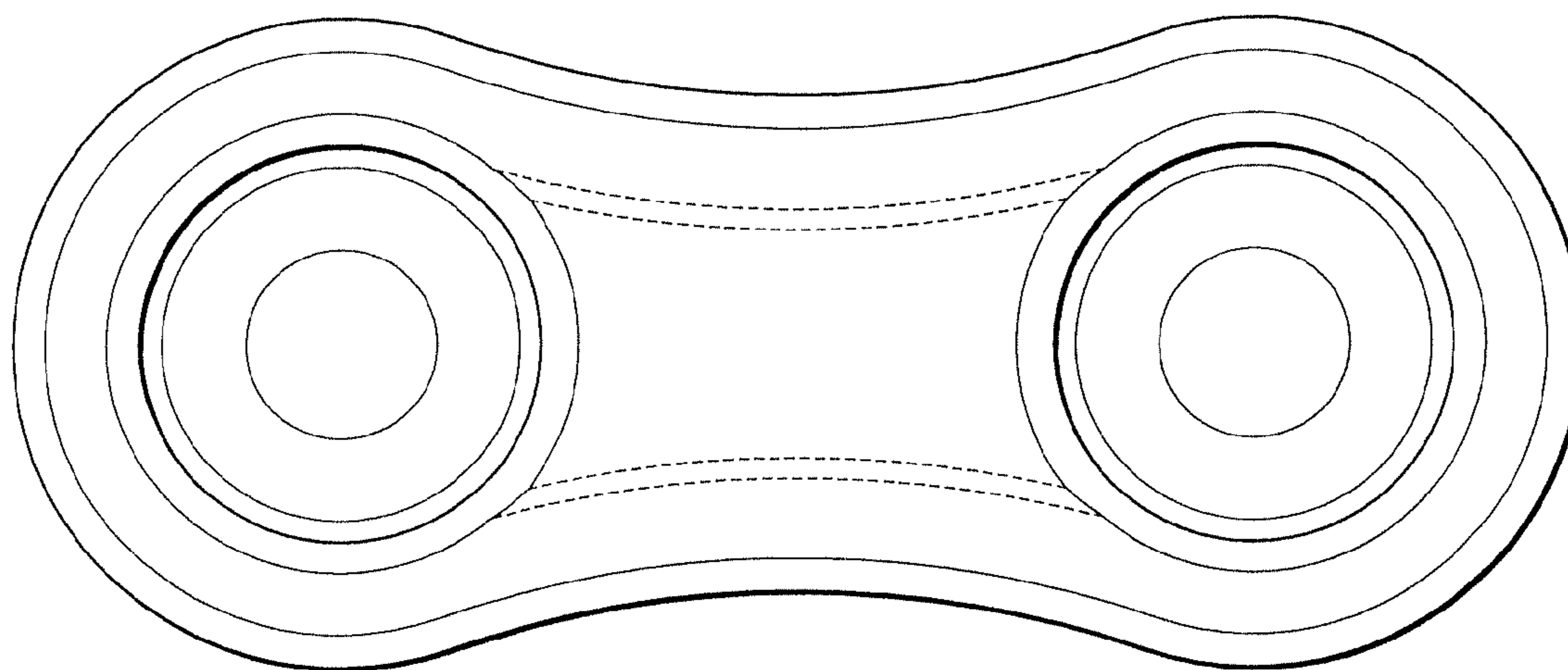


Fig. 4.

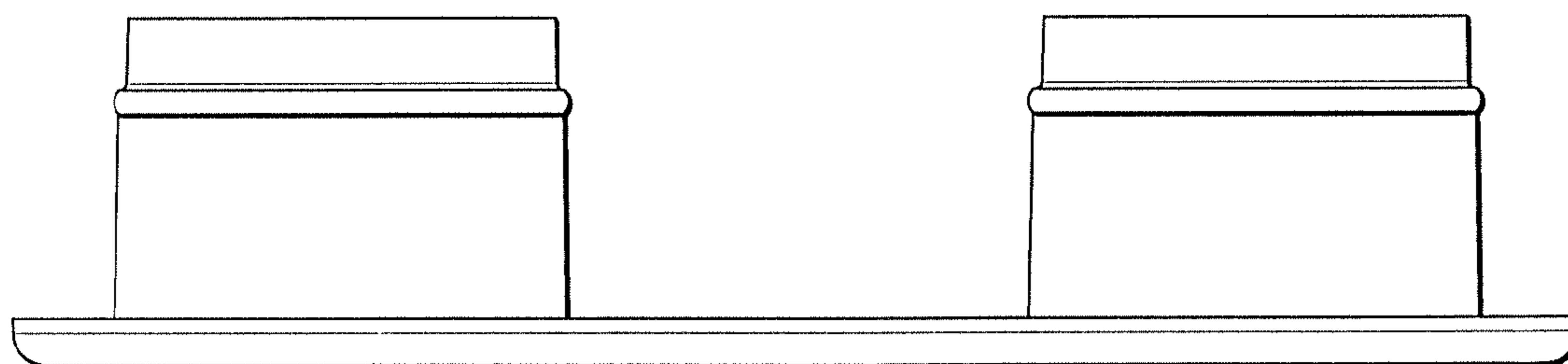


Fig. 5.

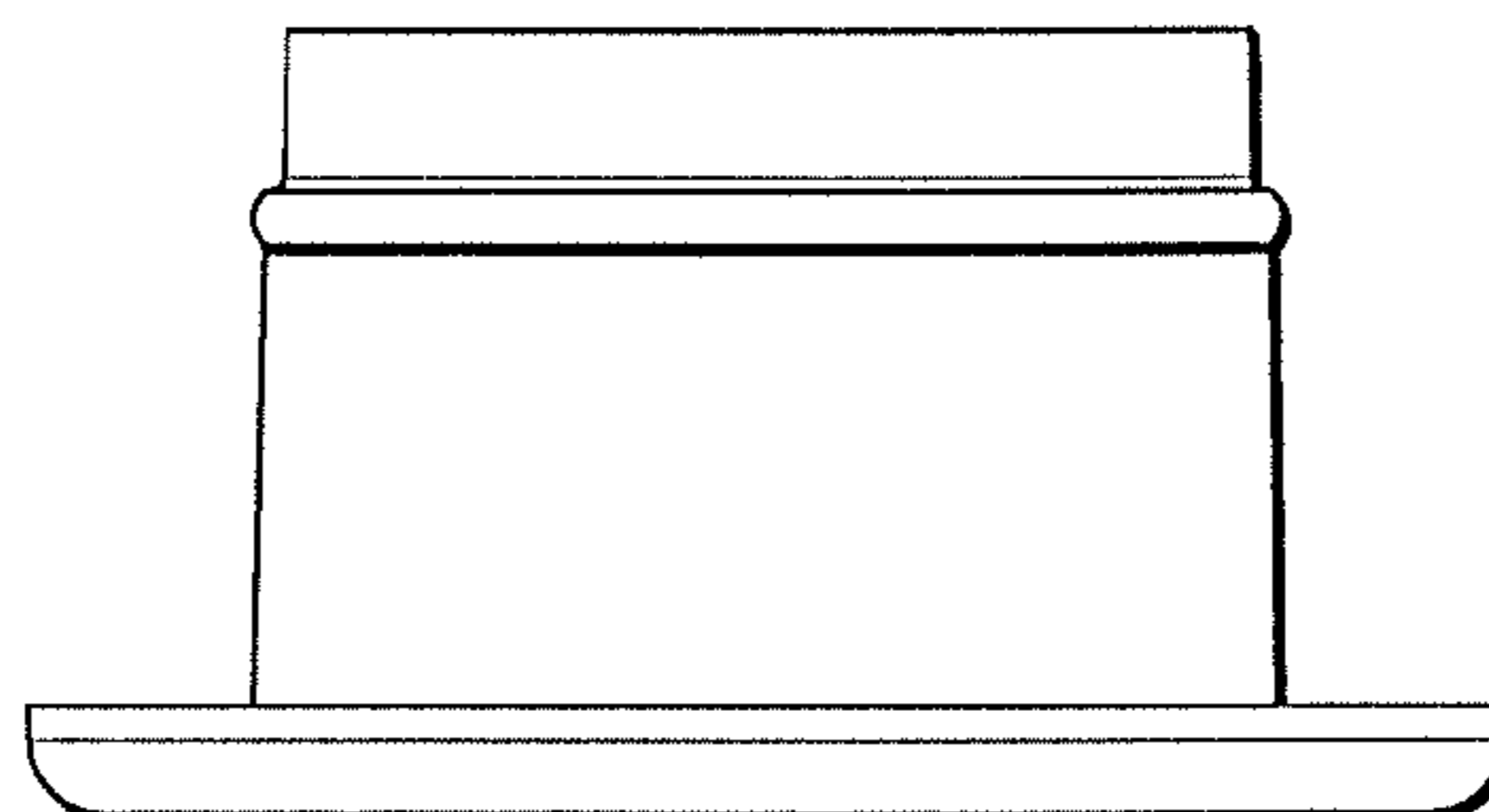


Fig. 6.