



US00D571554S

(12) **United States Design Patent**  
**Löbker**

(10) **Patent No.:** **US D571,554 S**

(45) **Date of Patent:** **\*\* Jun. 24, 2008**

(54) **MAP HOLDER**

(76) Inventor: **Ton Löbker**, Bijdorp West 39, 2992 LC  
Barendrecht (NL)

(\*\*) Term: **14 Years**

(21) Appl. No.: **29/278,827**

(22) Filed: **Apr. 11, 2007**

(30) **Foreign Application Priority Data**

Oct. 11, 2006 (EP) ..... 000602511-0001

(51) **LOC (8) Cl.** ..... **03-01**

(52) **U.S. Cl.** ..... **D3/227**

(58) **Field of Classification Search** ..... D3/227,  
D3/215; 224/219, 221, 222, 269, 267, 164,  
224/901; 40/586, 633, 665, 904; 206/38.1  
See application file for complete search history.

(56) **References Cited**

**U.S. PATENT DOCUMENTS**

D300,786 S \* 4/1989 Josselyn ..... D3/227  
5,170,917 A \* 12/1992 Tourigny ..... 224/221

D341,488 S \* 11/1993 Walasek ..... D3/227  
5,400,936 A \* 3/1995 Jones et al. .... 224/222  
6,644,694 B2 \* 11/2003 Seawright ..... 224/164

\* cited by examiner

*Primary Examiner*—Catherine R. Oliver

(74) *Attorney, Agent, or Firm*—Collen IP; Donald J. Ranft

(57) **CLAIM**

The ornamental design for a map holder, as shown and described.

**DESCRIPTION**

FIG. 1 is a top view of my new and original design for a map holder;

FIG. 2 is a top view with the map extended thereof;

FIG. 3 is a rear view thereof;

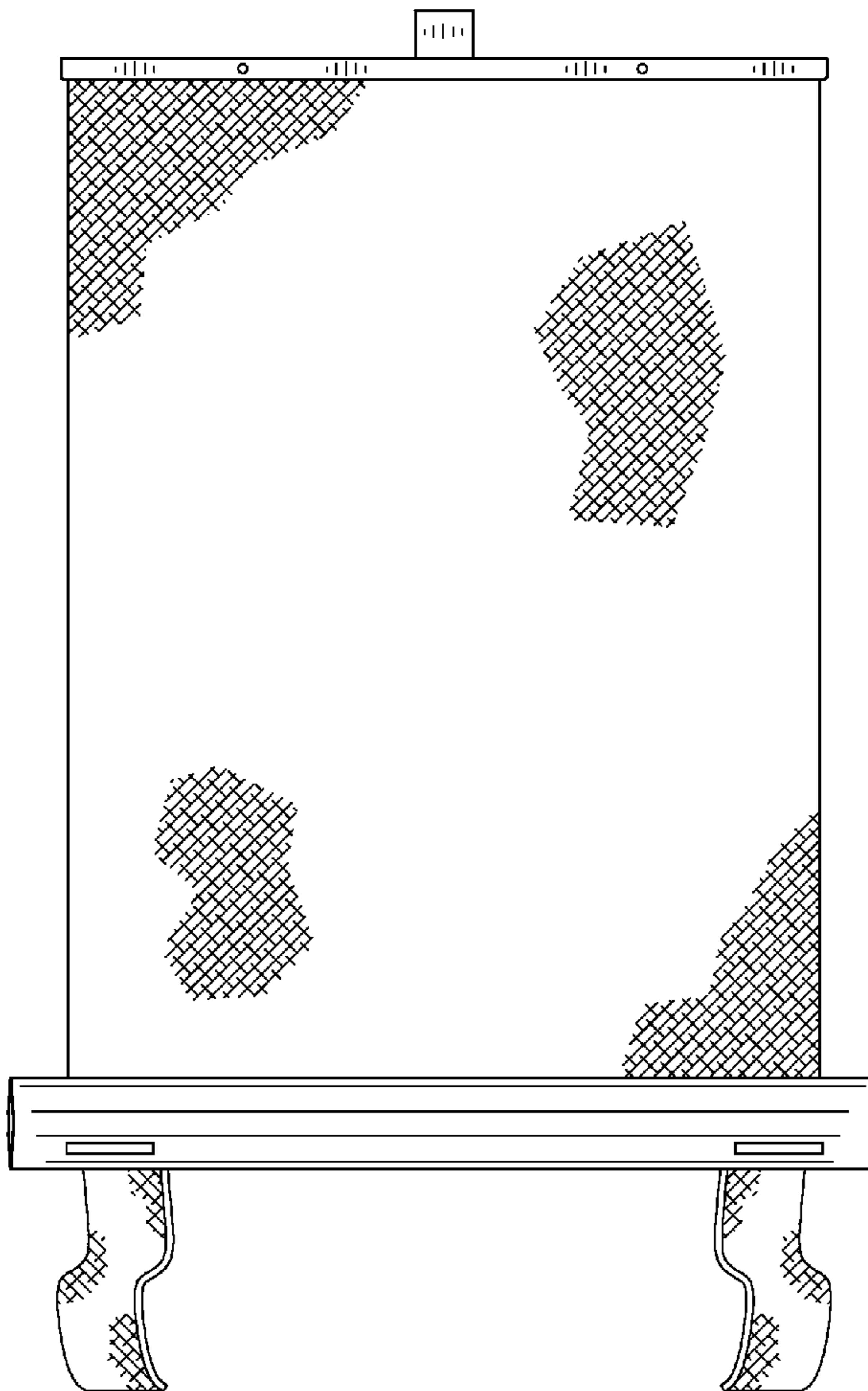
FIG. 4 is a rear perspective view thereof;

FIG. 5 is a portion of the right side rear view thereof;

FIG. 6 is a portion of the left side rear view thereof; and,

FIG. 7 is a partial rear view with map partially extended.

**1 Claim, 4 Drawing Sheets**



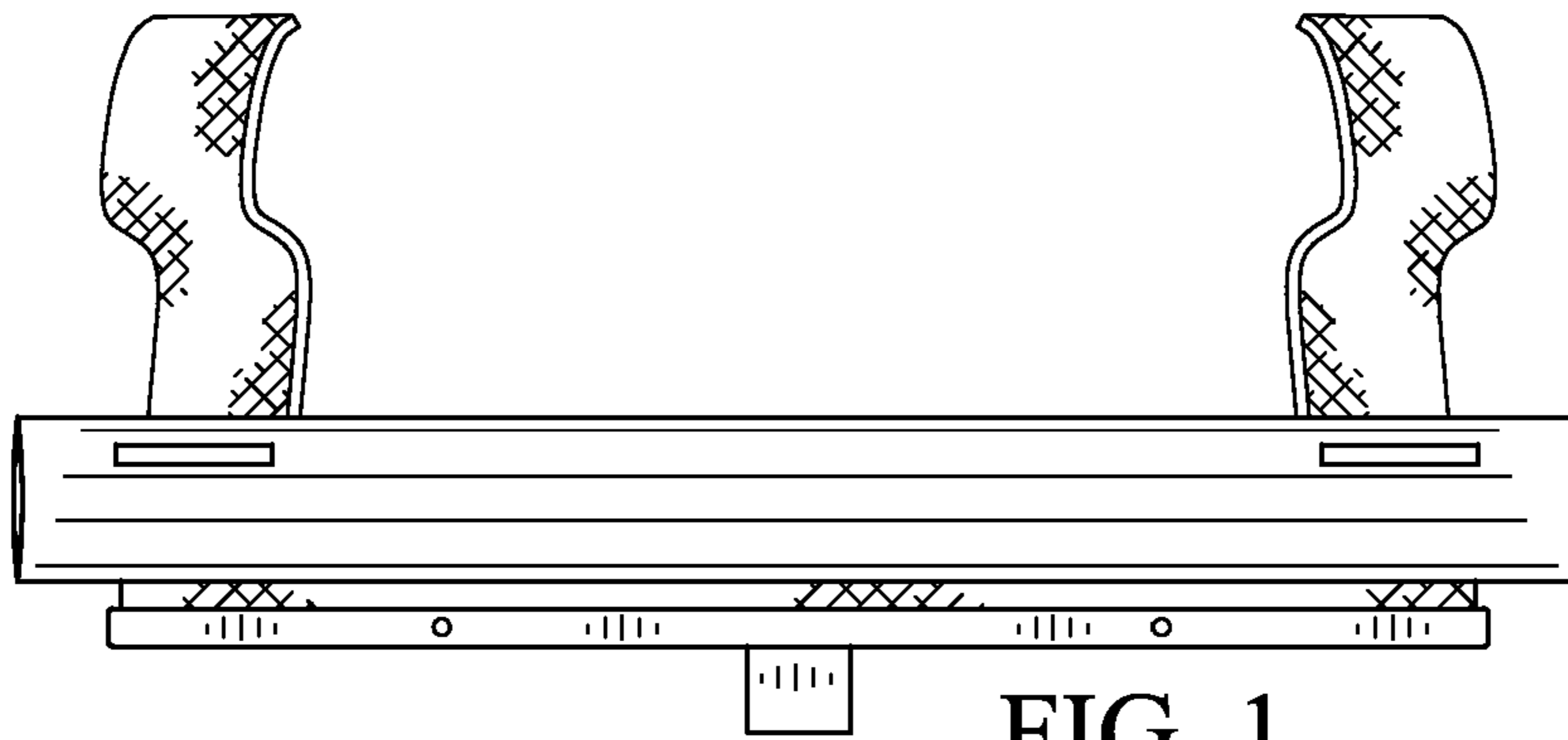


FIG. 1

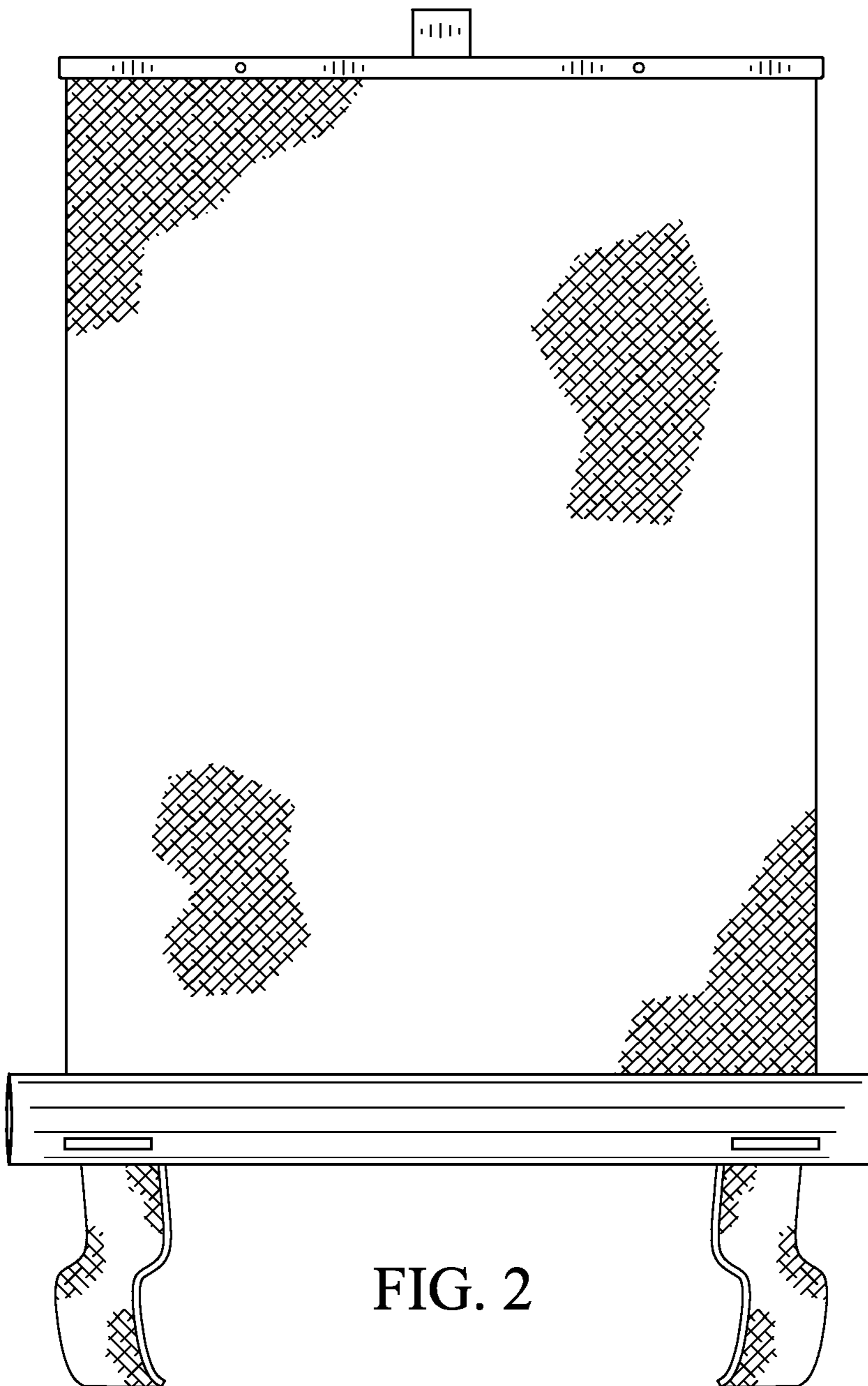


FIG. 2

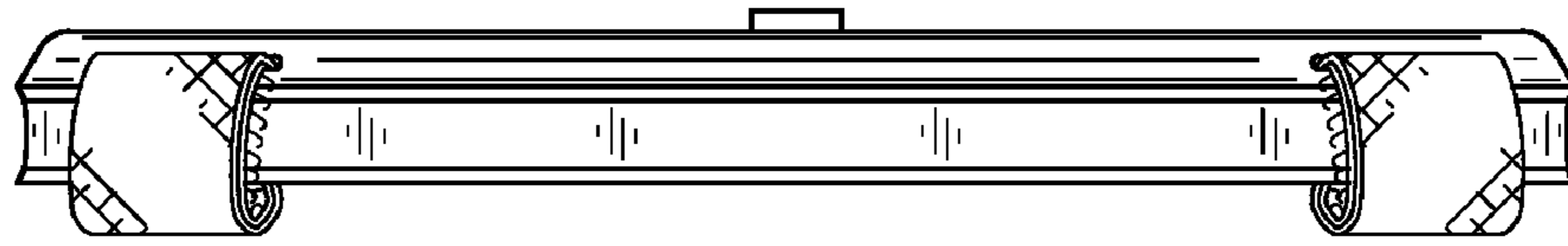


FIG. 3

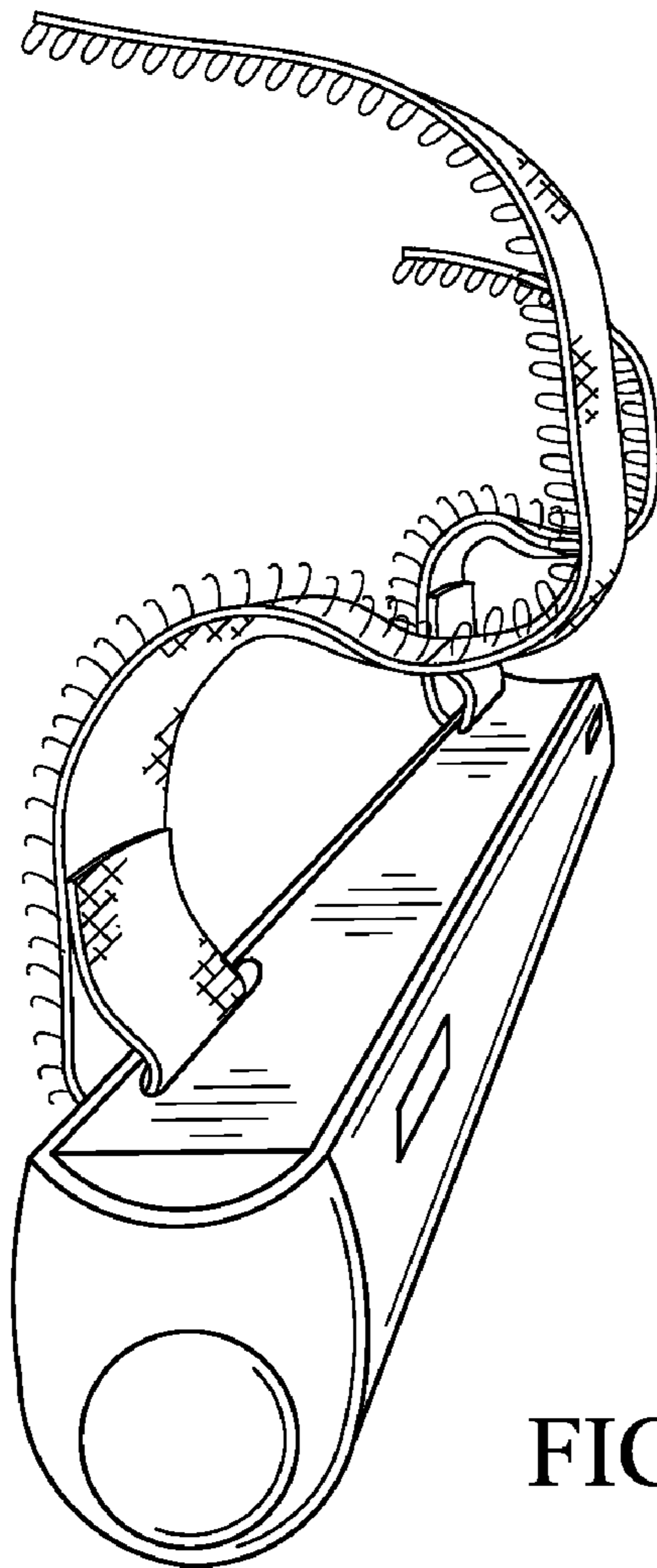


FIG. 4

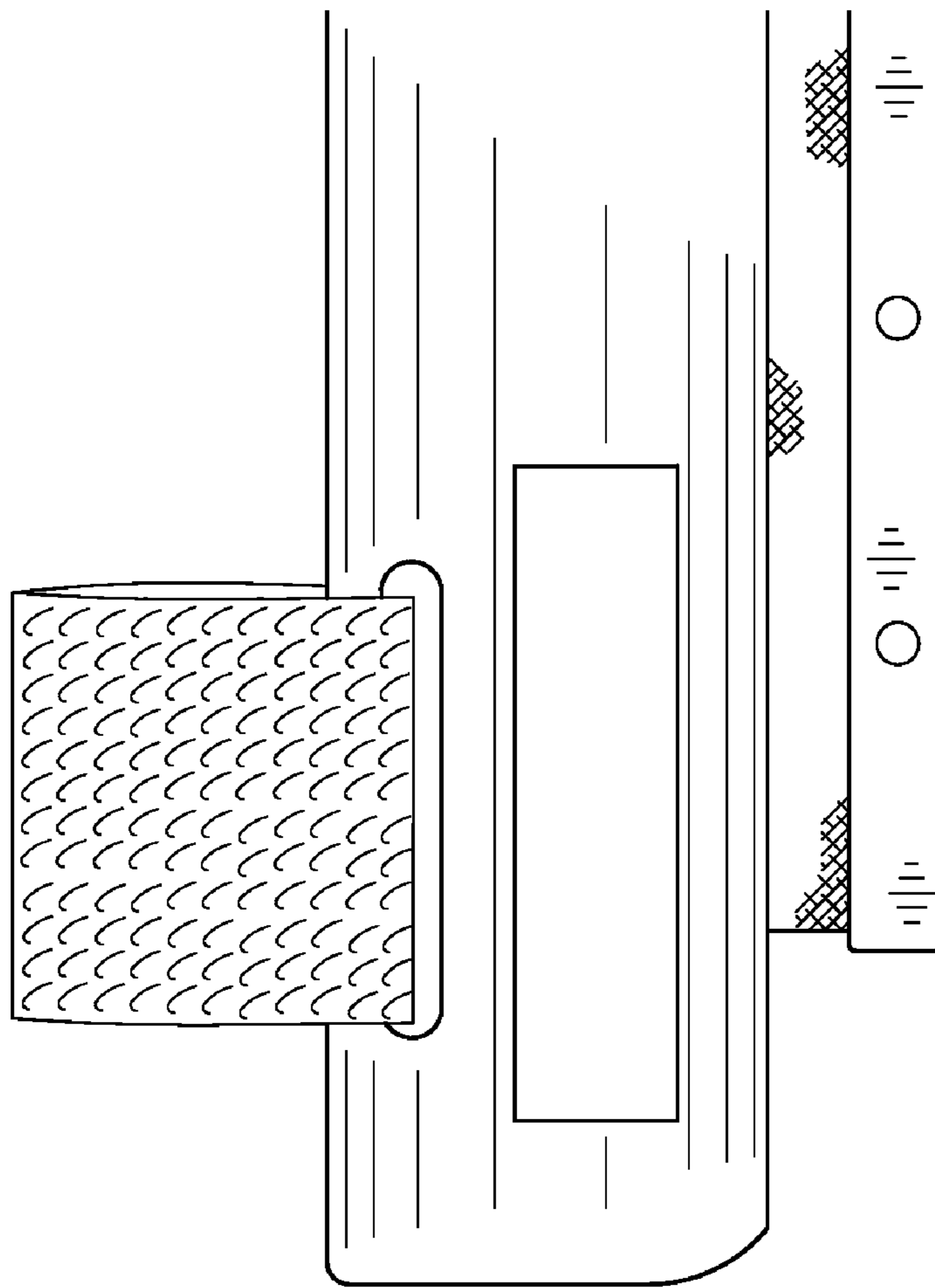


FIG. 5



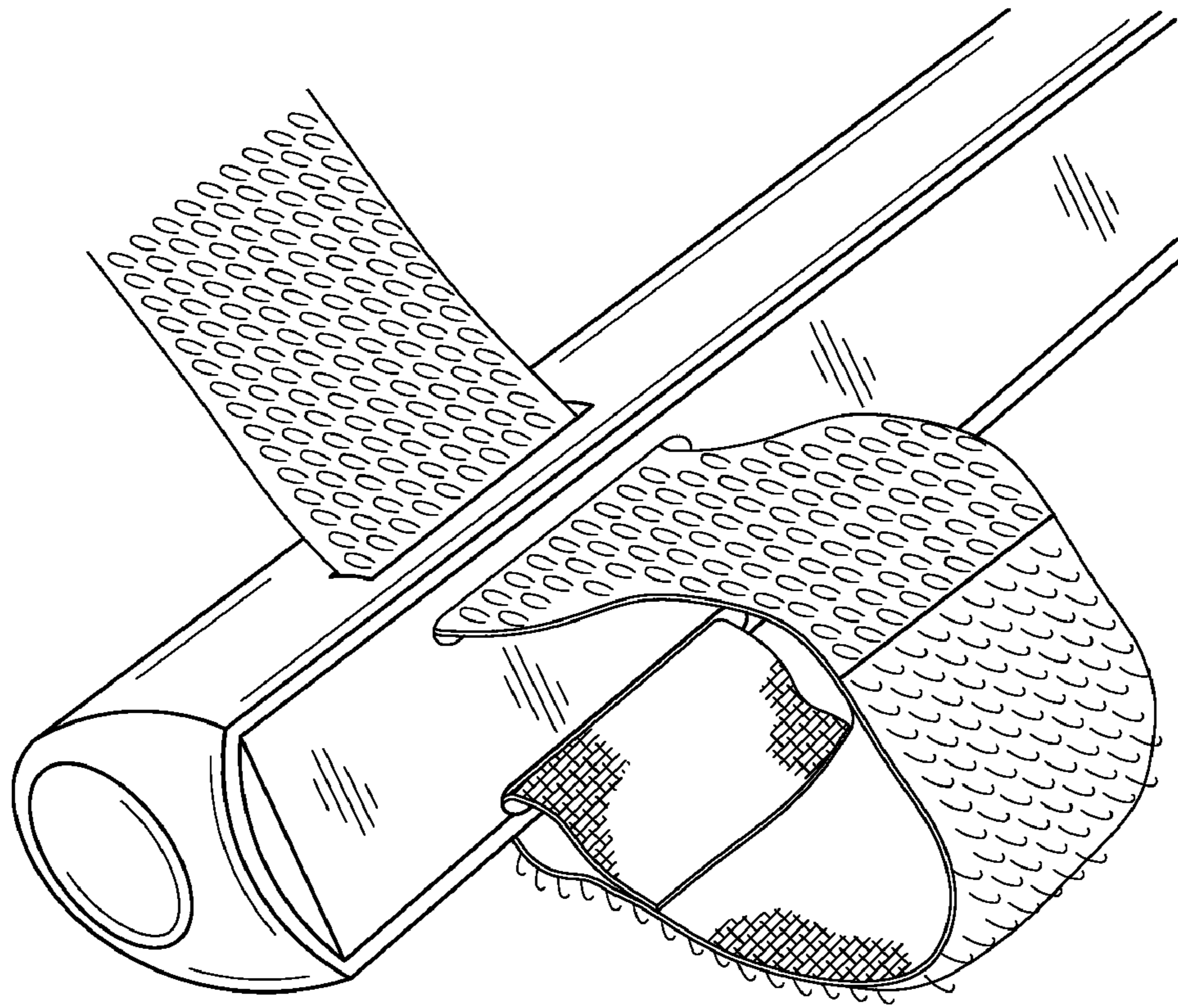


FIG. 6

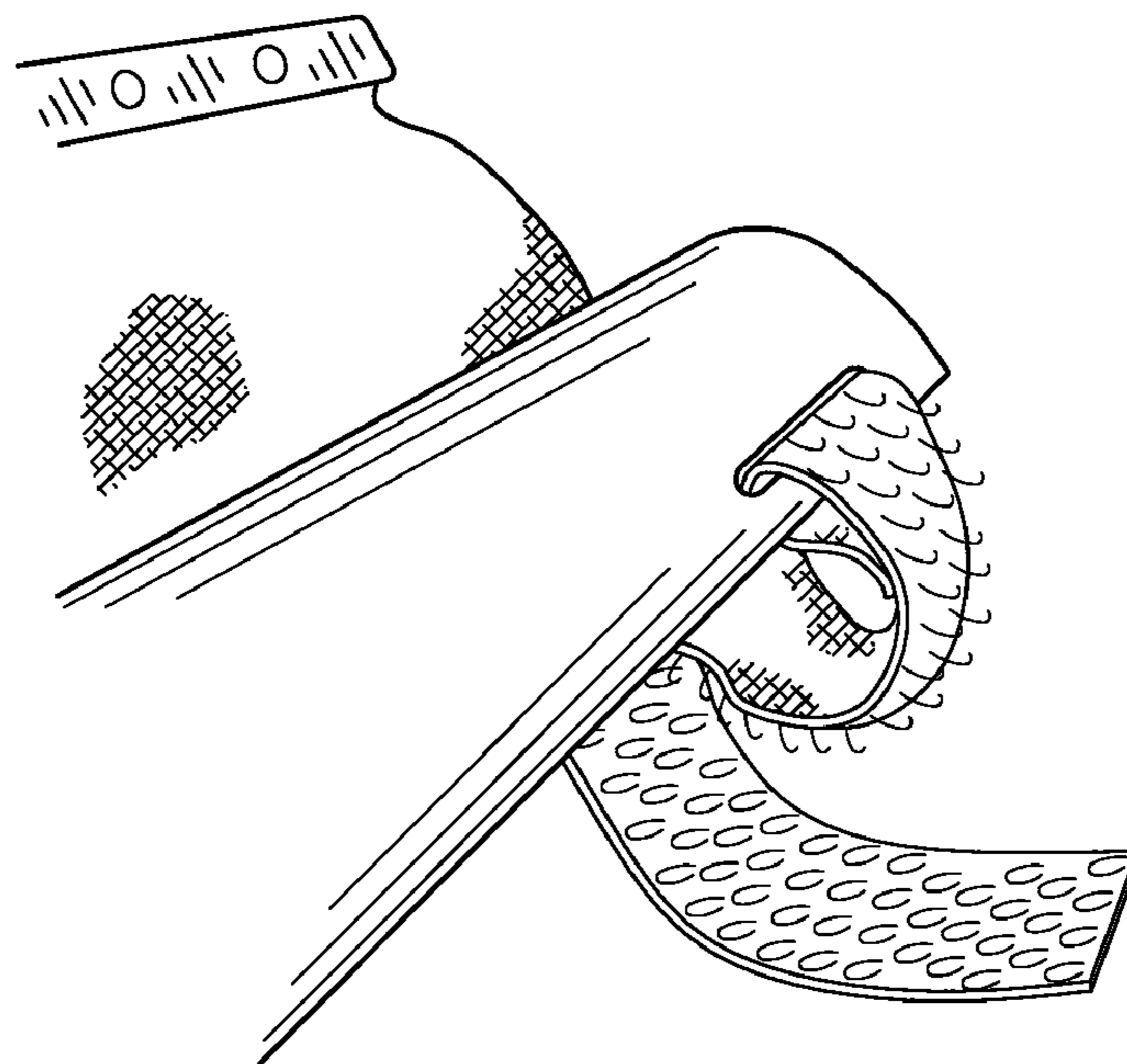


FIG. 7