



US00D571552S

(12) **United States Design Patent**  
**Chen**

(10) **Patent No.:** **US D571,552 S**

(45) **Date of Patent:** **\*\* Jun. 24, 2008**

(54) **TOOLBOX**

(76) Inventor: **Tsai-Ching Chen**, No. 202, Lane 330,  
Sec. 7, Chang Lu Road, Fu Hsing  
Shiang, Chang Hua Hsien (TW)

(\*\*) Term: **14 Years**

(21) Appl. No.: **29/279,190**

(22) Filed: **Apr. 23, 2007**

(51) **LOC (8) Cl.** ..... **03-01**

(52) **U.S. Cl.** ..... **D3/201; D3/905**

(58) **Field of Classification Search** ..... D3/201,  
D3/215, 219, 228, 315, 272-276, 283, 905;  
206/316.1, 316.2, 349, 372-379; 220/810,  
220/825, 833, 834-835

See application file for complete search history.

(56) **References Cited**

**U.S. PATENT DOCUMENTS**

D499,251 S \* 12/2004 Chen et al. .... D3/219

D502,316 S \* 3/2005 Chen ..... D3/273

D502,598 S \* 3/2005 Chen ..... D3/273

D505,780 S \* 6/2005 Ko et al. .... D3/206  
D509,656 S \* 9/2005 Pangerc et al. .... D3/294  
2006/0118446 A1 \* 6/2006 Liu ..... 206/373

\* cited by examiner

*Primary Examiner*—Catherine R. Oliver

(74) *Attorney, Agent, or Firm*—Alan Kamrath; Kamrath &  
Associates PA

(57) **CLAIM**

The ornamental design for toolbox, as shown and described.

**DESCRIPTION**

FIG. 1 is a perspective view of a toolbox showing my new design;

FIG. 2 is a front view thereof;

FIG. 3 is a rear view thereof;

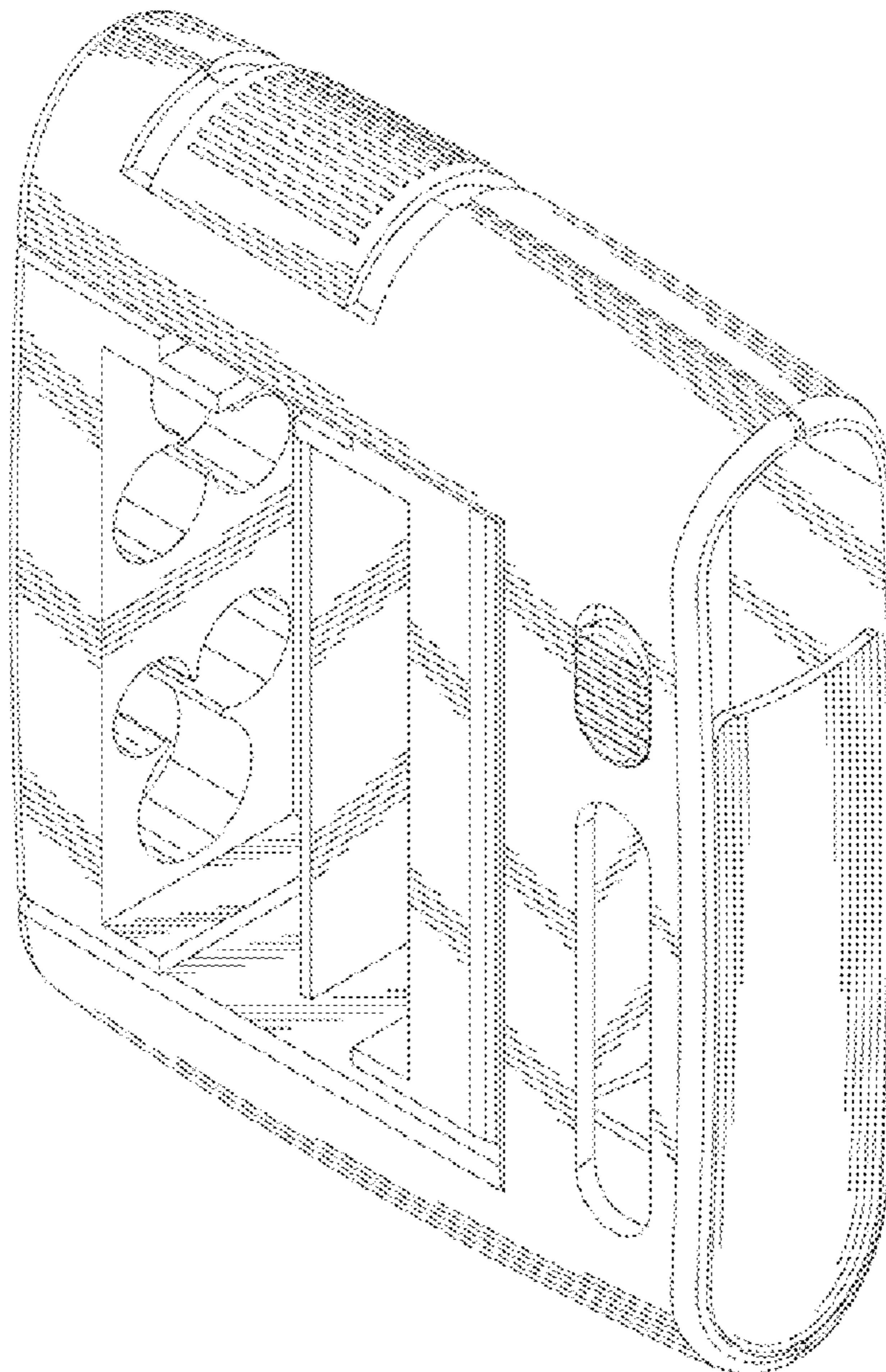
FIG. 4 is a left view thereof;

FIG. 5 is a right view thereof;

FIG. 6 is a top view thereof; and,

FIG. 7 is a bottom view thereof.

**1 Claim, 5 Drawing Sheets**



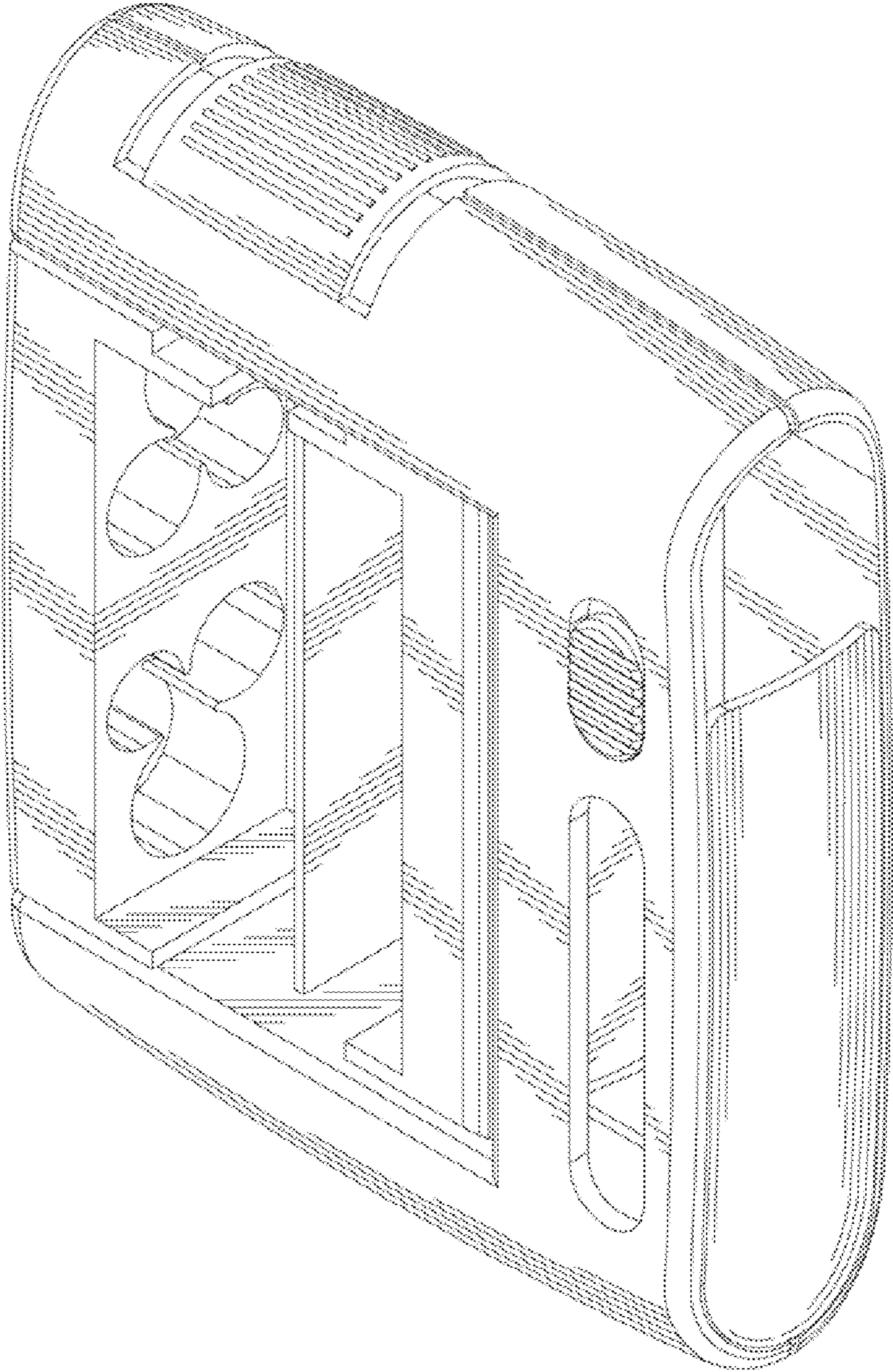


Fig. 1



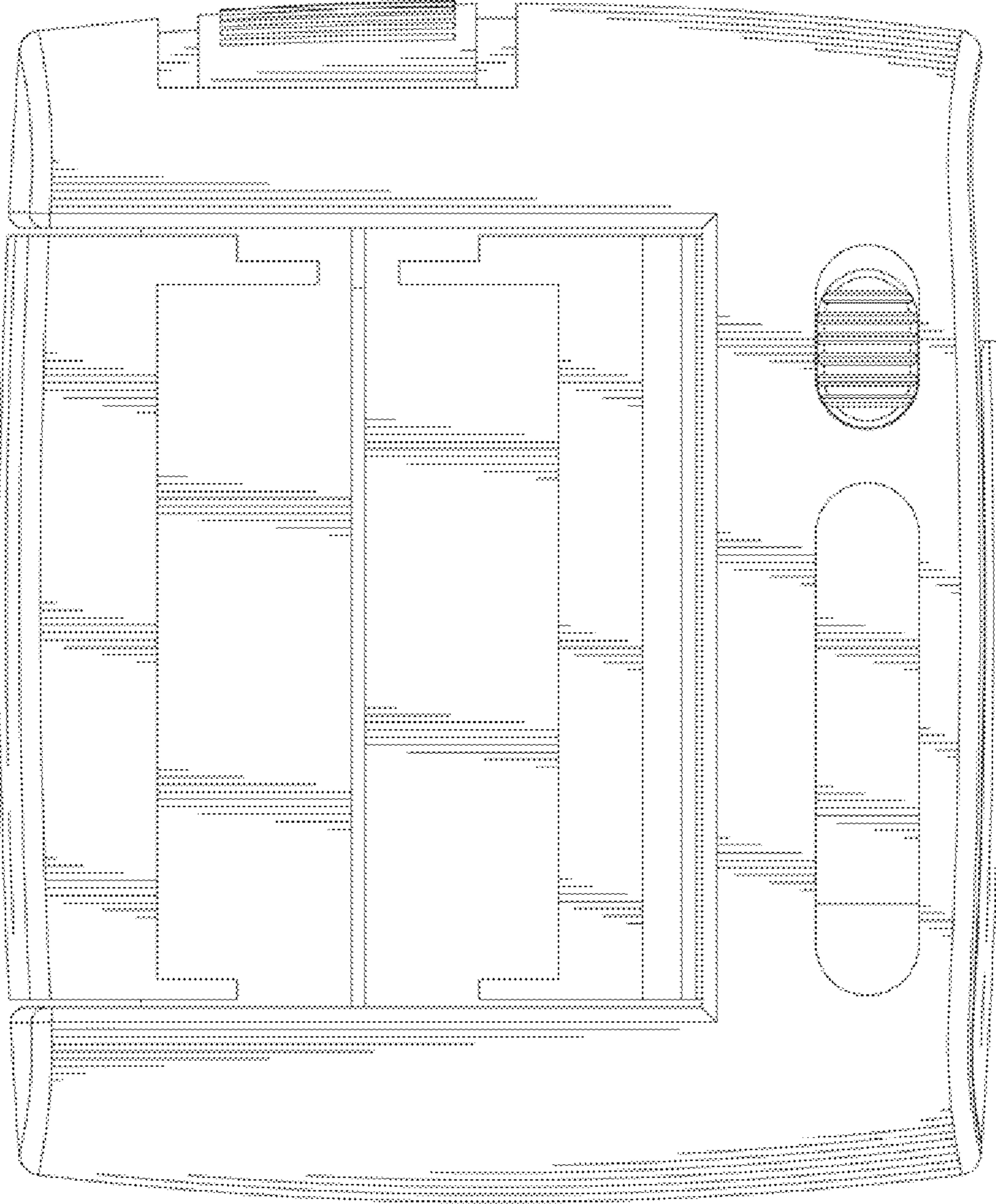


Fig. 2

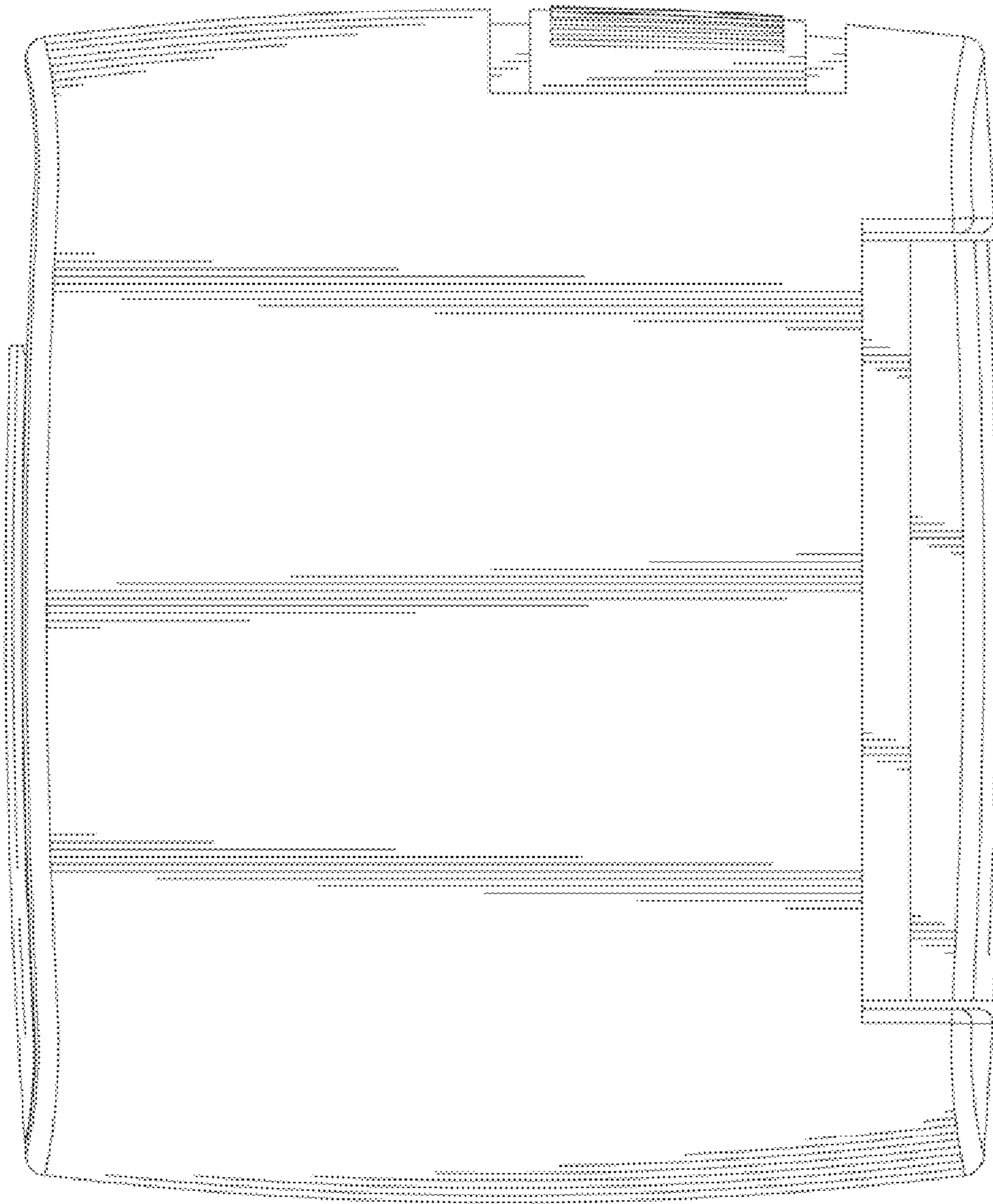


Fig. 3

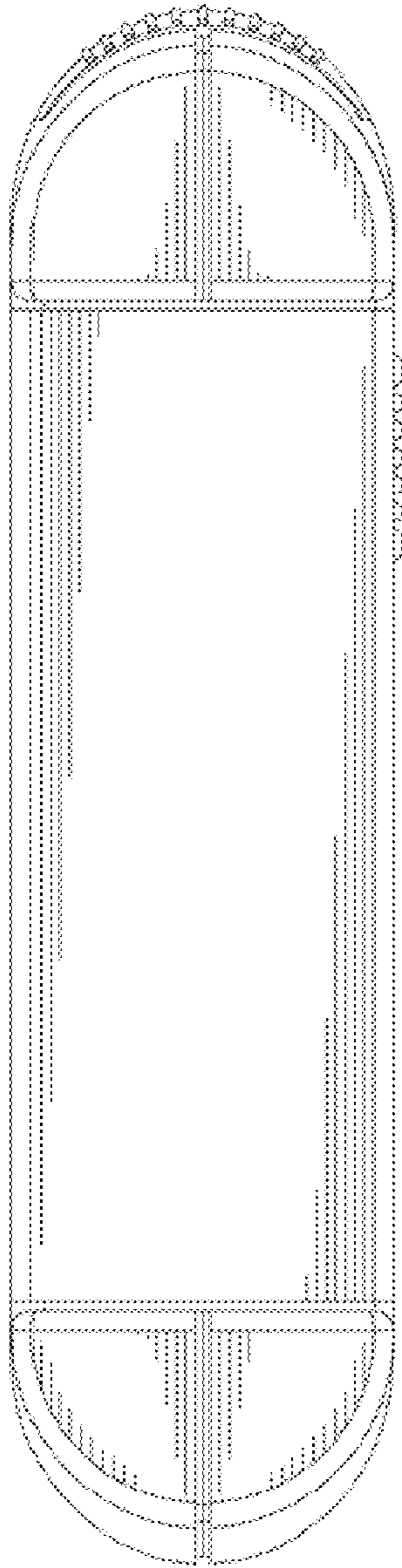


Fig. 4

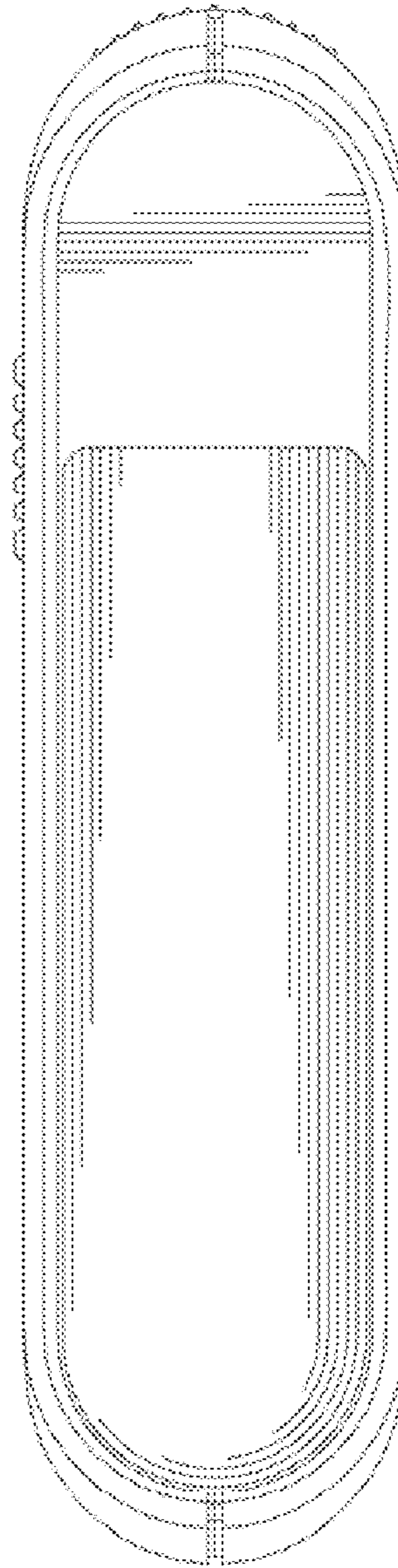


Fig. 5

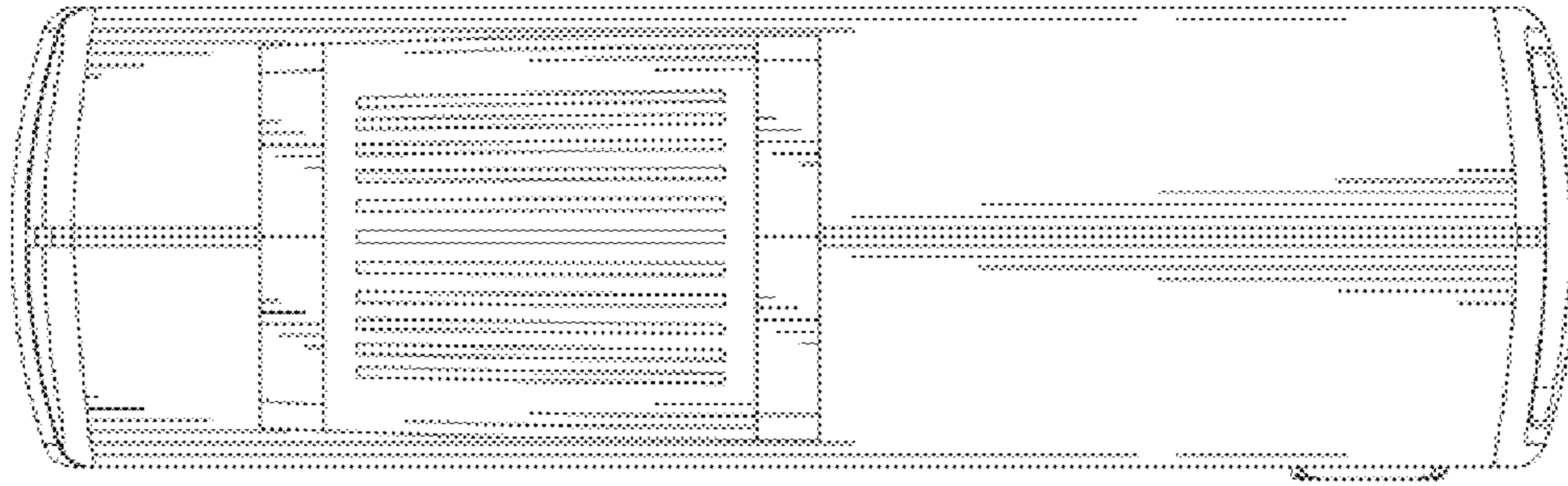


Fig. 6

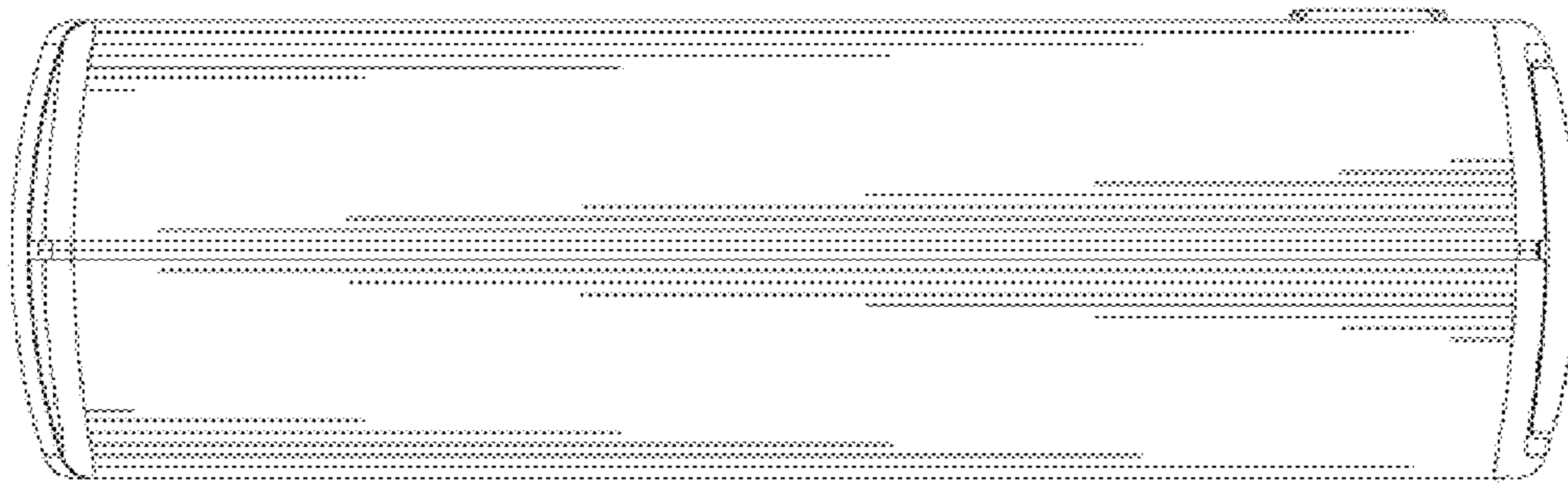


Fig. 7