



US00D571551S

(12) **United States Design Patent**  
**McCarthy et al.**

(10) **Patent No.:** **US D571,551 S**  
(45) **Date of Patent:** **\*\* Jun. 24, 2008**

(54) **OUTSOLE AND MIDSOLE FOR A SHOE**

(75) Inventors: **Dan McCarthy**, Carlsbad, CA (US);  
**Joseph Abadjian**, Pasadena, CA (US);  
**Jungho Seo**, San Diego, CA (US)

(73) Assignee: **DC Shoes, Inc.**, Vista, CA (US)

(\*\*) Term: **14 Years**

(21) Appl. No.: **29/261,062**

(22) Filed: **Jun. 6, 2006**

(51) **LOC (8) Cl.** ..... **02-99**

(52) **U.S. Cl.** ..... **D2/977**

(58) **Field of Classification Search** ..... D2/902,  
D2/906-908, 943, 944, 969, 972-974, 945,  
D2/946, 977; 36/45, 77 M, 77 R, 83, 113,  
36/114, 126-131

See application file for complete search history.

(56) **References Cited**

**U.S. PATENT DOCUMENTS**

- D296,035 S \* 6/1988 Le ..... D2/977
- D310,442 S 9/1990 Hatfield
- D312,917 S \* 12/1990 Hatfield ..... D2/977
- D323,418 S \* 1/1992 Hatfield ..... D2/977
- D324,131 S 2/1992 Lucas
- D328,385 S \* 8/1992 Hatfield ..... D2/977

- D341,700 S \* 11/1993 Avar ..... D2/977
- D498,914 S 11/2004 Sokolowski
- D499,248 S 12/2004 Sokolowski
- D499,541 S \* 12/2004 Dolan ..... D2/977
- D511,618 S 11/2005 McDowell et al.
- D534,345 S \* 1/2007 Dojan et al. .... D2/977
- D534,346 S \* 1/2007 Dojan et al. .... D2/977

**OTHER PUBLICATIONS**

“88 Footwear,” shoe catalog, p. 17, 2005.

\* cited by examiner

*Primary Examiner*—Dominic Simone

(57) **CLAIM**

The ornamental design for an outsole and midsole for a shoe, as shown and described.

**DESCRIPTION**

FIG. 1 is a side view of shoe showing our design;

FIG. 2 is another side view thereof;

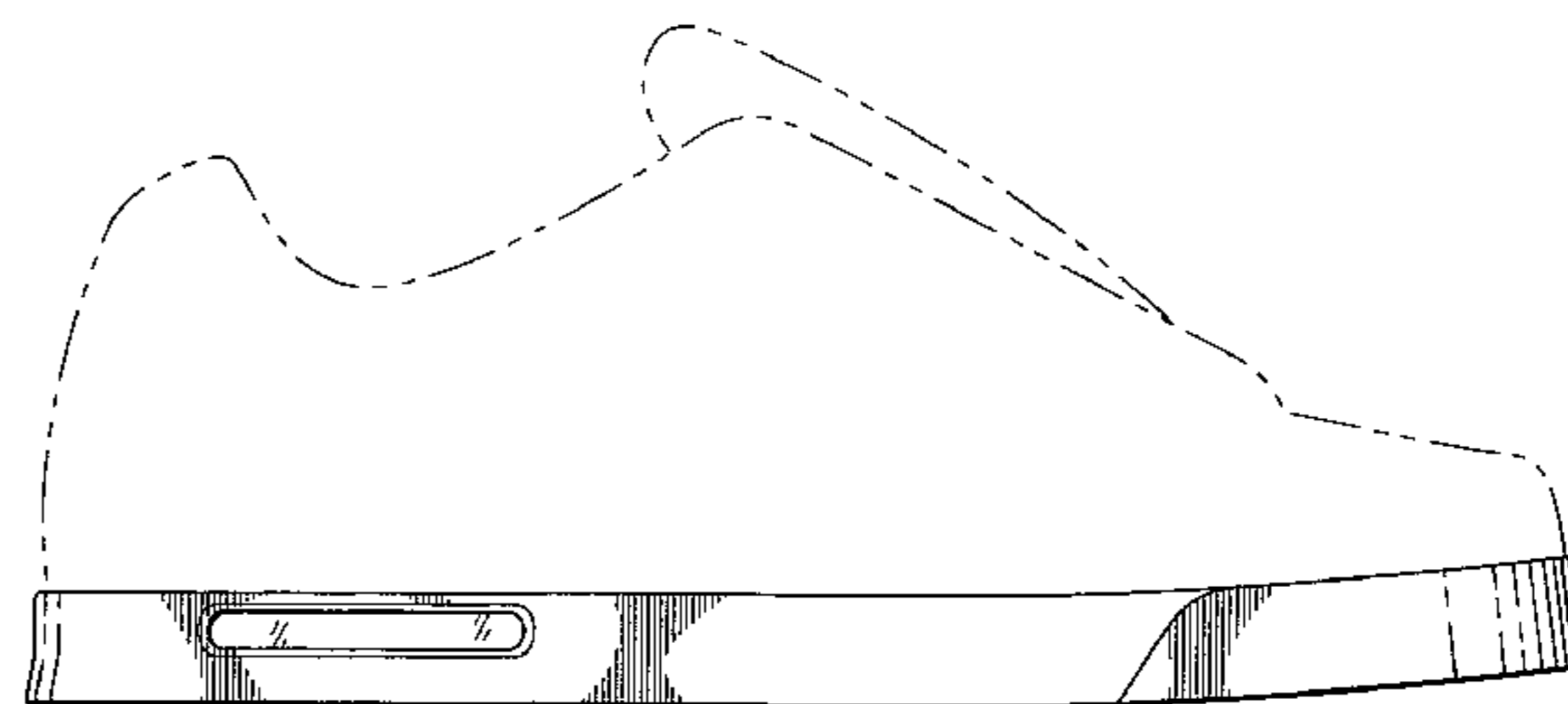
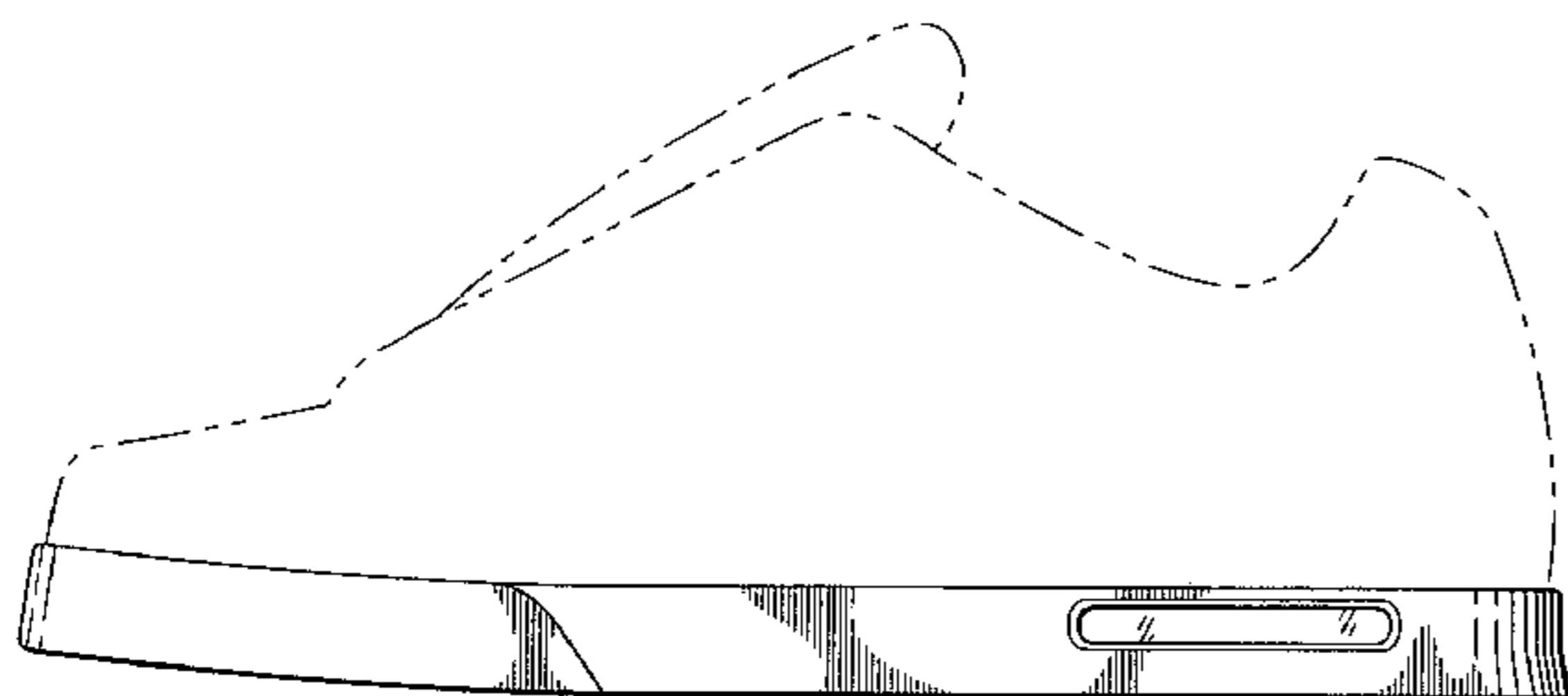
FIG. 3 is a bottom plan view thereof;

FIG. 4 is a front perspective view thereof; and,

FIG. 5 is a rear perspective view thereof.

The broken lines are shown for illustrative purposes only and form no part of the claimed design.

**1 Claim, 2 Drawing Sheets**



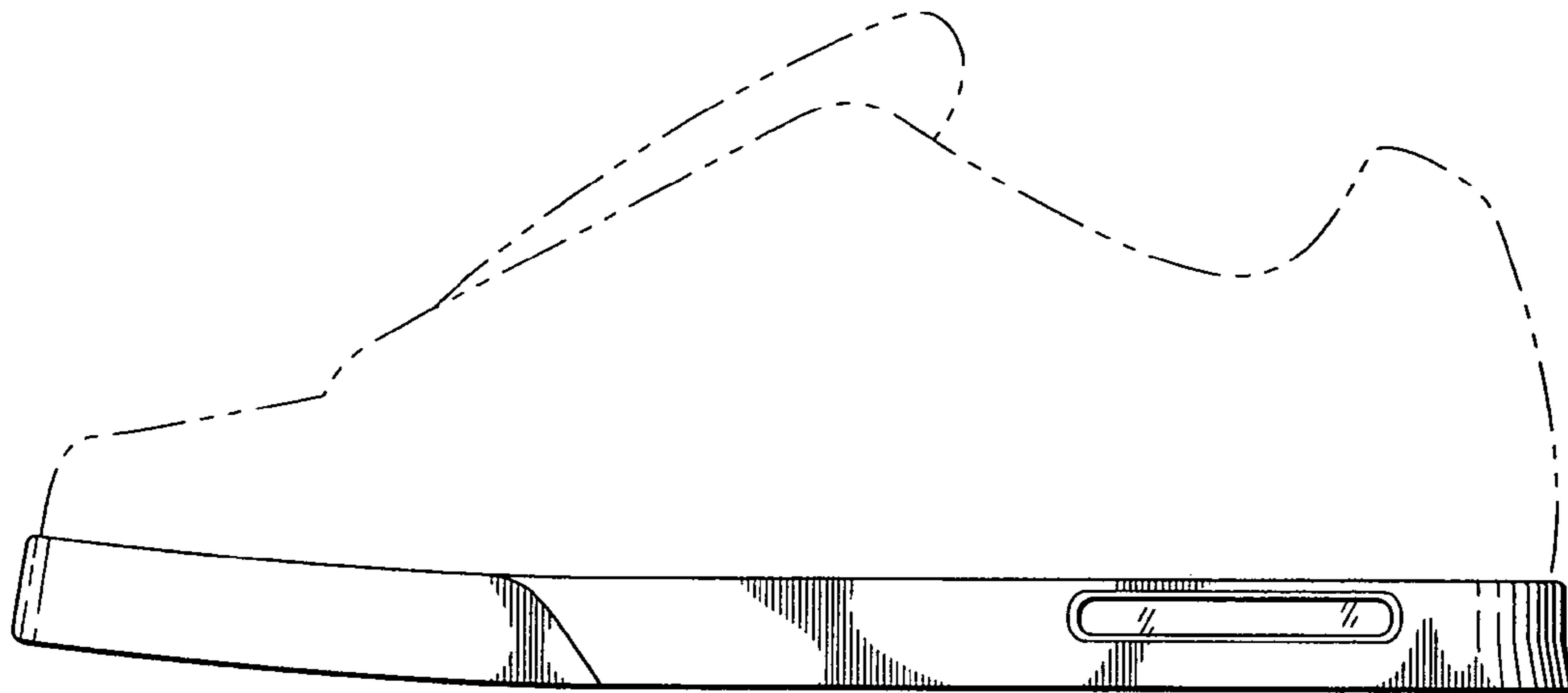


FIG. 1

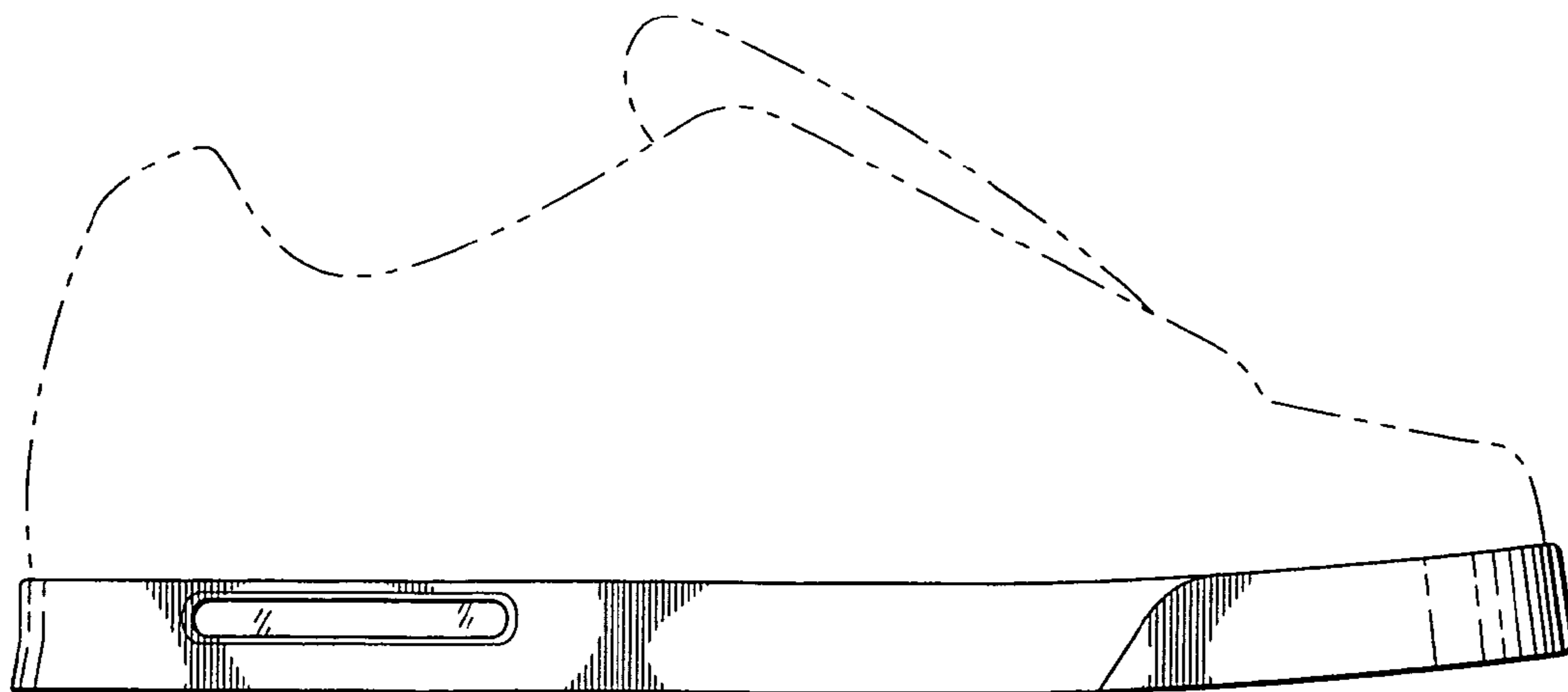
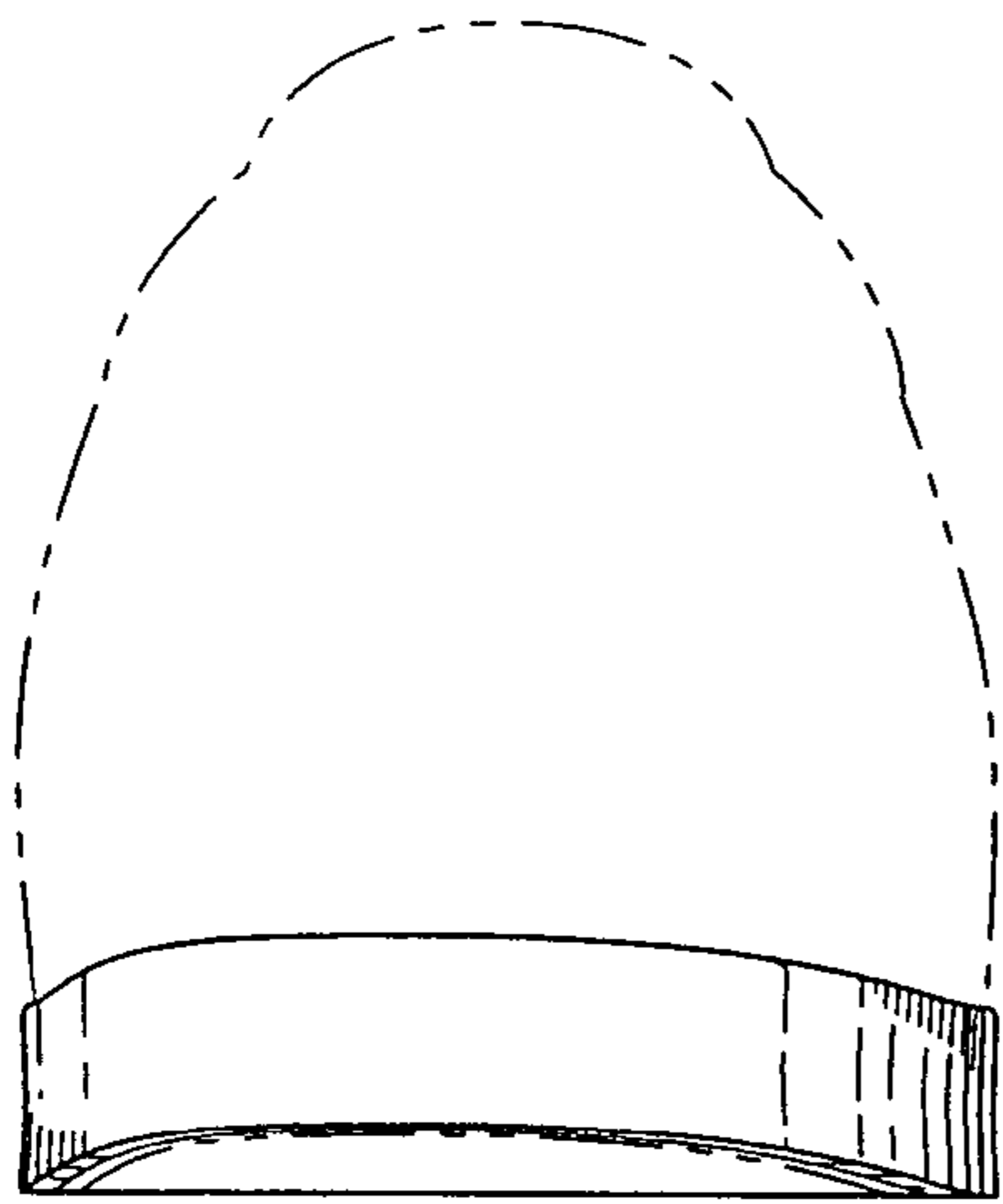
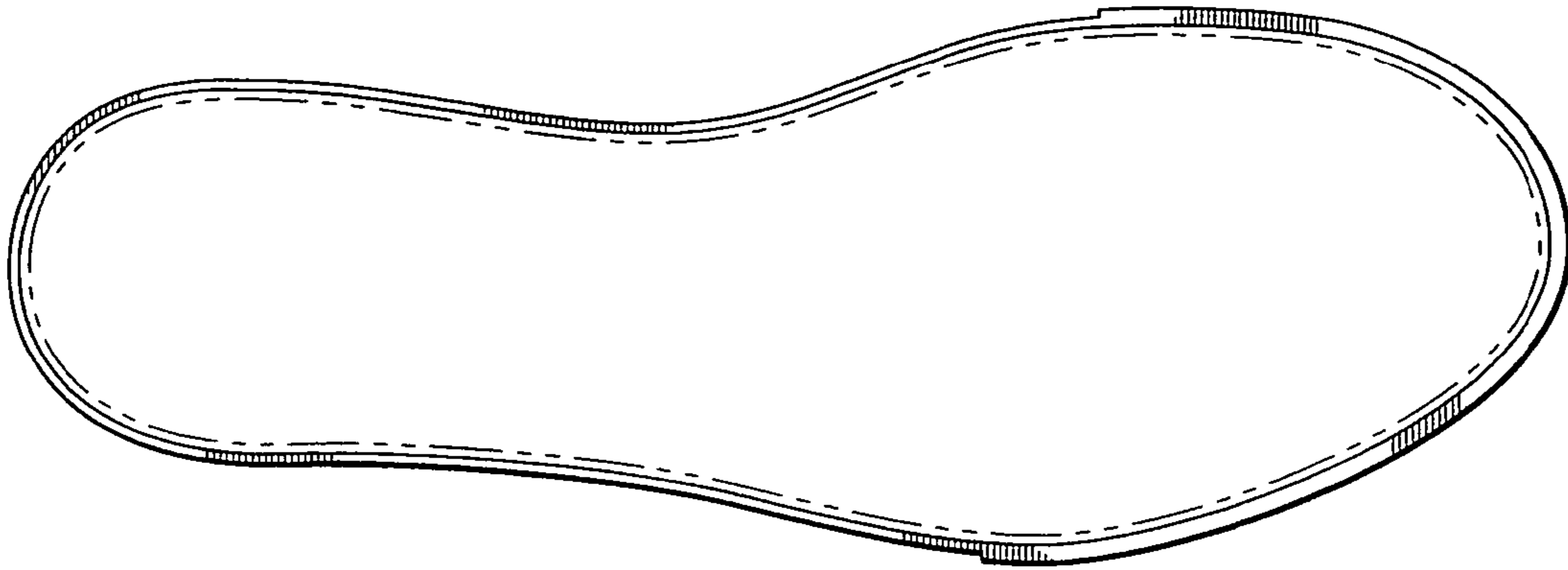
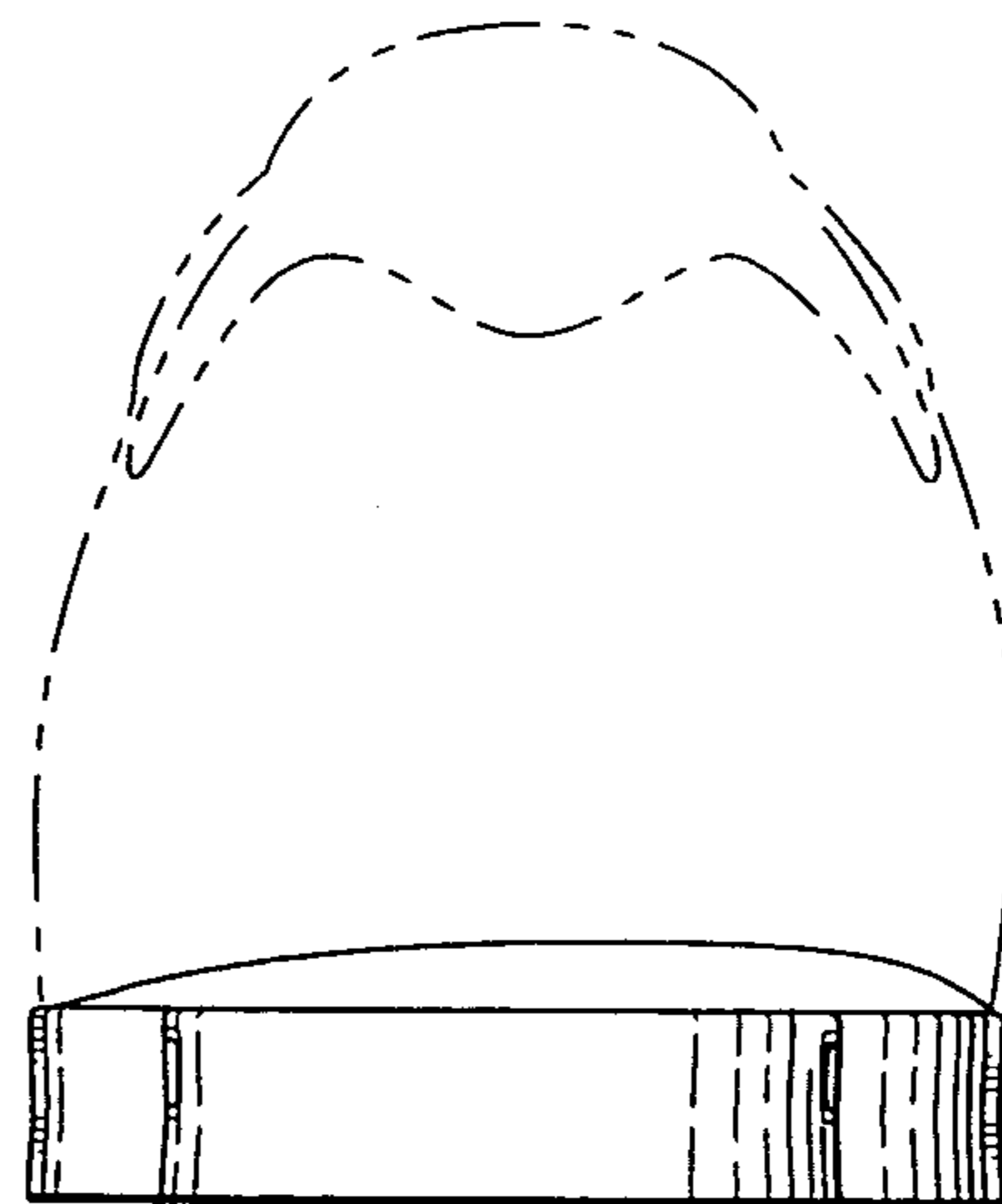


FIG. 2

*FIG. 3*



*FIG. 4*



*FIG. 5*